



US00D827403S

(12) **United States Design Patent**  
**Fritz et al.**

(10) **Patent No.:** **US D827,403 S**

(45) **Date of Patent:** **\*\* Sep. 4, 2018**

- (54) **WIRE STRIPPER**
- (71) Applicants: **Seth D Fritz**, Waxahachie, TX (US);  
**Michael K Walker**, Irving, TX (US)
- (72) Inventors: **Seth D Fritz**, Waxahachie, TX (US);  
**Michael K Walker**, Irving, TX (US)
- (73) Assignee: **KLEIN TOOLS, INC.**, Lincolnshire,  
IL (US)

- 5,535,519 A \* 7/1996 Brimmer ..... H02G 1/1214  
30/90.1
- 5,669,132 A \* 9/1997 Brimmer ..... H02G 1/1214  
29/426.4
- D421,376 S \* 3/2000 Neff ..... D8/58
- 6,234,050 B1 \* 5/2001 Konen ..... B25B 7/00  
81/417
- 6,588,039 B1 \* 7/2003 Bates ..... B25B 7/02  
7/107

(\*\*) Term: **15 Years**

(21) Appl. No.: **29/602,203**

(22) Filed: **Apr. 28, 2017**

(51) **LOC (11) Cl.** ..... **08-05**

(52) **U.S. Cl.**  
USPC ..... **D8/52**

(58) **Field of Classification Search**  
USPC ..... D8/4, 5, 51-60, 105, 107  
CPC .. H02G 1/1204; H02G 1/1207; H02G 1/1209;  
H02G 1/1221; H02G 1/1236  
See application file for complete search history.

(56) **References Cited**

**U.S. PATENT DOCUMENTS**

- 2,940,343 A \* 6/1960 Hindenburg ..... H02G 1/1214  
30/91.2
- D213,848 S \* 4/1969 Hindenburg ..... D8/56
- D215,810 S \* 11/1969 Hindenburg ..... D8/58
- 3,525,107 A \* 8/1970 Hays ..... H01R 43/042  
7/107
- 3,831,207 A \* 8/1974 Boyajian ..... B25B 7/02  
7/107
- 3,871,078 A \* 3/1975 Ogle ..... B25B 7/22  
30/90.1
- 3,947,905 A \* 4/1976 Neff ..... B25B 7/22  
7/107
- D327,826 S \* 7/1992 Neff ..... D8/52
- 5,323,502 A \* 6/1994 Miller ..... H02G 1/1214  
30/90.6

(Continued)

*Primary Examiner* — Deanna L Pratt

(74) *Attorney, Agent, or Firm* — Peter D. Papavasiliou

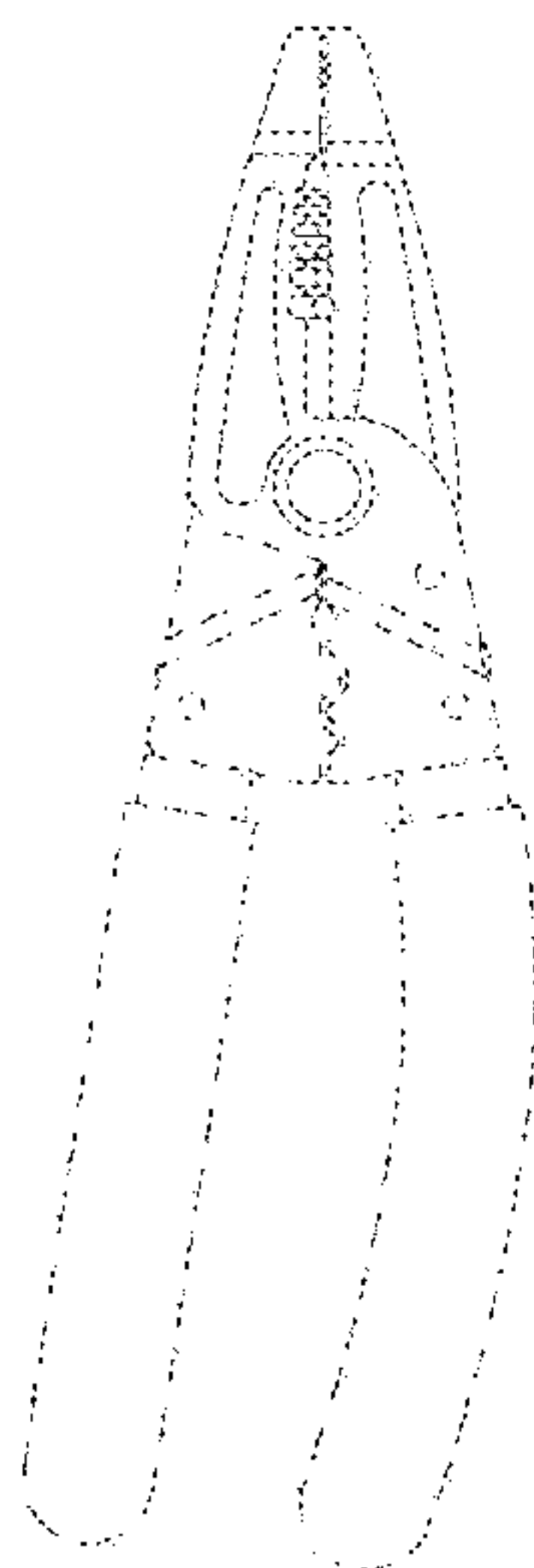
(57) **CLAIM**

The ornamental design for a wire stripper, as shown and described.

**DESCRIPTION**

FIG. 1 is a bottom right front side perspective view of a wire stripper having the inventive design;  
 FIG. 2 is a front orthogonal view of the wire stripper shown in FIG. 1;  
 FIG. 3 is a right orthogonal view of the wire stripper shown in FIG. 1;  
 FIG. 4 is a bottom left front side perspective view of the wire stripper shown in FIG. 1;  
 FIG. 5 is a left orthogonal view of the wire stripper shown in FIG. 1;  
 FIG. 6 is a bottom orthogonal view of the wire stripper shown in FIG. 1;  
 FIG. 7 is a top orthogonal view of the wire stripper shown in FIG. 1;  
 FIG. 8 is a rear orthogonal view of a wire stripper having the inventive design; and,  
 FIG. 9 is a bottom left rear side perspective view of the wire stripper shown in FIG. 9.  
 The broken lines illustrate portions of the wire stripper that form no part of the claimed design.

**1 Claim, 8 Drawing Sheets**



(56)

**References Cited**

U.S. PATENT DOCUMENTS

6,619,158 B2 \* 9/2003 Bates ..... H02G 1/1214  
30/90.1  
D485,146 S \* 1/2004 Rivera ..... D8/105  
6,687,991 B2 \* 2/2004 Murg ..... H02G 1/1214  
29/234  
8,667,874 B2 \* 3/2014 Steele ..... B25B 7/02  
81/318  
9,415,485 B2 \* 8/2016 Steele ..... B25B 7/02  
D771,459 S \* 11/2016 Liu ..... D8/52  
D801,771 S \* 11/2017 Wu ..... D8/52  
D817,132 S \* 5/2018 Yang ..... D8/52  
2003/0014867 A1 \* 1/2003 Lawler ..... H02G 1/1229  
30/90.1  
2006/0005315 A1 \* 1/2006 Konen ..... H02G 1/1214  
7/107  
2016/0181772 A1 \* 6/2016 Liao ..... H02G 1/1214  
7/107  
2016/0294168 A1 \* 10/2016 Hoppe ..... B25B 7/02

\* cited by examiner

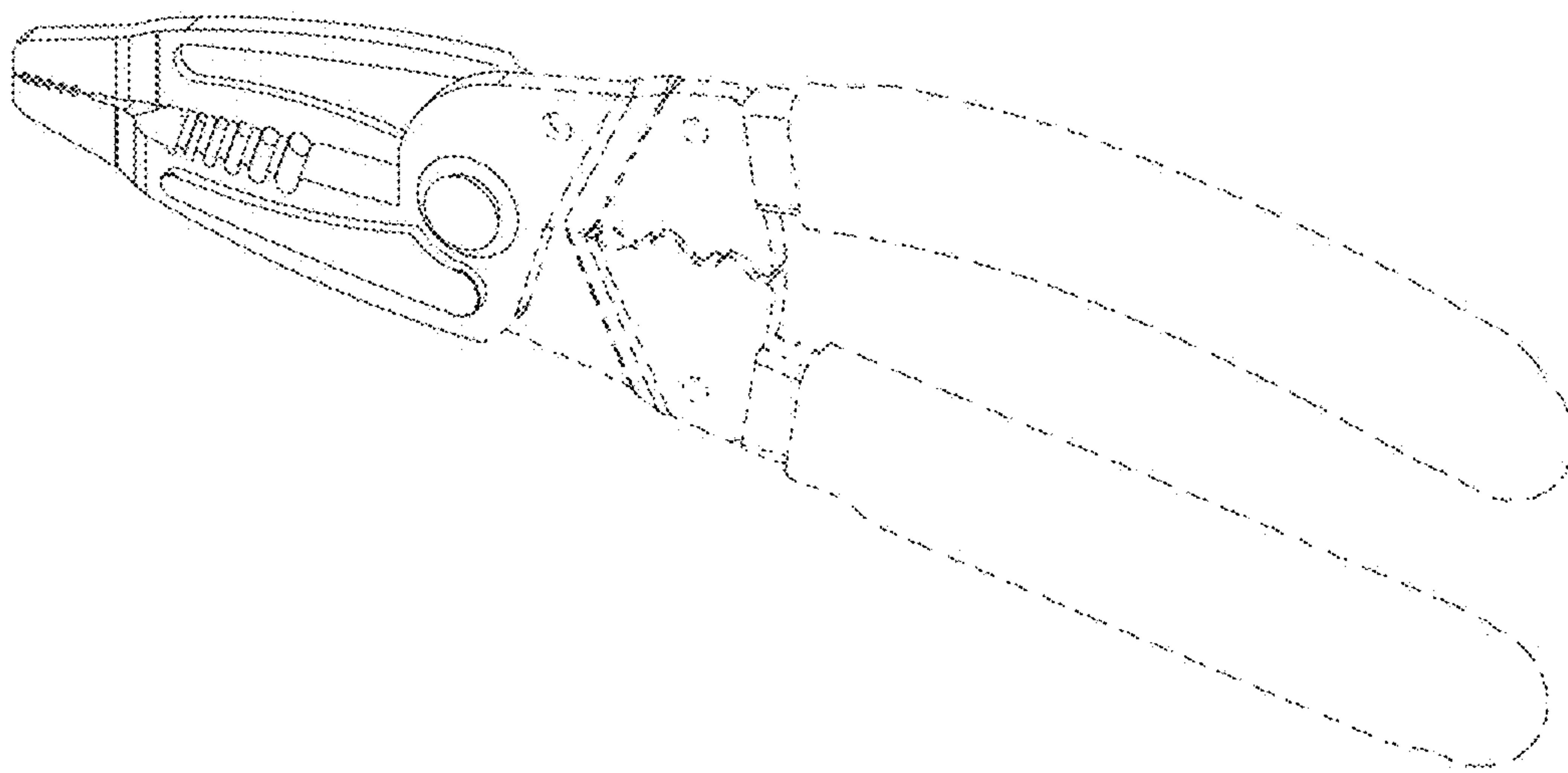


FIG. 1

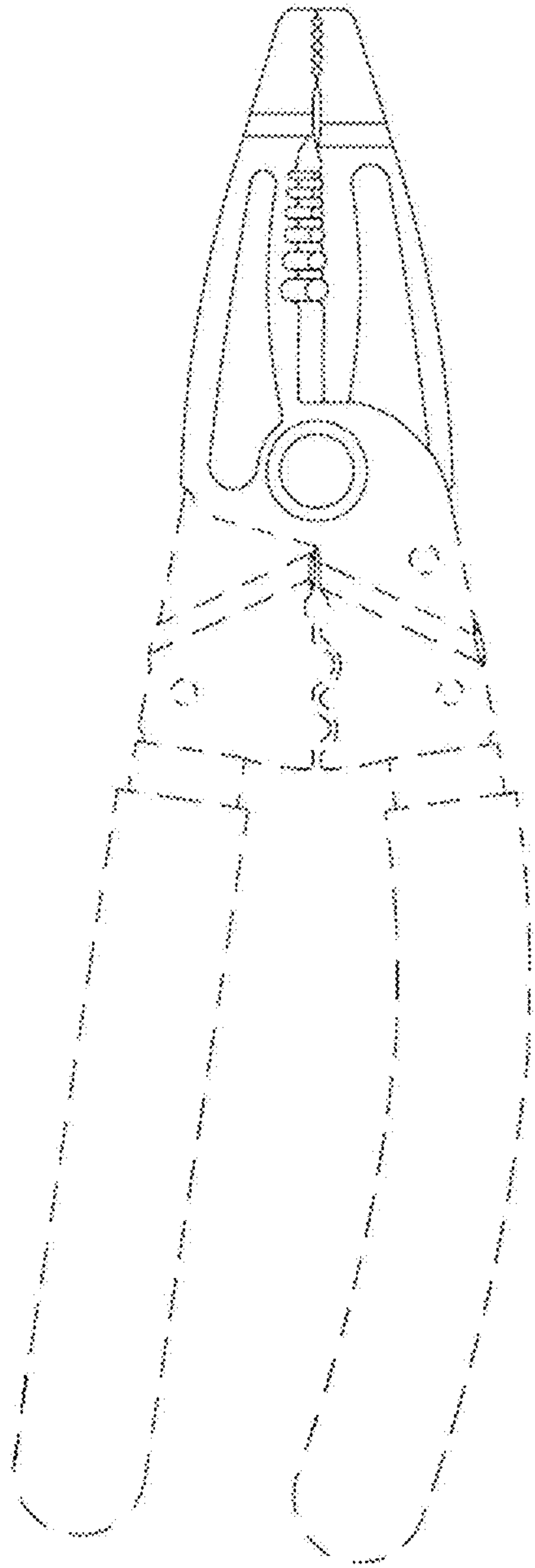


FIG. 2



FIG. 3

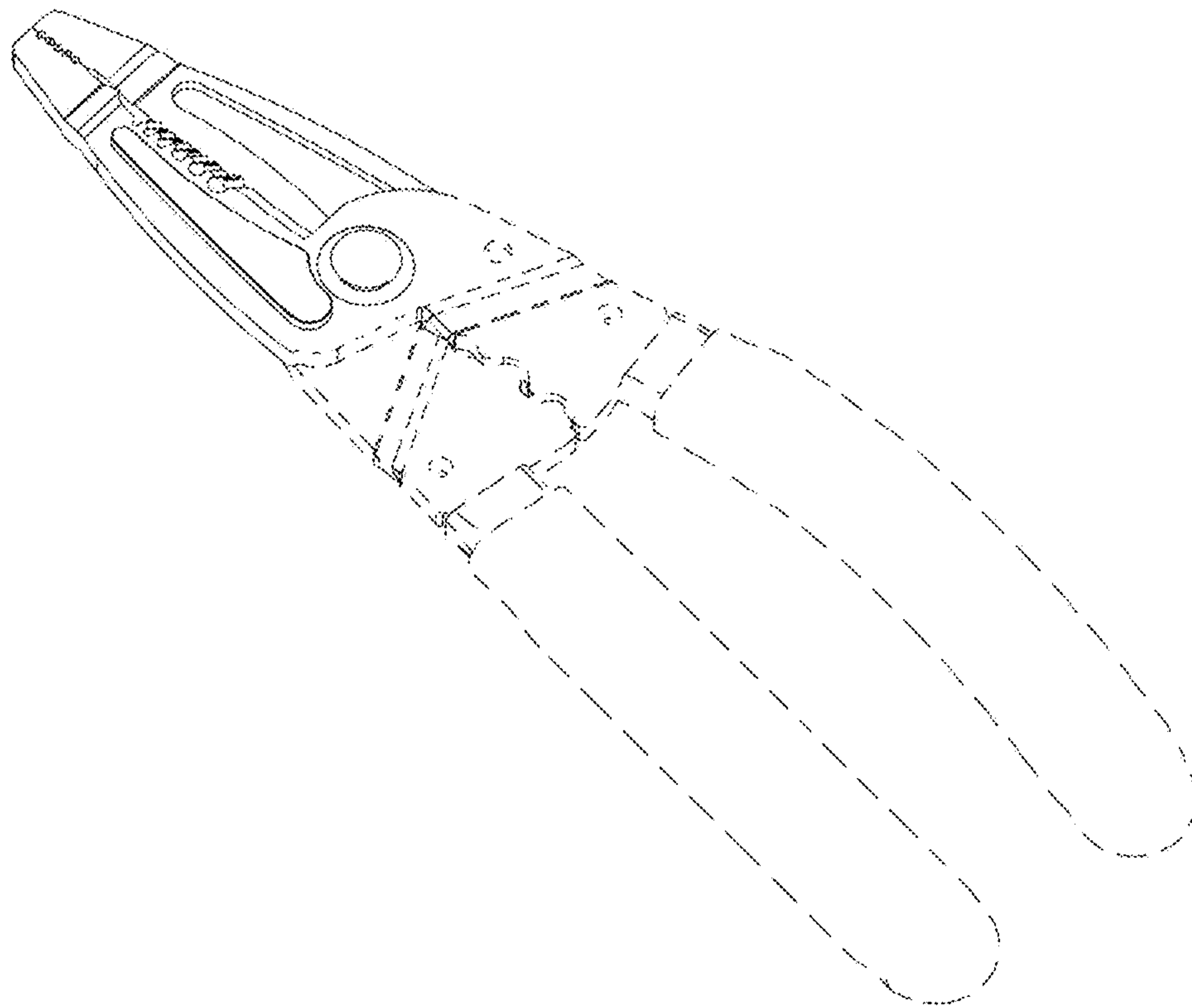


FIG. 4



FIG. 5

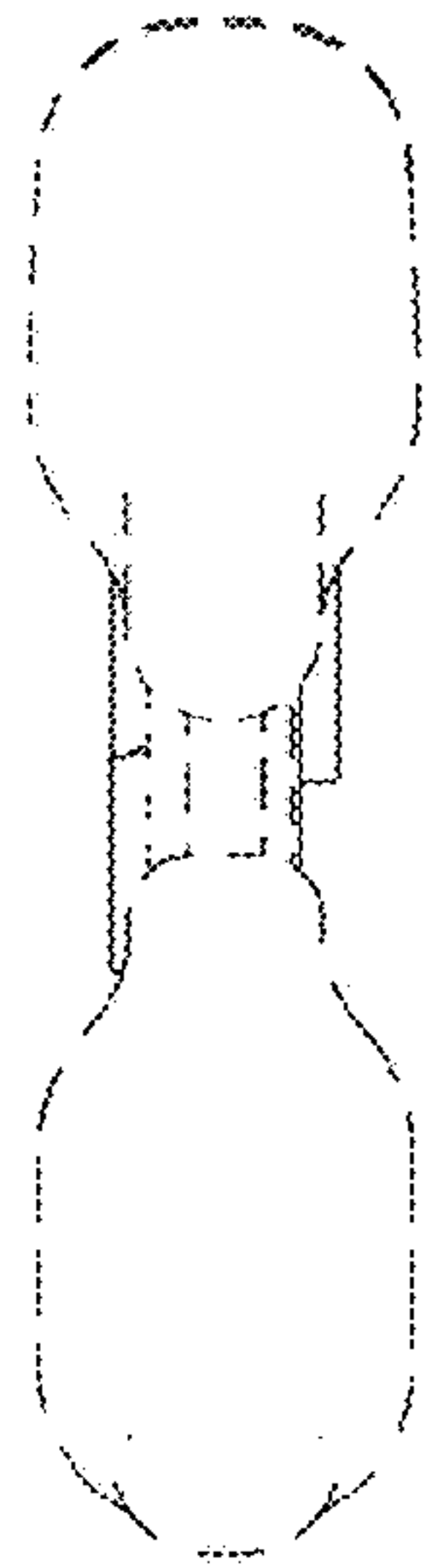


FIG. 6

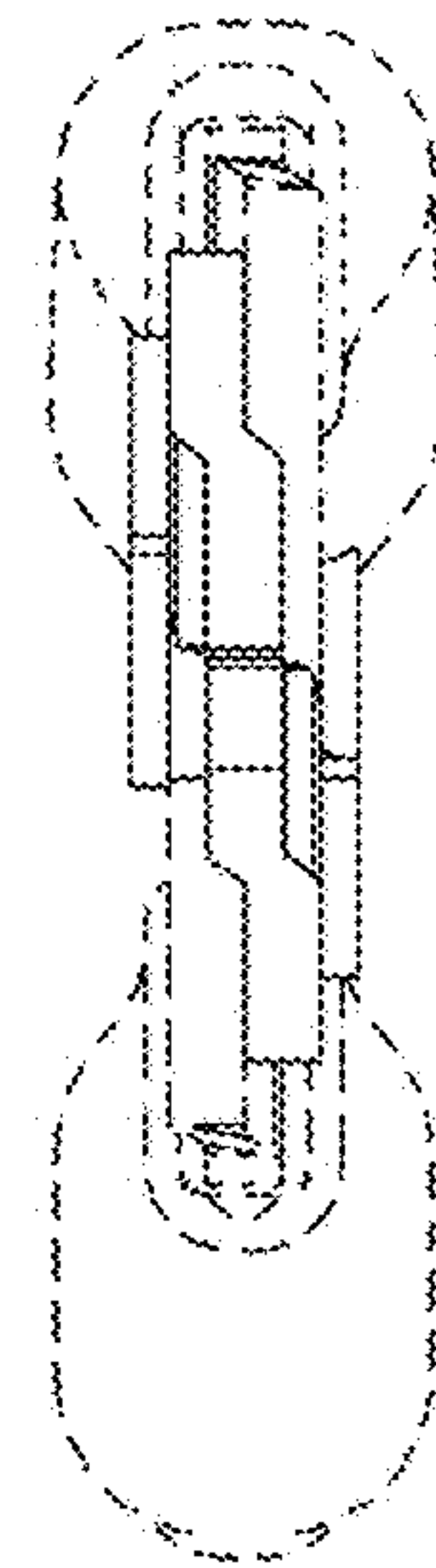


FIG. 7



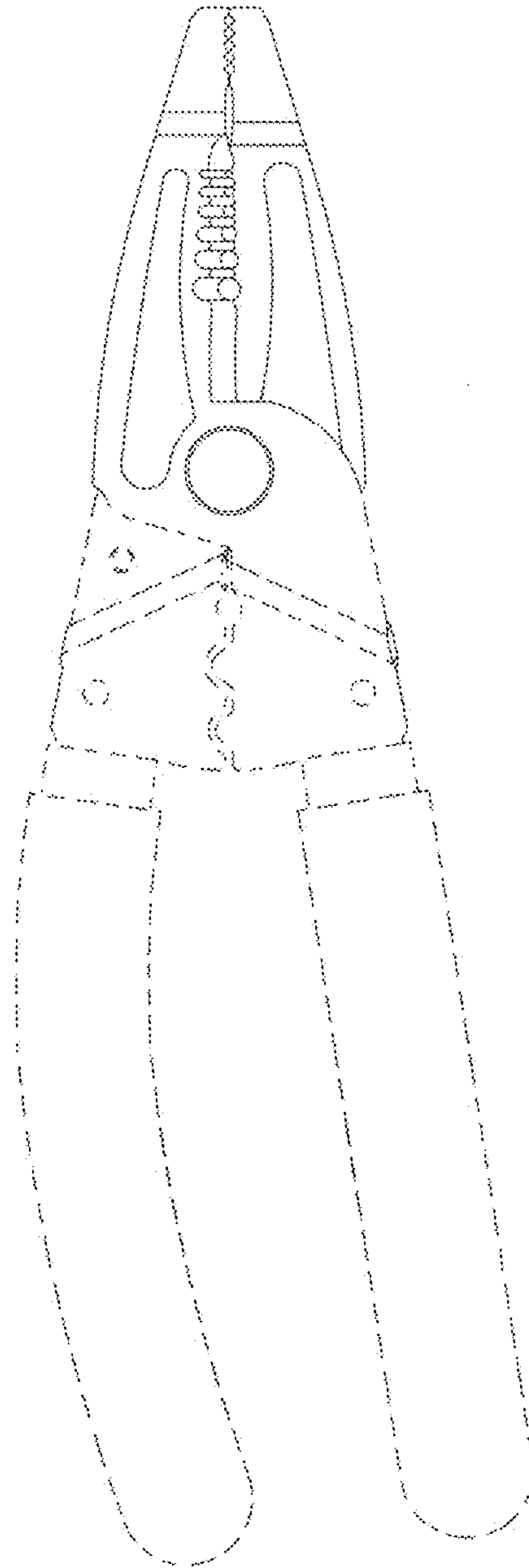


FIG. 8

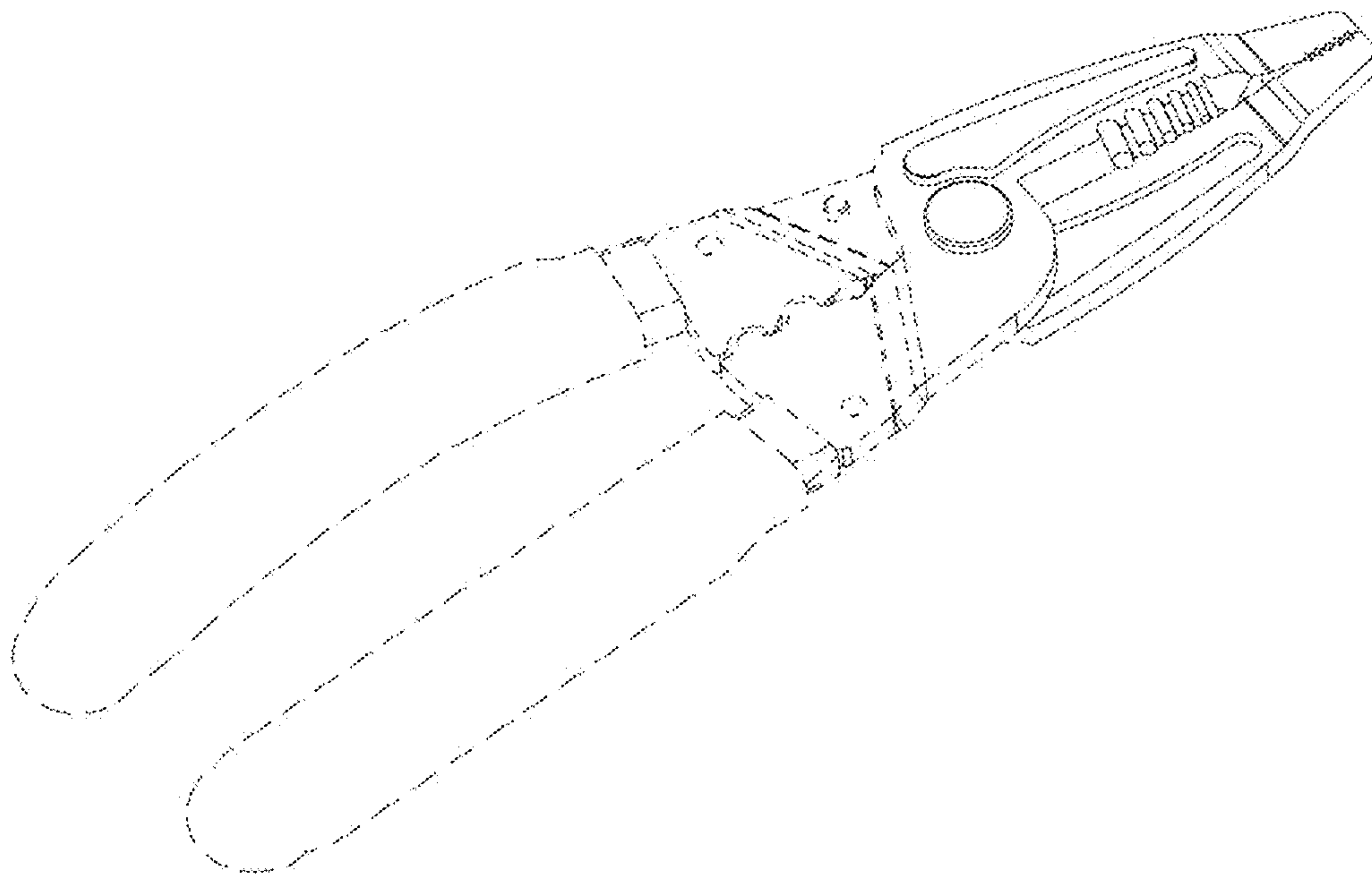


FIG. 9