



US00D827402S

(12) **United States Design Patent**
Lee et al.

(10) **Patent No.:** **US D827,402 S**
(45) **Date of Patent:** **** Sep. 4, 2018**

- (54) **PORTION OF A SOCKET**
- (71) Applicants: **An Kun Lee**, Taichung (TW); **Shu Tuan Yang**, Taichung (TW); **Chiu Ken Lai**, Taichung (TW)
- (72) Inventors: **An Kun Lee**, Taichung (TW); **Shu Tuan Yang**, Taichung (TW); **Chiu Ken Lai**, Taichung (TW)

D640,298 S *	6/2011	Launius, Jr.	D15/130
D649,417 S *	11/2011	Gresham	D8/29
8,359,953 B2 *	1/2013	Lin	B25B 13/06
				81/121.1
8,544,367 B2 *	10/2013	Buchanan	B25B 13/04
				81/124.5
D714,606 S *	10/2014	Lee	D8/29
9,038,506 B1 *	5/2015	Huang	B25B 13/462
				81/60
D749,388 S *	2/2016	Lee	D8/29
D755,028 S *	5/2016	Yu	D8/29

(**) Term: **15 Years**

* cited by examiner

(21) Appl. No.: **29/556,741**

Primary Examiner — Randall Gholson

(22) Filed: **Mar. 2, 2016**

(74) *Attorney, Agent, or Firm* — Alan D. Kamrath;
Kamrath IP Lawfirm, P.A.

(51) **LOC (11) Cl.** **08-05**

(57) **CLAIM**

(52) **U.S. Cl.**
USPC **D8/29**

The ornamental design for a portion of a socket, as shown and described.

(58) **Field of Classification Search**
USPC D8/21–29; 81/60, 177.1, 177.85, 121.1,
81/124.3, 165–170, 110.1, 176.2, 124.6,
81/176.1, 176.15, 177.2; 16/110.1
CPC B25B 13/06
See application file for complete search history.

DESCRIPTION

(56) **References Cited**

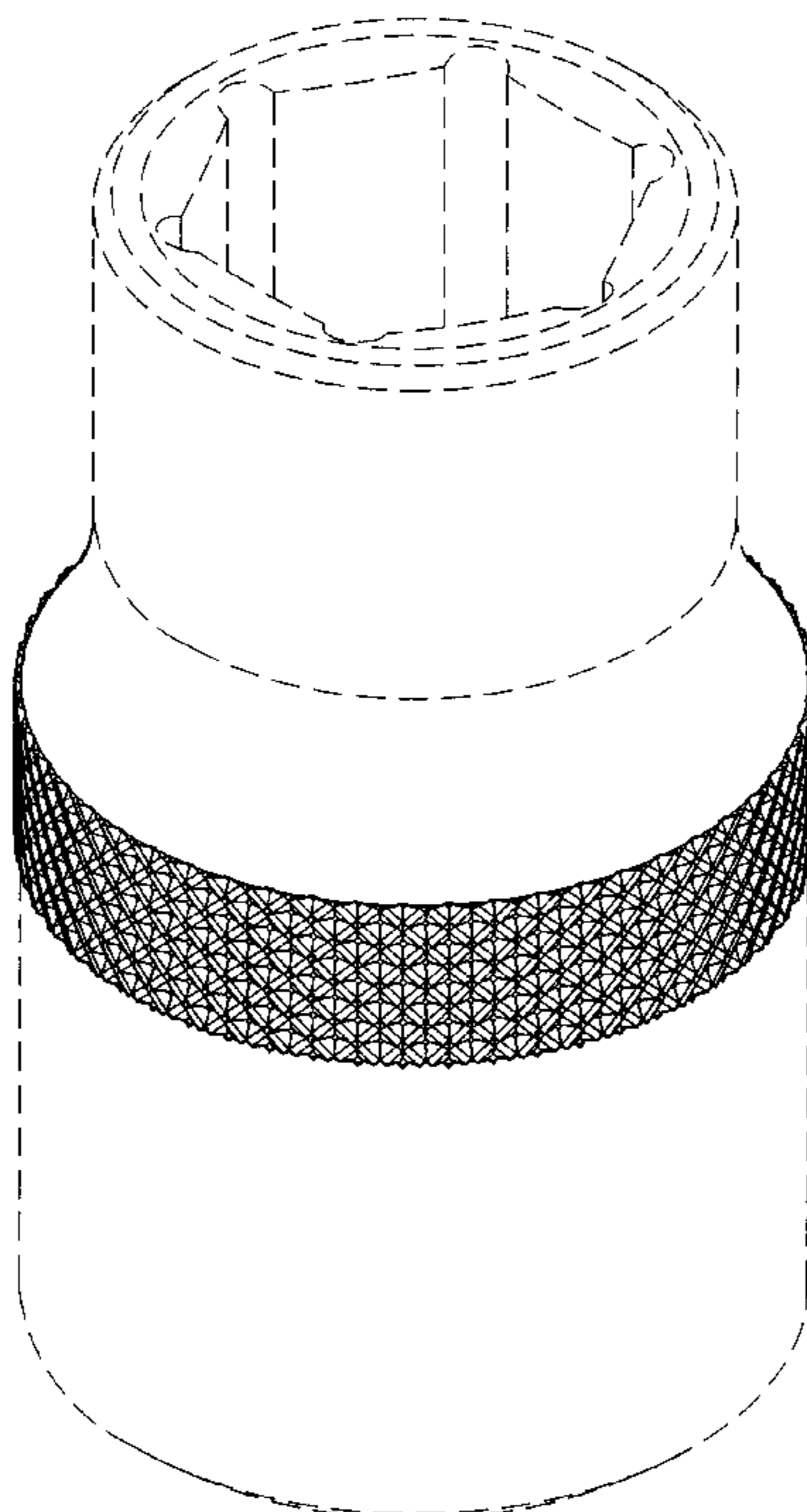
U.S. PATENT DOCUMENTS

D520,311 S *	5/2006	Saunders	D8/29
D542,106 S *	5/2007	Alsobrook	D8/29
D605,010 S *	12/2009	Hsieh	D8/29
7,707,916 B2 *	5/2010	Pirseyedi	B25B 13/44
				279/64
7,726,919 B1 *	6/2010	Rottler	B23B 31/08
				279/16

FIG. 1 is a perspective view of the portion of a socket showing my new design;
FIG. 2 is a front elevational view thereof (the right side, the left side, the rear elevational views are a mirror image of the front elevational view);
FIG. 3 is a top plan view thereof;
FIG. 4 is a bottom plan view thereof; and,
FIG. 5 is a cross sectional view, for clarity purpose only, to show the contour of the portion of a socket showing my new design.

The broken lines in the drawings depict environmental subject matter only and form no part of the claimed design.

1 Claim, 5 Drawing Sheets



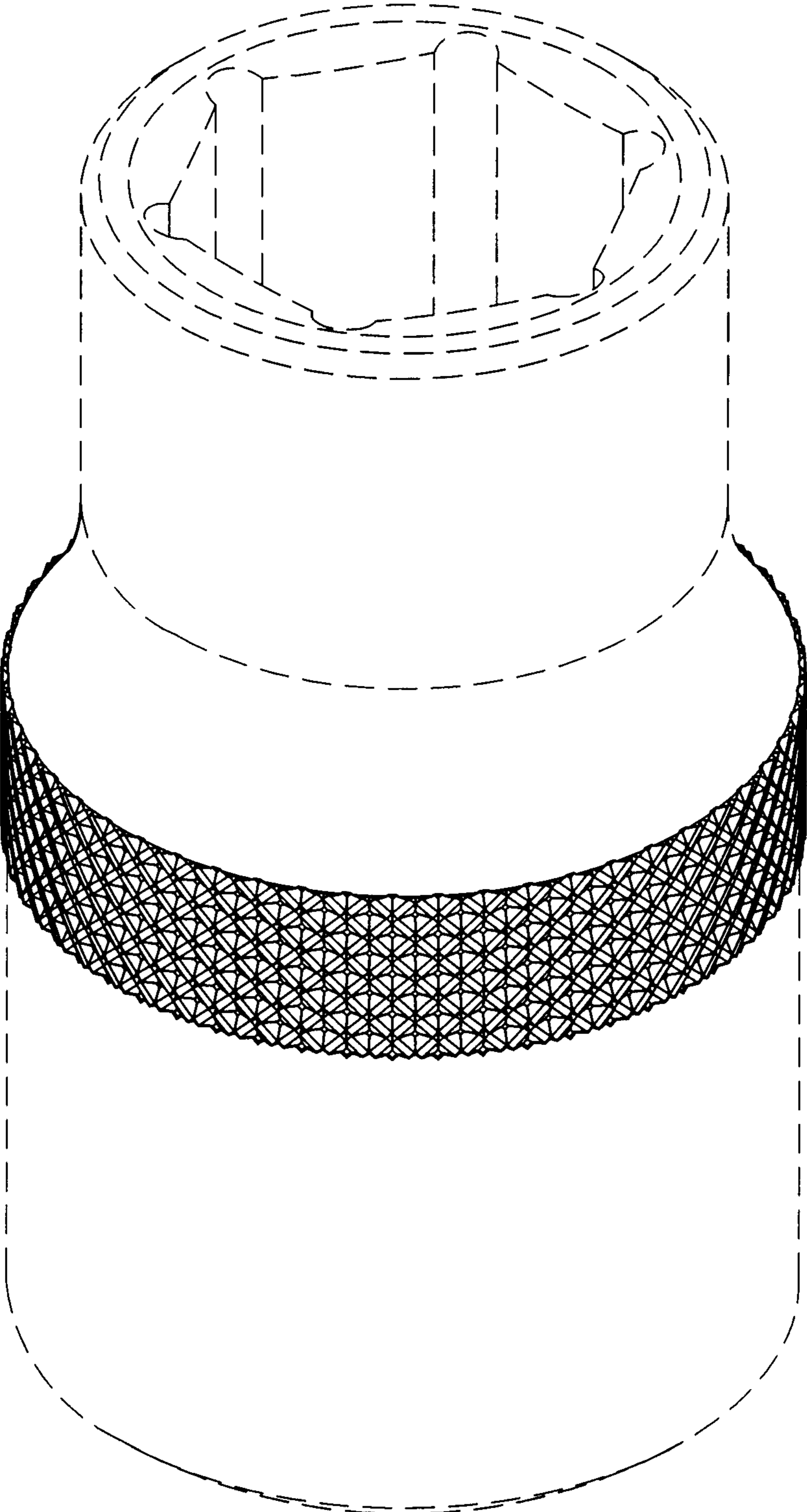


FIG. 1

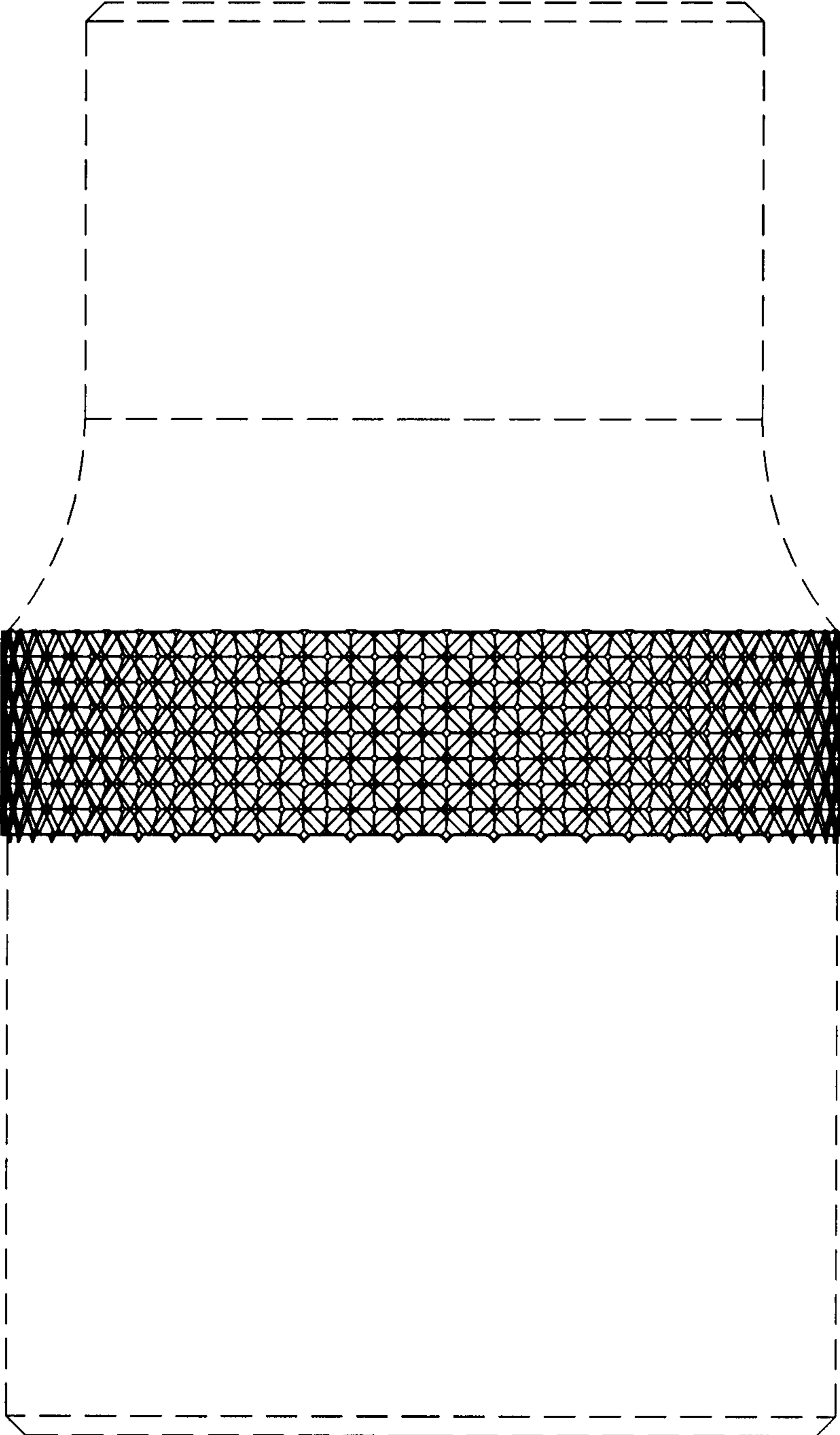


FIG.2

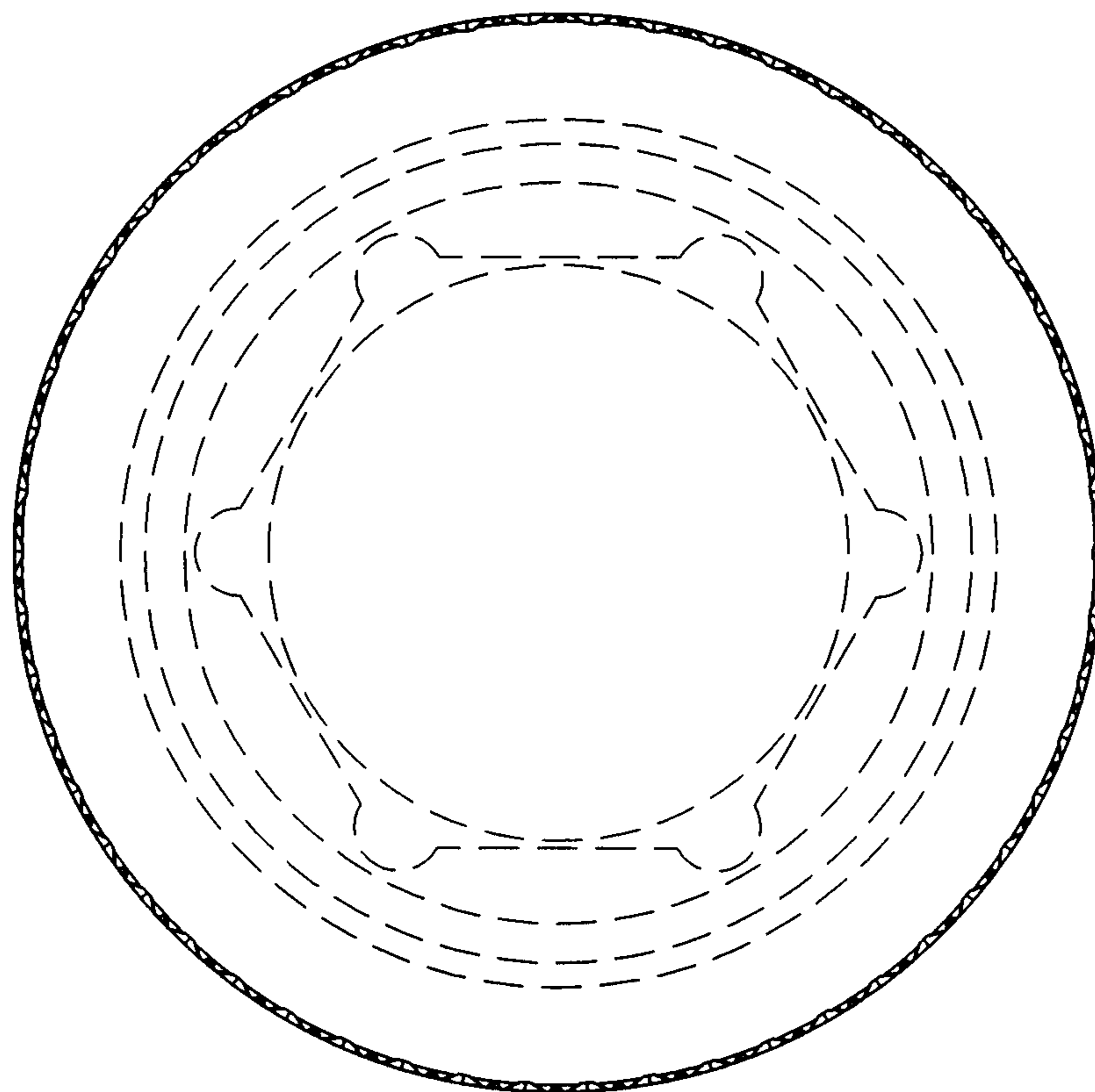


FIG.3

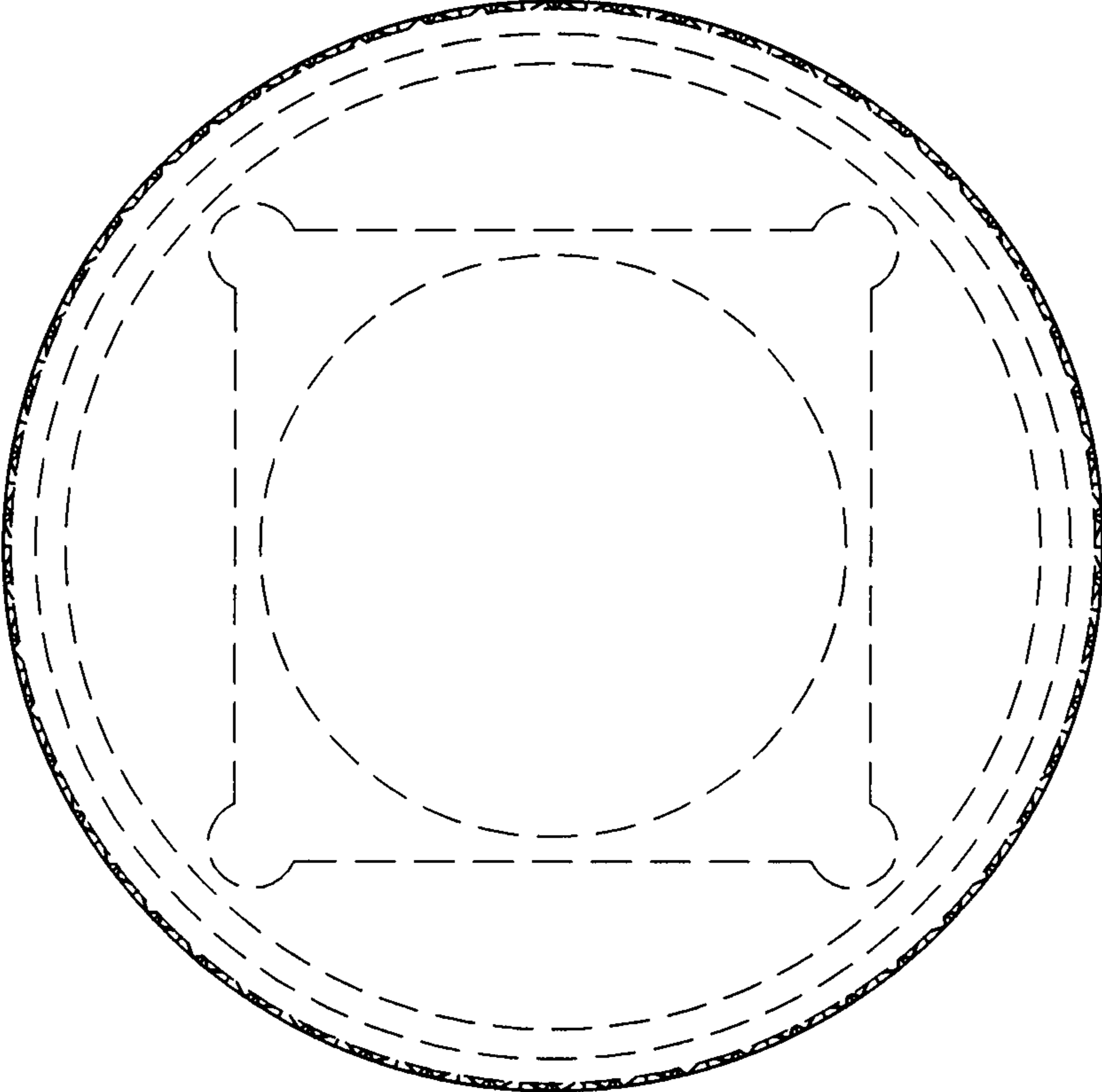


FIG.4

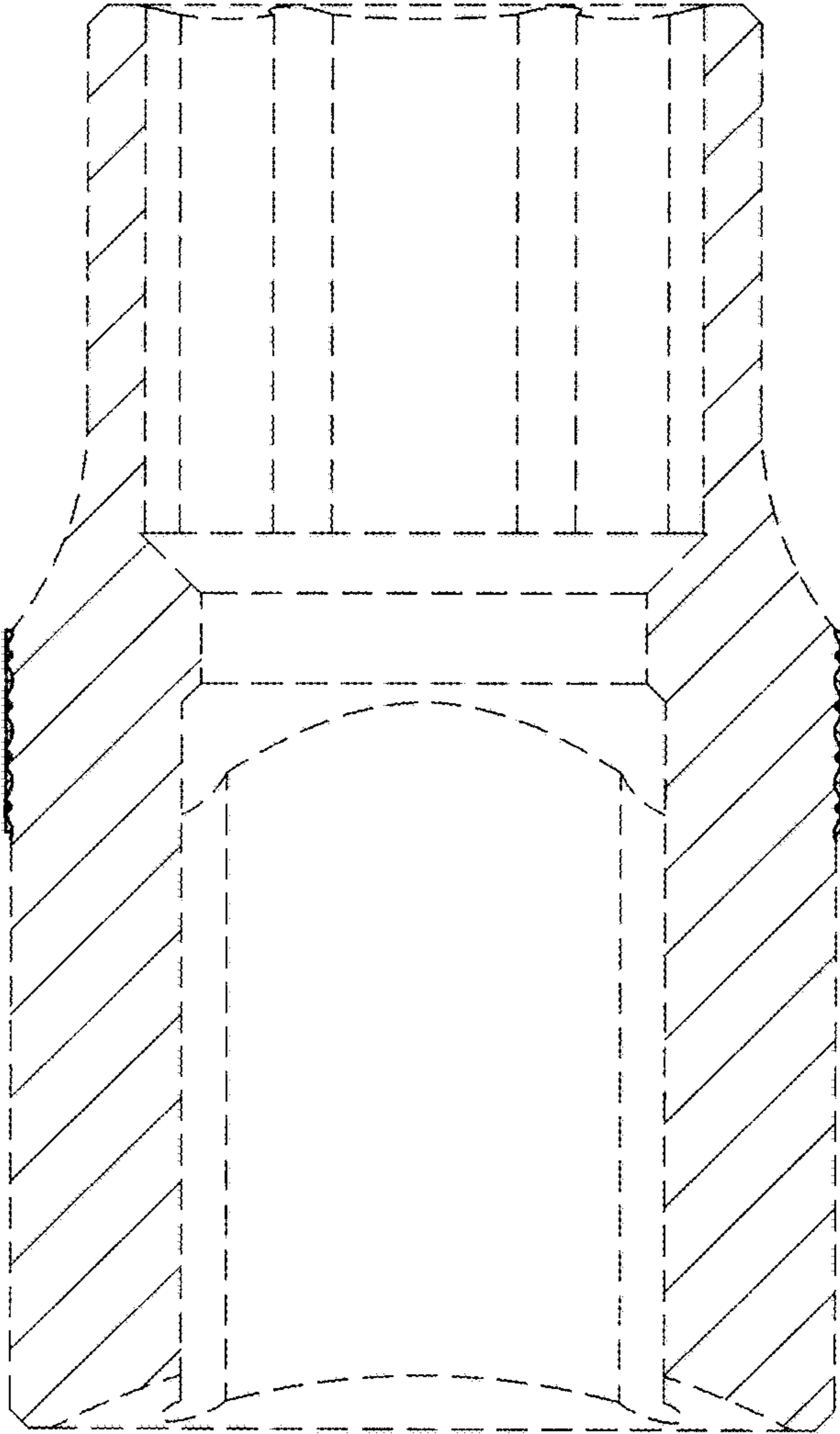


FIG. 5