



US00D827401S

(12) **United States Design Patent**  
**Chen et al.**

(10) **Patent No.:** **US D827,401 S**  
(45) **Date of Patent:** **\*\* Sep. 4, 2018**

(54) **BLADE**  
(71) Applicant: **Chun-Yen Chen**, Chang Hua (TW)  
(72) Inventors: **Chien-Hung Chen**, Chang Hua (TW);  
**Wen-Tzu Sun**, Chang Hua (TW)  
(73) Assignee: **Chun-Yen Chen**, Chang Hua (TW)  
(\*\*) Term: **15 Years**

3,110,952 A \* 11/1963 Anderson ..... B23D 61/14  
83/661  
3,800,633 A \* 4/1974 Funakubo ..... B23D 61/00  
76/112  
D438,549 S \* 3/2001 Tsujimoto ..... D15/134  
D641,766 S \* 7/2011 Hashimoto ..... D15/133  
D686,049 S \* 7/2013 Ji ..... D8/20  
D687,276 S \* 8/2013 Ji ..... D8/20  
D693,661 S \* 11/2013 Fosberg, Jr. .... D8/20  
D720,585 S \* 1/2015 Gardner ..... D8/20

(Continued)

(21) Appl. No.: **29/594,029**  
(22) Filed: **Feb. 15, 2017**

*Primary Examiner* — Wan Laymon  
*Assistant Examiner* — Clint A Samuel  
(74) *Attorney, Agent, or Firm* — LeClairRyan

(30) **Foreign Application Priority Data**

Aug. 19, 2016 (EP) ..... 003346501

(51) **LOC (11) Cl.** ..... **08-03**

(52) **U.S. Cl.**  
USPC ..... **D8/20**

(58) **Field of Classification Search**

USPC ..... D8/5, 8, 9, 62, 64, 66, 70, 92, 98, 99;  
30/32, 48, 50, 81, 128, 159, 165, 166.3,  
30/169, 272, 277.4, 294, 346; 83/665,  
83/666, 667, 835, 886; 407/20, 30;  
D15/29, 138, 139  
CPC .. B24B 3/36; B24B 3/365; B24B 3/46; B27B  
5/00; Y10T 83/9319; Y10T 83/9321;  
Y10T 83/9346; Y10T 83/9348; B23D  
61/00; B23D 61/025; B23D 61/06; B23D  
61/04; B23D 61/026; B23D 65/00; B23D  
7/086; B23D 7/2614; B26B 1/00; B26B  
3/00; B26B 21/00; B26B 11/00; B26B  
9/00; B26B 5/00; B26D 7/18

See application file for complete search history.

(56) **References Cited**

U.S. PATENT DOCUMENTS

3,034,378 A \* 5/1962 Anderson ..... B23B 27/18  
76/112  
3,063,310 A \* 11/1962 Conroy ..... B23D 61/14  
219/77

(57) **CLAIM**

The ornamental design for a blade, as shown and described.

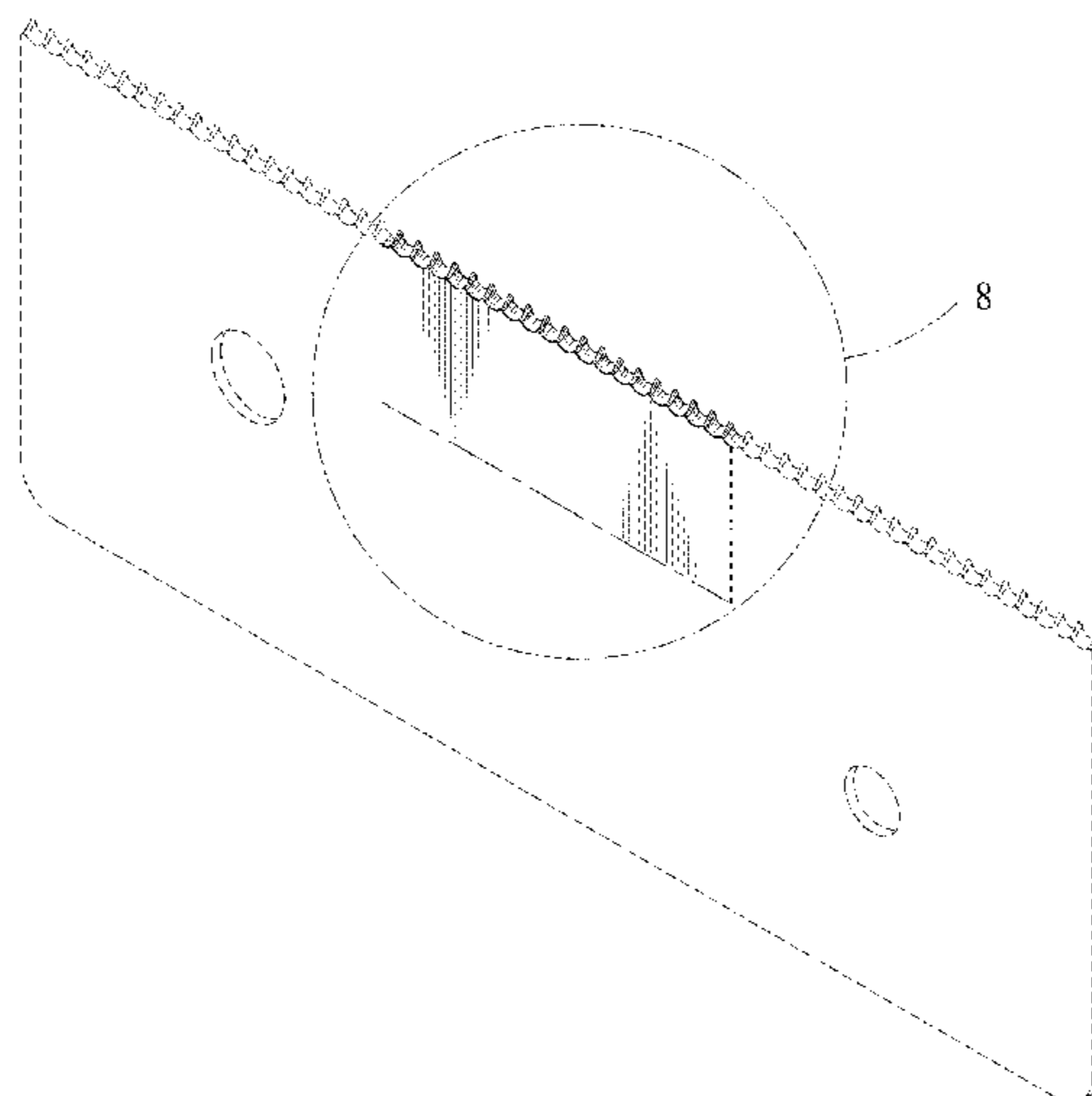
**DESCRIPTION**

FIG. 1 is a perspective view of a blade showing our new design;  
FIG. 2 is a front elevational view thereof;  
FIG. 3 is a rear elevational view thereof;  
FIG. 4 is a left side elevational view thereof;  
FIG. 5 is a right side elevational view thereof;  
FIG. 6 is a top plan view thereof;  
FIG. 7 is a bottom plan view thereof;  
FIG. 8 is an enlarged perspective view of a circled portion 8 of FIG. 1; and,  
FIG. 9 is an enlarged front view of a circled portion 9 of FIG. 2.

The dash-dot-dash broken lines shown in the figures are for defining the bounds of the claimed design only and form no part of the claimed design.

The dotted broken lines depict portions of a blade in which the design is embodied that form no part of the claimed design.

**1 Claim, 9 Drawing Sheets**



(56)

**References Cited**

U.S. PATENT DOCUMENTS

D730,132 S \* 5/2015 Szanto ..... A61B 17/1637  
D24/133  
D744,794 S \* 12/2015 Elliston ..... B23D 61/126  
D8/20  
D745,352 S \* 12/2015 Tyner ..... D8/20  
2009/0145280 A1\* 6/2009 Bucks ..... B23D 61/121  
83/835  
2011/0259168 A1\* 10/2011 Butzen ..... B23D 61/121  
83/835  
2013/0180375 A1\* 7/2013 Rearick ..... B23D 61/121  
83/849

\* cited by examiner

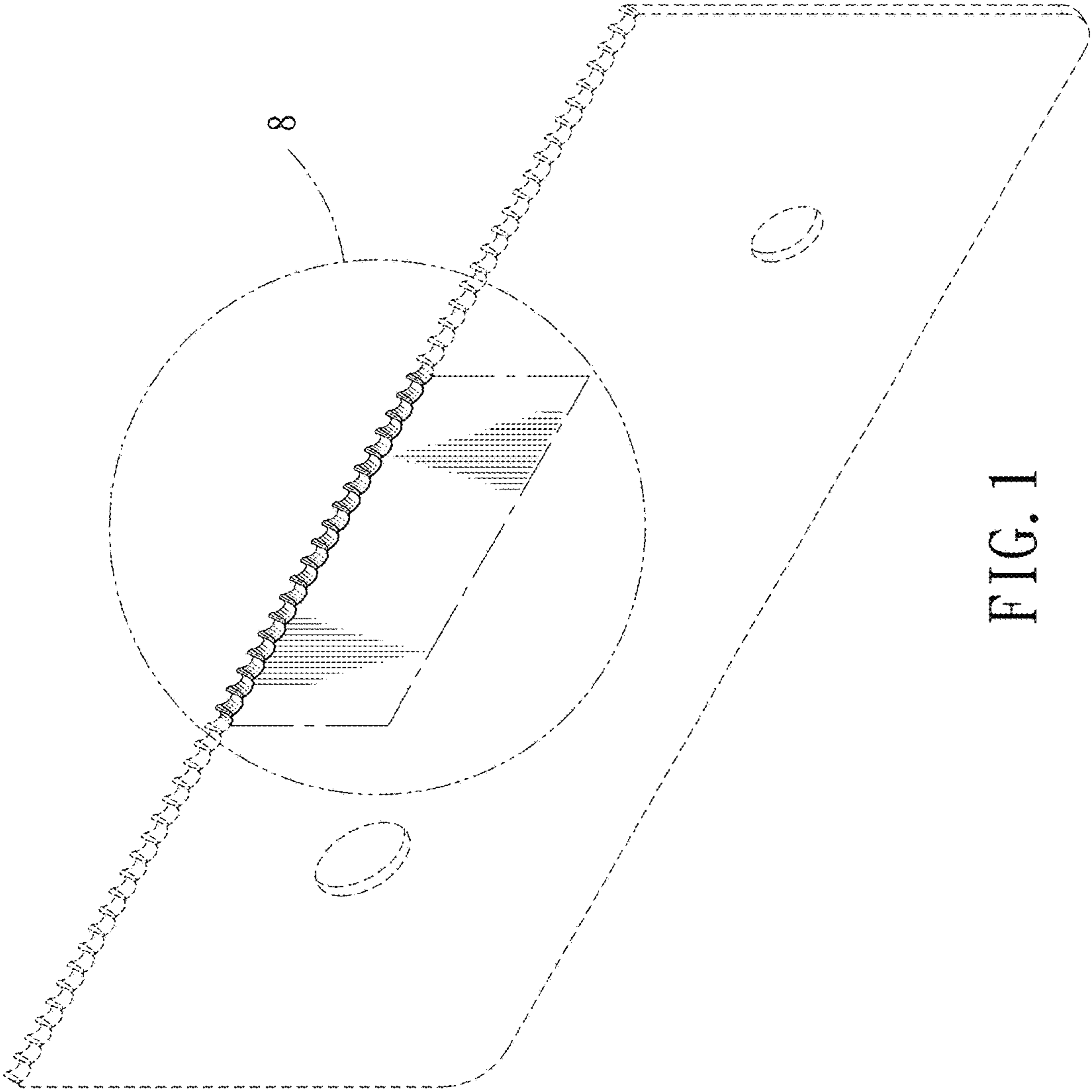


FIG. 1

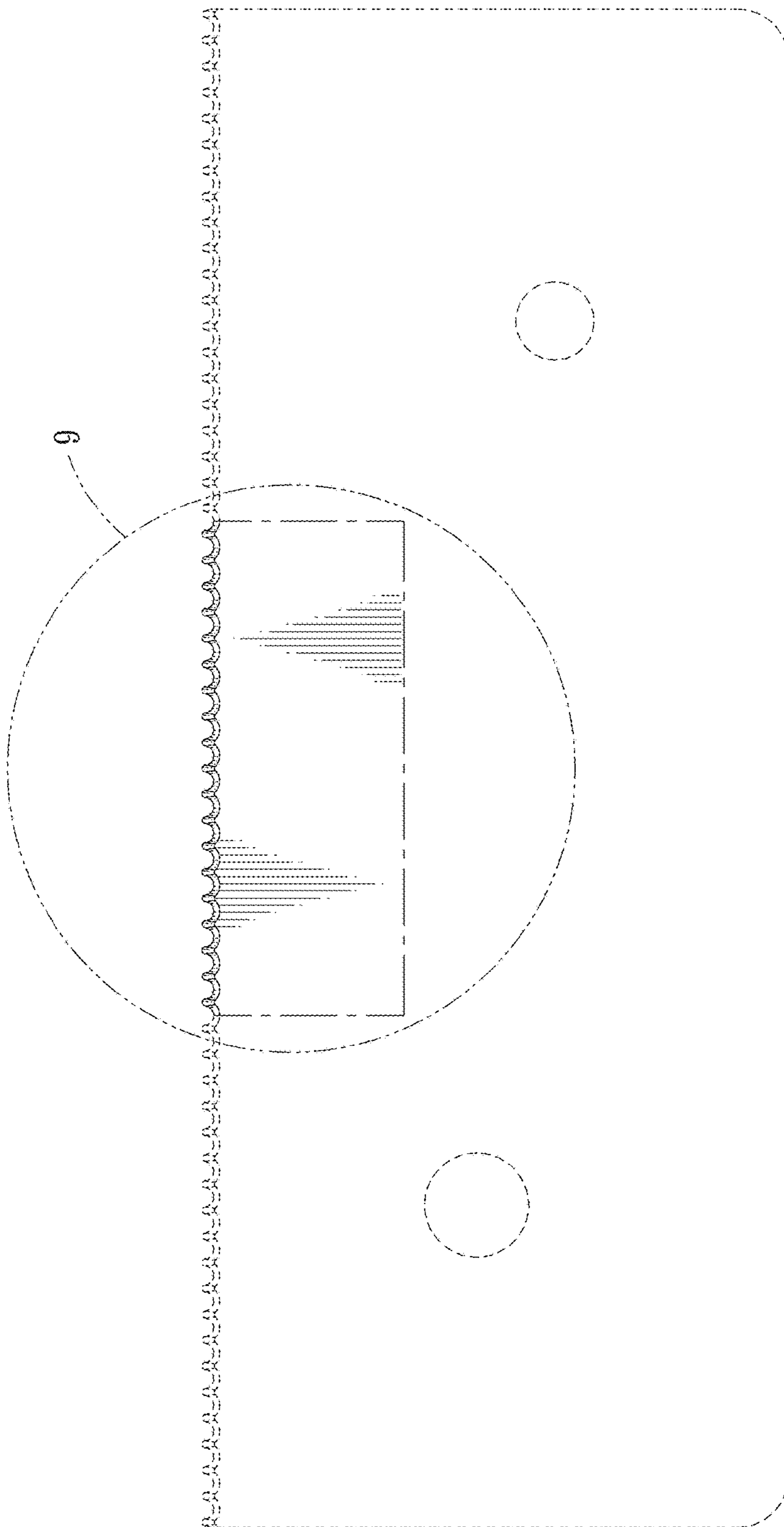


FIG. 2

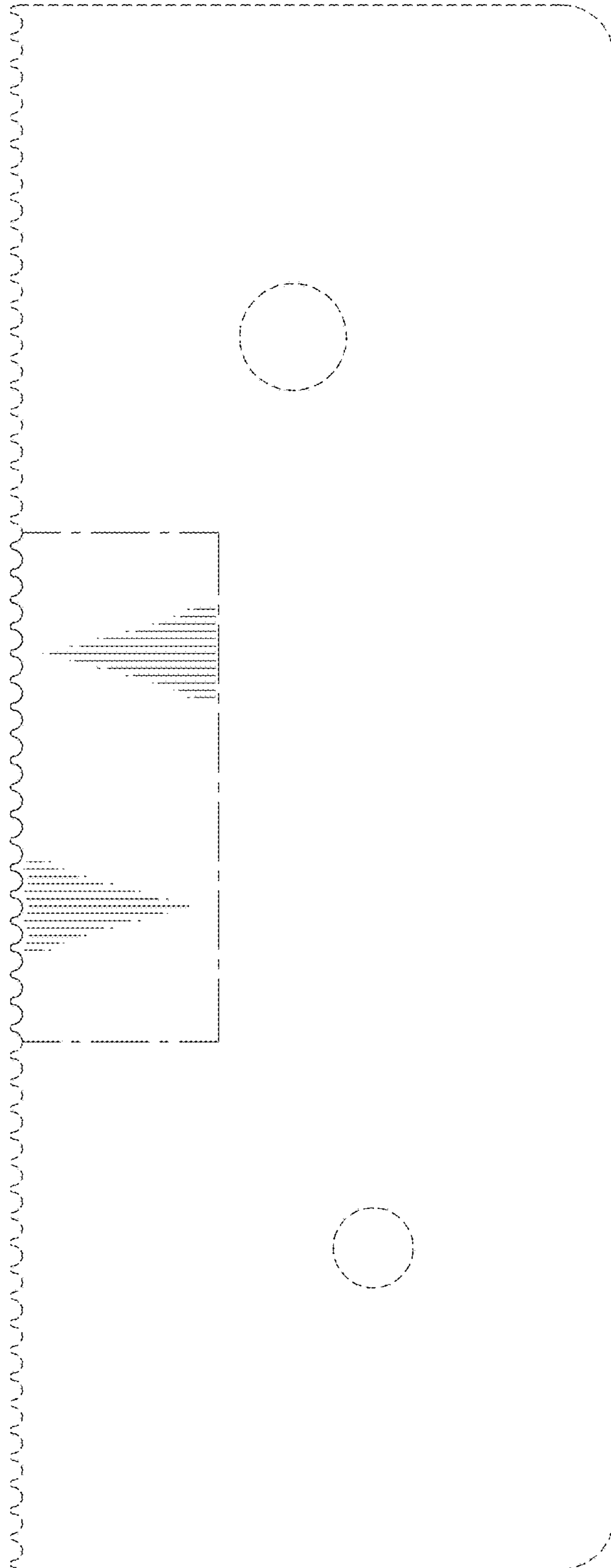


FIG. 3

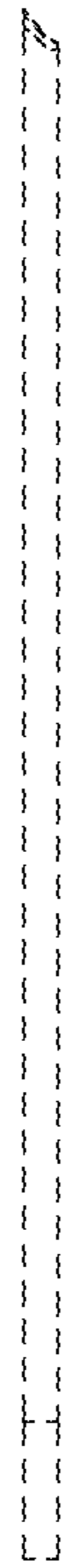


FIG. 4

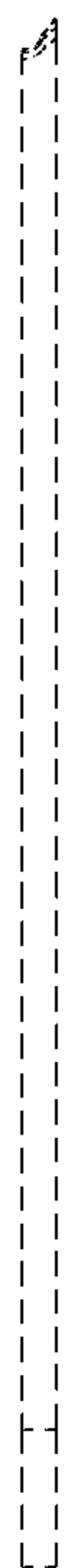


FIG. 5



FIG. 6



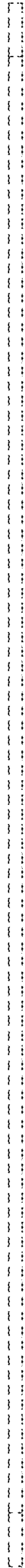


FIG. 7

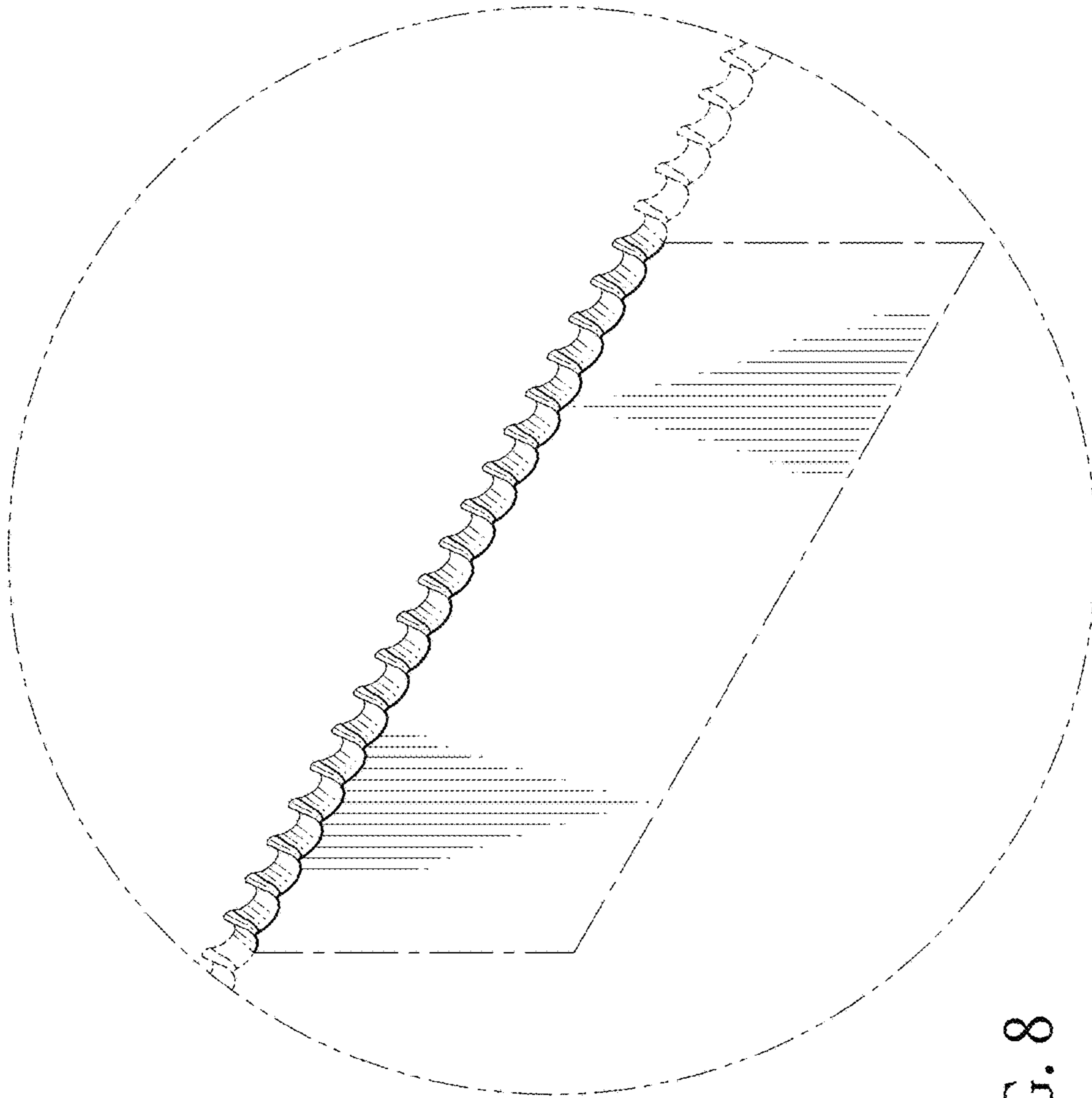


FIG. 8

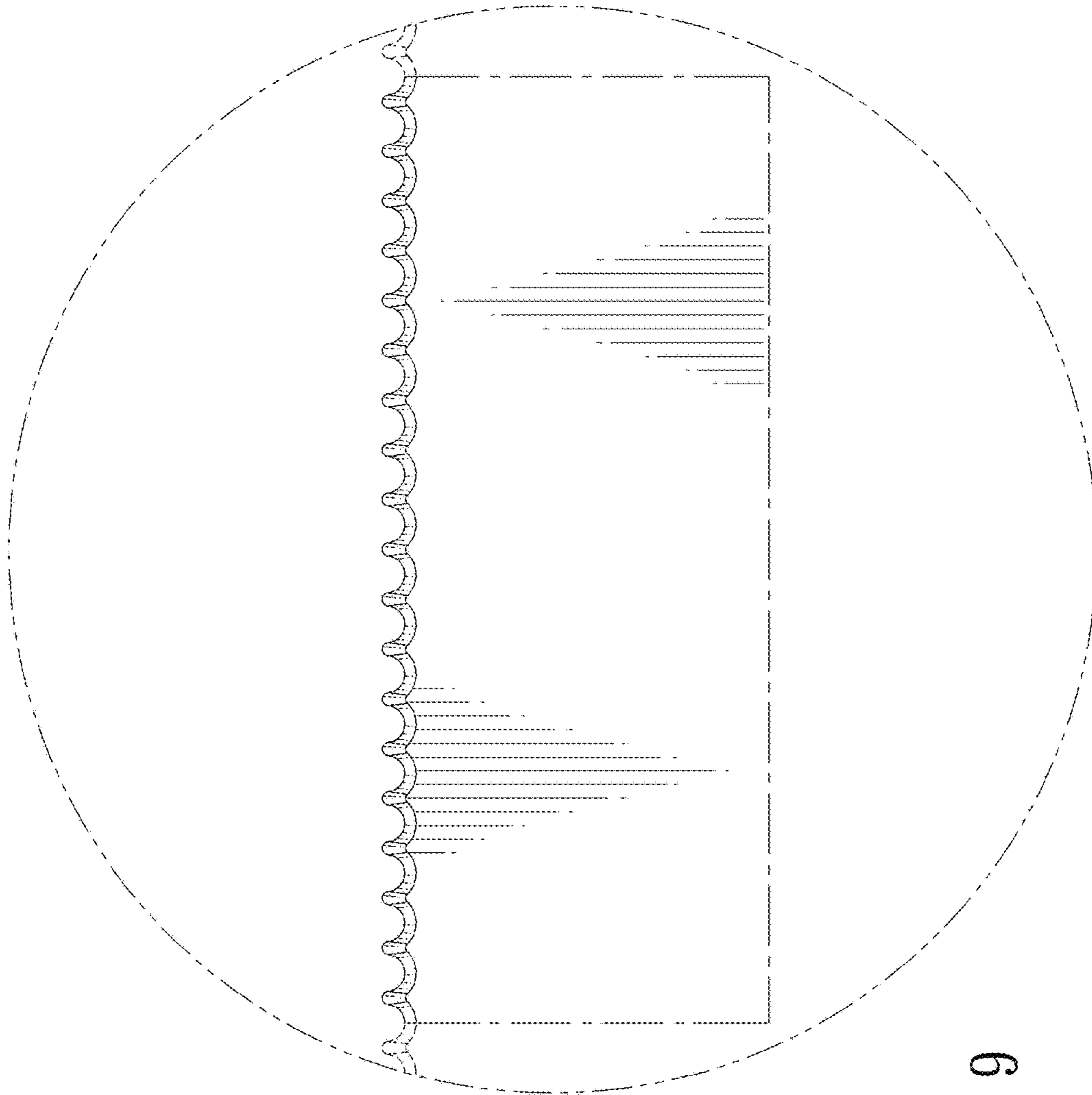


FIG. 9