



US00D827400S

(12) **United States Design Patent**
Niswonger

(10) **Patent No.:** **US D827,400 S**
(45) **Date of Patent:** **** Sep. 4, 2018**

- (54) **DUAL HEAD RAKE**
- (71) Applicant: **John O. H. Niswonger**, Agoura Hills, CA (US)
- (72) Inventor: **John O. H. Niswonger**, Agoura Hills, CA (US)
- (**) Term: **15 Years**
- (21) Appl. No.: **29/634,566**
- (22) Filed: **Jan. 23, 2018**
- (51) **LOC (11) Cl.** **08-01**
- (52) **U.S. Cl.**
USPC **D8/15**
- (58) **Field of Classification Search**
USPC D8/15, 1
CPC . A01D 7/04; A01D 7/10; A01D 43/02; A01D 42/02
See application file for complete search history.

- 6,122,904 A * 9/2000 Garcia de Alba A01D 42/02 56/16.9
- 7,131,255 B1 * 11/2006 Caneba A01D 7/04 56/400.19
- D703,015 S * 4/2014 Sturges D8/13
- 2010/0050586 A1 * 3/2010 Franco A01D 43/02 56/193

* cited by examiner

Primary Examiner — Sheryl Lane
(74) *Attorney, Agent, or Firm* — Ronald L. Rohde

(57) **CLAIM**

The ornamental design for a dual head rake, as shown.

DESCRIPTION

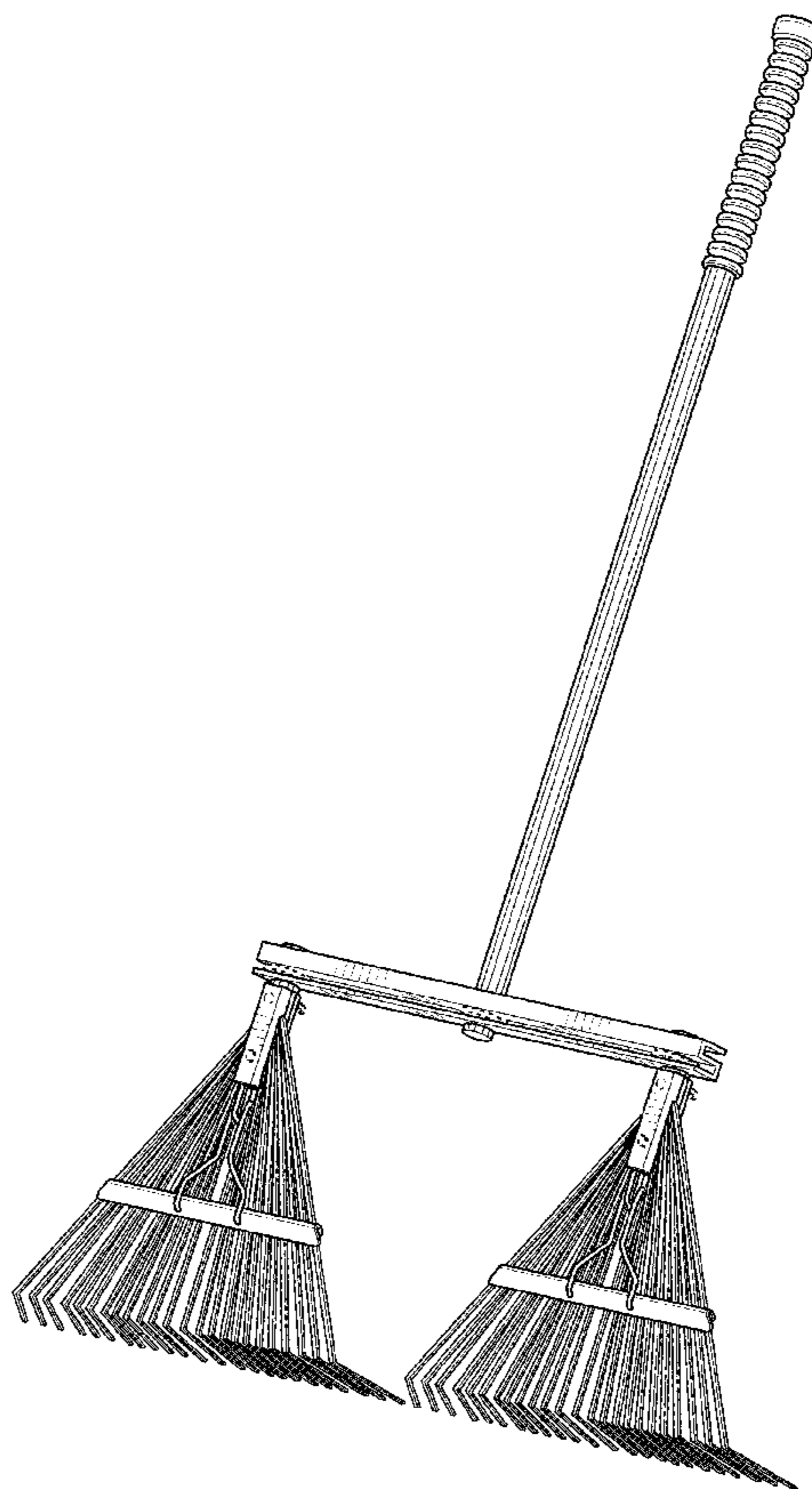
FIG. 1 is a top view in perspective showing my new design for a dual head rake;
 FIG. 2 is a front elevation view in elevation thereof;
 FIG. 3 is a rear elevation view in elevation thereof;
 FIG. 4 is a right side elevation view thereof;
 FIG. 5 is a left side elevation view thereof;
 FIG. 6 is a top view in plan thereof;
 FIG. 7 is a bottom view in plan thereof; and,
 FIG. 8 is an exploded partial view in perspective thereof showing the individual parts and their connections.
 The broken lines represent portions of the rake and form no part of the claimed design.

1 Claim, 6 Drawing Sheets

(56) **References Cited**

U.S. PATENT DOCUMENTS

- 4,516,393 A * 5/1985 Lambert A01D 76/003 56/400.17
- 5,501,069 A * 3/1996 Lentz A01D 7/10 56/400.1



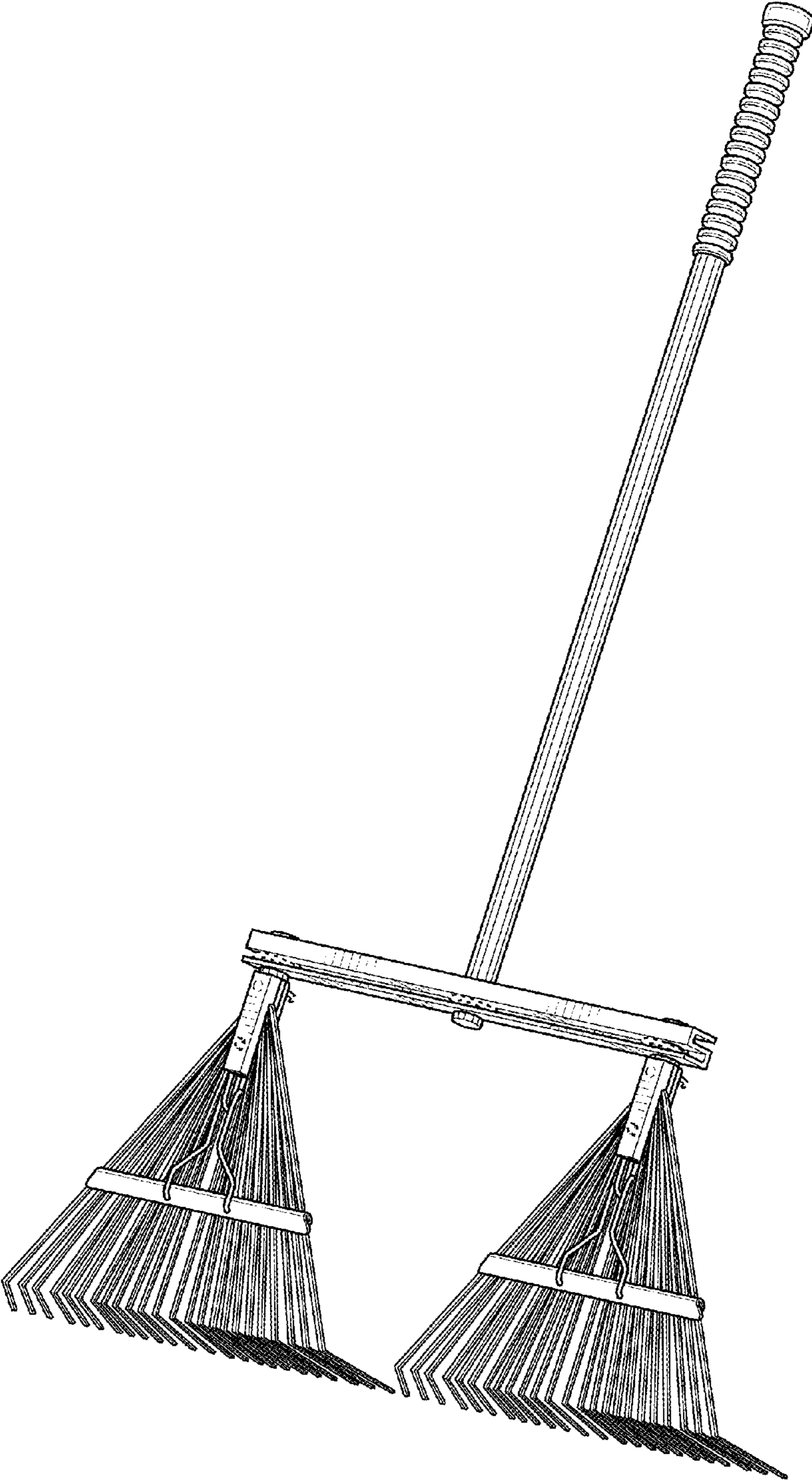


FIG. 1

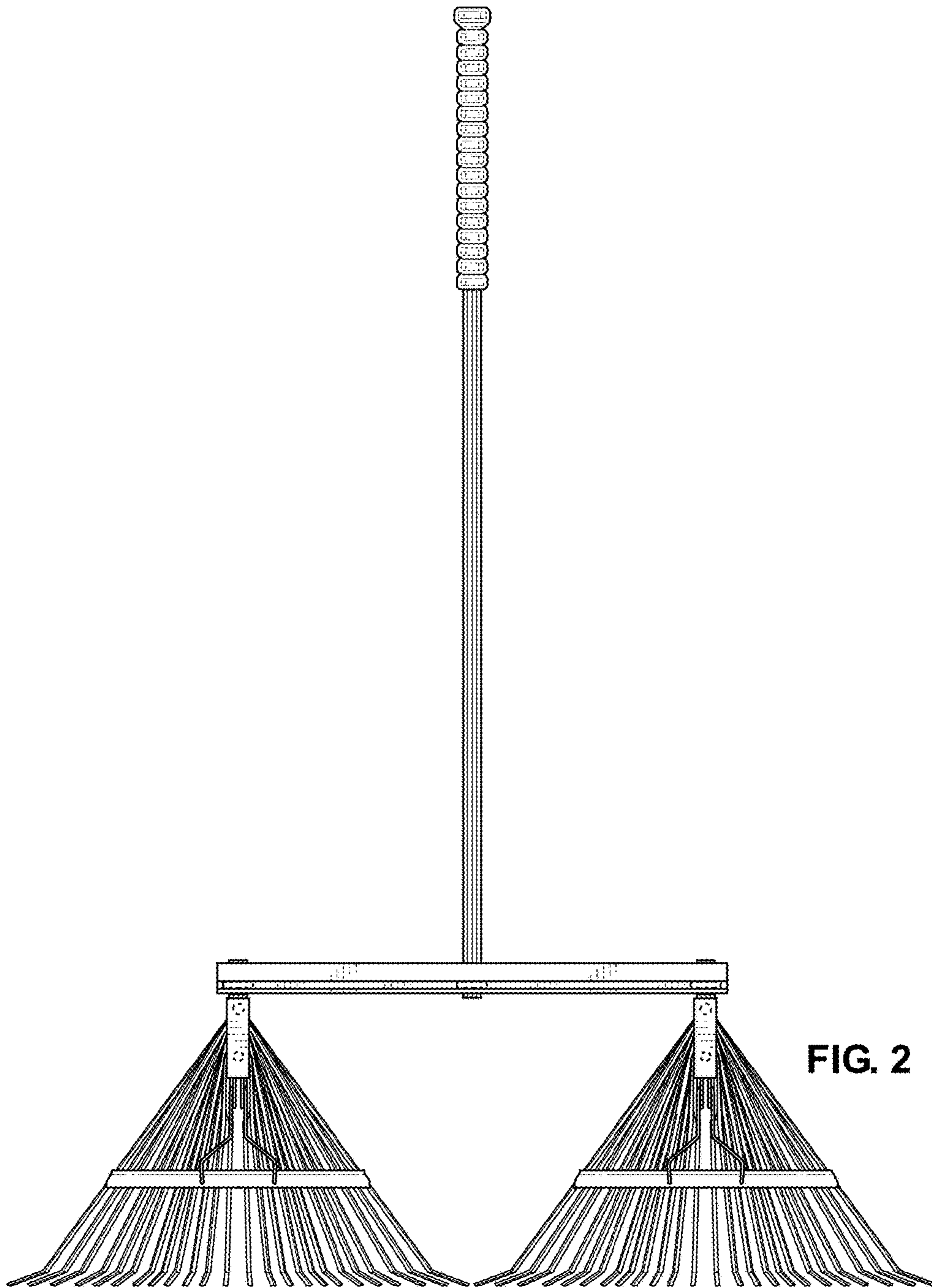


FIG. 2

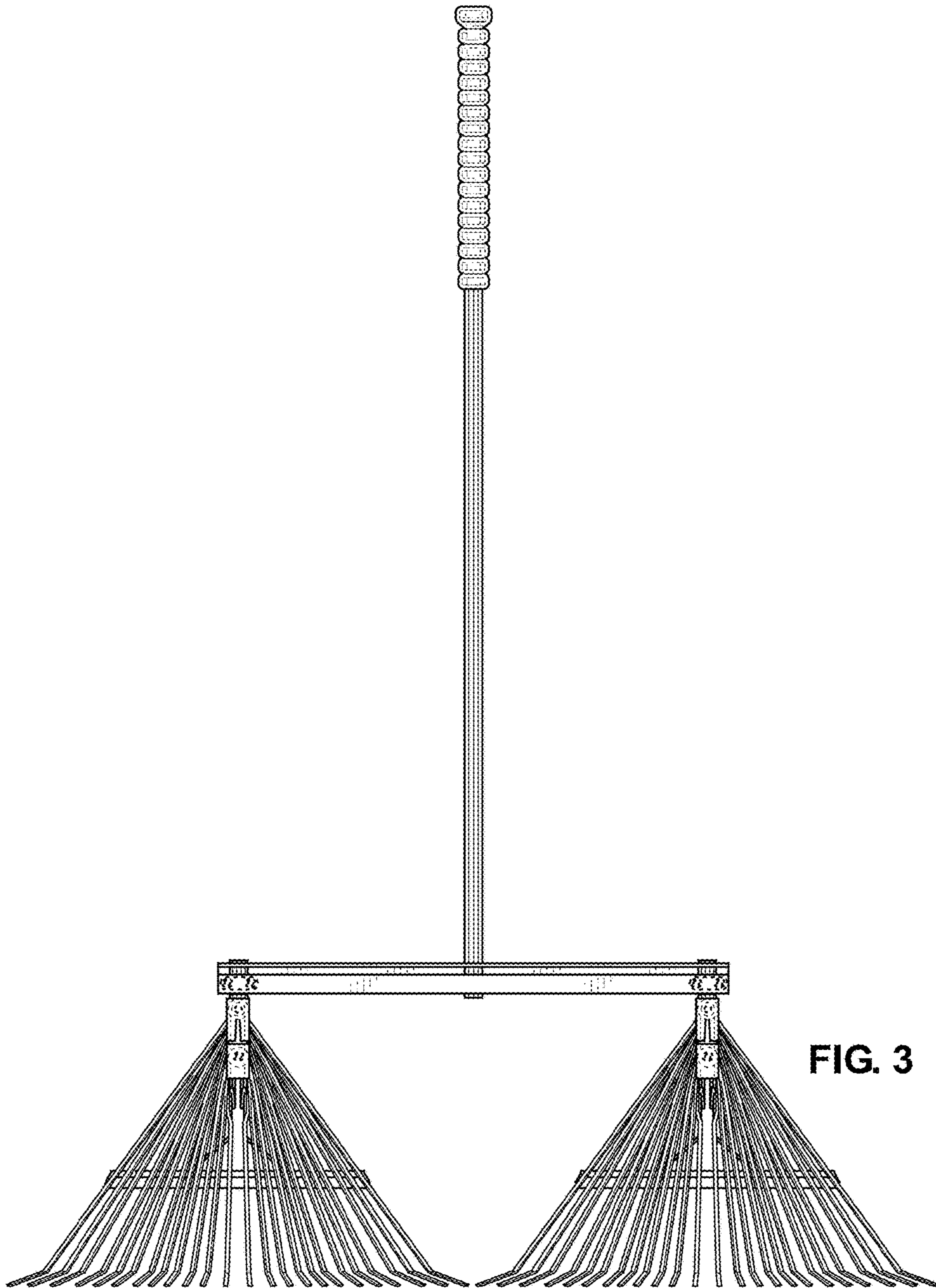


FIG. 3

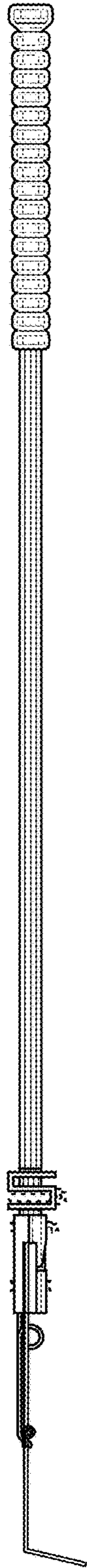


FIG. 4

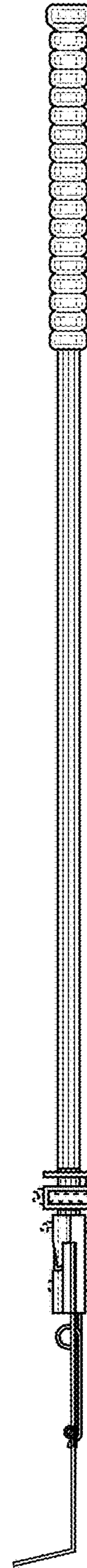


FIG. 5

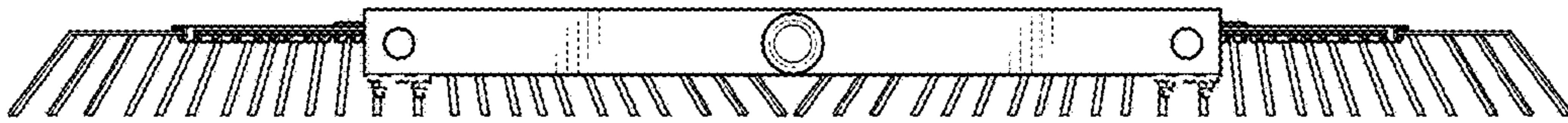


FIG. 6



FIG. 7

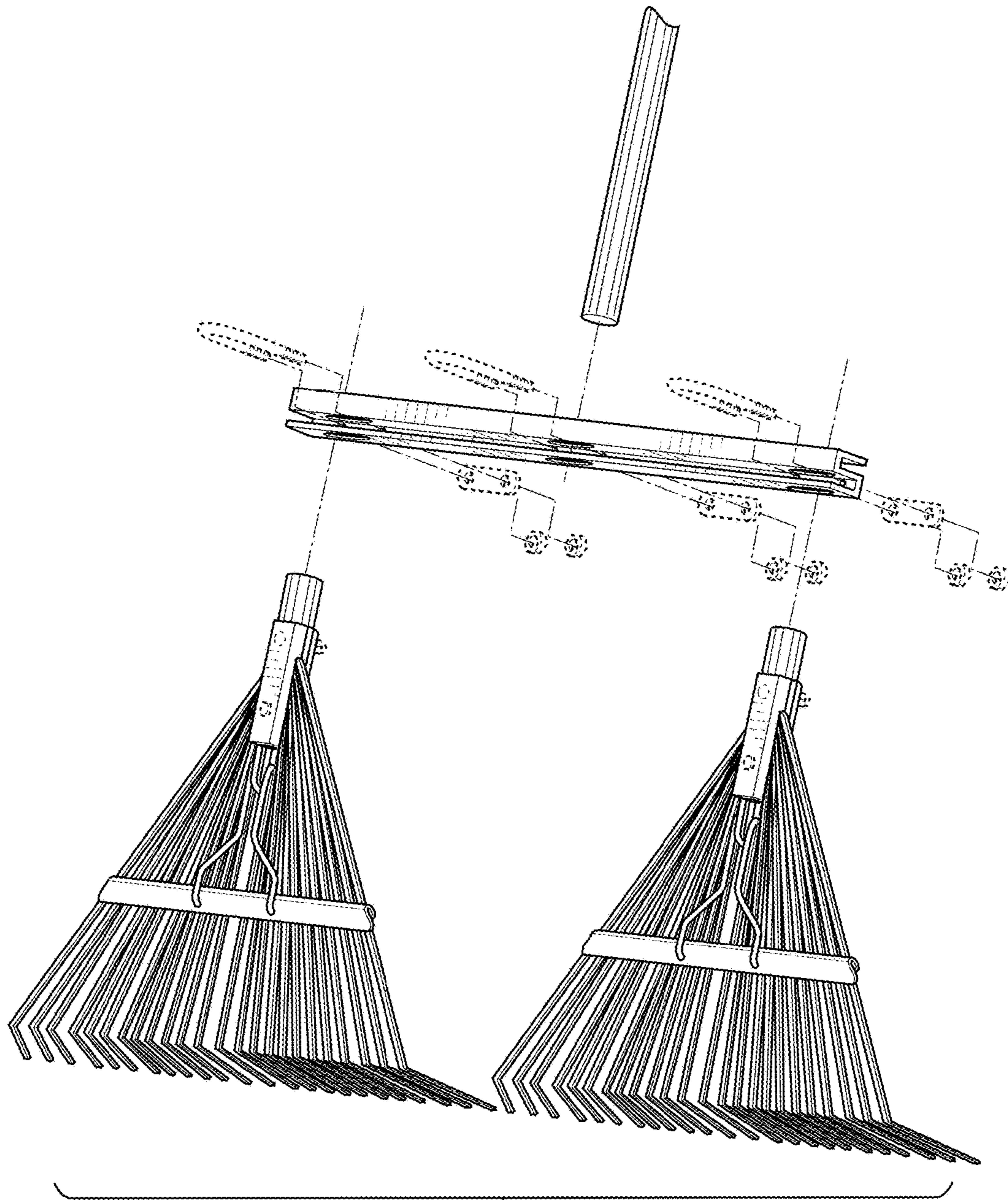


FIG. 8