

US00D827399S

(12) **United States Design Patent** (10) **Patent No.:** **US D827,399 S**  
**Lyytikäinen** (45) **Date of Patent:** **\*\* Sep. 4, 2018**

(54) **PRUNERS**

(71) Applicant: **Fiskars Finland Oy Ab**, Helsinki (FI)  
(72) Inventor: **Sami Lyytikäinen**, Helsinki (FI)  
(73) Assignee: **Fiskars Finland Oy Ab**, Helsinki (FI)  
(\*\*) Term: **15 Years**

(21) Appl. No.: **29/576,832**

(22) Filed: **Sep. 7, 2016**

(30) **Foreign Application Priority Data**

Mar. 24, 2016 (EM) ..... 003042167

(51) **LOC (11) Cl.** ..... **08-01**

(52) **U.S. Cl.**  
USPC ..... **D8/5**

(58) **Field of Classification Search**  
USPC ..... D8/1, 4, 5, 51, 52, 53, 54, 55, 56, 58,  
D8/105, 107  
CPC ..... B26B 13/00; B26B 13/06; B26B 13/08;  
B26B 13/12; B26B 13/14; B26B 13/16;  
B26B 13/20; B26B 13/26; B26B 13/28;  
B26B 17/00; A01G 3/00; A01G 3/02;  
A01G 3/021; A01G 3/025; A01G 3/0251;  
A01G 3/0475

See application file for complete search history.

(56) **References Cited**

**U.S. PATENT DOCUMENTS**

777,412 A 12/1904 Hamel et al.  
907,064 A 12/1908 Litzelman  
D47,855 S 9/1915 Martin  
4,567,656 A \* 2/1986 Wallace ..... B26B 13/16  
30/262  
D301,537 S 6/1989 Pittaway  
D301,538 S 6/1989 Pittaway  
D305,090 S 12/1989 Collins et al.  
D305,495 S 1/1990 Carter  
D307,696 S 5/1990 Ishida et al.

(Continued)

**OTHER PUBLICATIONS**

U.S. Appl. No. 29/548,479, filed Dec. 14, 2015, Roberts et al.  
U.S. Appl. No. 29/550,547, filed Jan. 5, 2016, Huesman et al.

*Primary Examiner* — Sandra S Snapp

*Assistant Examiner* — Ieisha N Price

(74) *Attorney, Agent, or Firm* — Foley & Lardner LLP

(57) **CLAIM**

I claim the ornamental design for pruners, as shown and described.

**DESCRIPTION**

The patent or application file contains at least one drawing executed in color. Copies of this patent or patent application publication with color drawing(s) will be provided by the Office upon request and payment of the necessary fee.

FIG. 1 is a front view of the first embodiment of the claimed design;

FIG. 2 is a rear view thereof;

FIG. 3 is a top view thereof;

FIG. 4 is a bottom view thereof;

FIG. 5 is a perspective view thereof;

FIG. 6 is a left side elevation view thereof;

FIG. 7 is a right side elevation view thereof;

FIG. 8 is a front view of the second embodiment of the claimed design;

FIG. 9 is a rear view thereof;

FIG. 10 is a top view thereof;

FIG. 11 is a bottom view thereof;

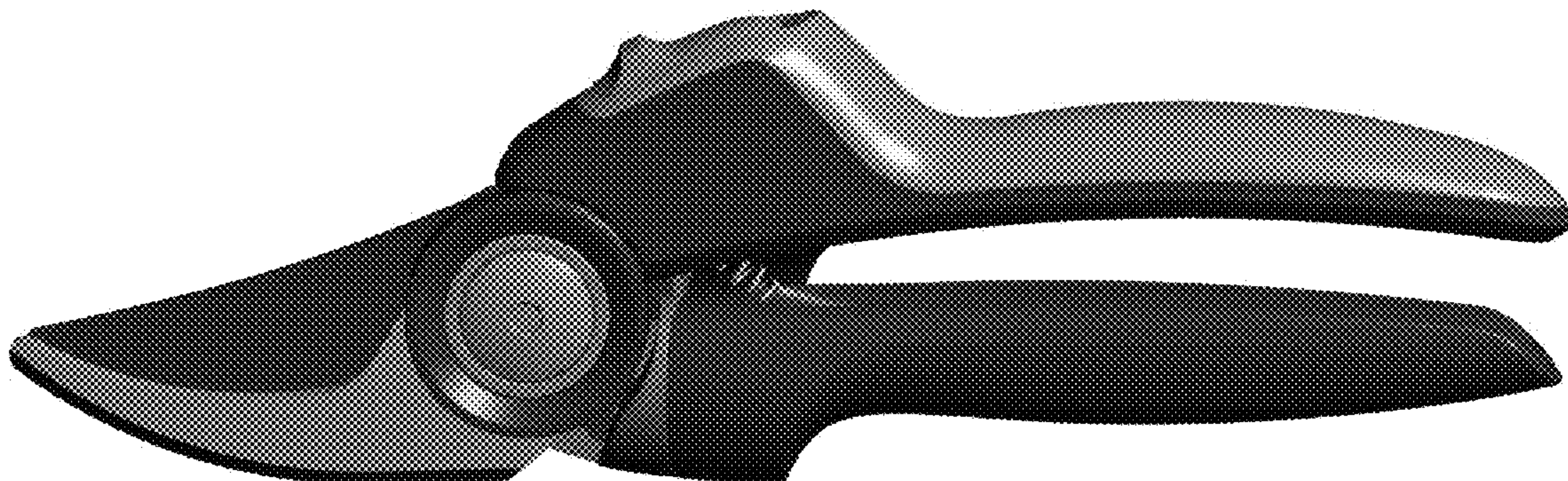
FIG. 12 is a perspective view thereof;

FIG. 13 is a left side elevation view thereof; and,

FIG. 14 is a right side elevation view thereof.

The broken lines in the drawings illustrate portions of the pruners and form no part of the claimed design.

**1 Claim, 14 Drawing Sheets**  
**(7 of 14 Drawing Sheet(s) Filed in Color)**





(56)

References Cited

U.S. PATENT DOCUMENTS

4,947,553 A 8/1990 Bendickson et al.  
 4,964,216 A 10/1990 Gosselin  
 5,020,222 A 6/1991 Gosselin et al.  
 5,058,277 A 10/1991 Kishimoto  
 D322,546 S 12/1991 Chan  
 D324,470 S \* 3/1992 Grove ..... D8/5  
 D331,691 S 12/1992 Chan  
 5,170,559 A \* 12/1992 Orthey ..... A01G 3/02  
 30/134  
 D335,807 S 5/1993 Birkholz  
 D336,222 S 6/1993 Wensley et al.  
 D336,412 S 6/1993 Wensley et al.  
 D339,725 S 9/1993 Birkholz  
 5,243,762 A 9/1993 Orthey  
 D341,526 S \* 11/1993 Clivio ..... D8/5  
 5,263,254 A \* 11/1993 Orthey ..... A01G 3/02  
 30/252  
 D342,652 S 12/1993 Wensley et al.  
 D344,218 S 2/1994 Wensley et al.  
 D344,219 S 2/1994 Wensley et al.  
 D344,220 S 2/1994 Wensley et al.  
 D350,466 S 9/1994 Ramsey et al.  
 D353,087 S 12/1994 Ramsey et al.  
 D354,205 S 1/1995 Wensley et al.  
 D354,890 S 1/1995 Concari et al.  
 D358,748 S 5/1995 Ramsey et al.  
 D359,427 S 6/1995 Birkholz  
 5,426,857 A 6/1995 Linden  
 D359,890 S 7/1995 Wensley  
 D361,700 S 8/1995 Birkholz  
 D362,162 S 9/1995 Wensley  
 5,469,625 A 11/1995 Melter et al.  
 D369,531 S 5/1996 Birkholz  
 5,570,510 A 11/1996 Linden  
 D377,588 S 1/1997 Birkholz  
 5,636,443 A 6/1997 Linden  
 D387,647 S 12/1997 Linden  
 5,697,159 A 12/1997 Linden  
 D393,193 S 4/1998 Schneider et al.  
 5,765,289 A 6/1998 Schulz et al.  
 D413,503 S 9/1999 Dugdale  
 D419,043 S \* 1/2000 Staton ..... D8/5  
 D426,447 S 6/2000 Chau  
 D427,491 S 7/2000 Deville  
 D427,493 S 7/2000 Wu  
 6,105,257 A 8/2000 Rutkowski et al.  
 D434,285 S 11/2000 Podlesny  
 D439,117 S \* 3/2001 Deville ..... D8/5  
 D439,812 S \* 4/2001 Staton ..... D8/5  
 6,223,372 B1 5/2001 Barber  
 D458,815 S 6/2002 Meyerratken  
 D458,816 S \* 6/2002 Meyerratken ..... D8/5  
 6,418,626 B1 \* 7/2002 Jang ..... A01G 3/02  
 30/254  
 D463,227 S \* 9/2002 Choi ..... D8/5  
 D464,539 S 10/2002 Richwine et al.  
 6,493,943 B1 12/2002 Linden  
 D469,323 S 1/2003 Linden  
 D470,732 S 2/2003 Wu  
 6,513,248 B2 2/2003 Linden et al.  
 D472,433 S 4/2003 Richwine et al.  
 6,643,937 B1 11/2003 Wu  
 D491,775 S 6/2004 Tomchak et al.

D494,032 S 8/2004 Rivera  
 6,789,324 B2 9/2004 Linden et al.  
 D496,838 S \* 10/2004 Tomchak ..... D8/5  
 D499,316 S 12/2004 Tatic  
 D499,317 S 12/2004 Tatic  
 D499,621 S 12/2004 Tatic  
 D501,378 S 2/2005 Tatic  
 D501,379 S 2/2005 Lipscomb et al.  
 6,859,828 B1 2/2005 Morgen et al.  
 D503,324 S 3/2005 Carlson et al.  
 D503,595 S 4/2005 Lipscomb et al.  
 D503,880 S 4/2005 McLean  
 6,938,347 B2 9/2005 Linden et al.  
 7,111,349 B2 9/2006 Goldberg  
 D534,563 S 1/2007 Yip  
 D536,940 S 2/2007 Peterson et al.  
 D537,311 S 2/2007 Peterson et al.  
 D546,646 S 7/2007 Shan  
 D547,139 S 7/2007 Shan  
 D547,140 S 7/2007 Shan  
 D547,141 S 7/2007 Shan  
 D549,335 S 8/2007 Junck  
 D555,442 S 11/2007 Kaposi  
 D557,086 S 12/2007 Lipscomb et al.  
 D567,601 S \* 4/2008 Klecker ..... D8/5  
 D570,167 S 6/2008 Kaposi  
 D576,011 S 9/2008 Lipscomb et al.  
 D576,486 S 9/2008 Koza  
 D580,235 S 11/2008 Wu  
 D580,236 S 11/2008 Wu  
 D582,733 S 12/2008 Davies et al.  
 D584,121 S 1/2009 Fancelli  
 D585,251 S 1/2009 Lee et al.  
 D595,548 S 7/2009 Lipscomb et al.  
 D600,092 S 9/2009 Peterson et al.  
 D607,702 S 1/2010 Wu  
 D619,434 S 7/2010 Goetz et al.  
 D628,031 S 11/2010 Stokes et al.  
 D628,032 S 11/2010 Stokes et al.  
 D630,067 S 1/2011 Block et al.  
 D635,417 S 4/2011 Huang  
 D638,673 S \* 5/2011 Huang ..... D8/5  
 D648,192 S \* 11/2011 Wu ..... D8/5  
 D651,053 S \* 12/2011 Roberts ..... D8/5  
 D655,990 S 3/2012 Block et al.  
 D680,829 S \* 4/2013 Nelson ..... D8/5  
 D698,214 S \* 1/2014 Sade ..... D8/5  
 D706,097 S \* 6/2014 Lyytikainen ..... D8/5  
 D706,590 S \* 6/2014 Sade ..... D8/5  
 D716,114 S 10/2014 Lyytikainen et al.  
 D721,255 S 1/2015 Lee  
 D750,454 S \* 3/2016 Lambin ..... D8/5  
 D750,455 S \* 3/2016 Wu ..... D8/5  
 D765,479 S \* 9/2016 Lambin ..... D8/5  
 D778,694 S \* 2/2017 Lambin ..... D8/5  
 D781,673 S 3/2017 Sokka et al.  
 D793,824 S \* 8/2017 Sokka ..... D8/5  
 2003/0079576 A1 5/2003 Lo  
 2003/0126747 A1 7/2003 Kusaba  
 2008/0295339 A1 12/2008 Lipscomb et al.  
 2008/0295341 A1 12/2008 Lipscomb et al.  
 2011/0023309 A1 \* 2/2011 Huang ..... A01G 3/02  
 30/234  
 2016/0183475 A1 \* 6/2016 Wu ..... A01G 3/021  
 30/250

\* cited by examiner



FIG. 1





FIG. 2

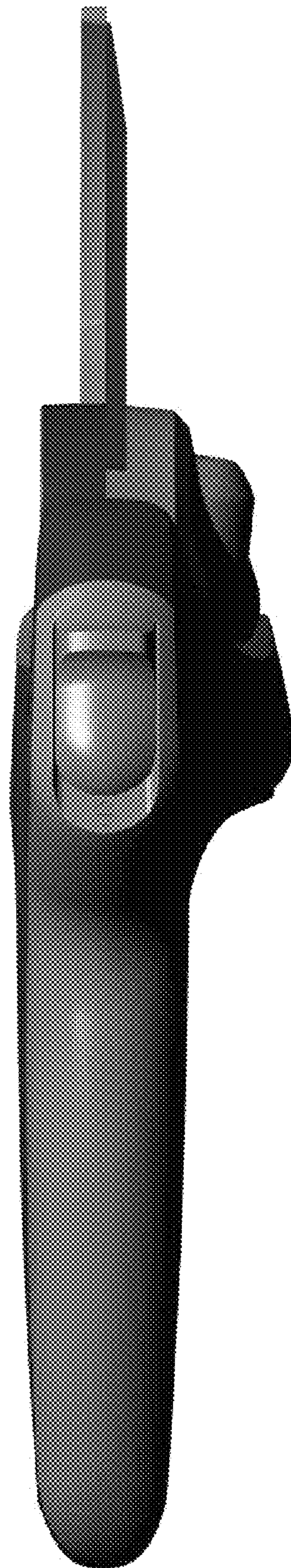


FIG. 3



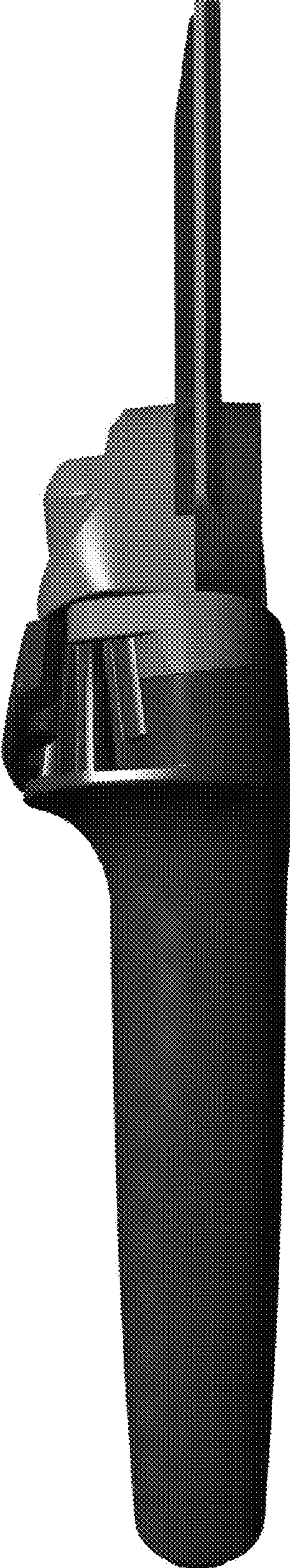


FIG. 4





FIG. 5





FIG. 6





FIG. 7



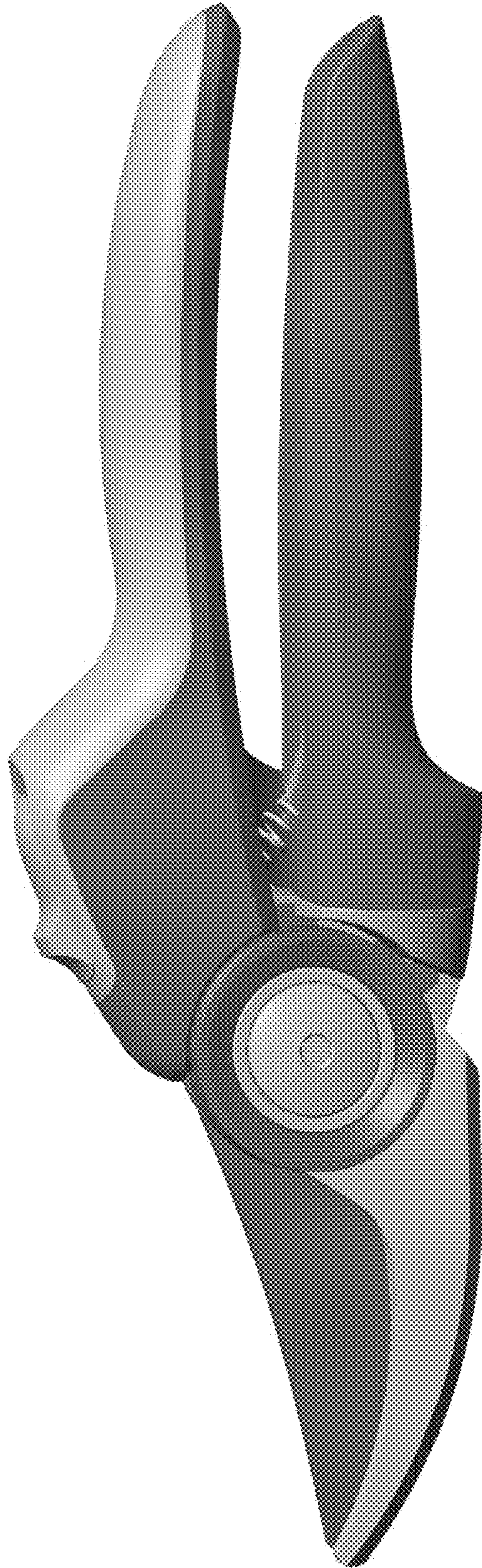


FIG. 8



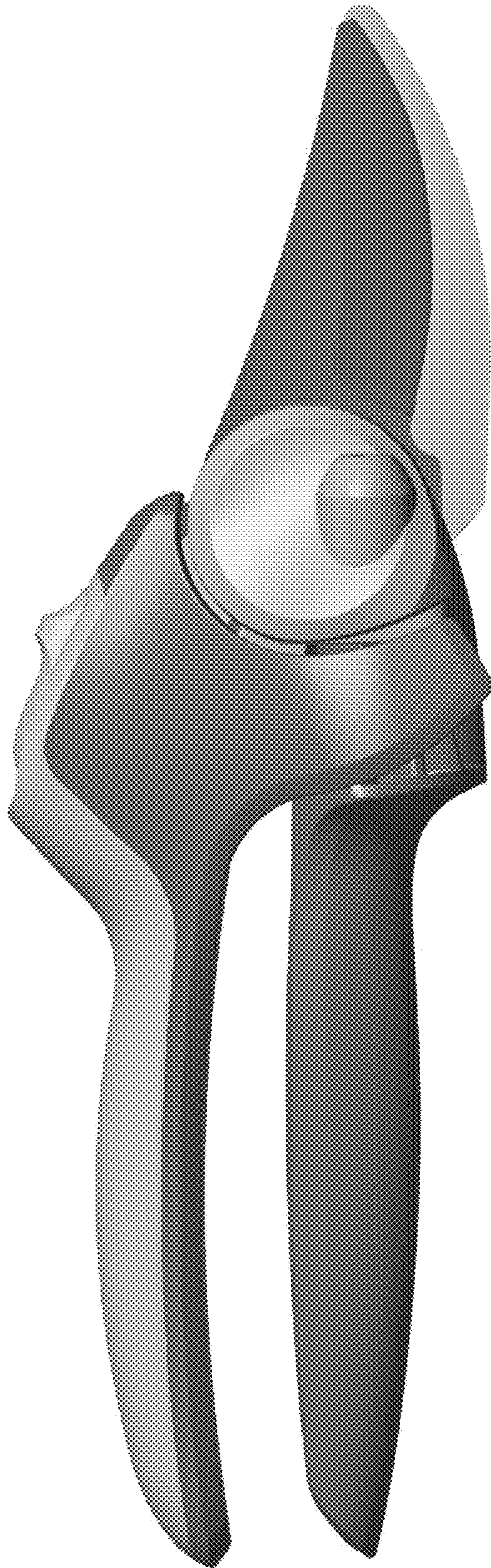


FIG. 9



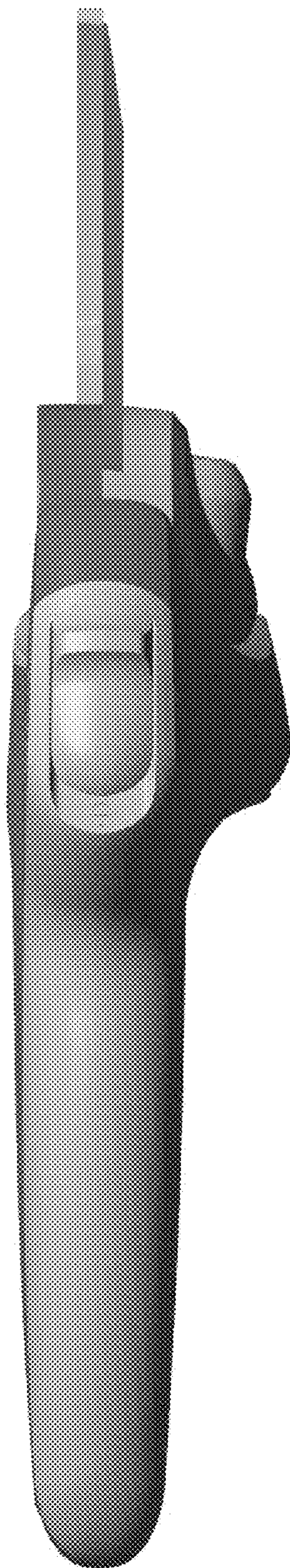


FIG. 10



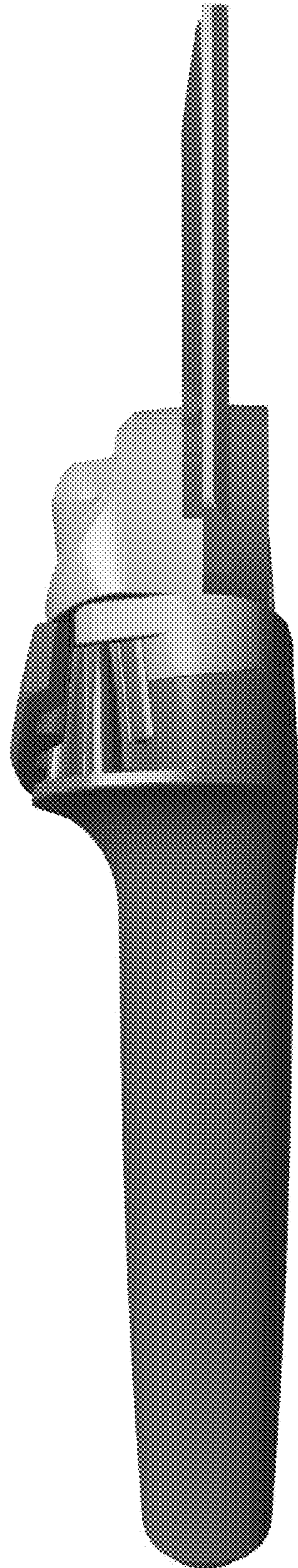


FIG. 11



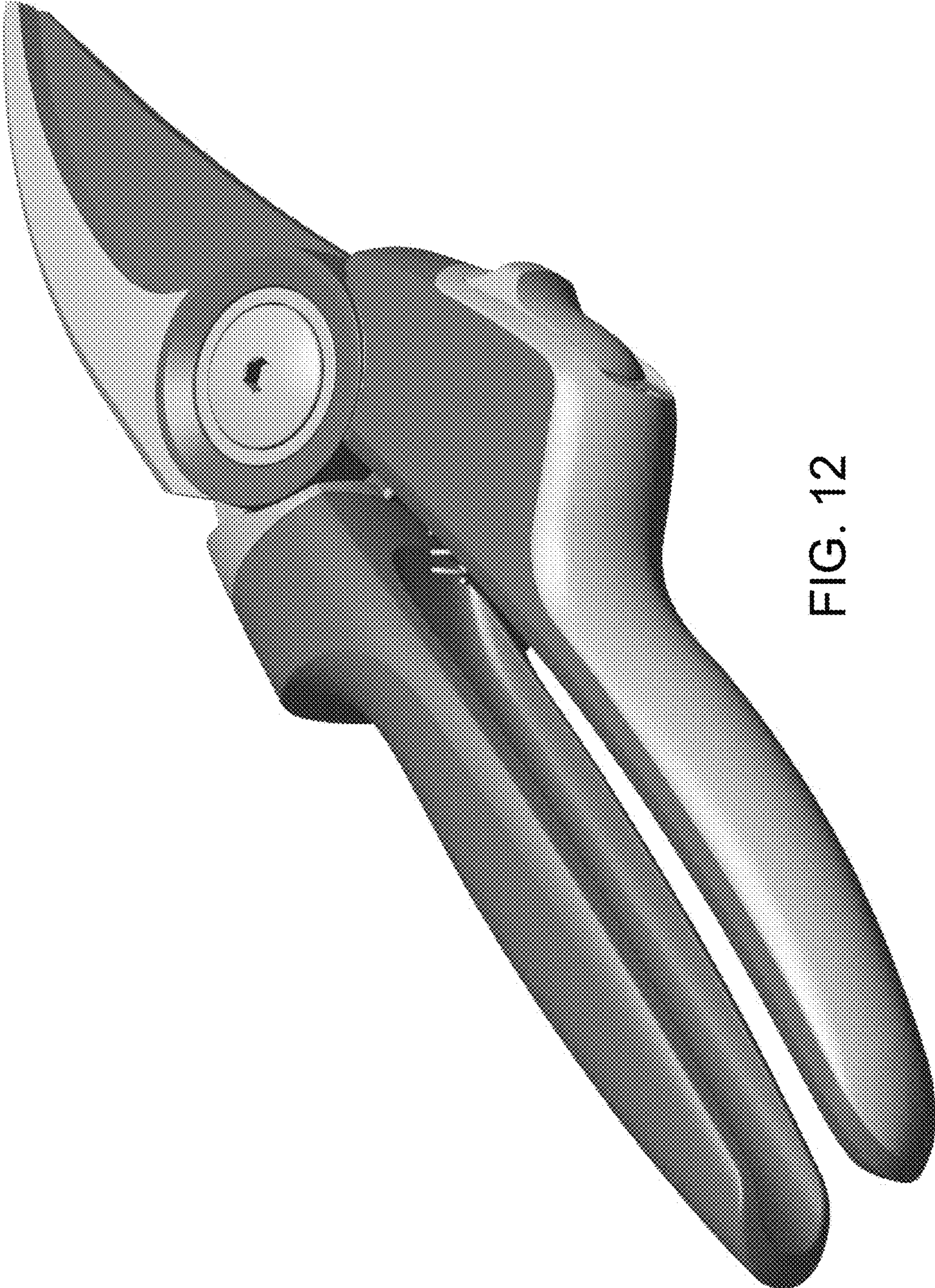


FIG. 12



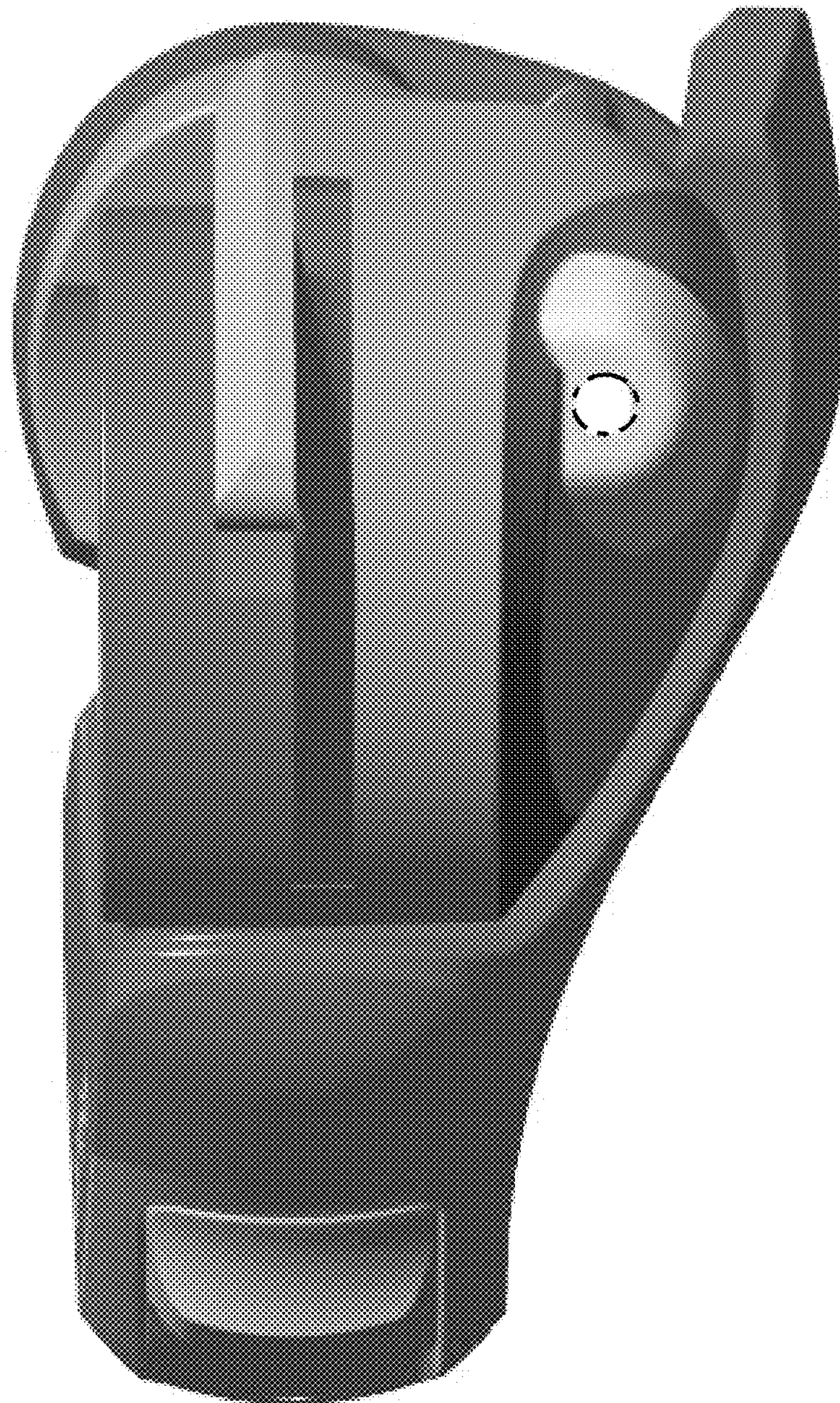


FIG. 13



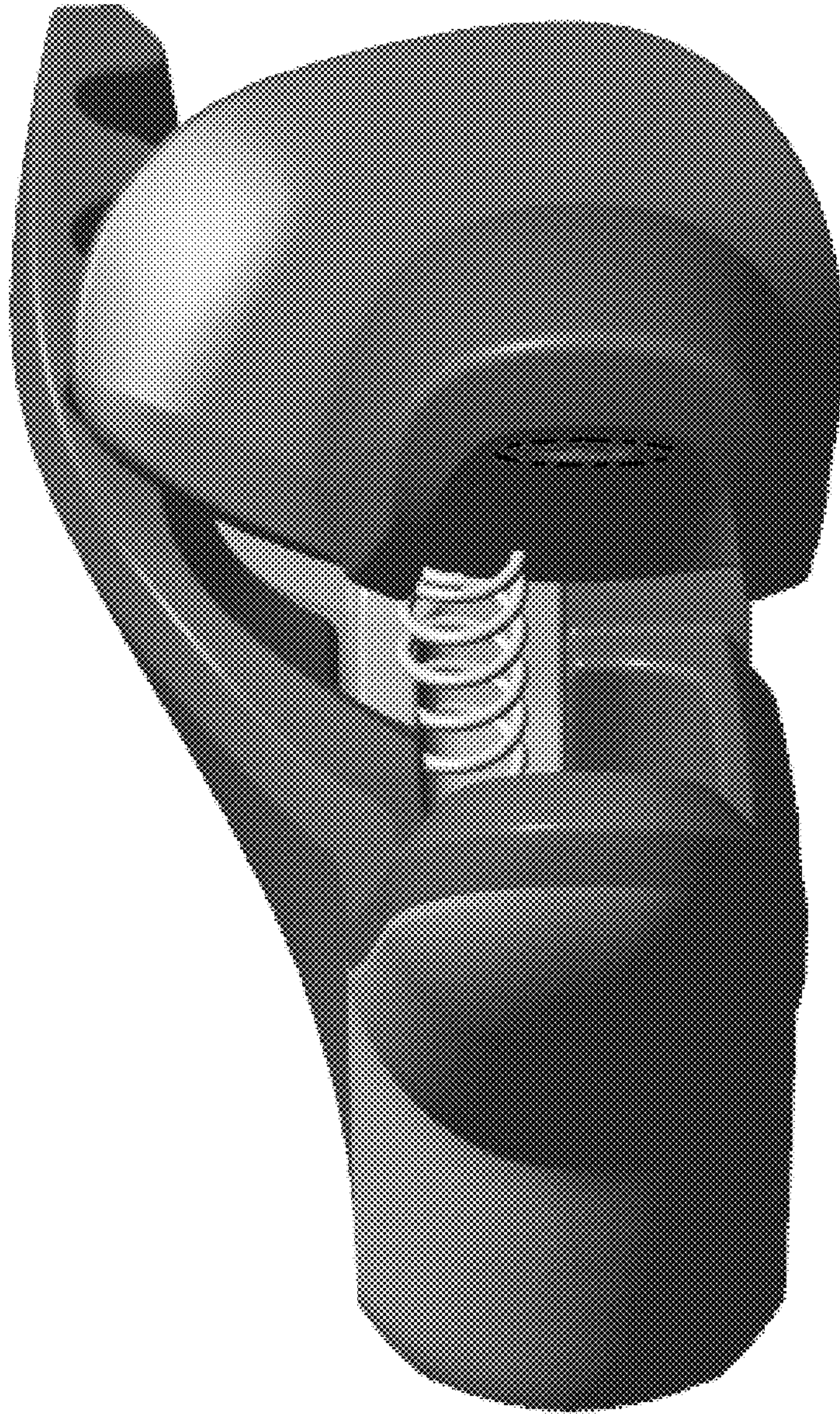


FIG. 14