



US00D827397S

(12) **United States Design Patent**
Bagley

(10) **Patent No.:** **US D827,397 S**

(45) **Date of Patent:** **** Sep. 4, 2018**

(54) **HAND HELD SPIRALIZER**

(71) Applicant: **Progressive International Corporation, Kent, WA (US)**

(72) Inventor: **Justin Bagley, Seattle, WA (US)**

(73) Assignee: **PROGRESSIVE INTERNATIONAL CORPORATION, Kent, WA (US)**

(**) Term: **15 Years**

(21) Appl. No.: **29/597,409**

(22) Filed: **Mar. 16, 2017**

(51) **LOC (11) Cl.** **07-04**

(52) **U.S. Cl.**
USPC **D7/693**

(58) **Field of Classification Search**
USPC D7/680-696, 393, 395, 368, 669
CPC .. A47J 17/00; A47J 17/02; A47J 17/04; A47J
17/06; A47J 17/08; A47J 43/0722; A47J
43/28; A47J 43/00; B26D 3/00; B26D
3/24

See application file for complete search history.

(56) **References Cited**

U.S. PATENT DOCUMENTS

5,471,746 A * 12/1995 Agrimis A47J 17/02
30/123.5
D630,913 S * 1/2011 Mishan D7/693

D718,581 S * 12/2014 Exley D7/695
2013/0126650 A1 * 5/2013 Hotaling A47J 43/0716
241/275
2014/0338507 A1 * 11/2014 Whewell, Jr. A47J 17/02
83/13
2015/0075011 A1 * 3/2015 Harris A47J 17/02
30/279.6
2016/0227954 A1 * 8/2016 Chang A47J 17/02

* cited by examiner

Primary Examiner — Terry A Wallace

(74) *Attorney, Agent, or Firm* — Lowe Graham Jones
PLLC

(57) **CLAIM**

The ornamental design for a hand held spiralizer, as shown and described.

DESCRIPTION

FIG. 1 is a top perspective view of a hand held spiralizer, showing my new design.

FIG. 2 is a front view of the hand held spiralizer.

FIG. 3 is a rear view of the hand held spiralizer.

FIG. 4 is a left side view of the hand held spiralizer.

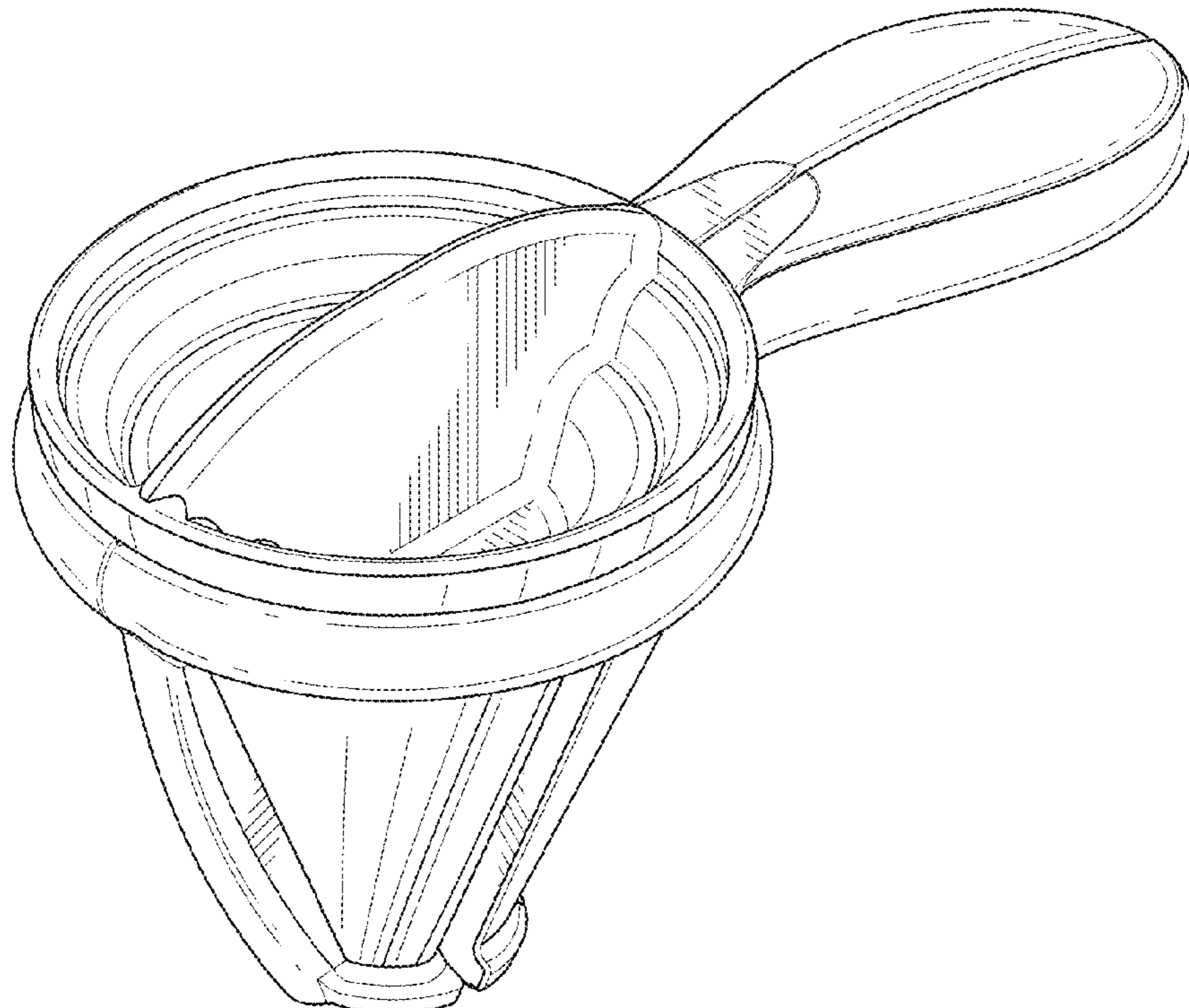
FIG. 5 is a right side view of the hand held spiralizer.

FIG. 6 is a top view of the hand held spiralizer; and,

FIG. 7 is a bottom view of the hand held spiralizer.

The broken lines are for illustrative purposes only and form no part of the claimed design.

1 Claim, 7 Drawing Sheets



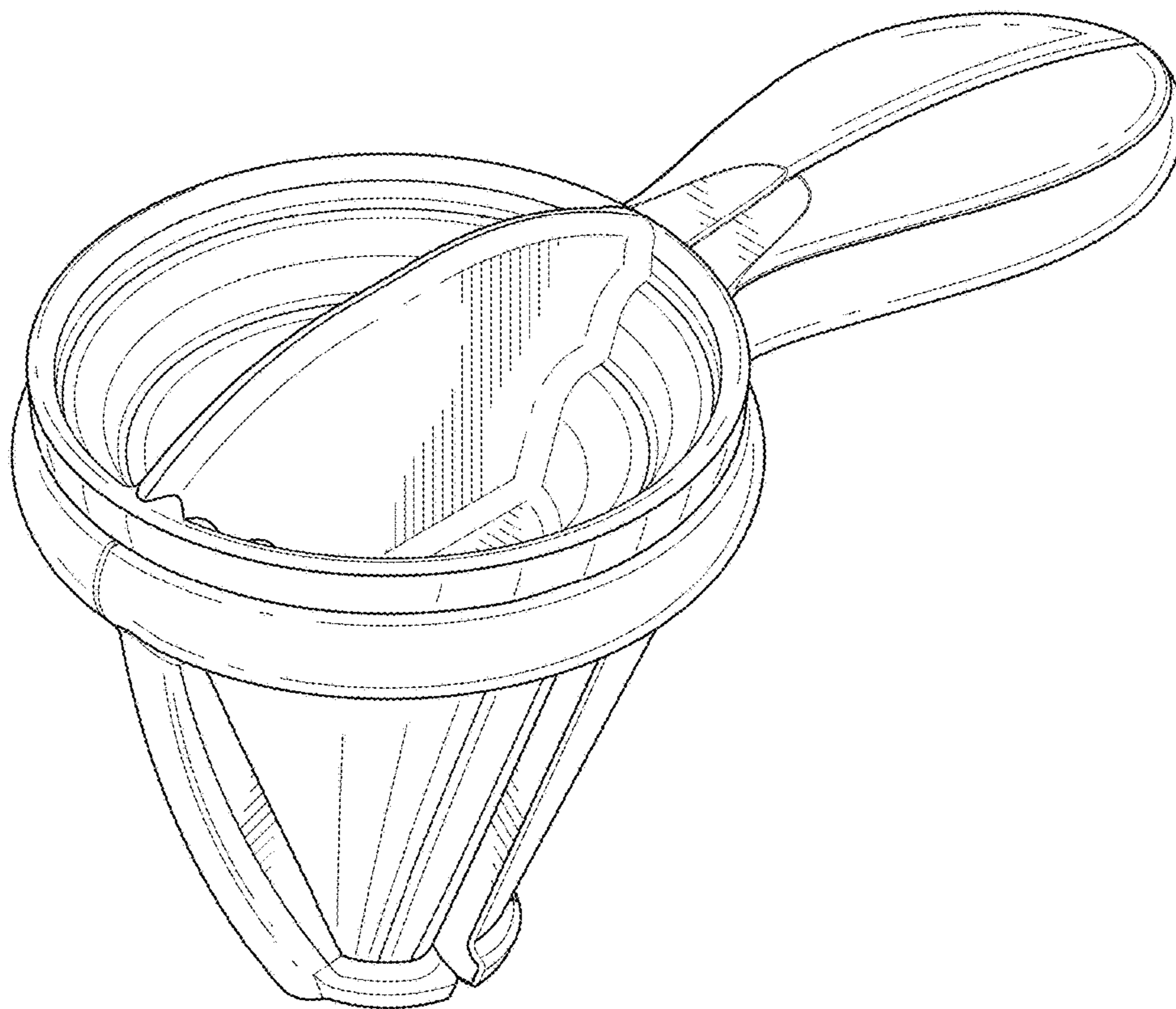


FIG. 1

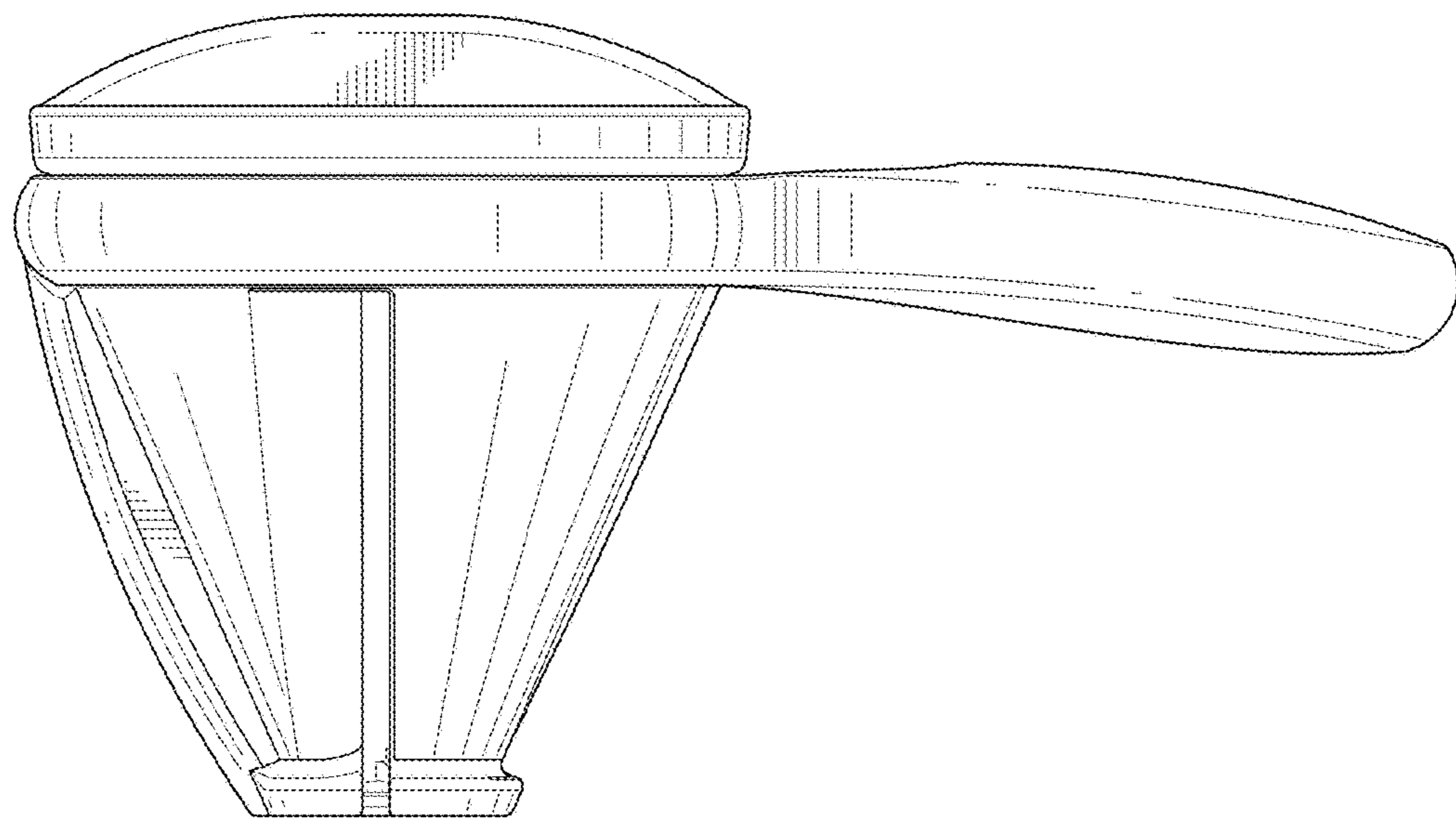


FIG. 2

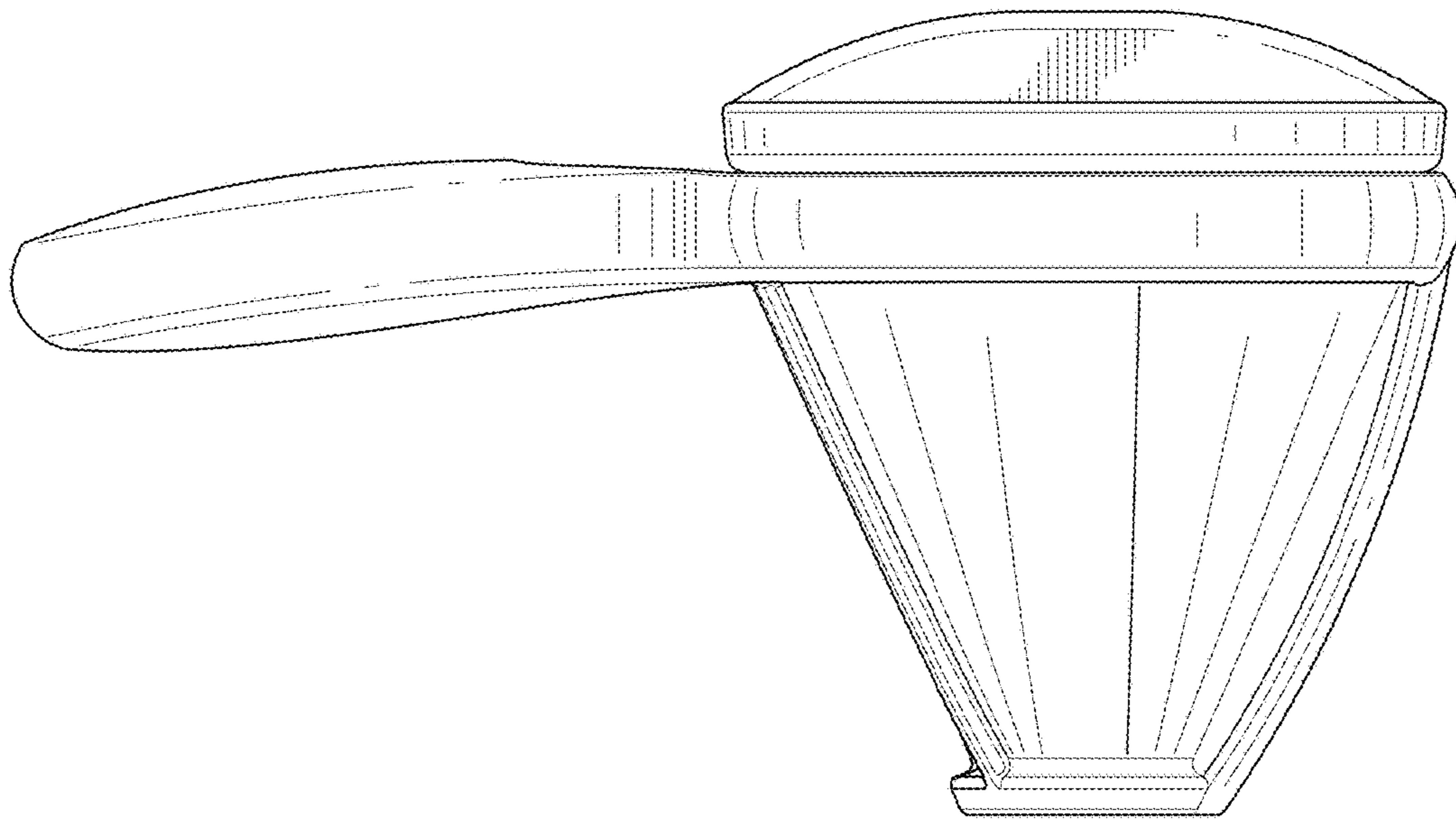


FIG.3

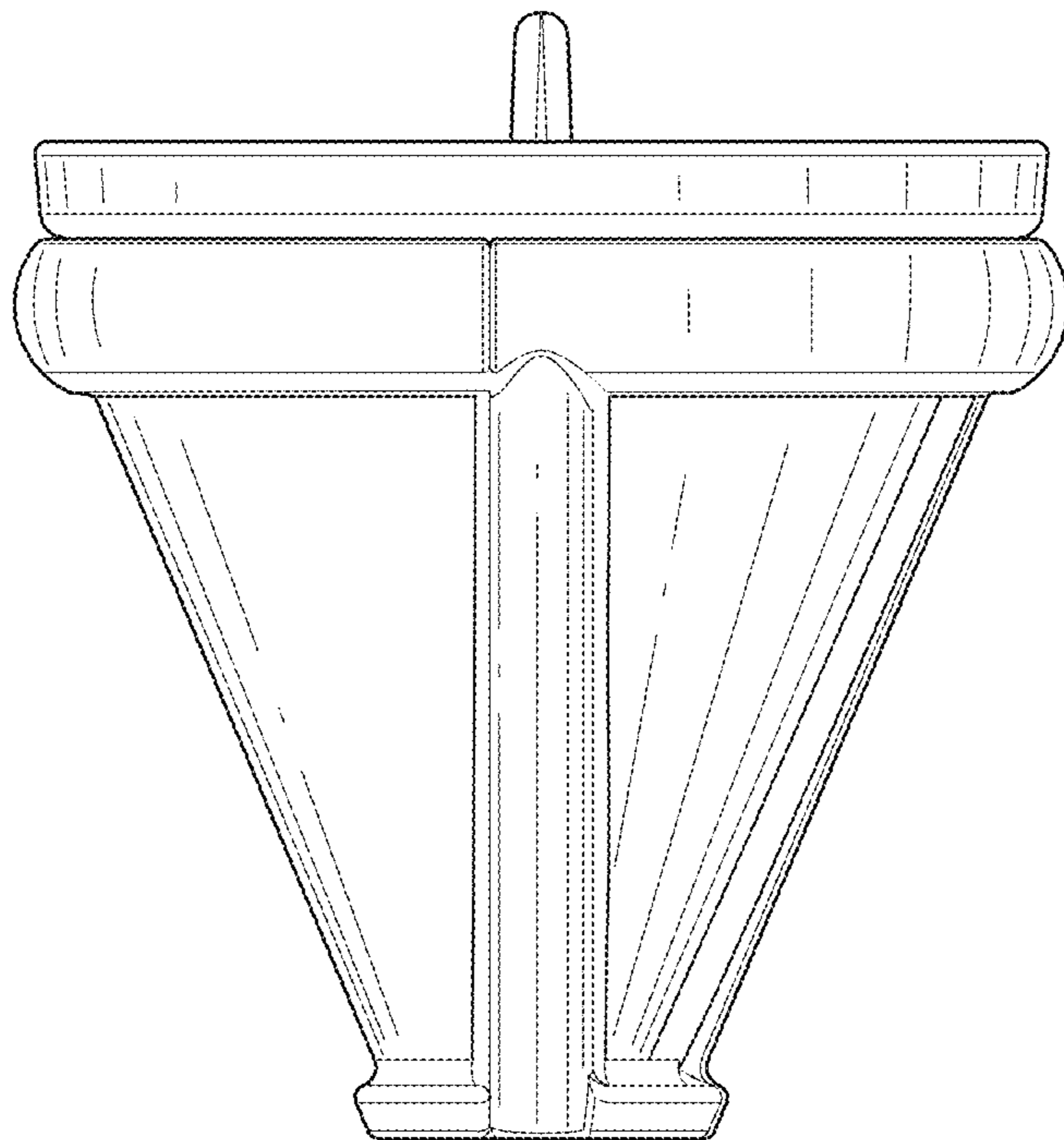


FIG.4

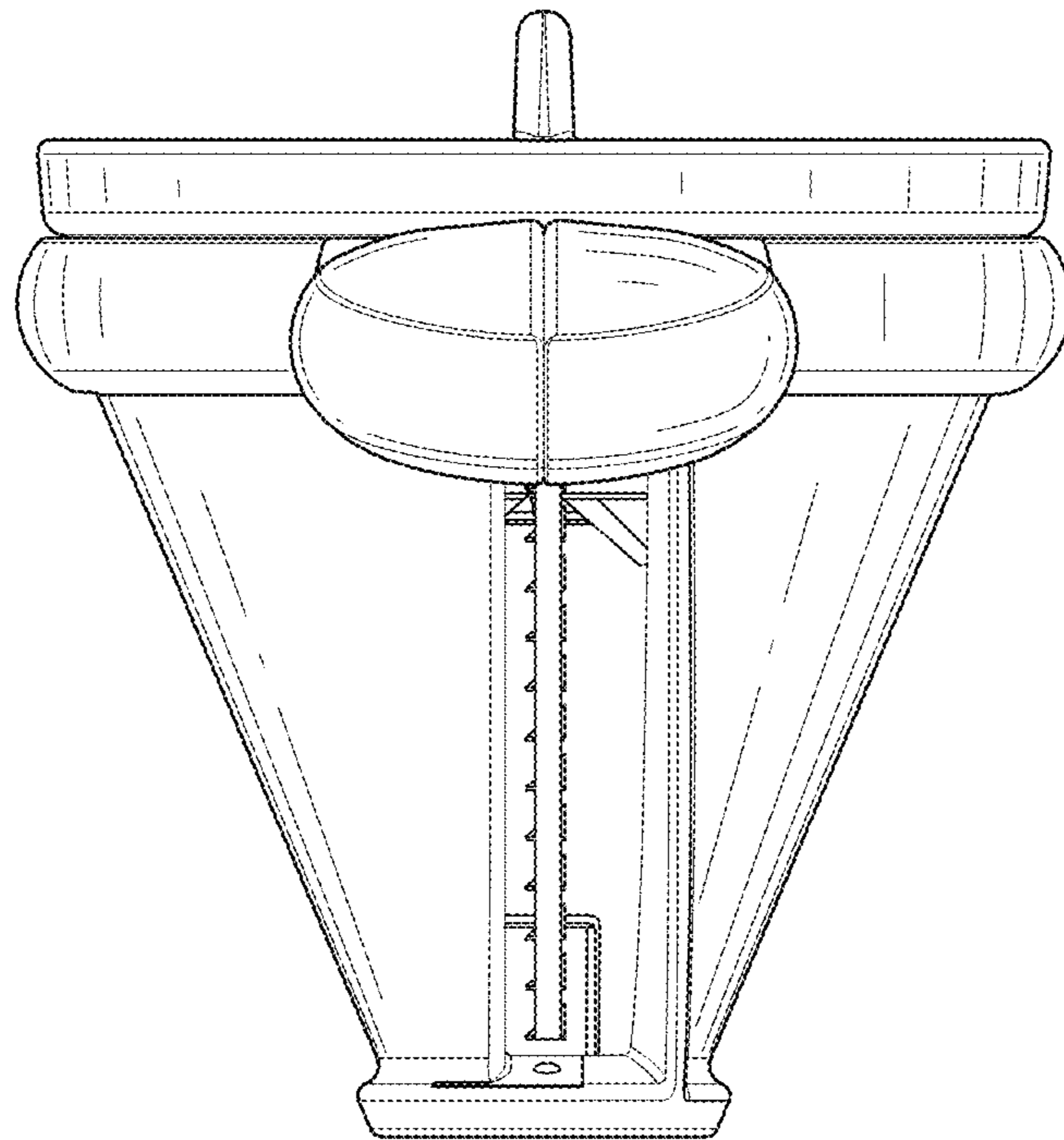


FIG. 5

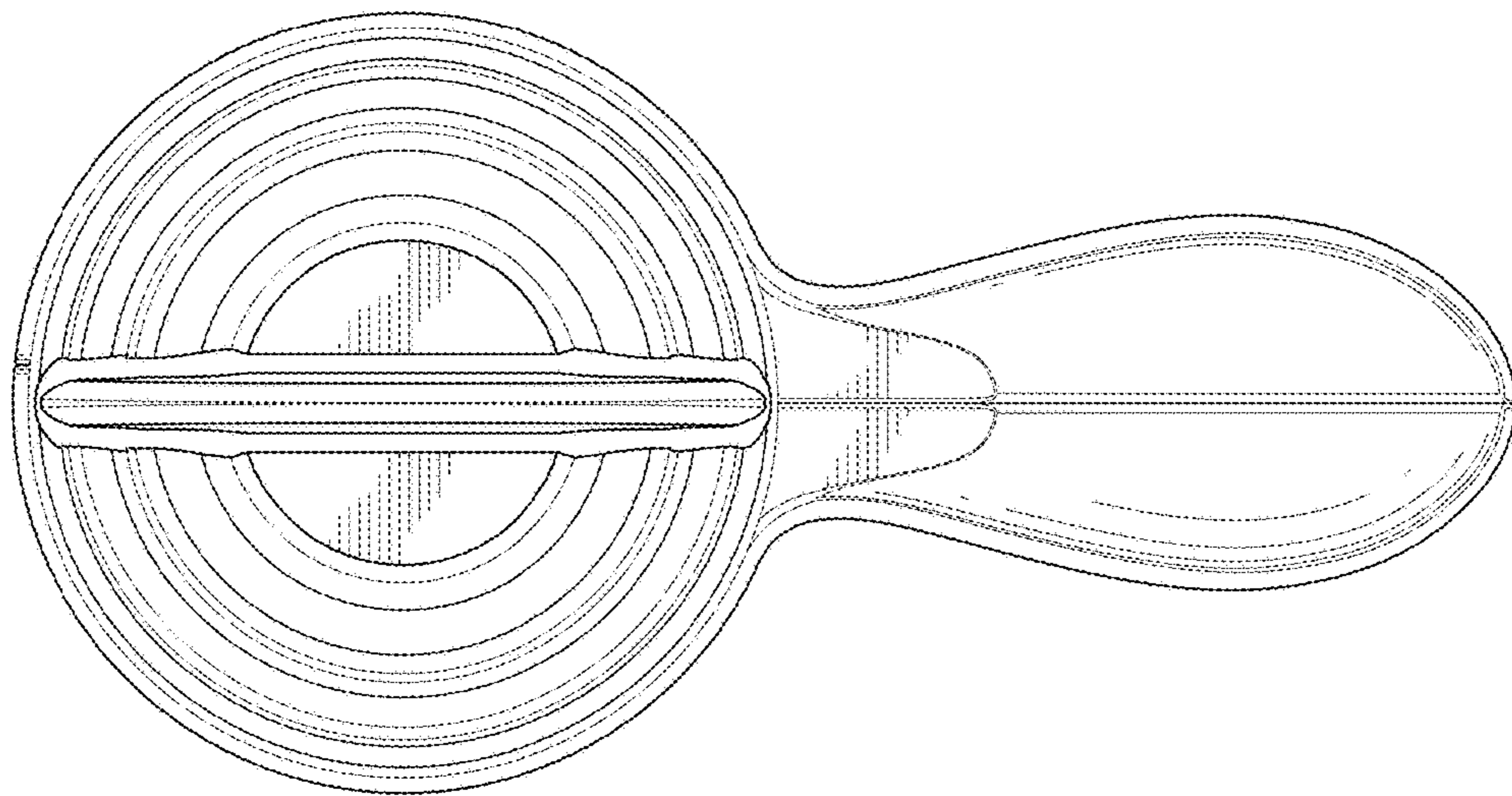


FIG. 6

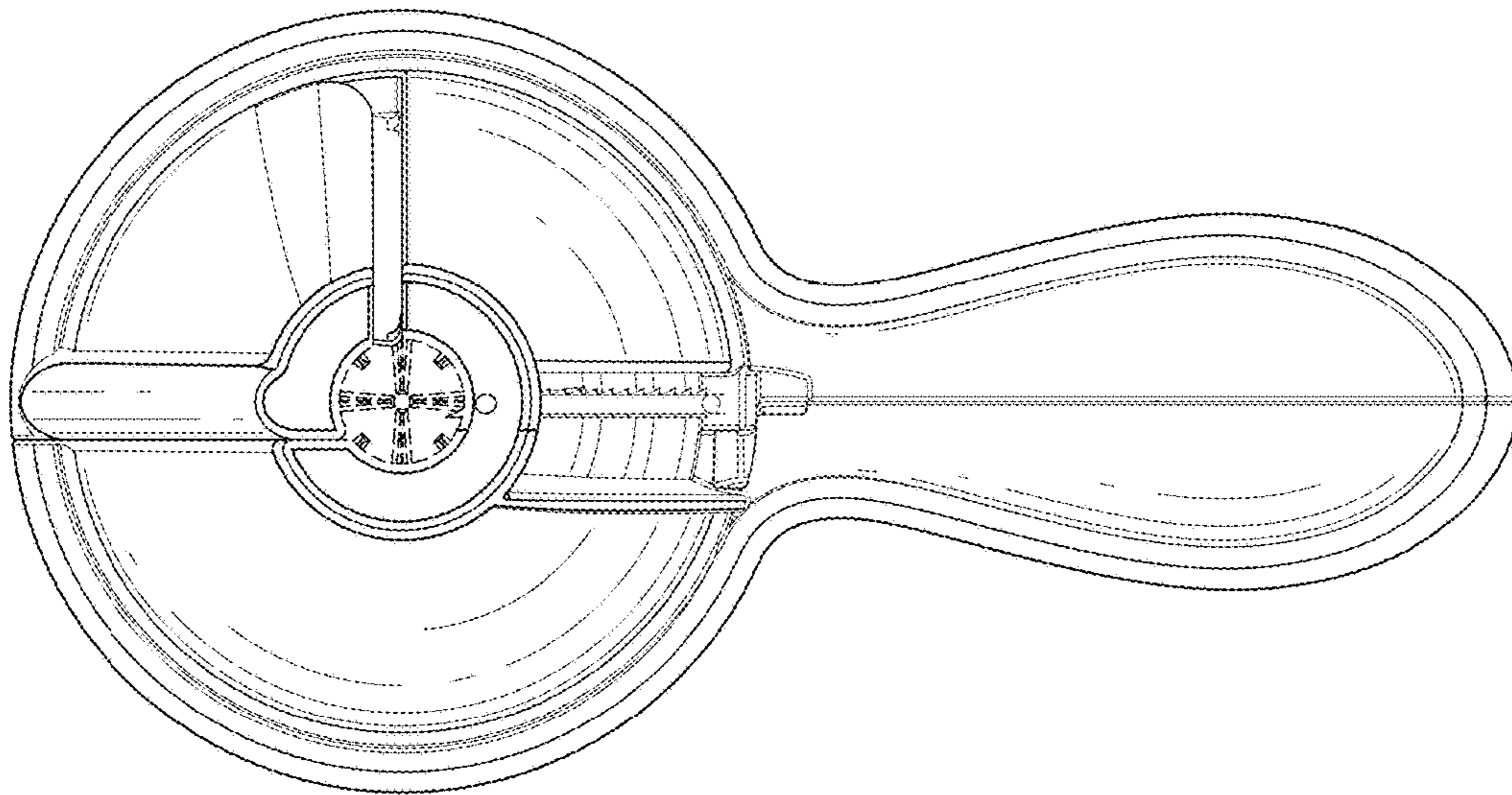


FIG. 7