



US00D827396S

(12) **United States Design Patent**
Priestly

(10) **Patent No.:** **US D827,396 S**

(45) **Date of Patent:** **** Sep. 4, 2018**

(54) **SCOOP**

(71) Applicant: **Samuel Priestly**, Breakfast Point (AU)

(72) Inventor: **Samuel Priestly**, Breakfast Point (AU)

(**) Term: **15 Years**

(21) Appl. No.: **29/614,836**

(22) Filed: **Aug. 23, 2017**

(30) **Foreign Application Priority Data**

Feb. 27, 2017 (AU) 201711167

(51) **LOC (11) Cl.** **07-02**

(52) **U.S. Cl.**
USPC **D7/691**

(58) **Field of Classification Search**
USPC D7/680-696, 669, 393, 395; D10/46.2,
D10/46.3
CPC A47G 21/04; A47J 43/281; A47J 43/283;
A47J 43/288; A01B 1/02; A47F 13/08;
F24B 15/06
See application file for complete search history.

(56) **References Cited**

U.S. PATENT DOCUMENTS

3,013,436 A * 12/1961 Dailey A61J 7/0046
215/DIG. 5
3,994,522 A * 11/1976 Hinshaw A47J 43/28
220/203.16

D274,777 S * 7/1984 Wolff D7/681
D297,202 S * 8/1988 Zumwalt D7/667
D404,662 S * 1/1999 Prindle D10/46.2
D437,530 S * 2/2001 Niven D7/691
D503,317 S * 3/2005 Anderson D10/46.2
D579,557 S * 10/2008 Washington D24/122

* cited by examiner

Primary Examiner — Terry A Wallace

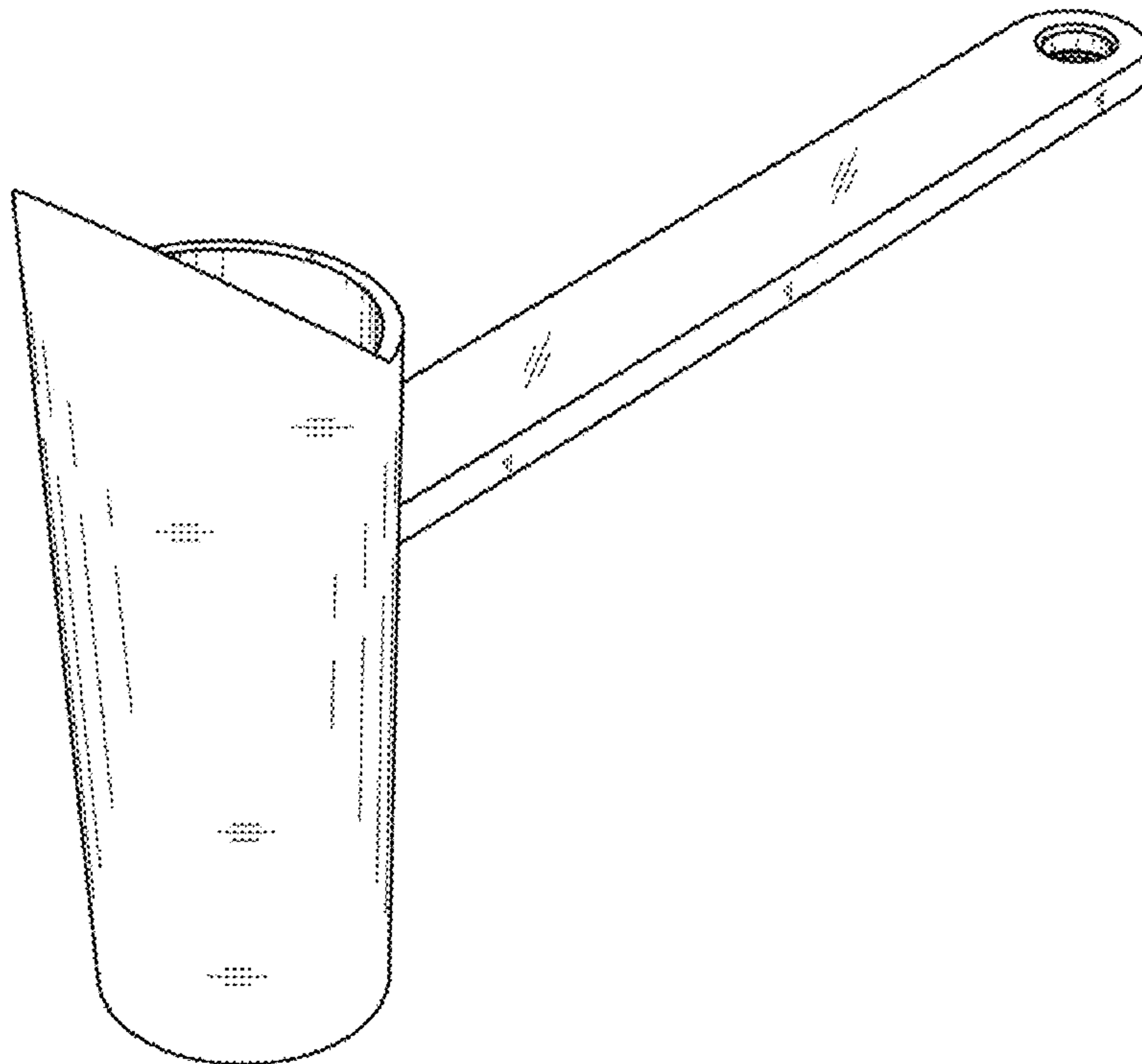
(57) **CLAIM**

The ornamental design for a scoop, as shown and described.

DESCRIPTION

FIG. 1 is a left side perspective view of a scoop showing the new design;
FIG. 2 is a right side perspective view thereof;
FIG. 3 is a top view;
FIG. 4 is a bottom view;
FIG. 5 is a right side view;
FIG. 6 is a left side view; and,
FIG. 7 is a front side view, the rear side view being a mirror image thereof.

1 Claim, 7 Drawing Sheets



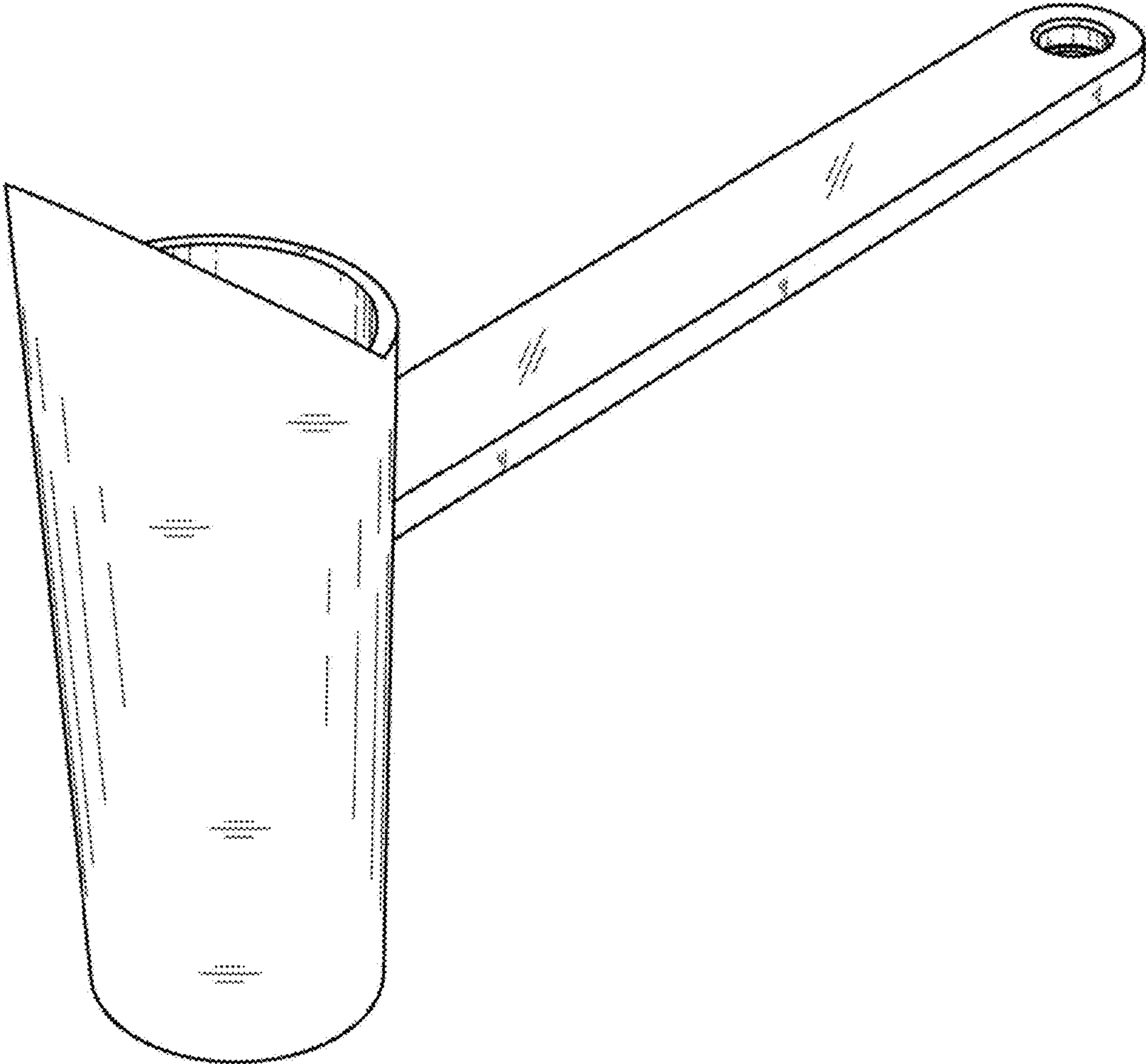


FIG. 1

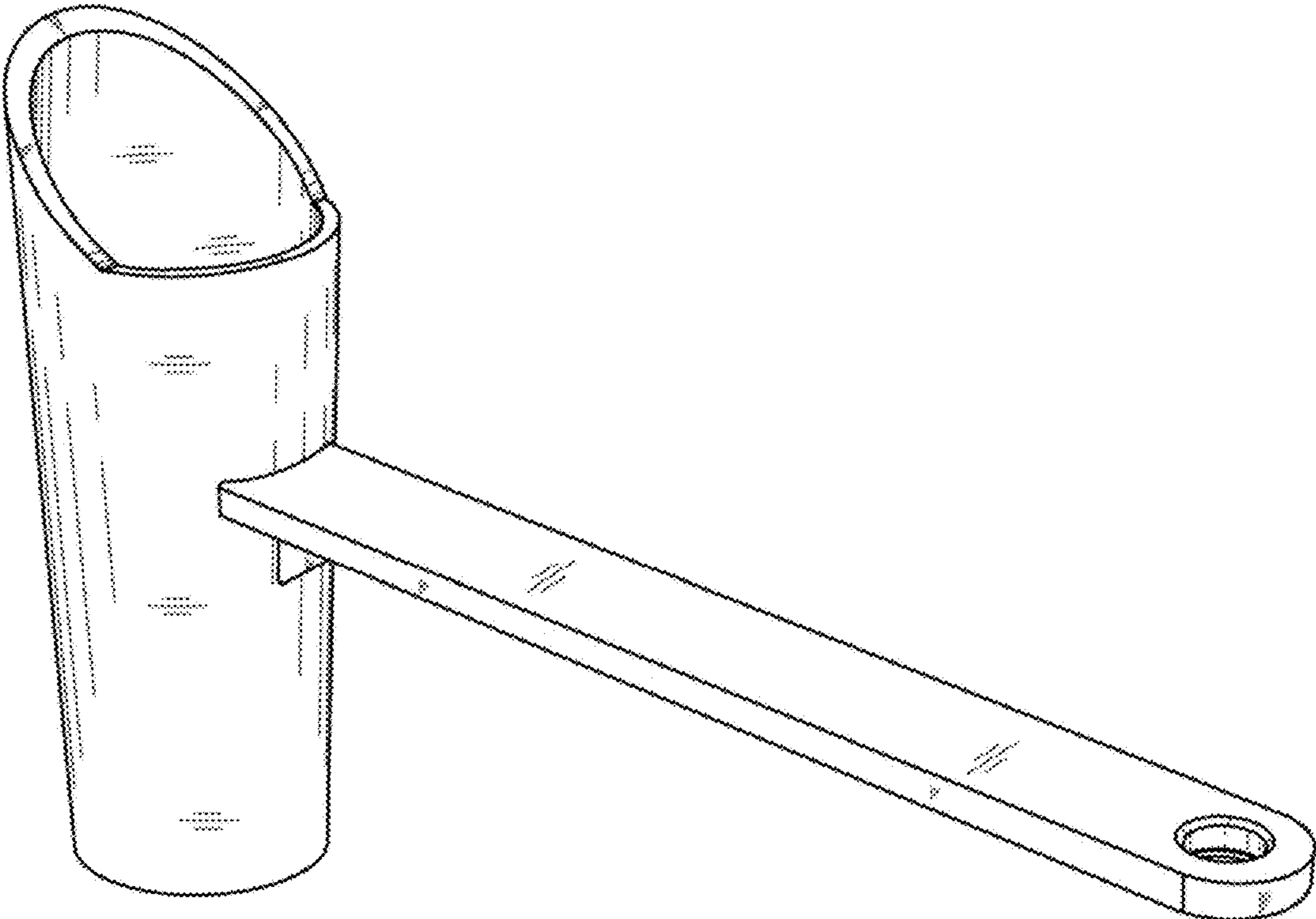


FIG. 2

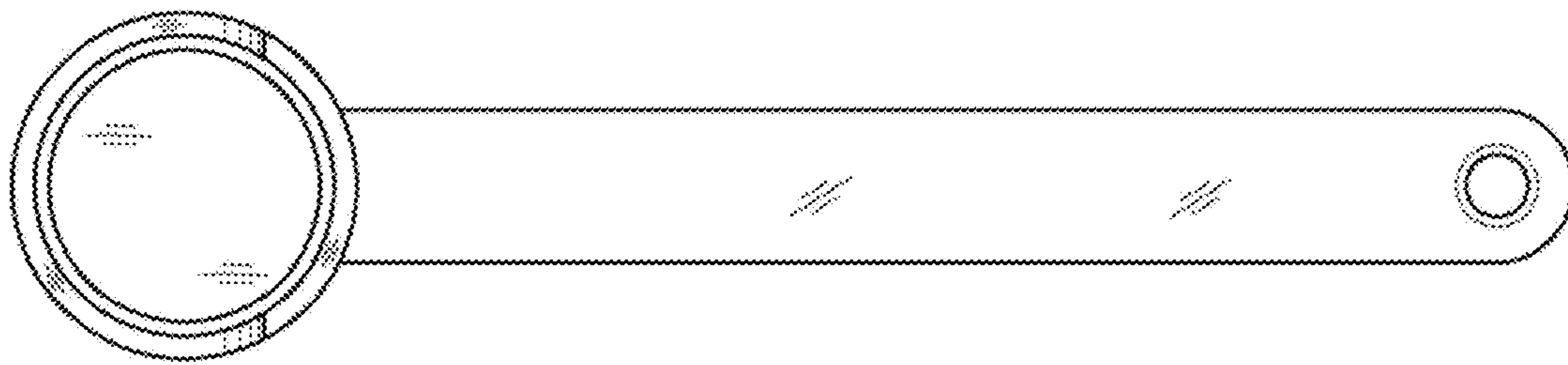


FIG. 3

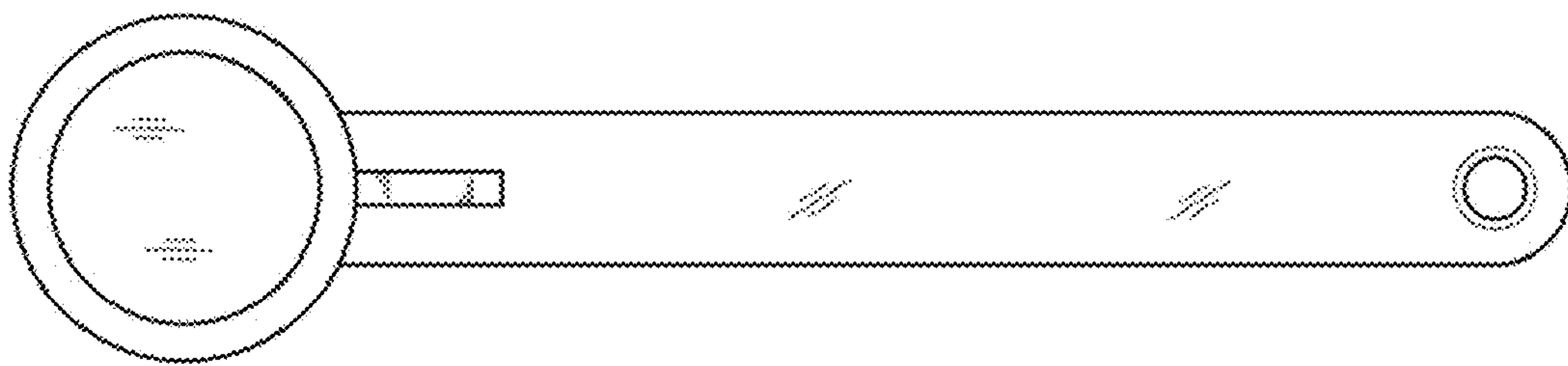


FIG. 4

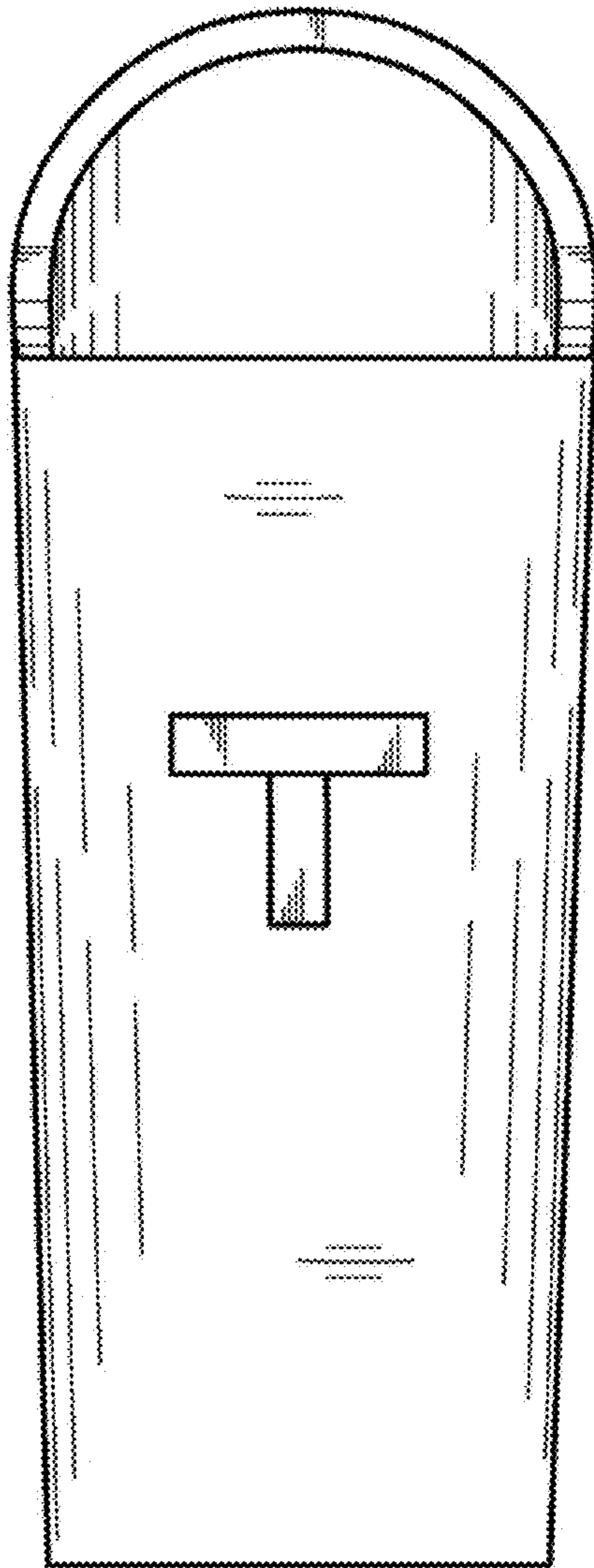


FIG. 5

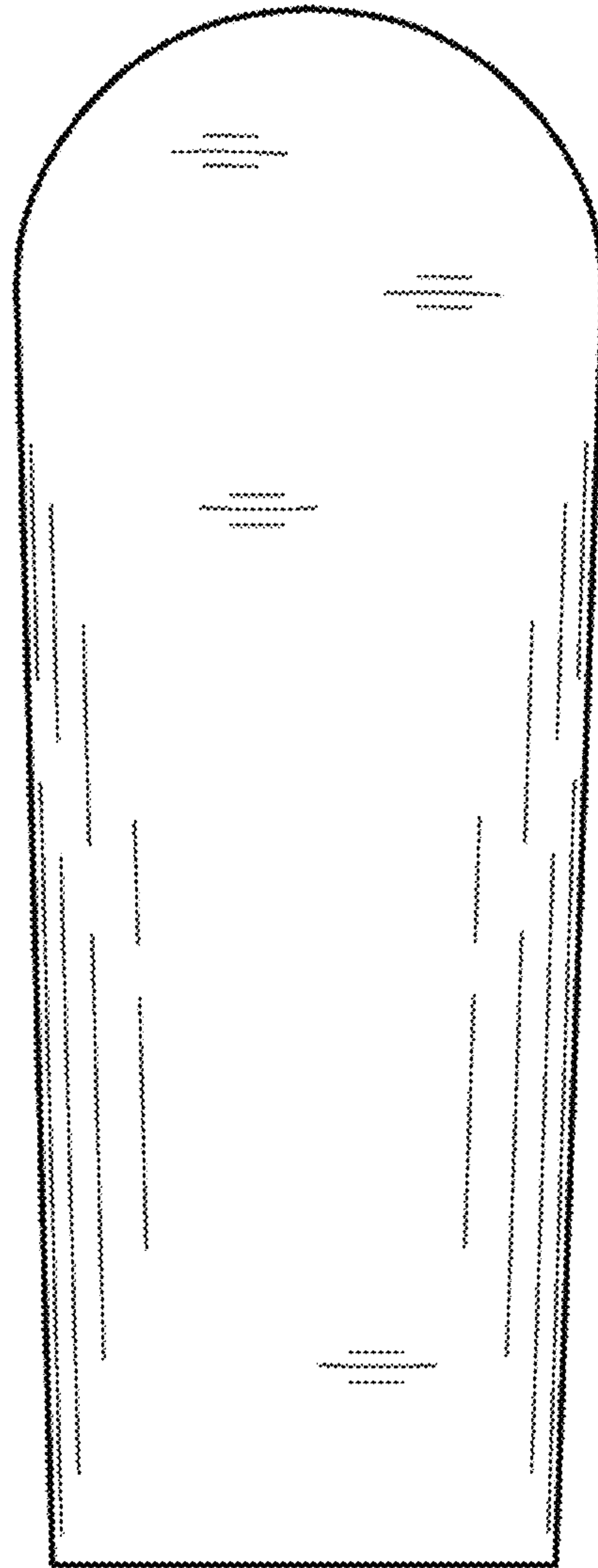


FIG. 6

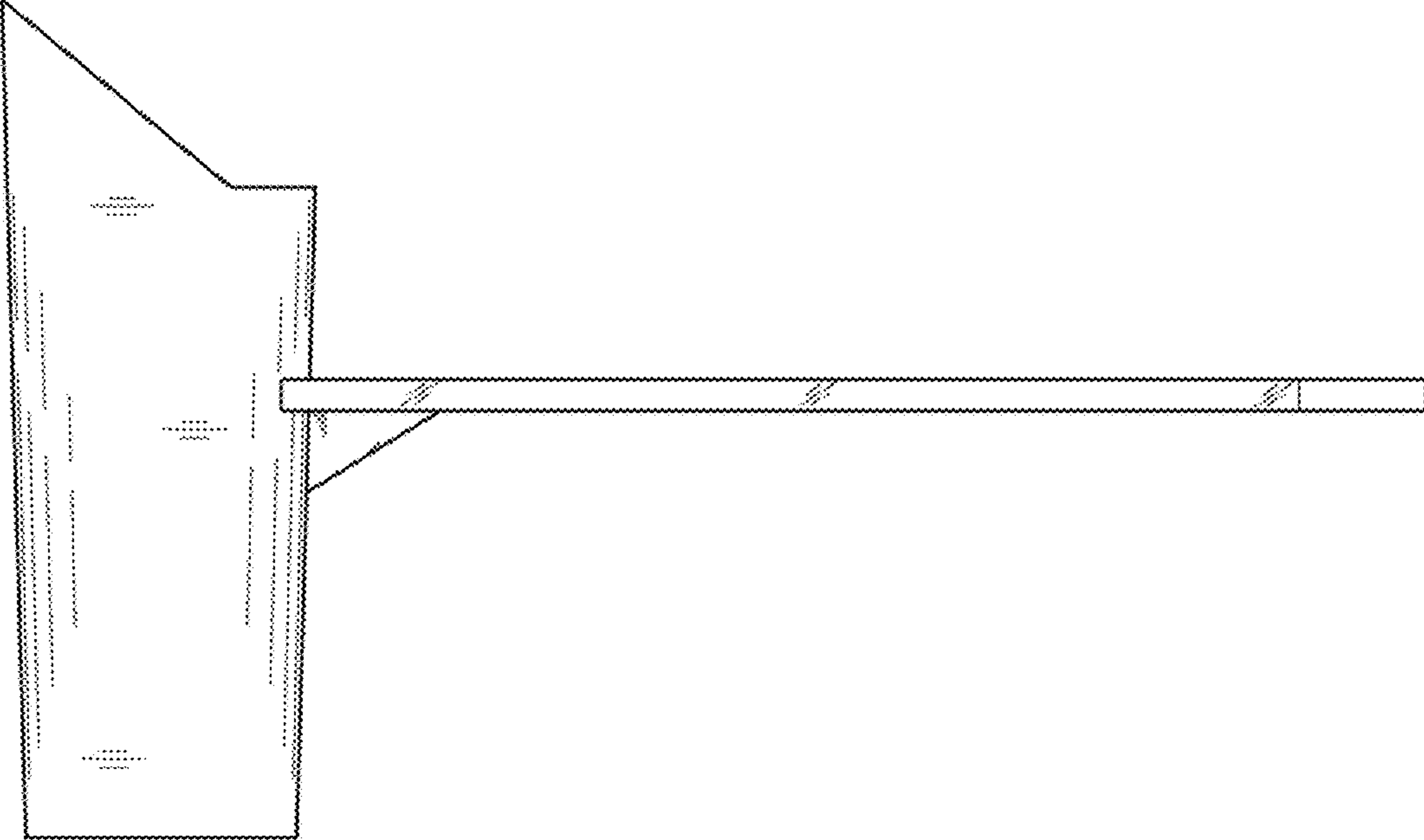


FIG. 7