

US00D827395S

(12) **United States Design Patent**
Shymkus

(10) **Patent No.:** **US D827,395 S**

(45) **Date of Patent:** **** Sep. 4, 2018**

- (54) **KITCHEN SCOOP**
- (71) Applicant: **Starburst, Corp.**, Watervliet, MI (US)
- (72) Inventor: **James Shymkus**, Watervliet, MI (US)
- (73) Assignee: **Starburst, Corp.**, Watervliet, MI (US)
- (**) Term: **15 Years**
- (21) Appl. No.: **29/602,878**

D245,471 S *	8/1977	MacInnis	D7/691
D283,196 S *	4/1986	Hasse	111/106
4,686,734 A *	8/1987	Alexander	A47L 13/52
			15/257.1
D303,747 S *	10/1989	Wenkman	D7/691
D308,278 S *	5/1990	Edwards	D21/392
D394,371 S *	5/1998	Cousins	D7/691
2003/0150627 A1 *	8/2003	Timmons	A01B 1/02
			172/377
2003/0230905 A1 *	12/2003	Daniele	A47F 13/08
			294/212

- (22) Filed: **May 4, 2017**
- (51) **LOC (11) Cl.** **07-04**
- (52) **U.S. Cl.**
USPC **D7/691**
- (58) **Field of Classification Search**
USPC D7/691, 669, 692; D8/1; D99/28, 34, 43
CPC A47F 13/08; A47J 43/28
See application file for complete search history.

* cited by examiner

Primary Examiner — Terry A Wallace
(74) *Attorney, Agent, or Firm* — Babcock IP, PLLC

(57) **CLAIM**

The ornamental design for a kitchen scoop, as shown and described.

DESCRIPTION

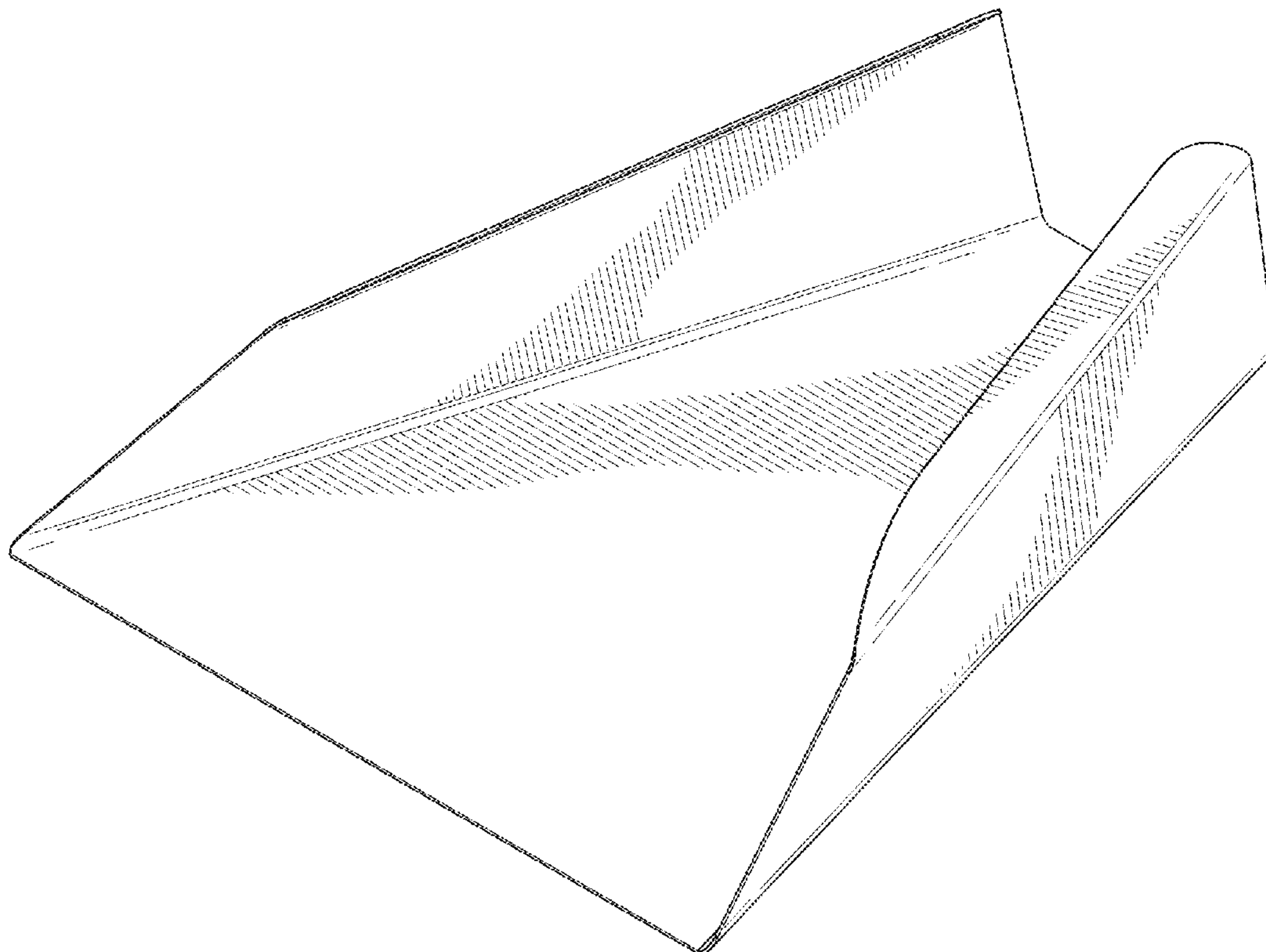
FIG. 1 is a top, front perspective view of a kitchen scoop showing my new design.
FIG. 2 is a top view thereof;
FIG. 3 is a bottom view thereof;
FIG. 4 is a left side view thereof;
FIG. 5 is a right side view thereof;
FIG. 6 is a front view thereof; and,
FIG. 7 is a back view thereof.

(56) **References Cited**

U.S. PATENT DOCUMENTS

217,528 A *	7/1879	Gourley	A01B 1/02
			294/176
D147,459 S *	9/1947	Kloth	141/108
3,255,570 A *	6/1966	Wiemer	B65B 67/04
			141/108

1 Claim, 5 Drawing Sheets



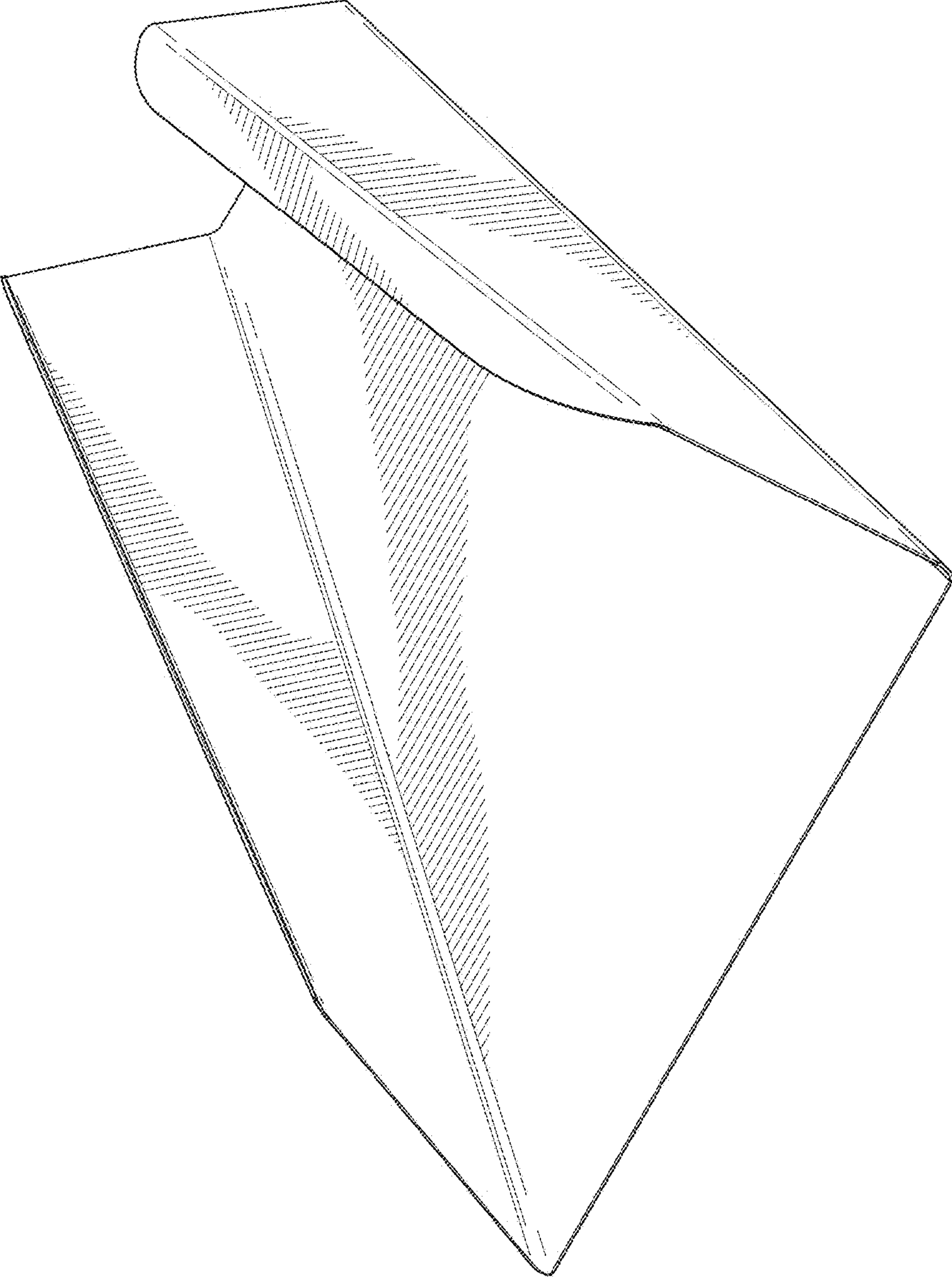


FIG. 1

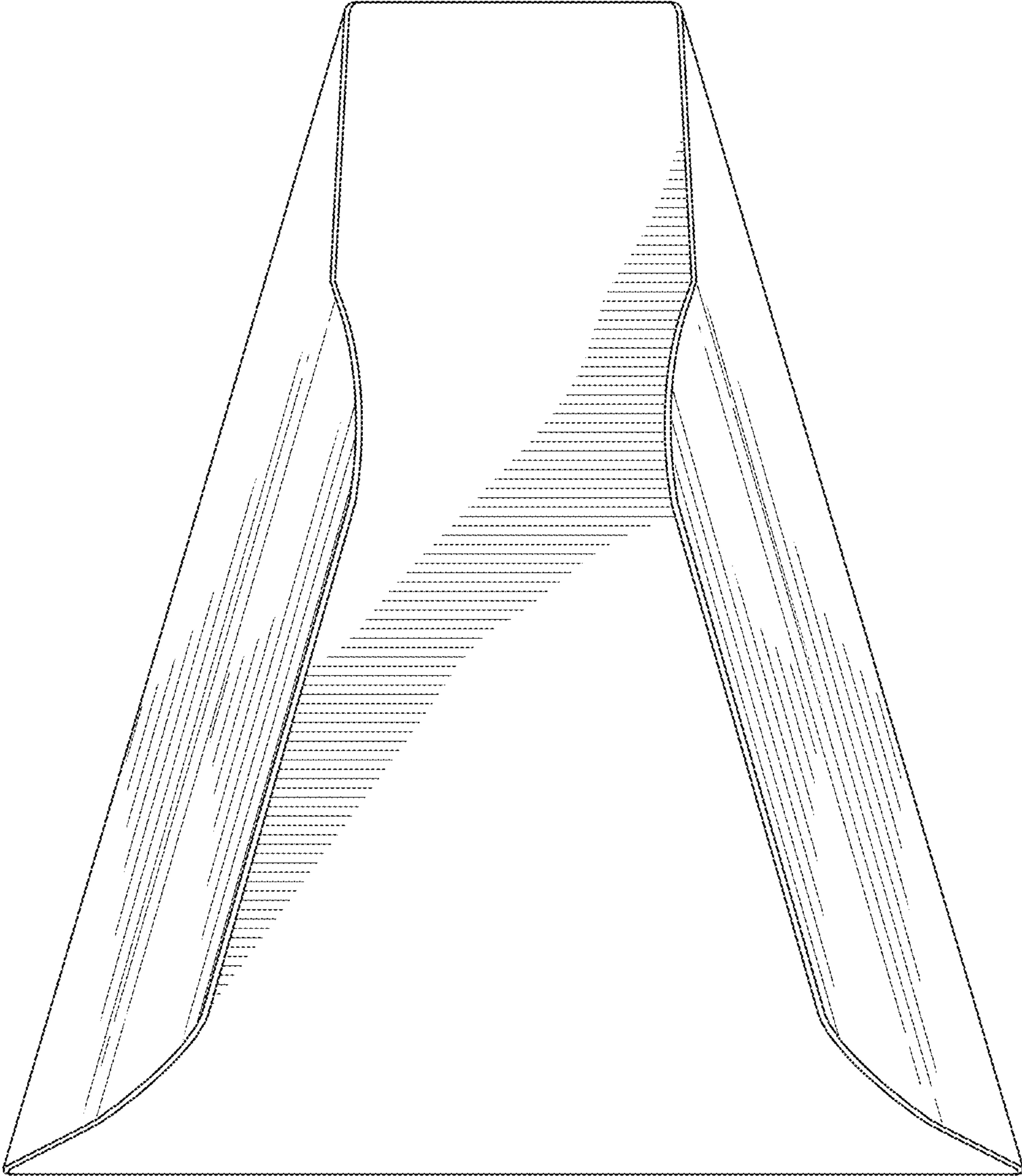


FIG. 2

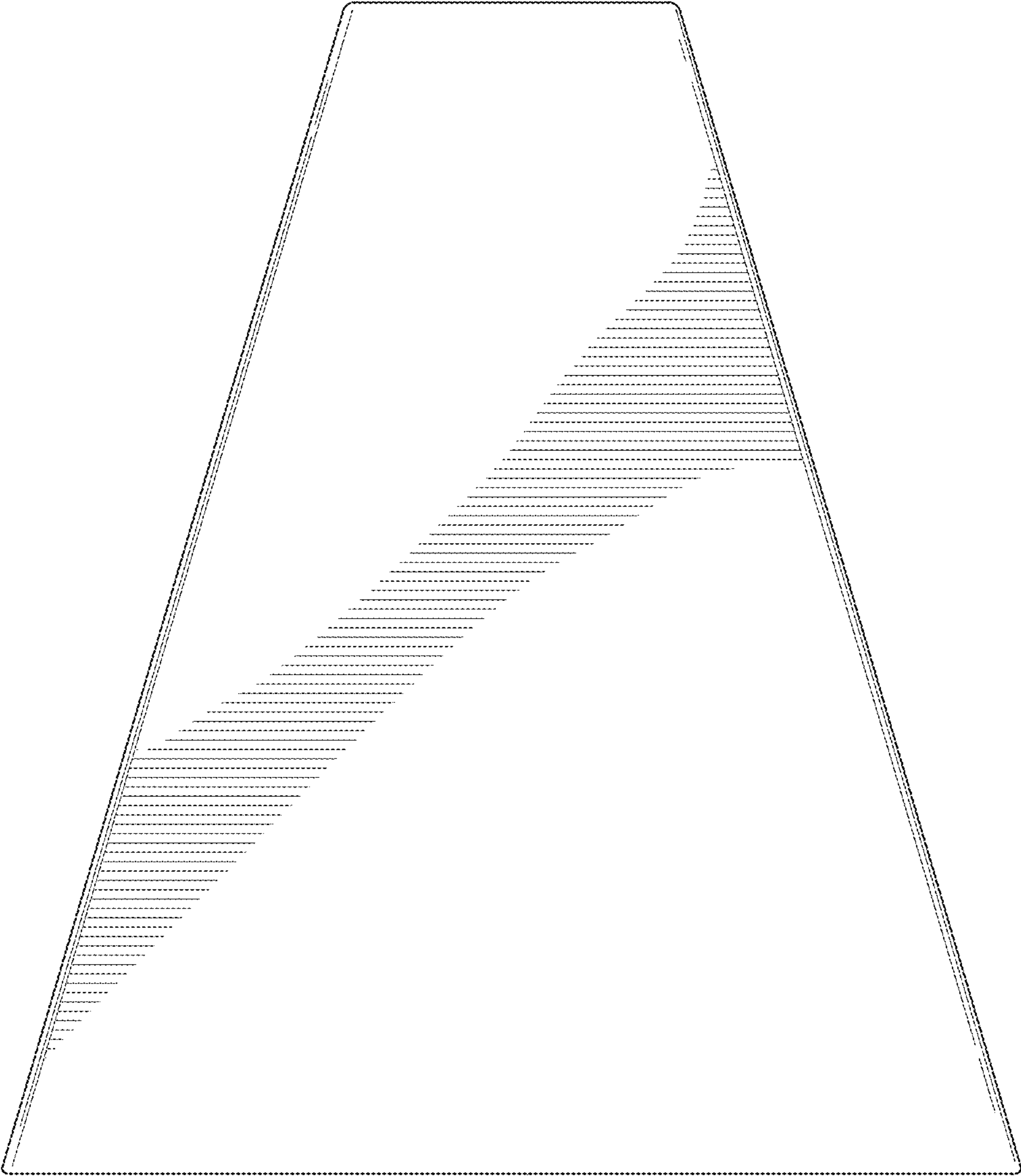


FIG. 3

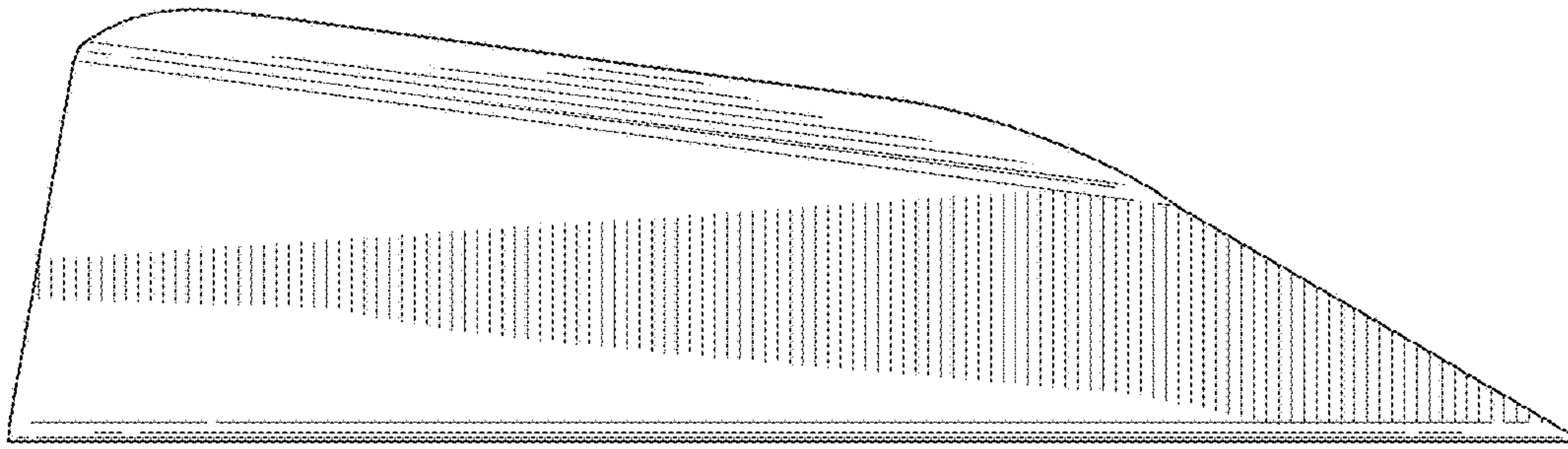


FIG. 4

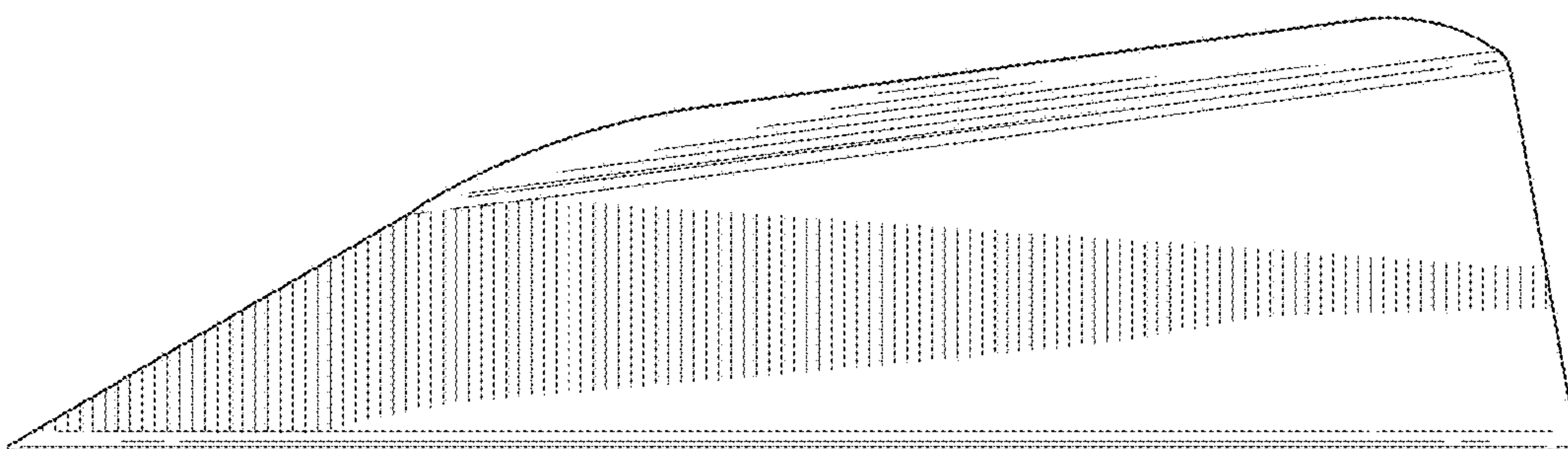


FIG. 5

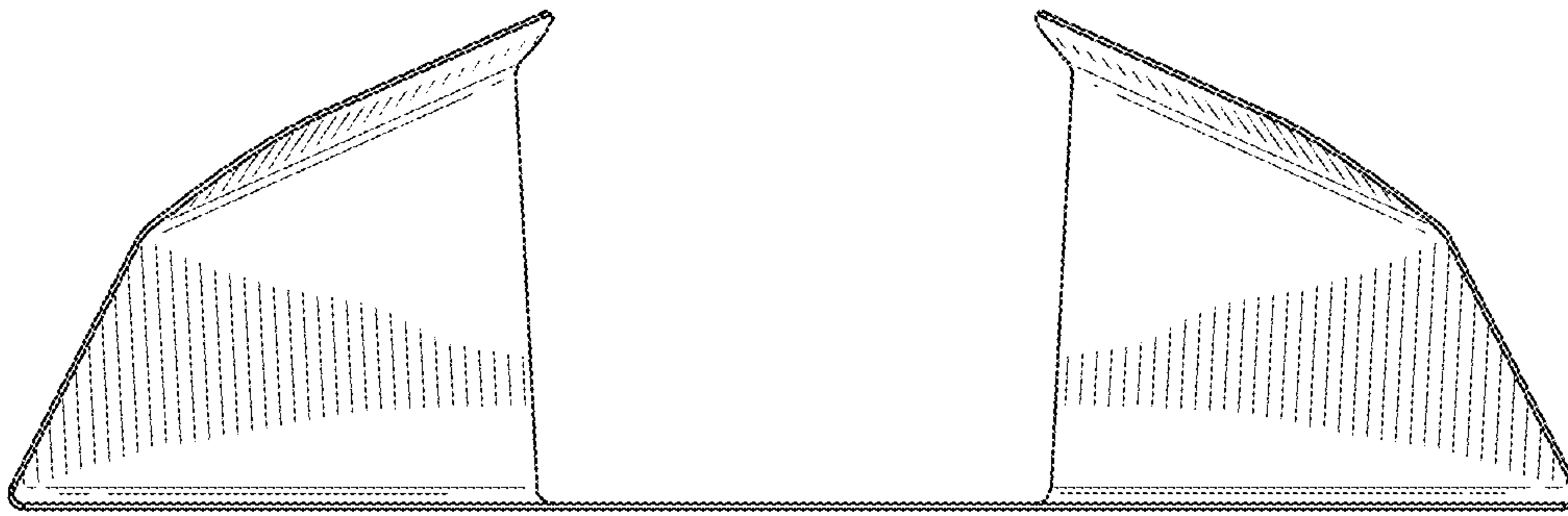


FIG. 6

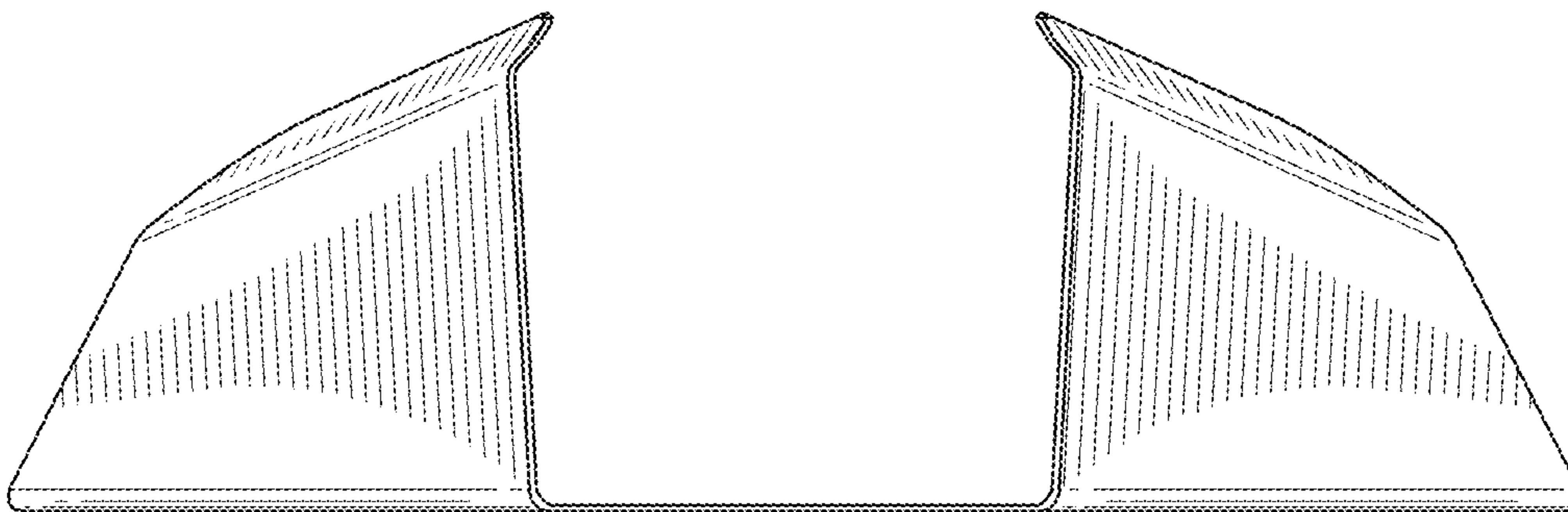


FIG. 7