



US00D827394S

(12) **United States Design Patent**
Greiner

(10) **Patent No.:** **US D827,394 S**

(45) **Date of Patent:** **** Sep. 4, 2018**

(54) **GRATER**

(71) Applicant: **MOHA Moderne Haushaltwaren AG,**
Vernier (CH)

(72) Inventor: **Ulrich Greiner,** Vernier (CH)

(73) Assignee: **MOHA MODERNE**
HAUSHALTWAREN AG, Vernier
(CH)

(**) Term: **15 Years**

(21) Appl. No.: **29/609,752**

(22) Filed: **Jul. 5, 2017**

(30) **Foreign Application Priority Data**

Jan. 9, 2017 (WO) 1913701

(51) **LOC (11) Cl.** **07-04**

(52) **U.S. Cl.**
USPC **D7/678**

(58) **Field of Classification Search**

USPC D7/678, 669, 368, 693, 381
CPC .. A47J 19/04; A47J 17/02; A47J 17/04; A47J
43/00; A47J 43/25; A47J 43/255; B26D
1/30; B26D 7/18

See application file for complete search history.

(56) **References Cited**

U.S. PATENT DOCUMENTS

4,037,793 A * 7/1977 Puustinen A47J 43/25
241/168
D251,103 S * 2/1979 Puustinen D7/678

D369,726 S * 5/1996 Wan D7/678
D393,986 S * 5/1998 Joergensen D7/678
D507,159 S * 7/2005 Lee D7/678
7,469,848 B2 * 12/2008 Yamanaka A47J 43/25
241/273.1
D605,001 S * 12/2009 Eide D7/678
2004/0217219 A1 * 11/2004 Bitonto A47J 43/255
241/95

* cited by examiner

Primary Examiner — Terry A Wallace

(74) *Attorney, Agent, or Firm* — Paul D. Bianco; Lourdes
Perez; Fleit Gibbons Gutman Bongini & Bianco PL

(57) **CLAIM**

The ornamental design for a grater, as shown and described.

DESCRIPTION

FIG. 1 is a top view of a grater according to the present invention;

FIG. 2 is a bottom view of the grater of FIG. 1;

FIG. 3 is a front side view of the grater of FIG. 1;

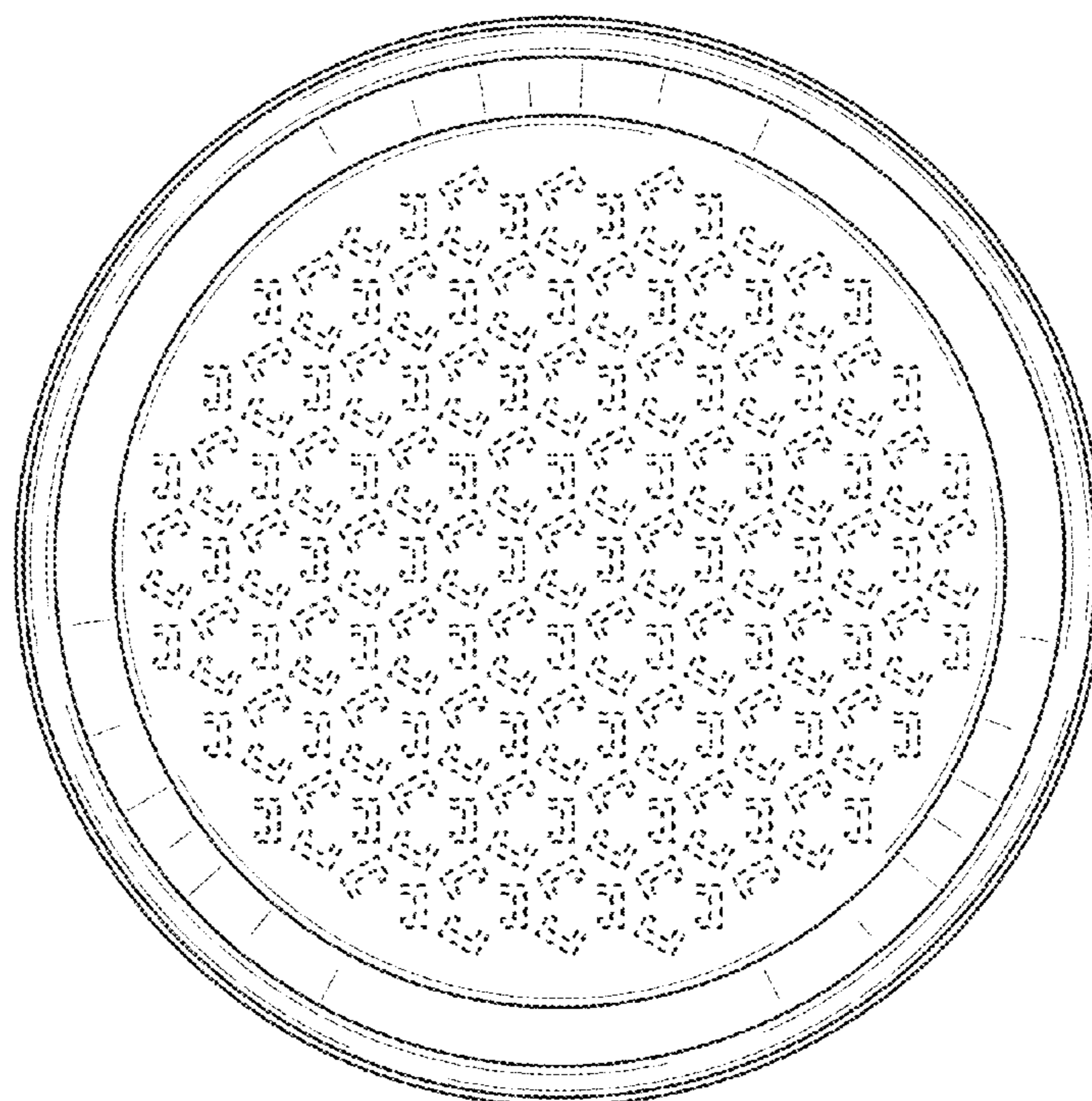
FIG. 4 is a top perspective view of the grater of FIG. 1; and,

FIG. 5 is a bottom perspective view of the grater of FIG. 1.

Rear side, left side, and right side are not shown as they are identical to the front side view of FIG. 3.

The broken lines shown in the drawings illustrate portions of the grater that form no part of the claimed design.

1 Claim, 2 Drawing Sheets



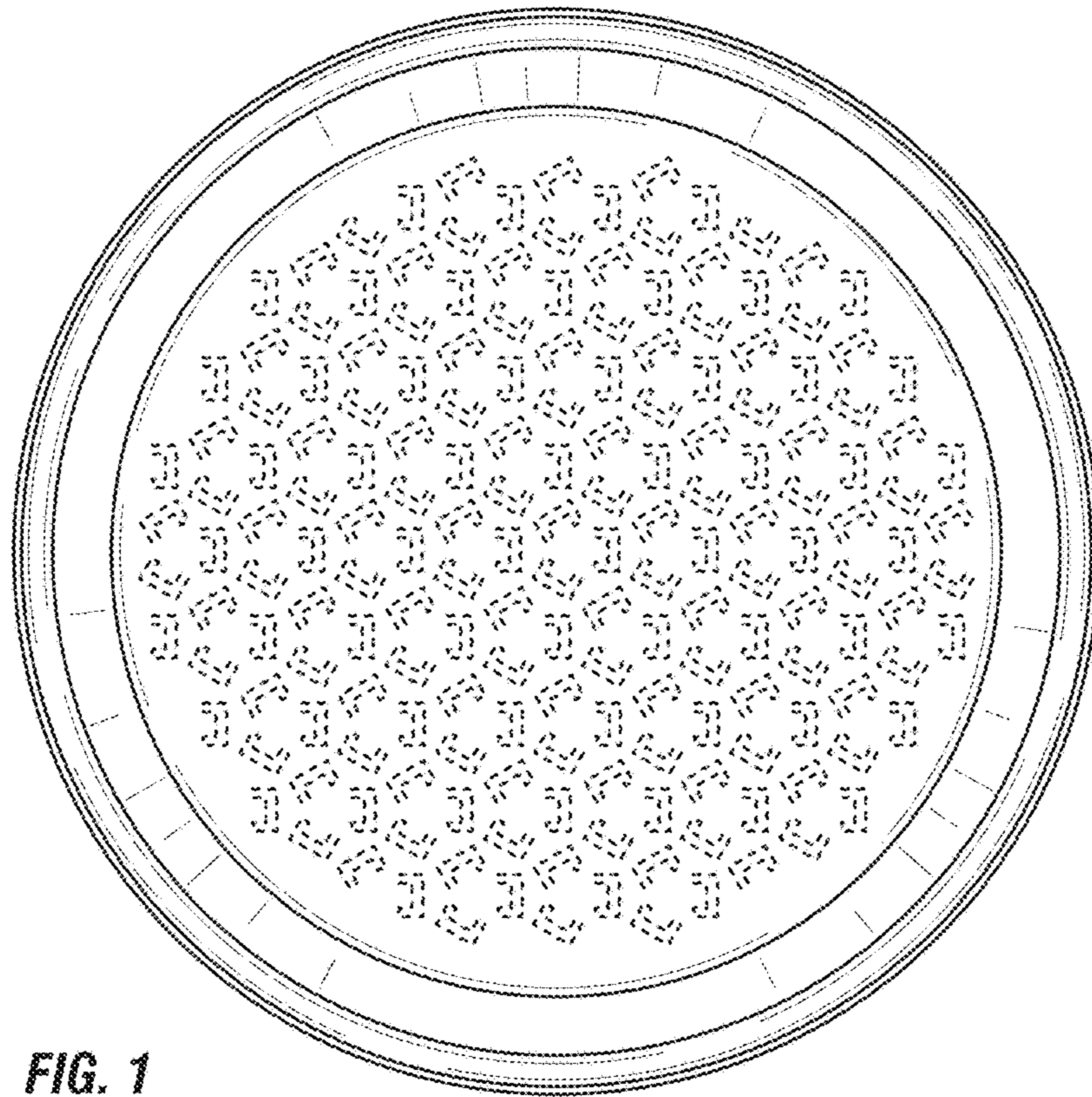


FIG. 1

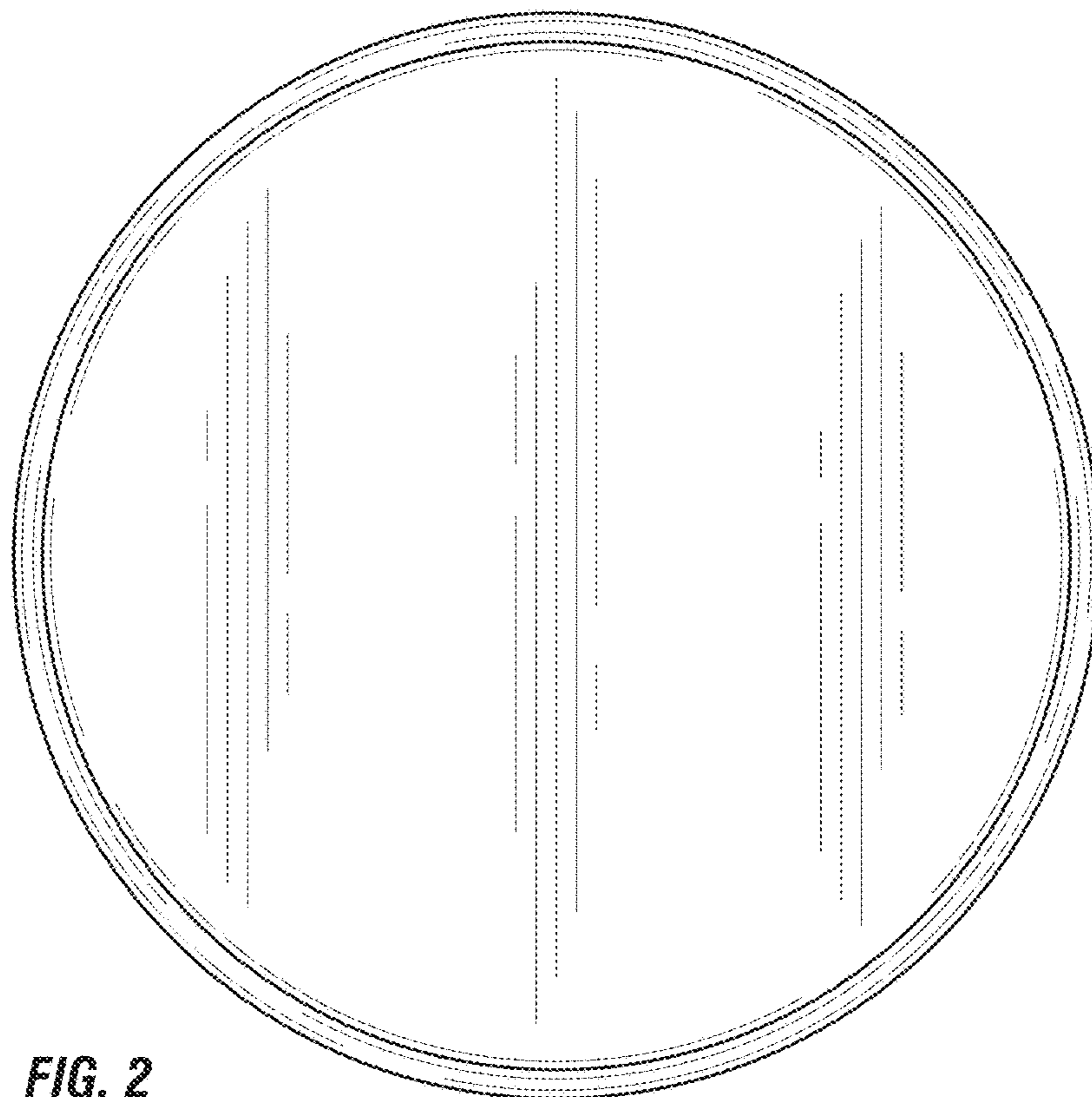


FIG. 2

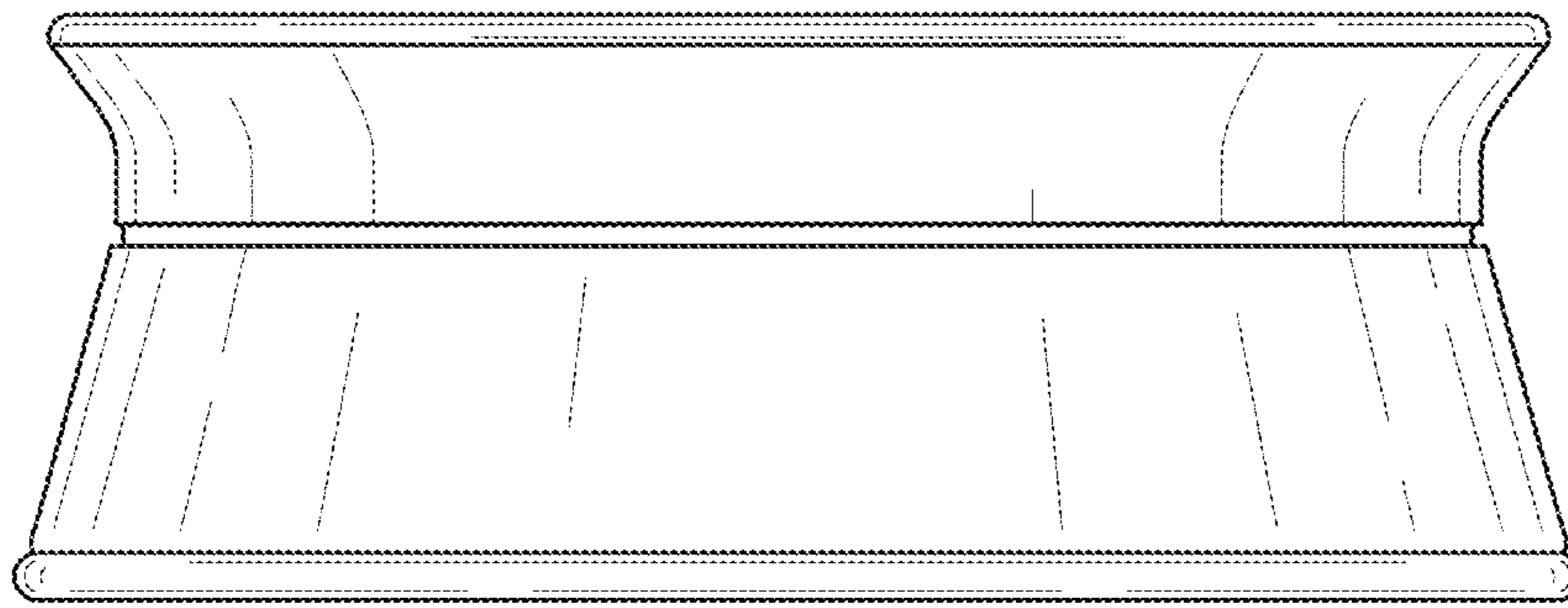


FIG. 3

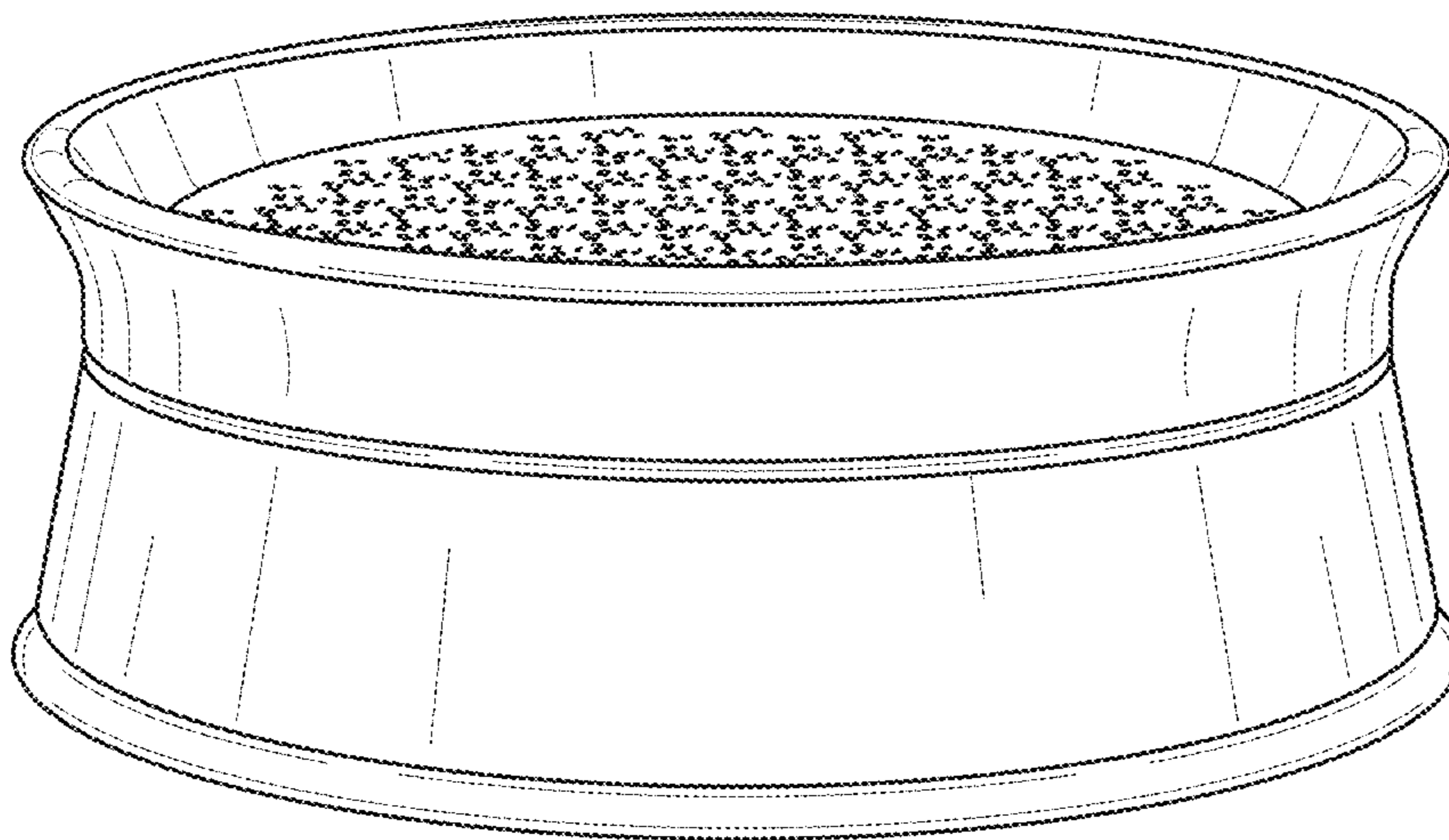


FIG. 4

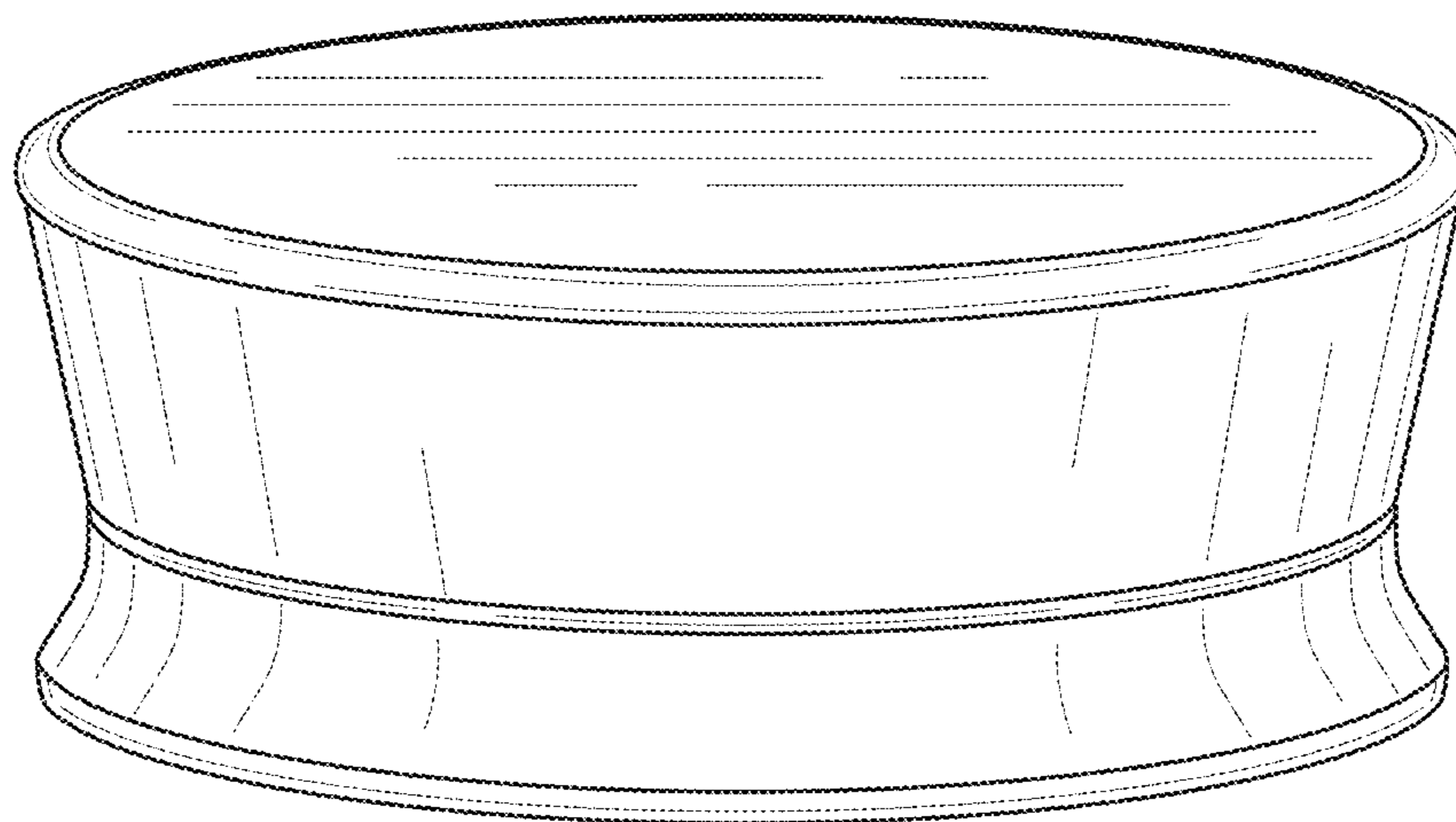


FIG. 5