



US00D827392S

(12) **United States Design Patent**  
**Sternberg**

(10) **Patent No.:** **US D827,392 S**

(45) **Date of Patent:** **\*\* Sep. 4, 2018**

(54) **NAPKIN HOLDER**

(71) Applicant: **Gerd Sternberg**, Henderson, NV (US)

(72) Inventor: **Gerd Sternberg**, Henderson, NV (US)

(\*\*) Term: **15 Years**

(21) Appl. No.: **29/634,463**

(22) Filed: **Jan. 22, 2018**

(51) **LOC (11) Cl.** ..... **07-99**

(52) **U.S. Cl.**  
USPC ..... **D7/631**

(58) **Field of Classification Search**  
USPC ..... D3/306; D6/566-574; D7/631,  
D7/637-641; D19/75, 81-86, 90, 92;  
211/41.4, 70.7, 85.31, 90.03, 106, 126.8,  
211/126.9, 133.2, 133.5; 220/485-488,  
220/491; 248/37.3, 37.6, 153, 175  
CPC ..... A47B 88/00; A47B 88/20; A47G 21/16;  
A47G 21/00; A47F 7/00; A47F 7/14;  
B65D 1/34; B65D 1/36; B65D 21/046;  
B65D 21/048; G09F 1/14  
See application file for complete search history.

(56) **References Cited**

**U.S. PATENT DOCUMENTS**

D160,088 S 9/1950 Hutzler  
D216,637 S \* 2/1970 Hermalin ..... D7/587  
D231,137 S \* 4/1974 Juhlin ..... D19/90  
D247,626 S \* 3/1978 Riches ..... D19/90

D263,786 S \* 4/1982 Kohan ..... D19/90  
D350,671 S \* 9/1994 Asner ..... D7/504  
6,597,577 B1 \* 7/2003 Tang ..... G11B 33/0411  
248/917  
D498,141 S \* 11/2004 Burr ..... D9/433  
D520,014 S \* 5/2006 Harris ..... D14/434

**OTHER PUBLICATIONS**

MyGift Modern Geometric Triangle-Shaped Metal Napkin Holder Stand, announced Jan. 2017, [online], site visited Apr. 11, 2018. Available from Internet, URL: <http://www.amazon.com> (Year: 2017).\*

\* cited by examiner

*Primary Examiner* — Derrick E Holland  
*Assistant Examiner* — Janice Julia Patyk  
(74) *Attorney, Agent, or Firm* — Kenehan & Lambertsen, Ltd.; John C. Lambertsen

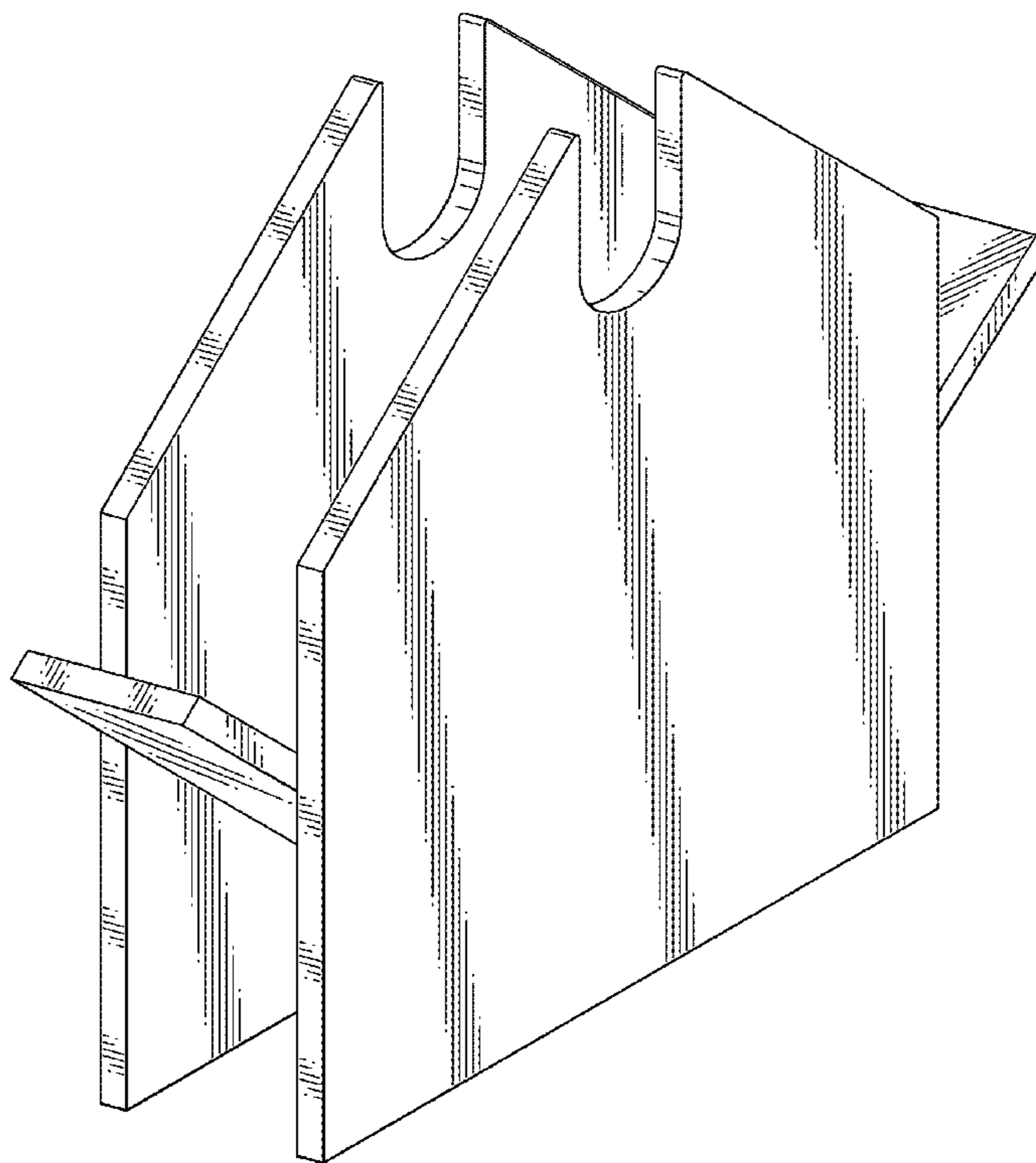
(57) **CLAIM**

The ornamental design for a napkin holder, as shown and described.

**DESCRIPTION**

FIG. 1 is a perspective view of a napkin holder showing my new design;  
FIG. 2 is a top plan view thereof;  
FIG. 3 is a side elevation view thereof, the opposite side elevation view being identical thereof;  
FIG. 4 is a bottom plan view thereof; and,  
FIG. 5 is a front elevation view thereof, the rear elevation view being identical thereof.

**1 Claim, 3 Drawing Sheets**



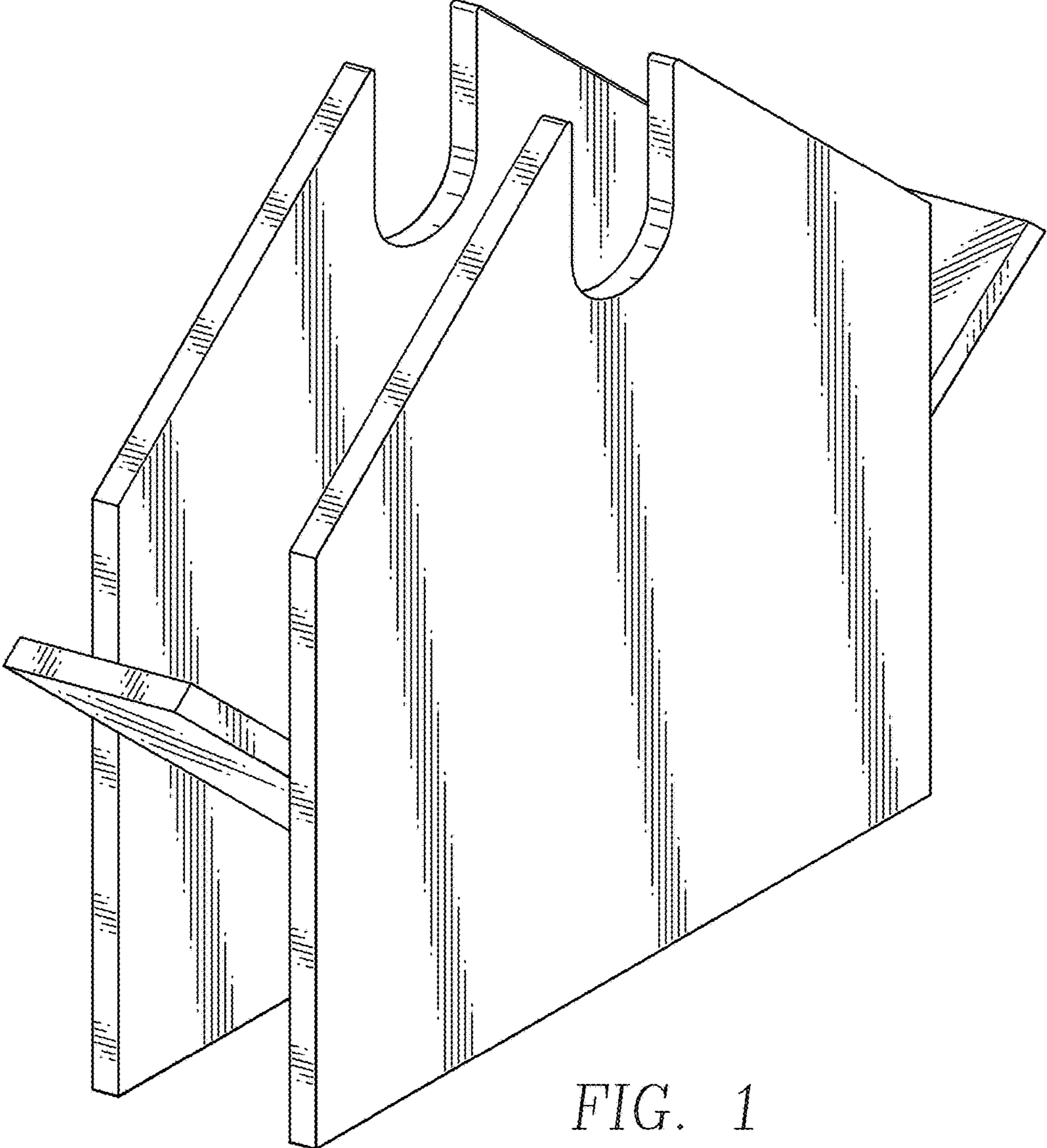


FIG. 1

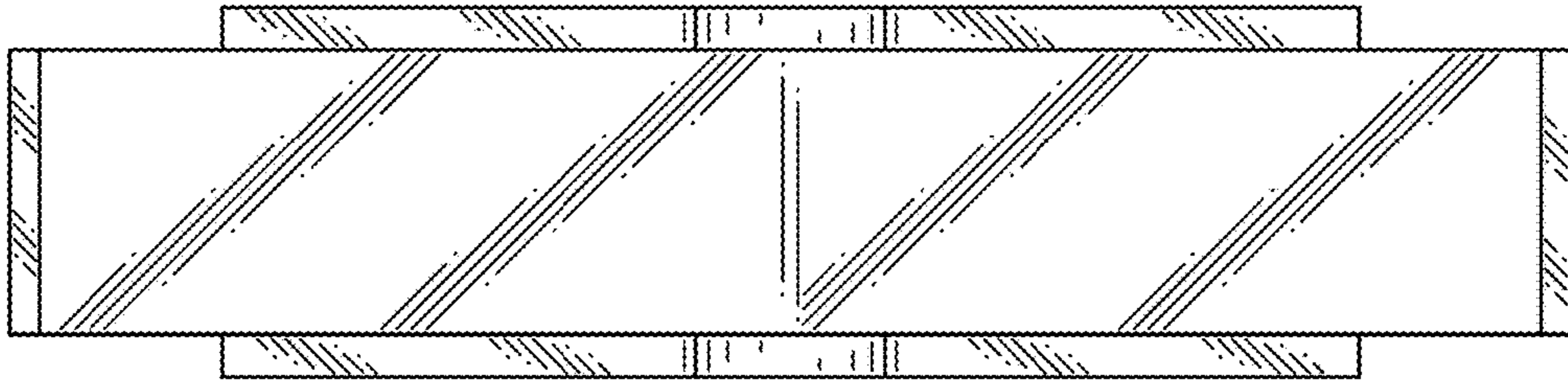


FIG. 2

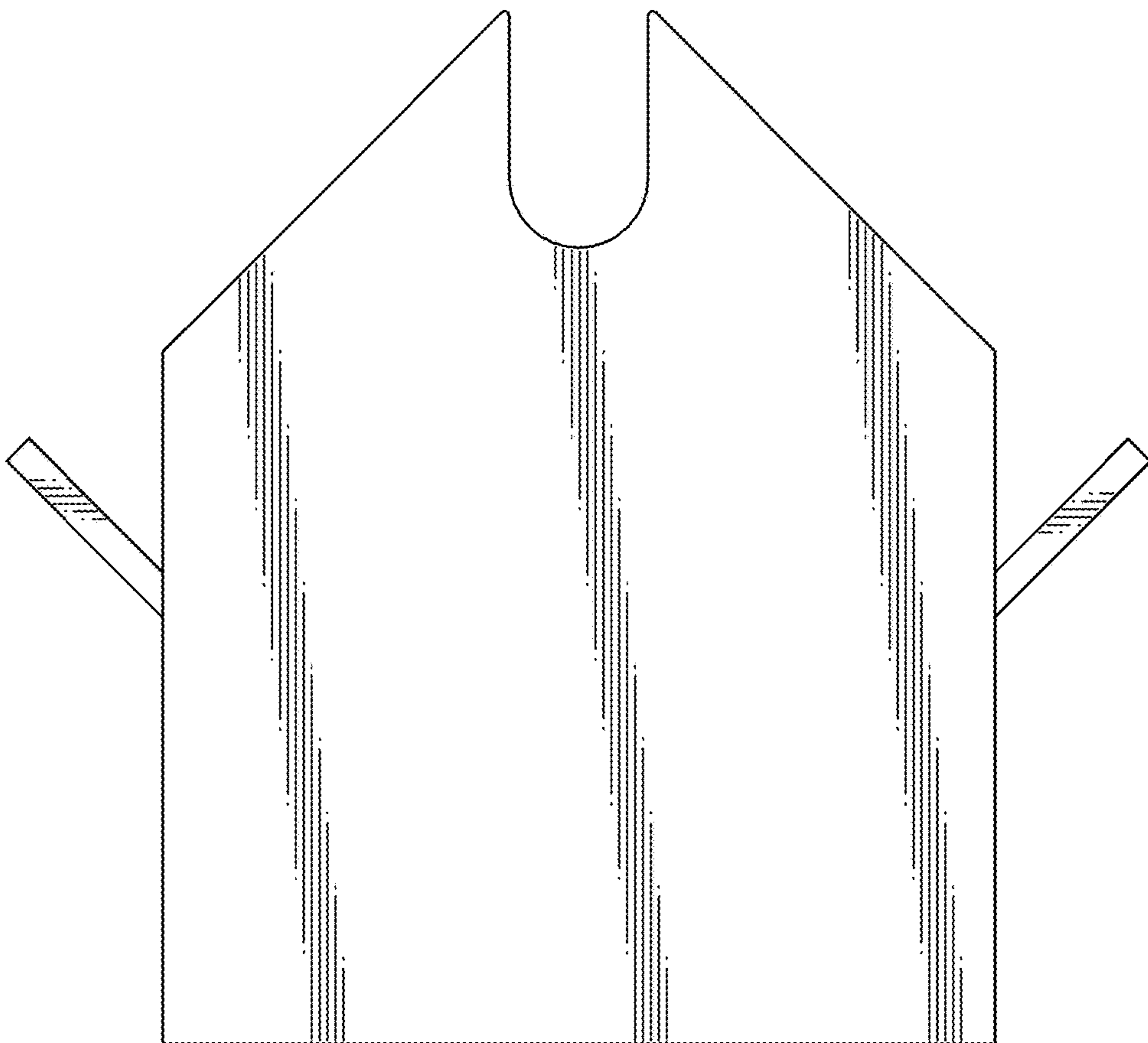


FIG. 3

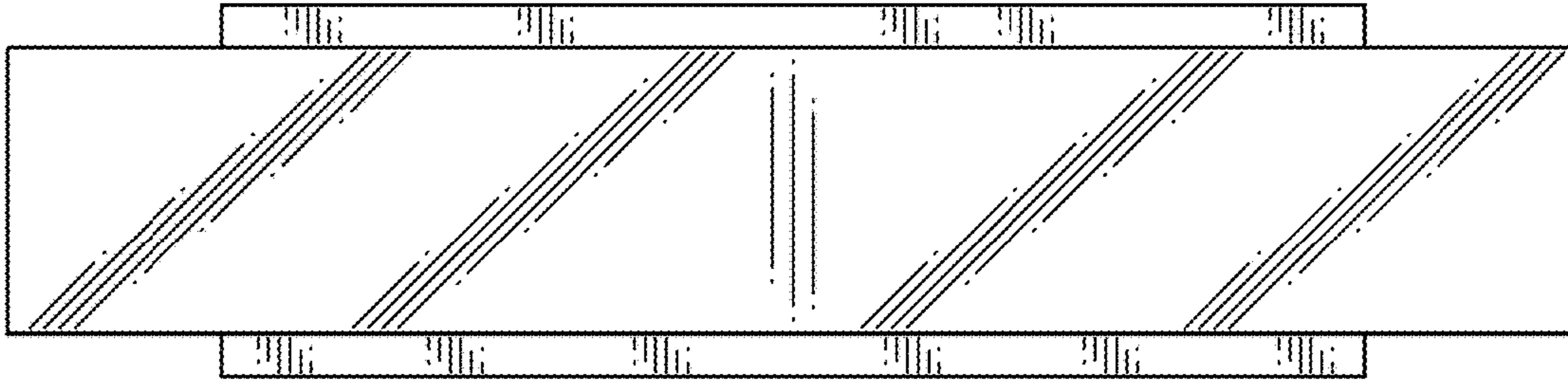


FIG. 4

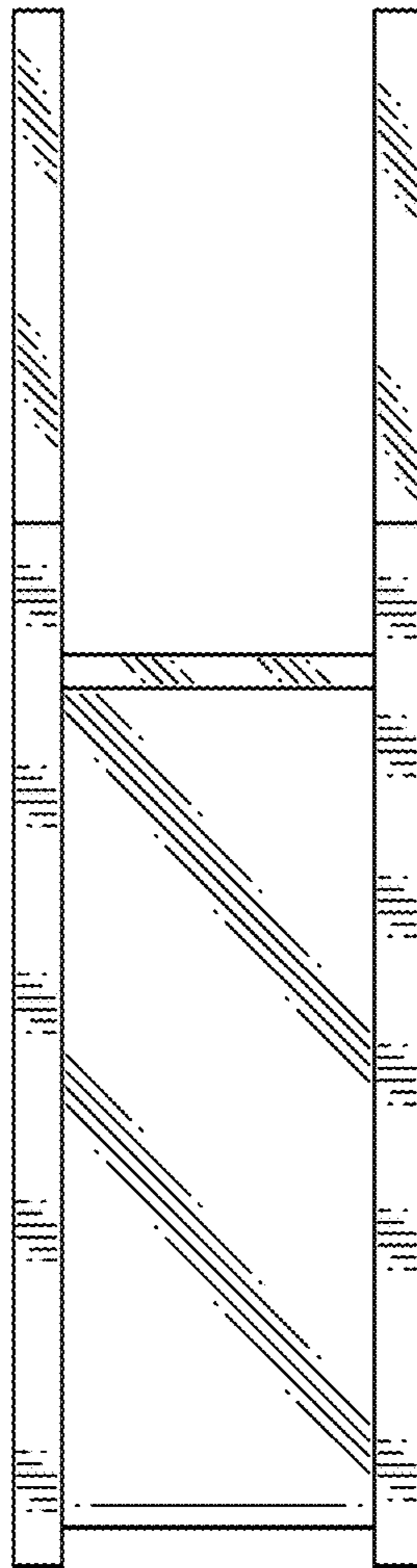


FIG. 5