



US00D827386S

(12) **United States Design Patent**
Ichikawa

(10) **Patent No.:** **US D827,386 S**

(45) **Date of Patent:** **** Sep. 4, 2018**

(54) **COOLER BOX COMBINED WITH
AMPLIFIER AND SPEAKER**

(71) Applicant: **ALPINE ELECTRONICS, INC.**,
Shinagawa-ku, Tokyo (JP)

(72) Inventor: **Takashi Ichikawa**, Tokyo (JP)

(73) Assignee: **Alpine Electronics, Inc.**, Tokyo (JP)

(**) Term: **15 Years**

(21) Appl. No.: **29/595,459**

(22) Filed: **Feb. 28, 2017**

(30) **Foreign Application Priority Data**

Sep. 29, 2016 (JP) 2016-020913

(51) **LOC (11) Cl.** **07-01**

(52) **U.S. Cl.**
USPC **D7/605; D14/172**

(58) **Field of Classification Search**
USPC D7/605, 607, 608, 630, 629, 703;
D3/273, 276, 279, 282, 284, 289, 902,
D3/901, 274; D14/172
CPC B65D 81/3813; B65D 81/3823; B65D
81/3888; B65D 81/3816; A45C 11/20;
F25B 19/00

See application file for complete search history.

(56) **References Cited**

U.S. PATENT DOCUMENTS

- 5,979,175 A * 11/1999 Ellison A45C 15/00
455/351
- D429,606 S * 8/2000 Israel D7/605
- D429,966 S * 8/2000 Israel D7/605
- 6,305,185 B1 * 10/2001 Sloan A45C 5/14
62/235.1
- D484,004 S * 12/2003 Lee D7/605
- D499,612 S * 12/2004 Smith, Sr. D14/168

- D566,479 S * 4/2008 Kabalin D3/273
- D608,158 S * 1/2010 Beal D7/605
- D645,248 S * 9/2011 Osiecki D3/276
- D660,589 S * 5/2012 Ayjian D3/260
- D806,483 S * 1/2018 Stanford D7/605
- D807,122 S * 1/2018 Williamson D7/605
- 2013/0062356 A1 * 3/2013 Deka B65D 81/3823
220/592.25
- 2015/0060470 A1 * 3/2015 Seiders B65D 81/3816
220/592.2

(Continued)

OTHER PUBLICATIONS

Sonic Electronix, "Alpine ICE In-Cooler Entertainment System PWD-CB1", Reviewed first on Dec. 19, 2016. (https://www.sonicelectronix.com/item_125419_Alpine-ICE-In-Cooler-Entertainment-System-PWD-CB1.html).*

(Continued)

Primary Examiner — Jennifer Rivard

Assistant Examiner — April Rivas

(74) *Attorney, Agent, or Firm* — Brinks Gilson & Lione

(57) **CLAIM**

The ornamental design of the cooler box combined with amplifier and speaker, as shown and described.

DESCRIPTION

FIG. 1 is a perspective view of a cooler box combined with amplifier and speaker showing the new design;

FIG. 2 is a rear view thereof;

FIG. 3 is a front view thereof;

FIG. 4 is a top view thereof;

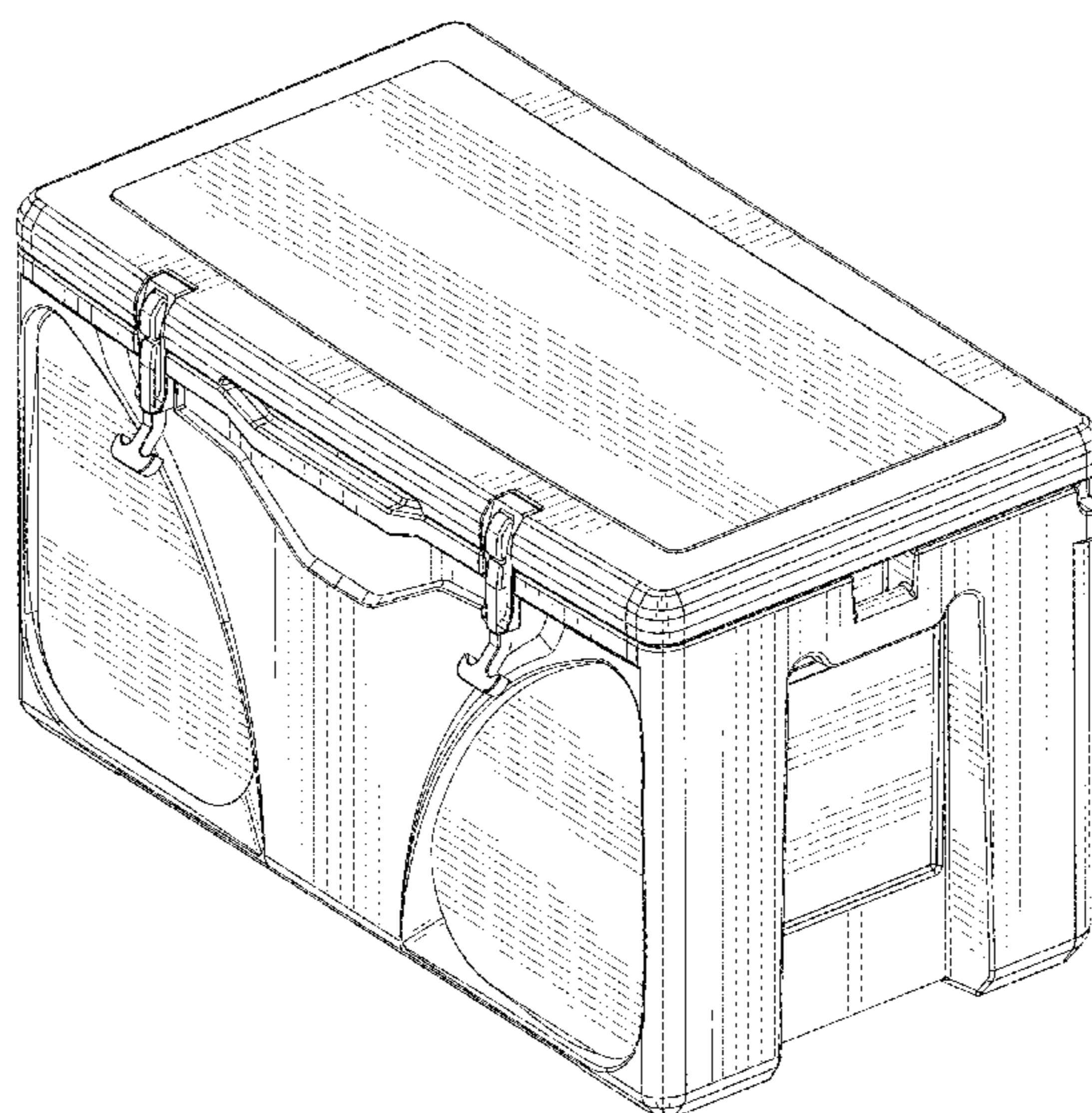
FIG. 5 is a bottom view thereof;

FIG. 6 is a right-side view thereof; and,

FIG. 7 is a left-side view thereof.

The broken lines illustrate portions of the cooler box combined with amplifier and speaker and form no part of the claimed design.

1 Claim, 7 Drawing Sheets



(56)

References Cited

U.S. PATENT DOCUMENTS

2016/0153690 A1* 6/2016 Patsis F25D 3/08
222/608
2017/0027386 A1* 2/2017 Bungard A47J 41/0055
2017/0234596 A1* 8/2017 Patsis F25D 3/06
220/592.2
2017/0313492 A1* 11/2017 Seiders B65D 81/3823

OTHER PUBLICATIONS

Ice Chest Radios. Net, "YETI Cooler Speaker 4 Rockford Speakers Sony Stereo Cooler", Accessed Jan. 18, 2018. (<http://icechestradios.net/yeti-cooler-speaker-4-rockford-speakers-sony-stereo-cooler/>).*

* cited by examiner

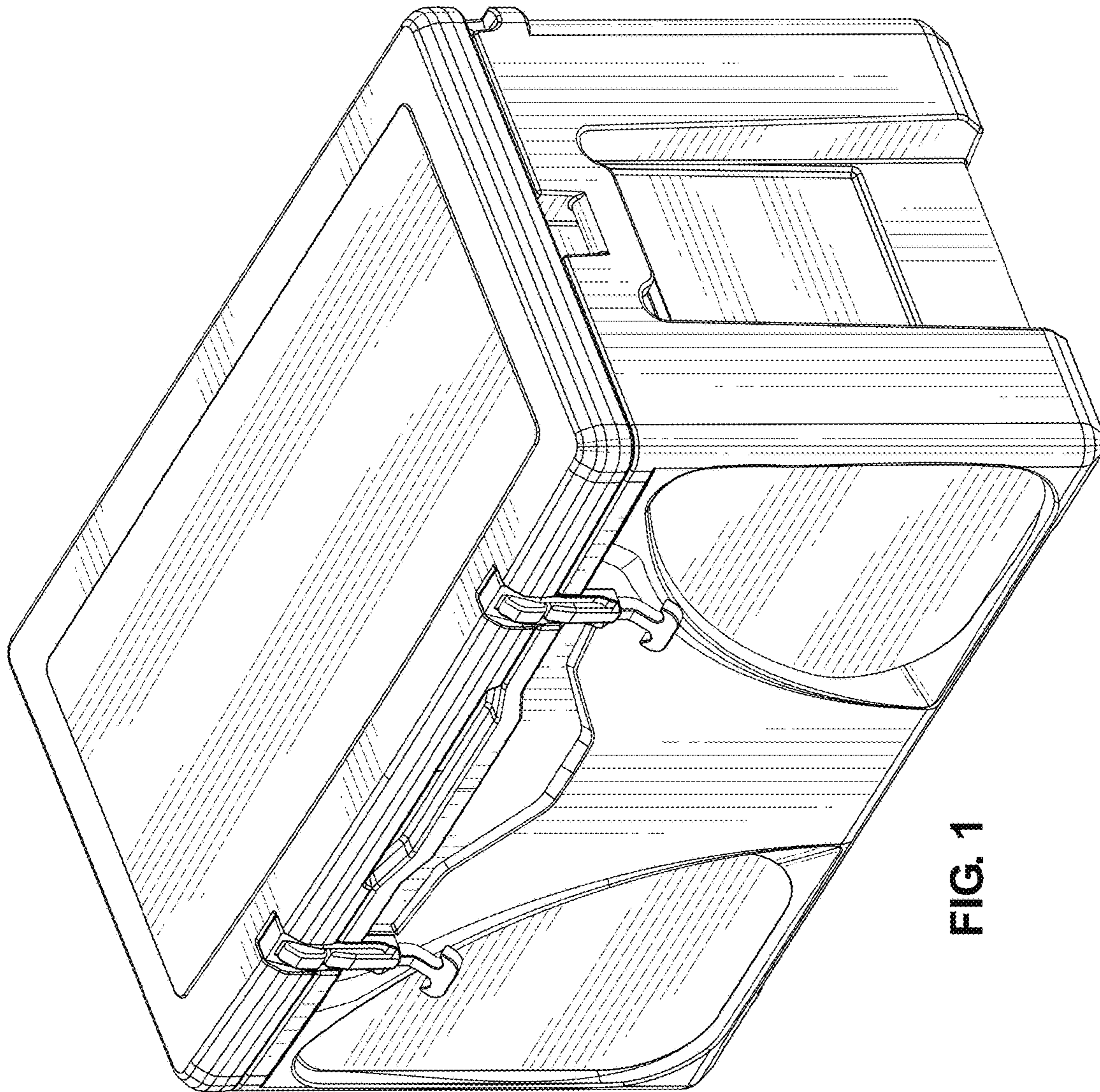


FIG. 1

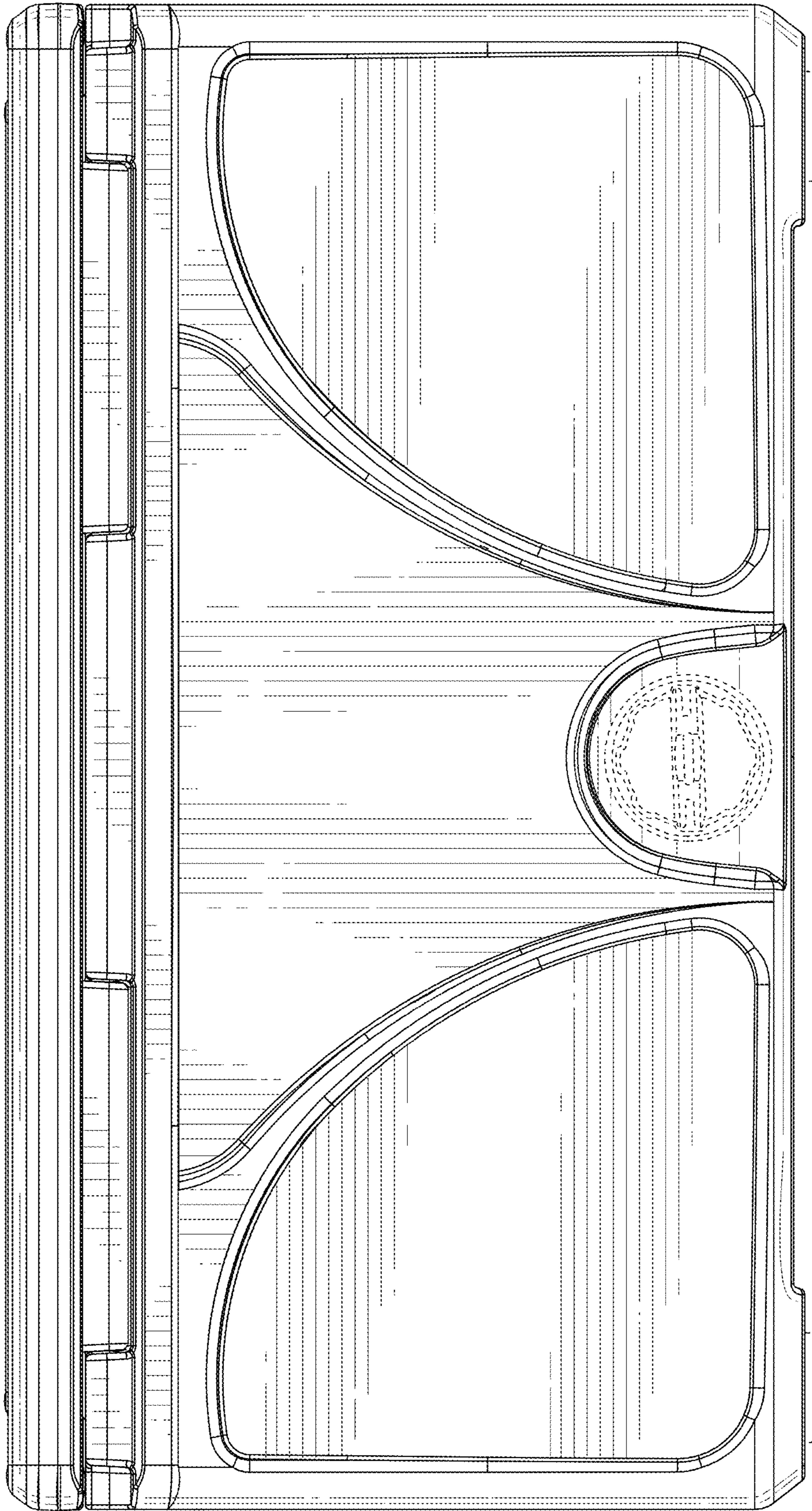


FIG. 2

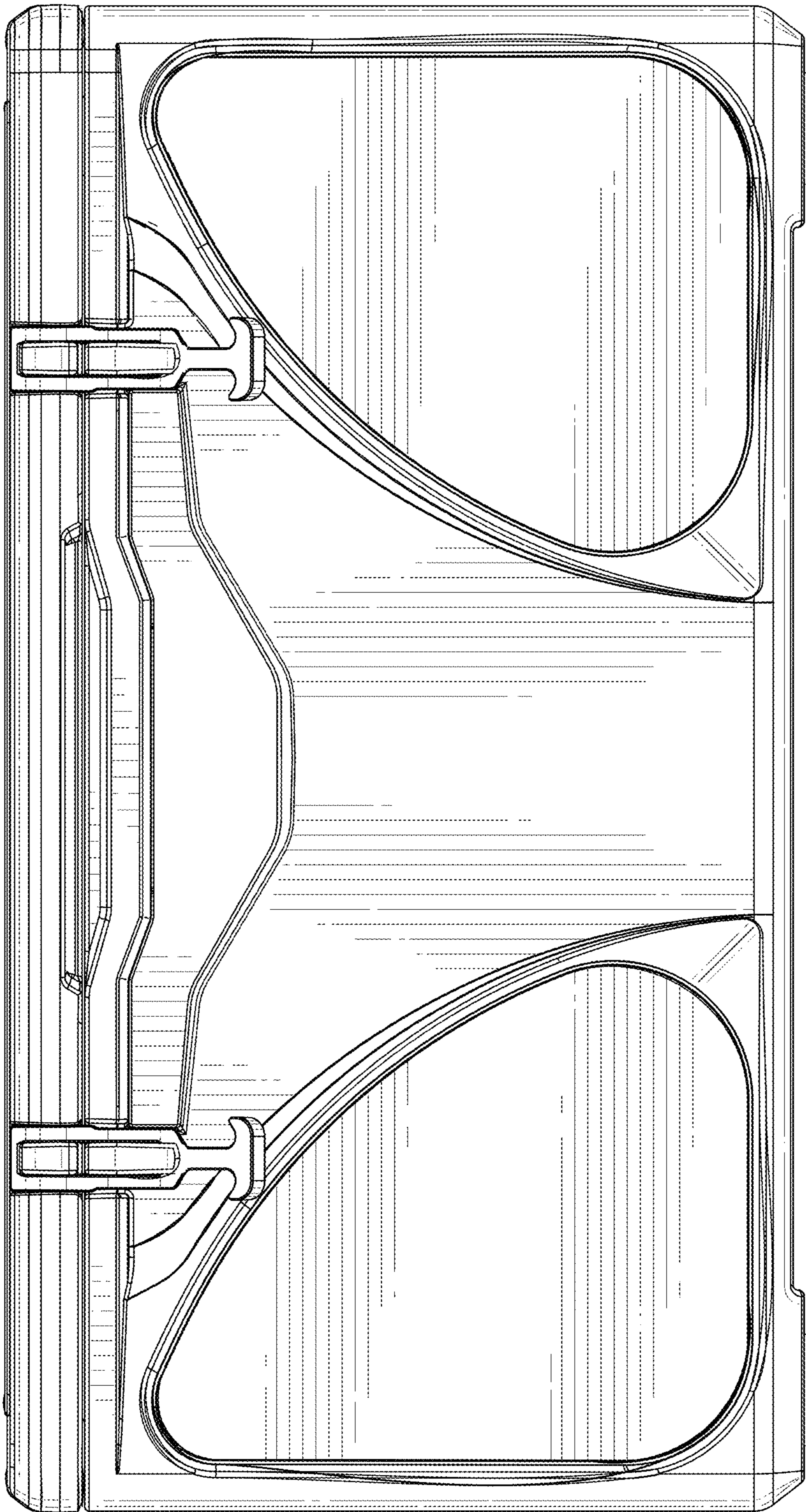


FIG. 3

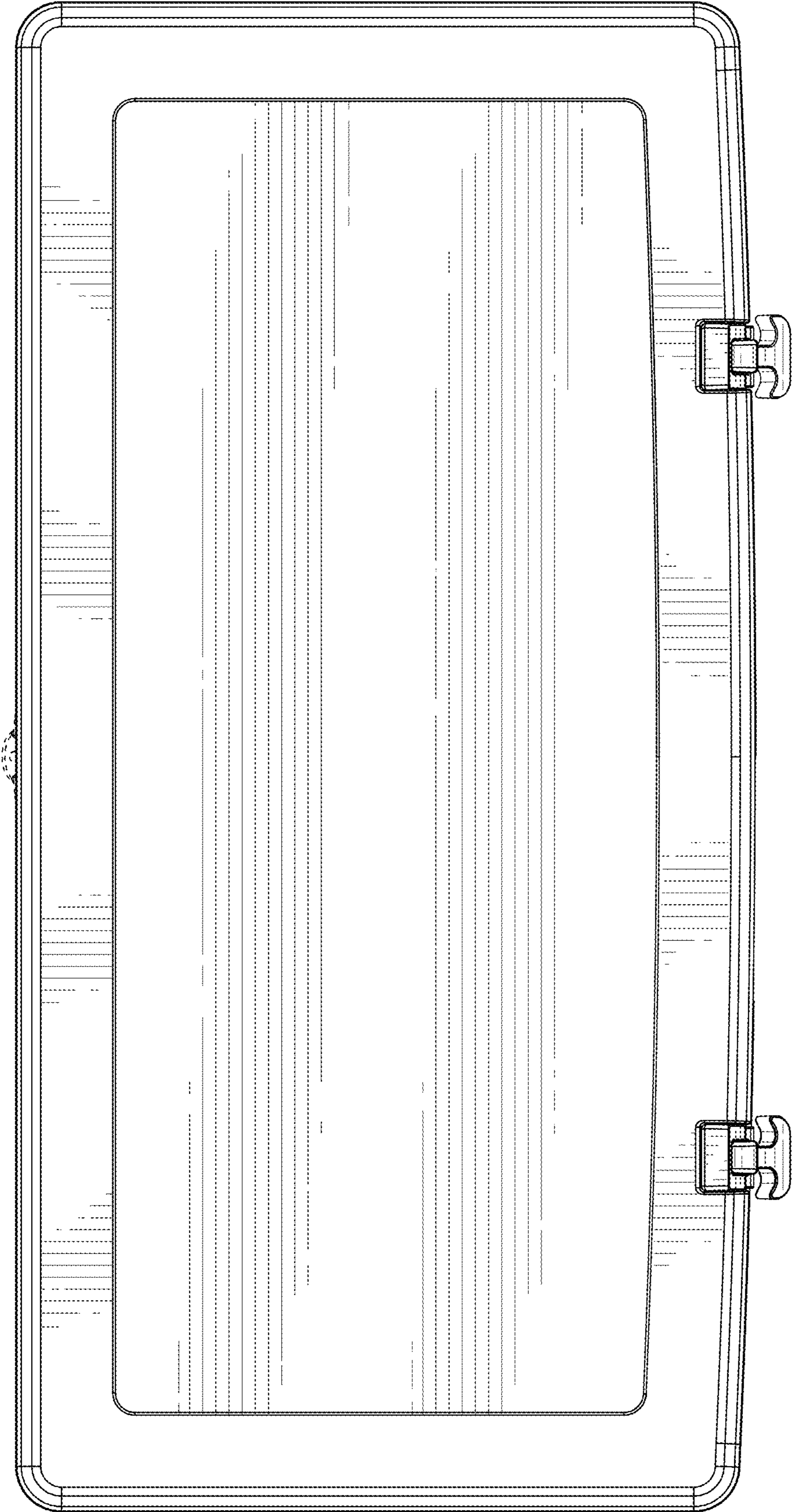


FIG. 4

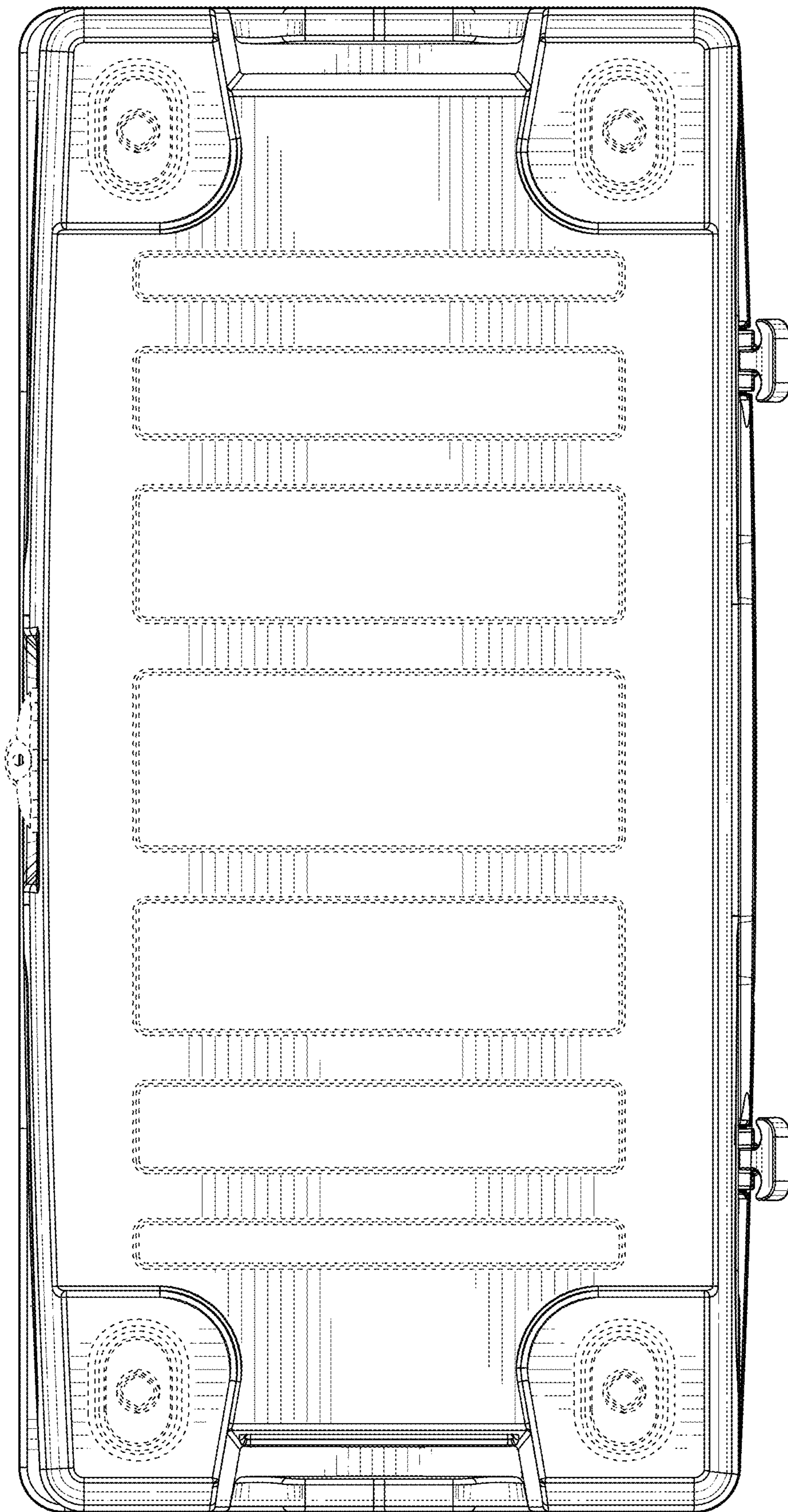


FIG. 5

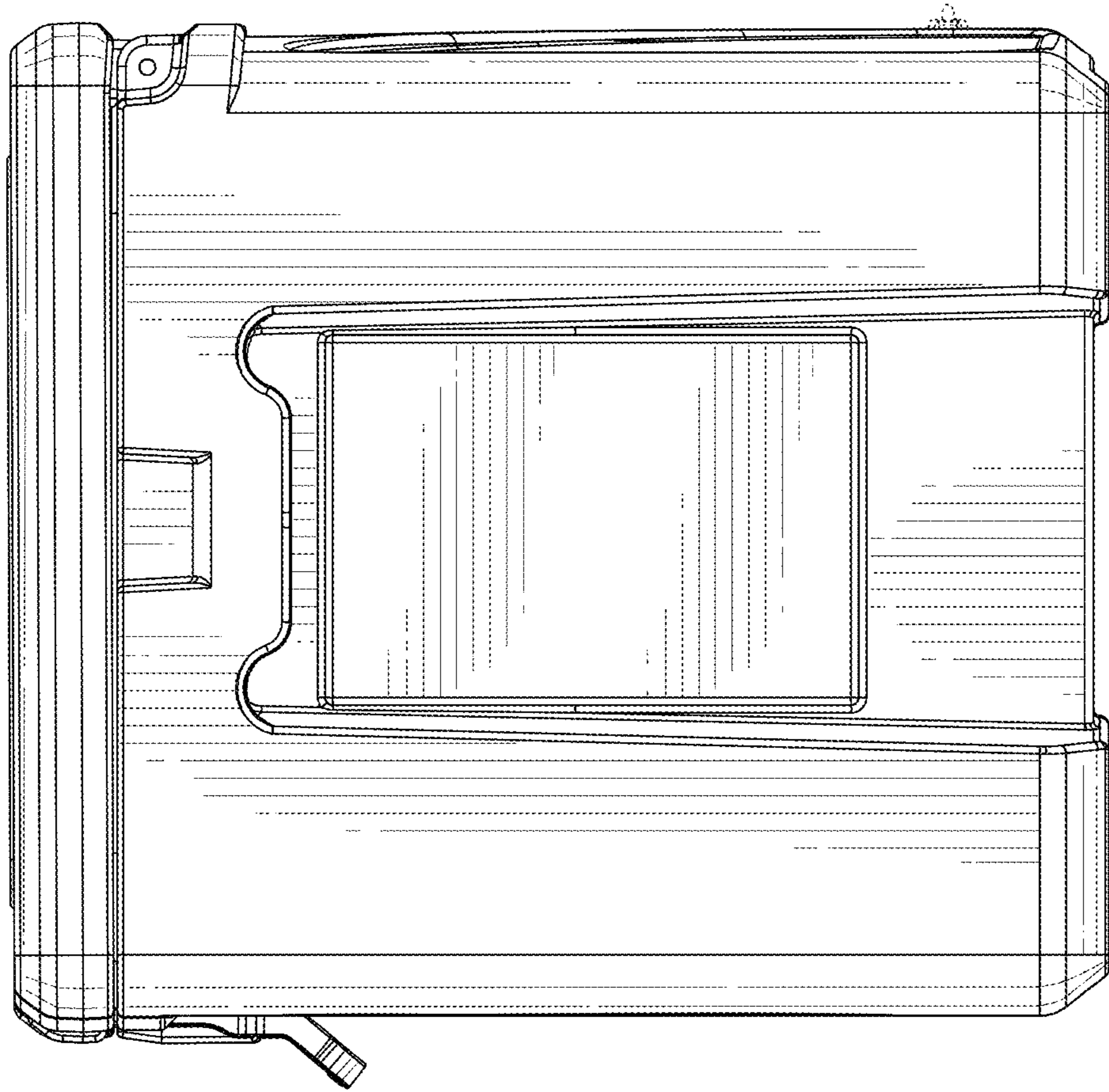


FIG. 6

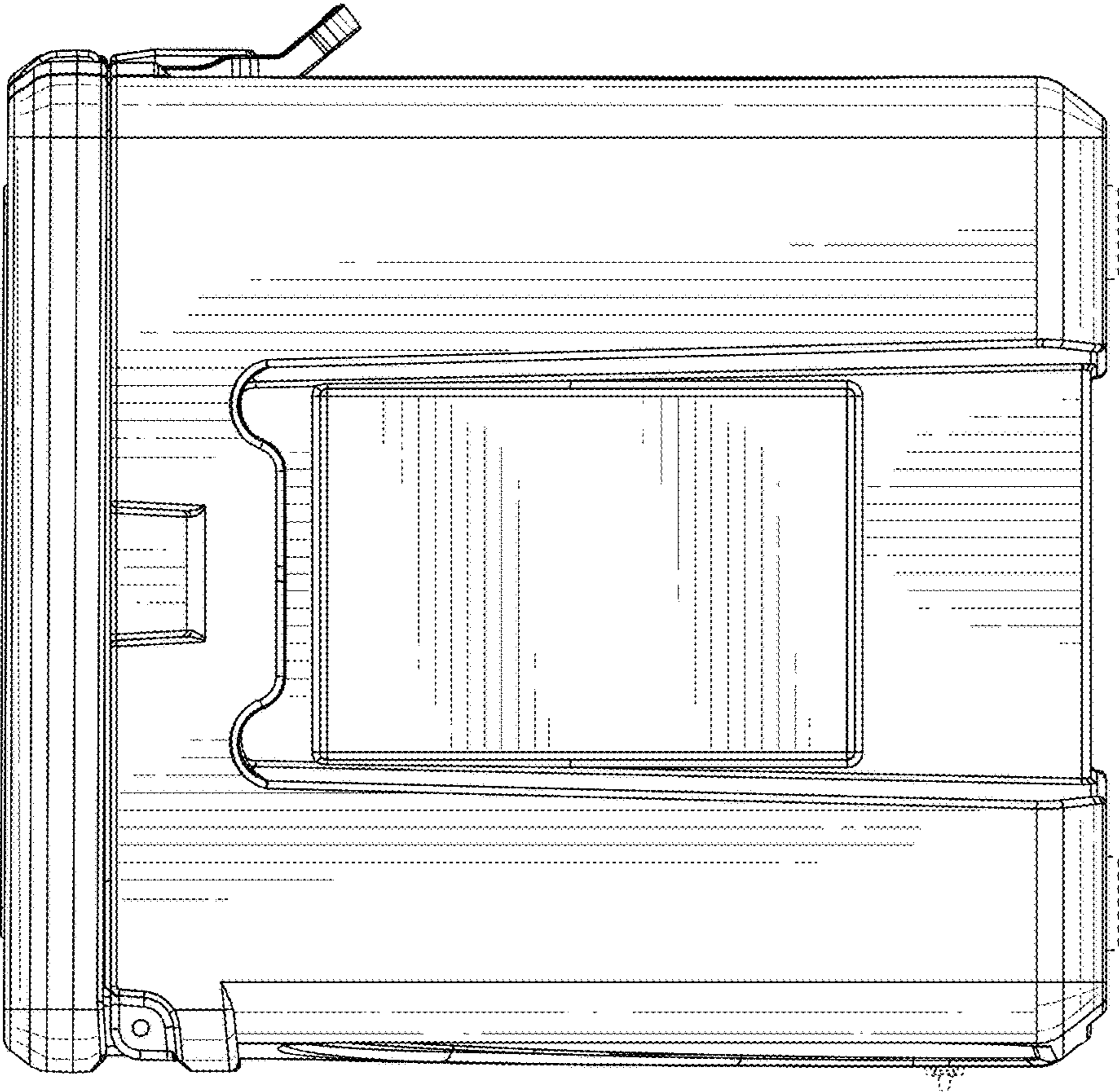


FIG. 7