



US00D827382S

(12) **United States Design Patent**  
**Uzunlar**

(10) **Patent No.:** **US D827,382 S**  
(45) **Date of Patent:** **\*\* Sep. 4, 2018**

(54) **BOWL WITH A LID**

*Primary Examiner* — Cynthia R Underwood

(71) Applicant: **LARPLAST PLASTIK AMBALAJ SANAYI VE TICARET LIMITED SIRKETI**, Esenyurt, Istanbul (TR)

(74) *Attorney, Agent, or Firm* — Andrew W. Chu; Craft Chu PLLC

(72) Inventor: **Ali Serdar Uzunlar**, Istanbul (TR)

(57) **CLAIM**

(73) Assignee: **LARPLAST PLASTIK AMBALAJ SANAYI VE TICARET LTD Sti**, Esenyurt, Istanbul (TR)

The ornamental design for a bowl with a lid, as shown and described.

(\*\*) Term: **15 Years**

**DESCRIPTION**

(21) Appl. No.: **29/606,436**

(22) Filed: **Jun. 5, 2017**

(51) **LOC (11) Cl.** ..... **07-01**

(52) **U.S. Cl.**  
USPC ..... **D7/538**

(58) **Field of Classification Search**  
USPC ..... D7/542, 629, 538, 500, 505; D9/425  
CPC ..... B65D 25/04; B65D 43/0218  
See application file for complete search history.

FIG. 1 is an upper perspective view of the bowl with a lid showing my design;  
FIG. 2 is an end elevation view thereof;  
FIG. 3 is an opposite end elevation view thereof;  
FIG. 4 is a side elevation view thereof;  
FIG. 5 is an opposite side elevation view thereof;  
FIG. 6 is a top plan view thereof;  
FIG. 7 is a bottom plan view thereof; and,  
FIG. 8 is an exploded perspective view thereof, showing an interior of the bowl with broken lines.

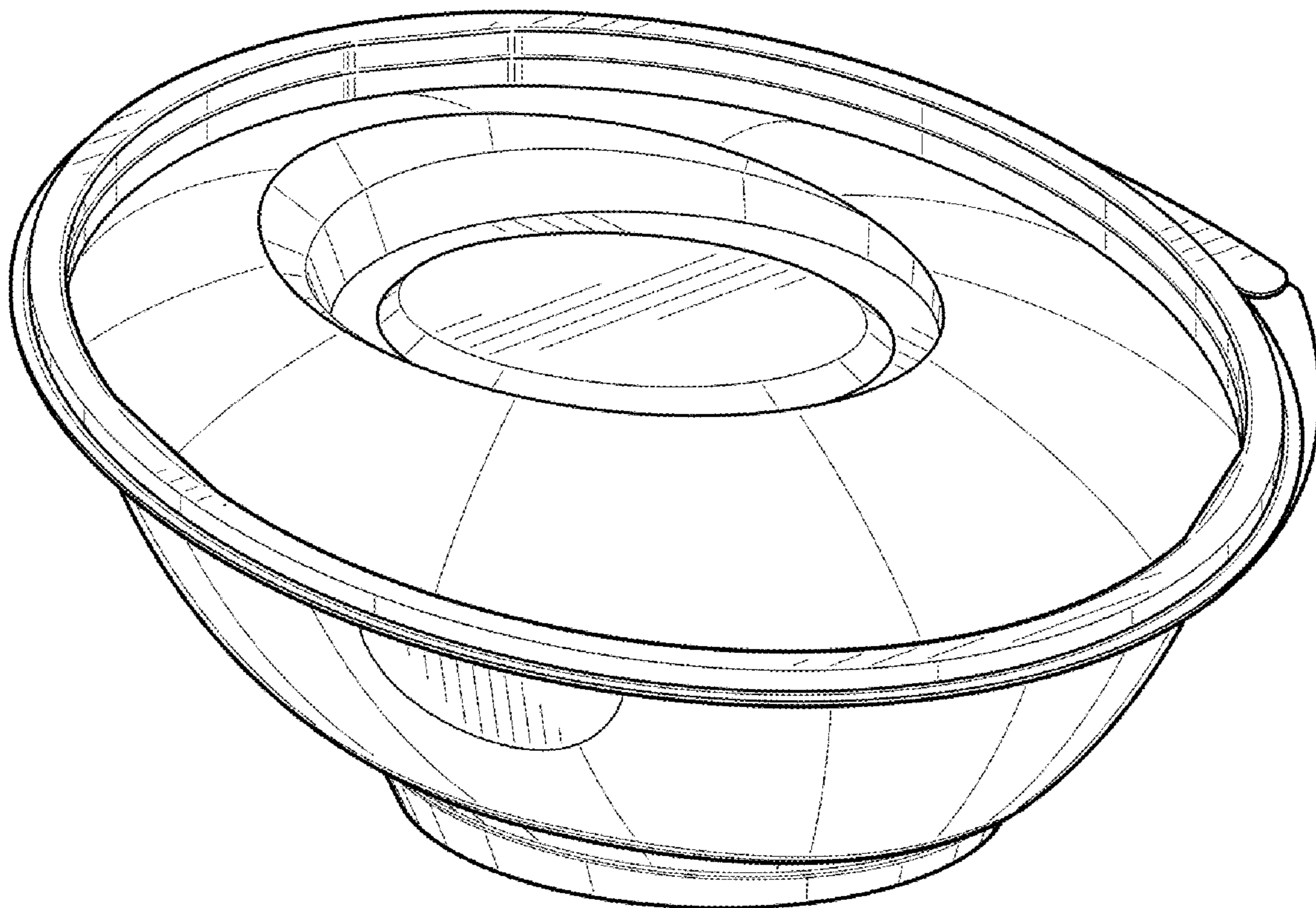
The broken lines depict environment and form no part of the claim. The boundary line indicates the boundary of the claim.

(56) **References Cited**

**U.S. PATENT DOCUMENTS**

D636,641 S	4/2011	Smyers
D687,678 S	8/2013	Del Solar et al.
D717,589 S	11/2014	Harshman
D722,252 S	2/2015	Lee et al.

**1 Claim, 3 Drawing Sheets**



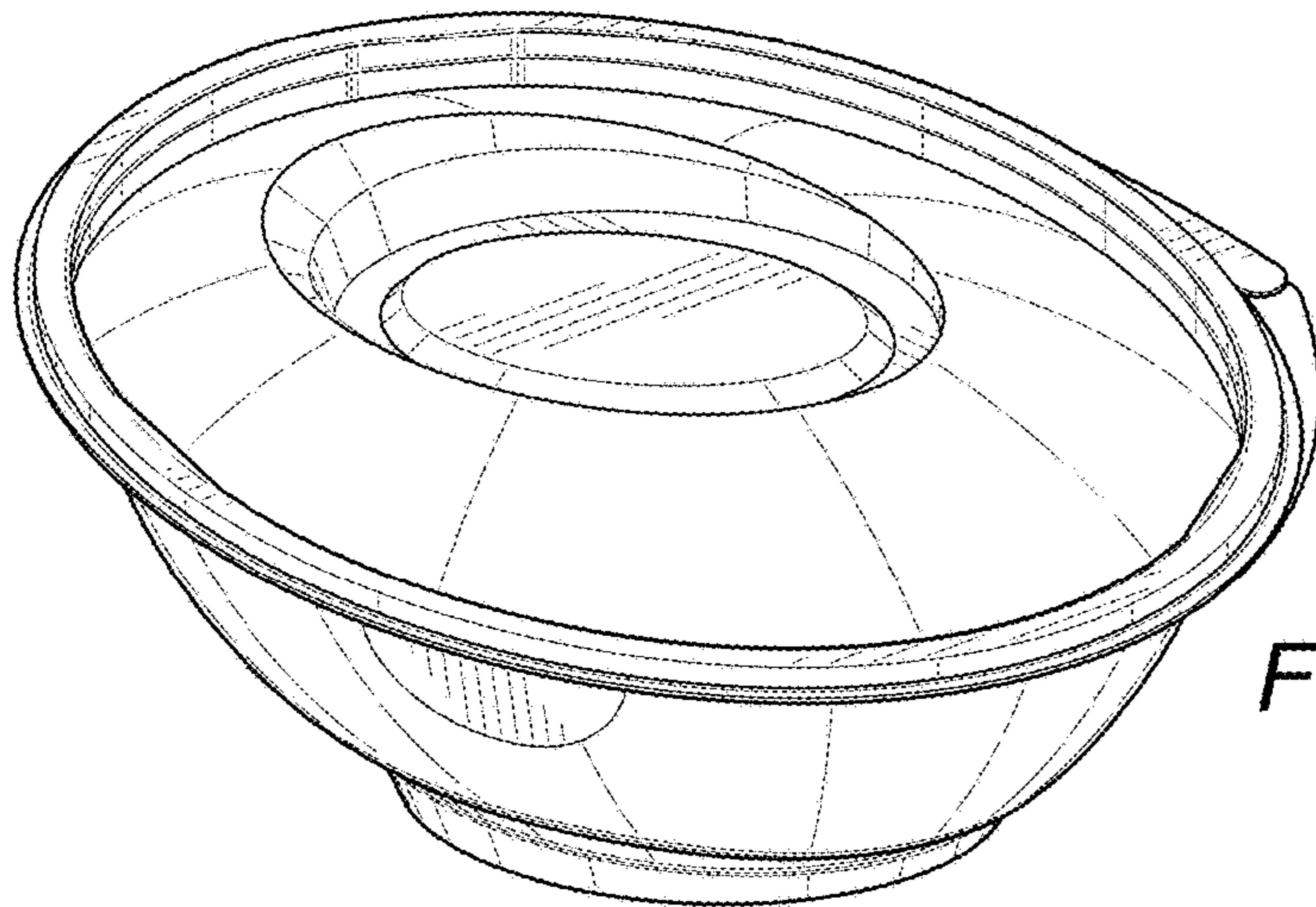


FIG. 1

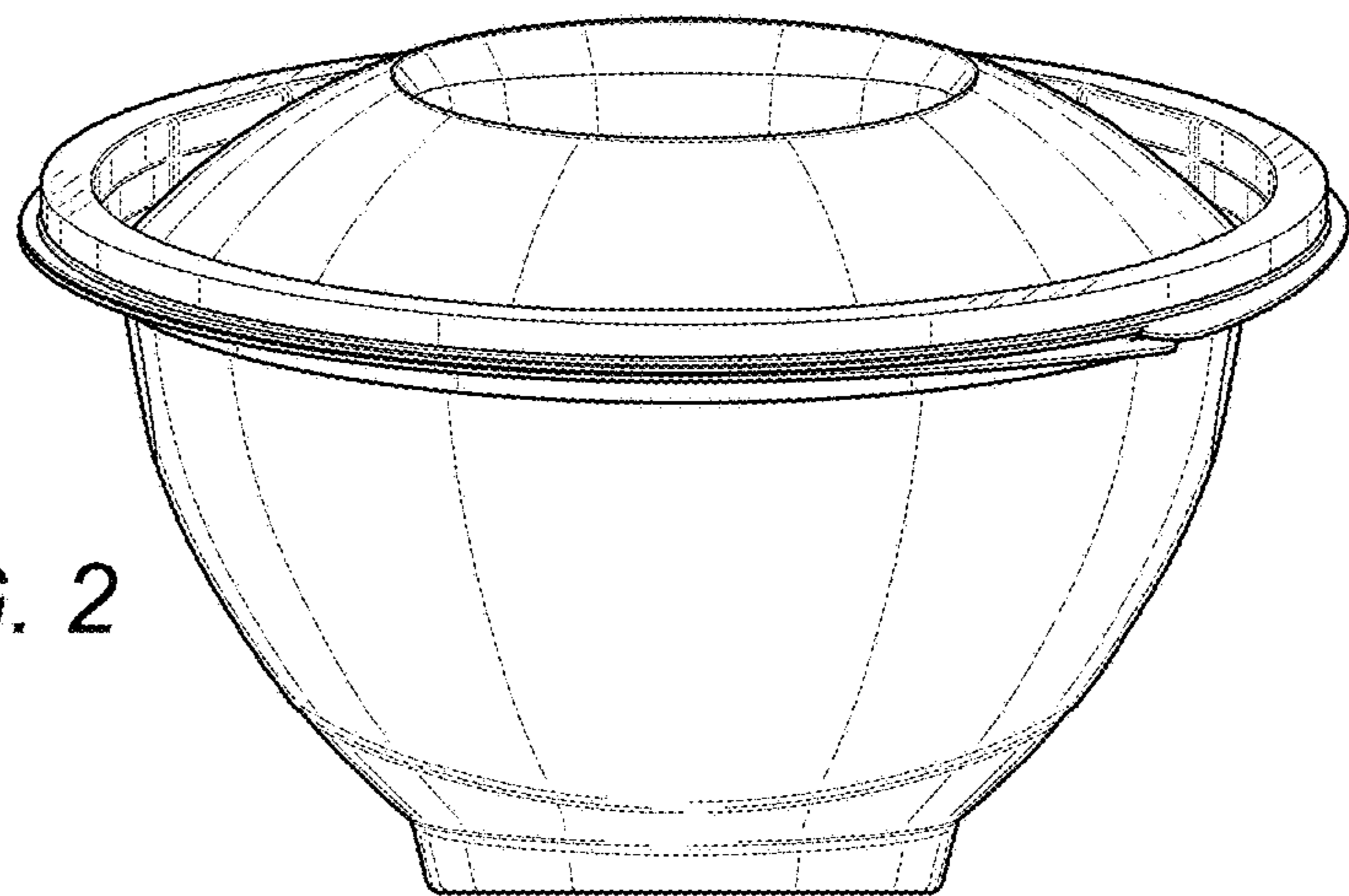


FIG. 2

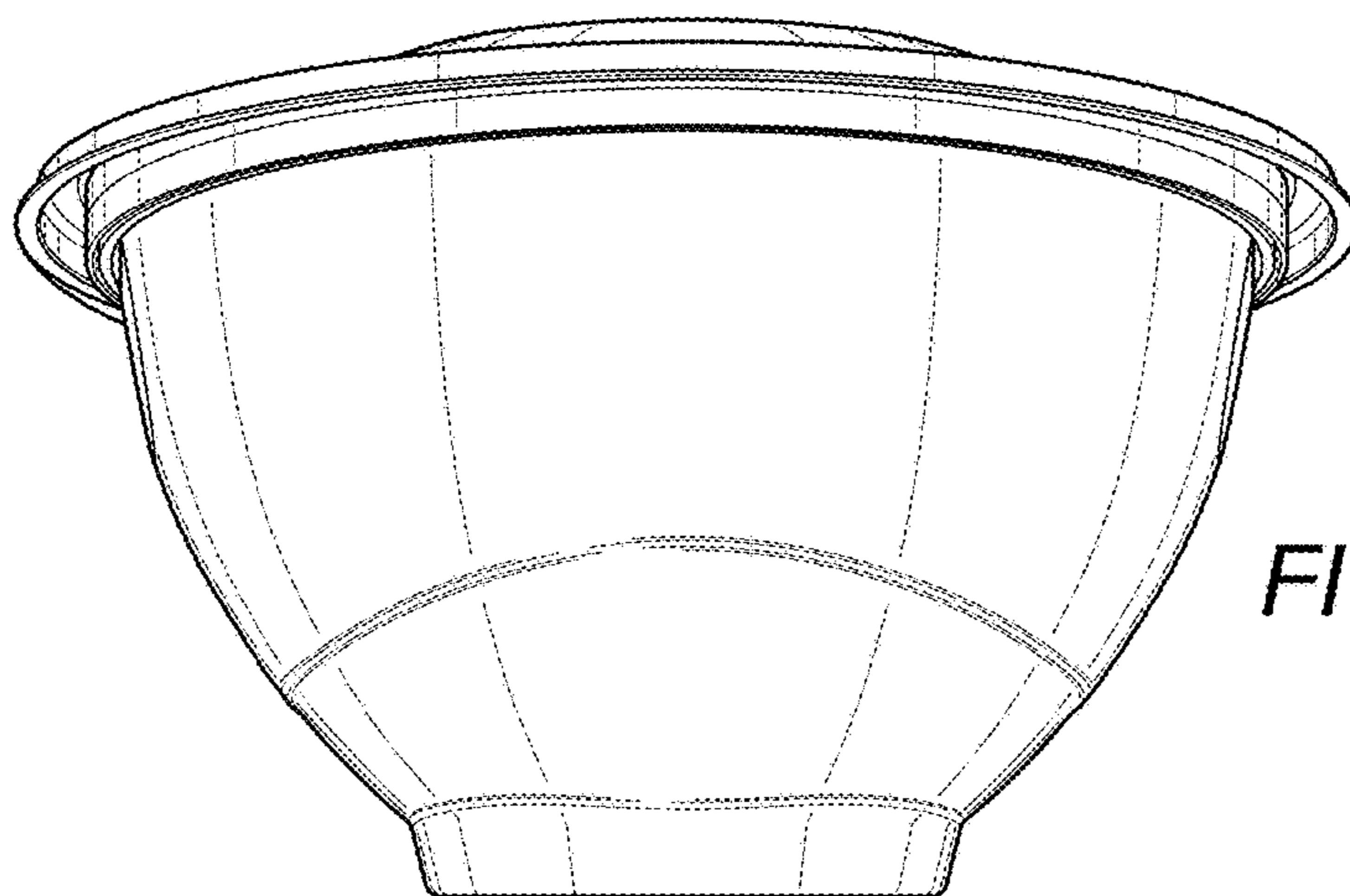


FIG. 3



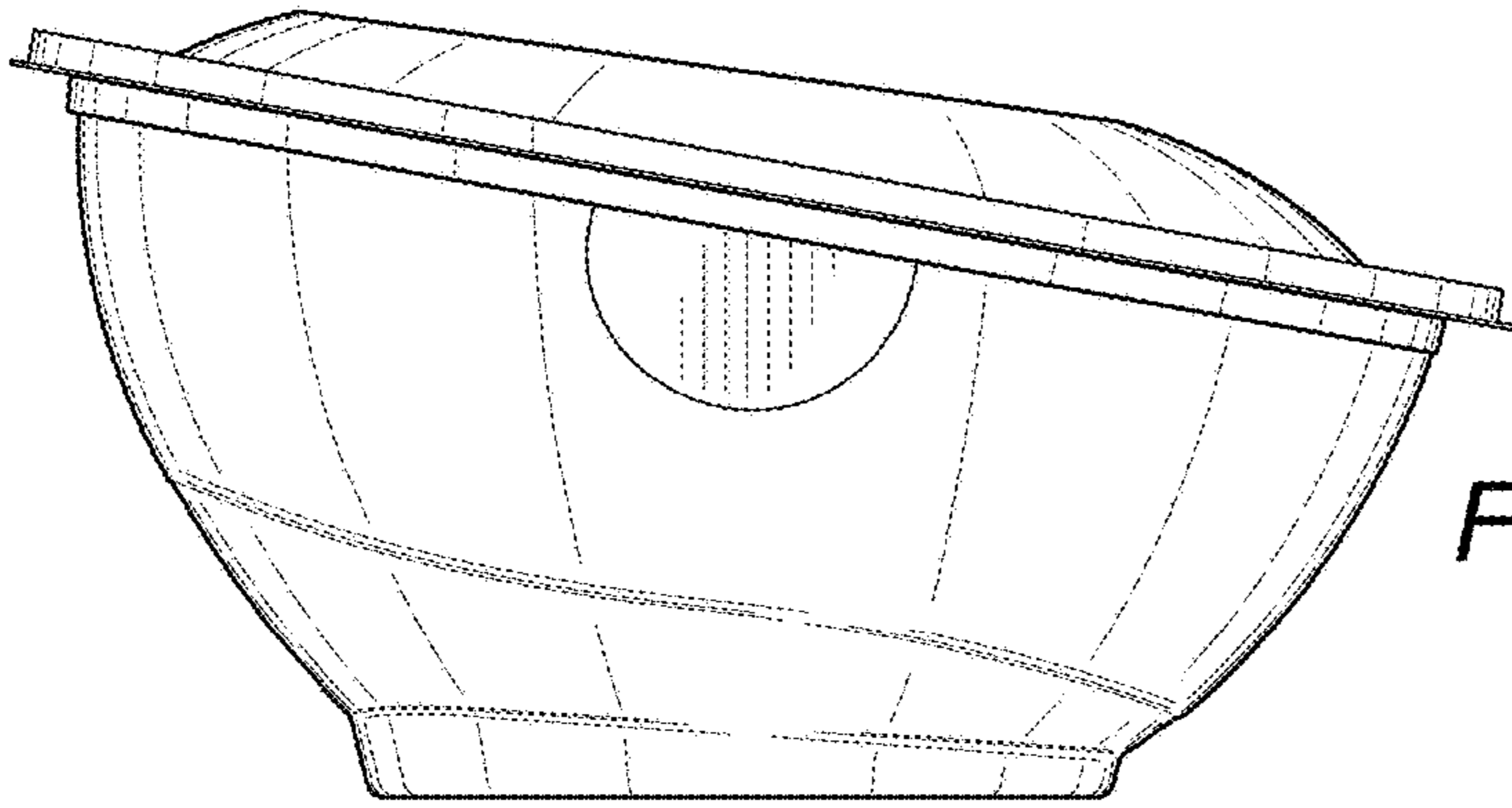


FIG. 4

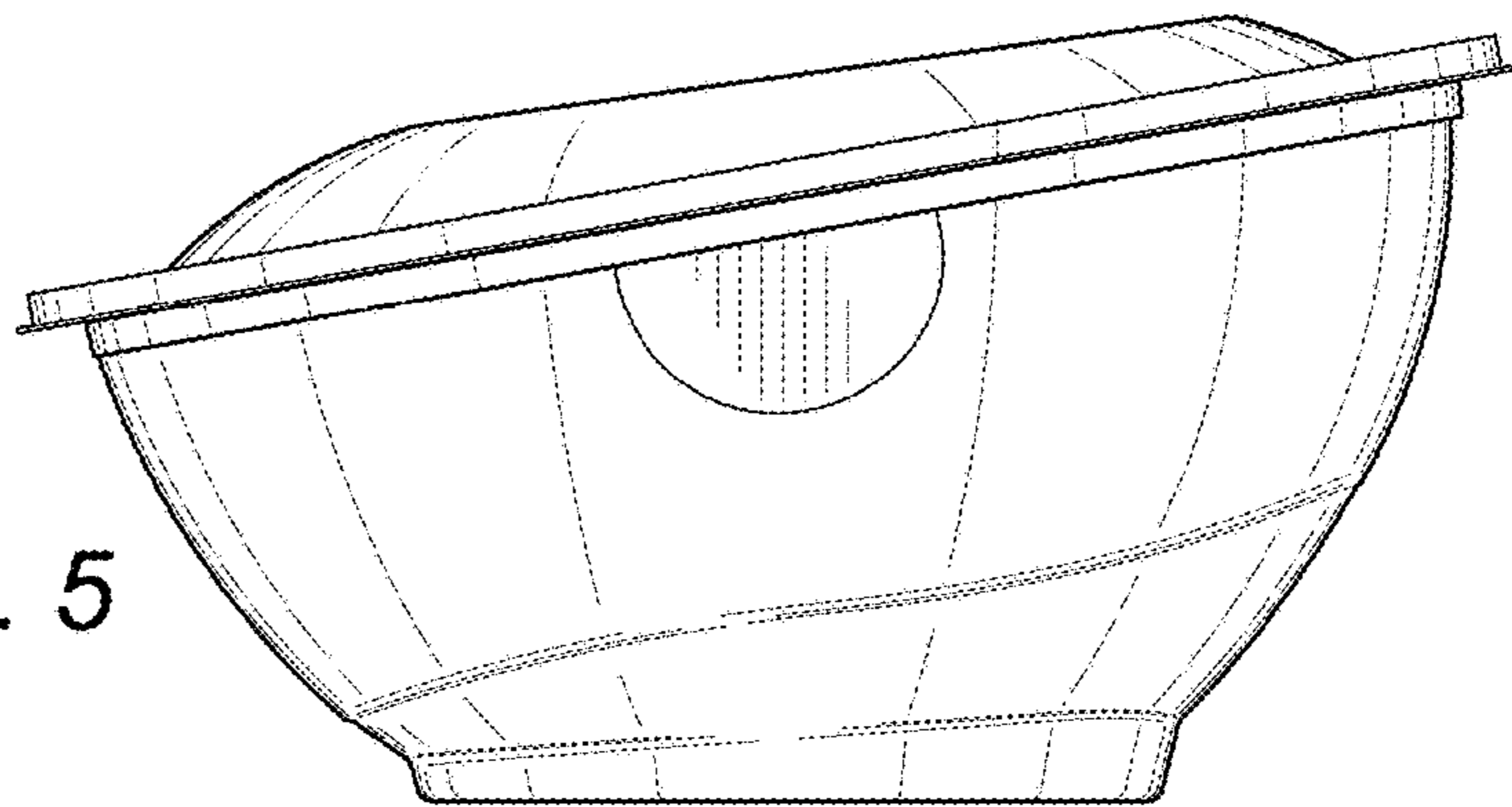


FIG. 5

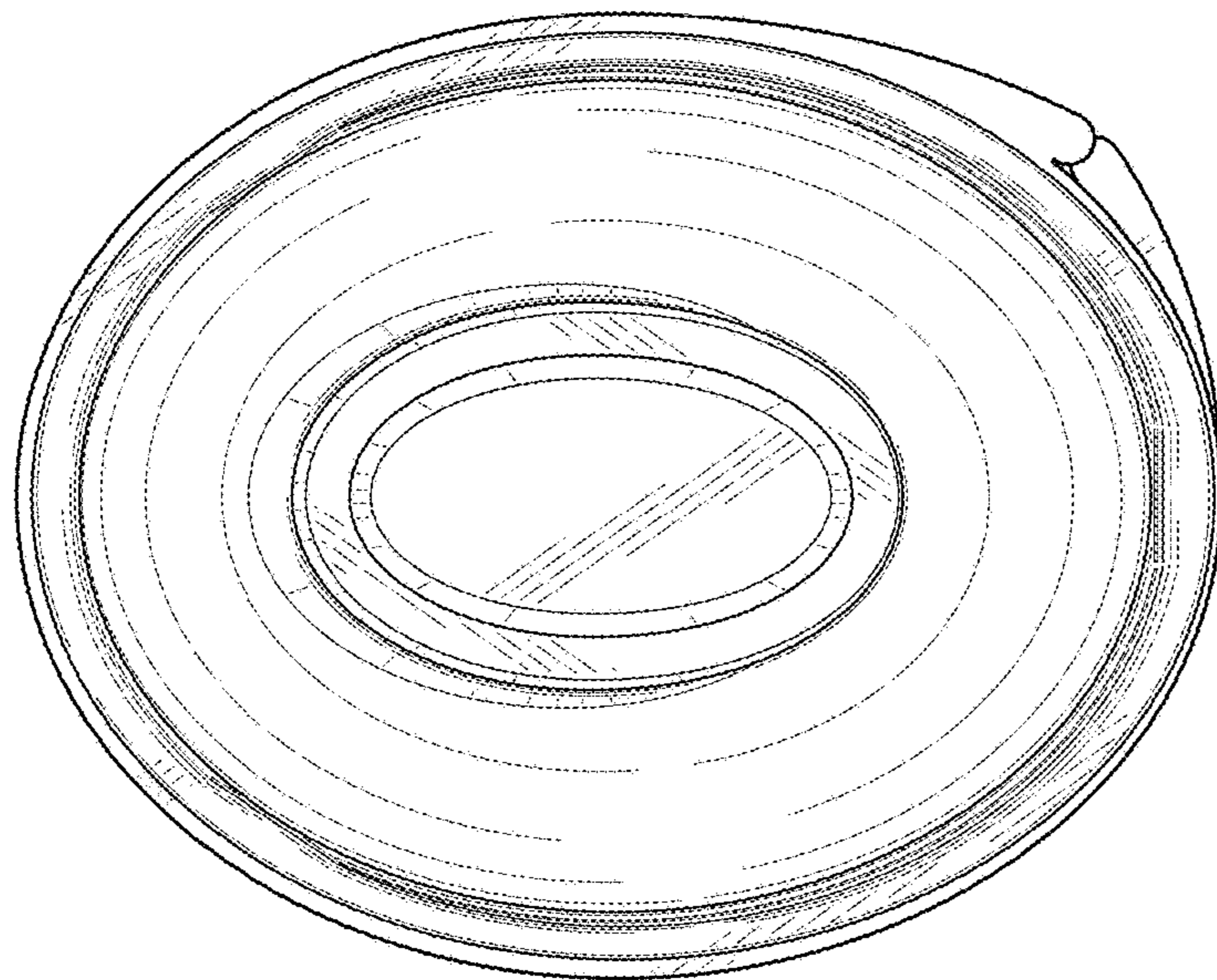


FIG. 6

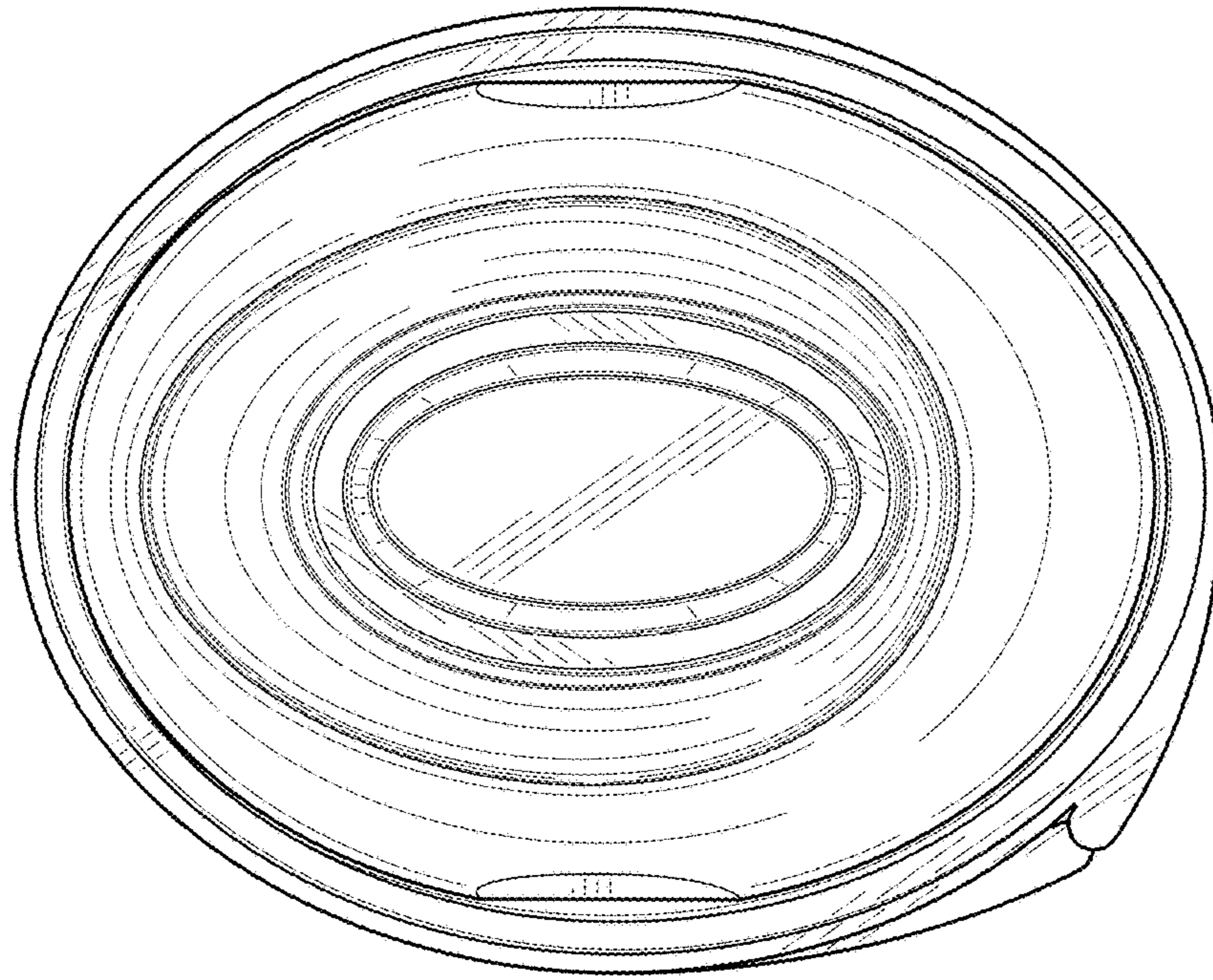


FIG. 7

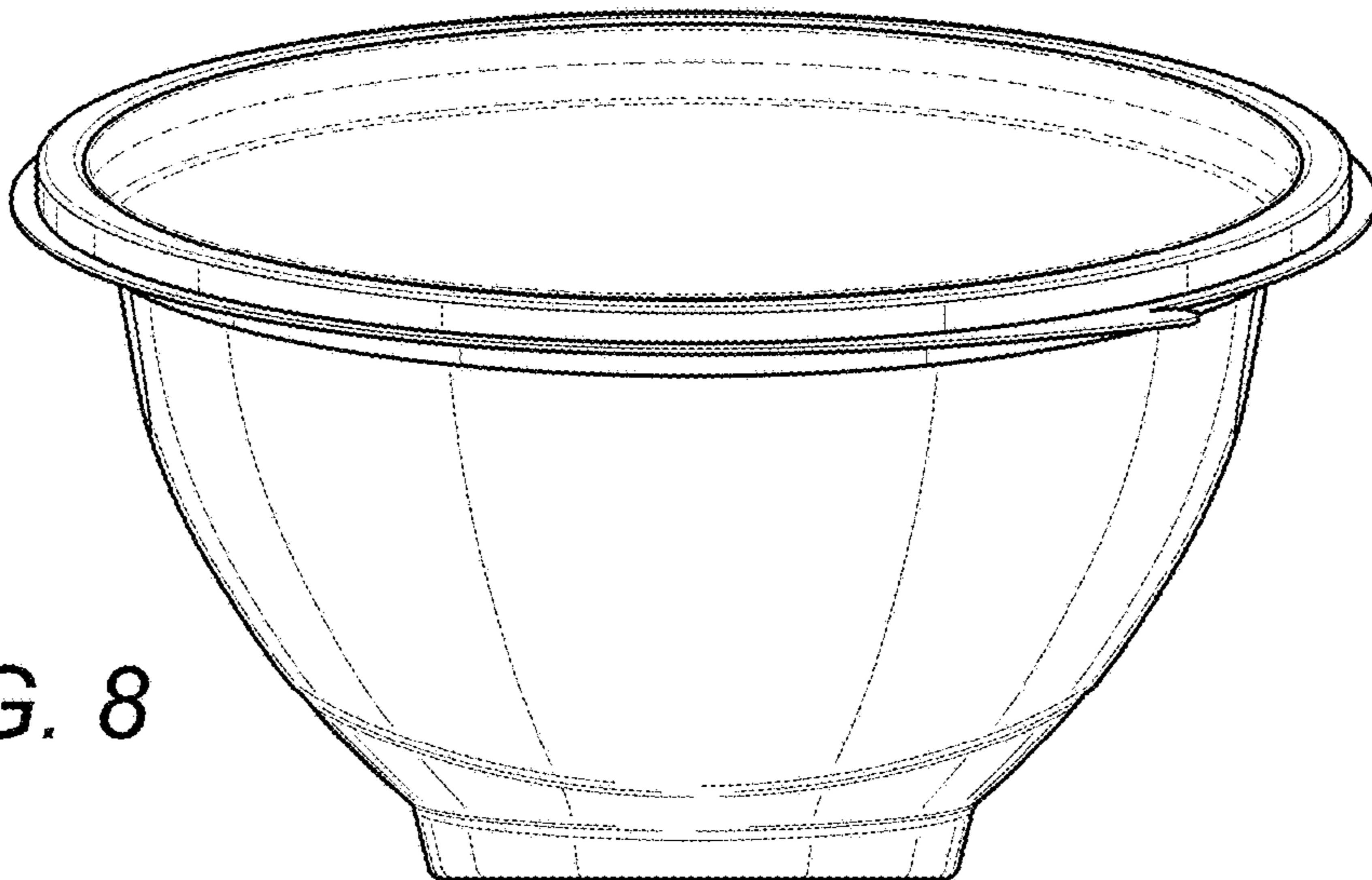
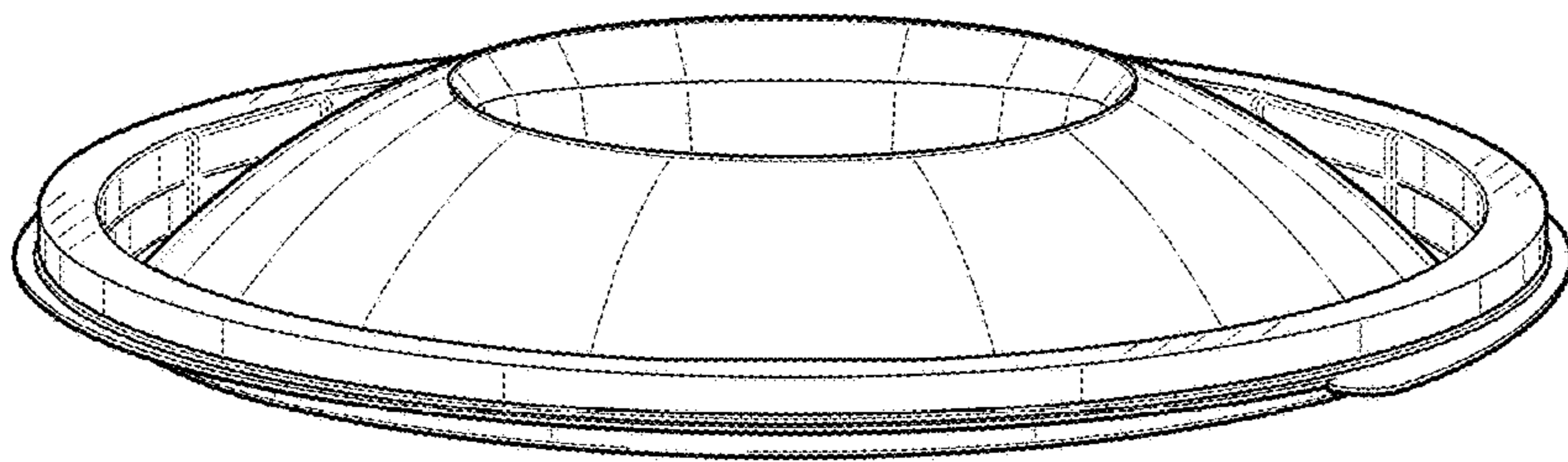


FIG. 8