



US00D827381S

(12) **United States Design Patent**
Boroski

(10) **Patent No.:** **US D827,381 S**
(45) **Date of Patent:** **** Sep. 4, 2018**

(54) **BEVERAGE CONTAINER**

- (71) Applicant: **THERMOS L.L.C.**, Schaumburg, IL (US)
- (72) Inventor: **Dwayne Boroski**, Lake in the Hills, IL (US)
- (73) Assignee: **Thermos L.L.C.**, Schaumburg, IL (US)
- (**) Term: **15 Years**
- (21) Appl. No.: **29/587,509**
- (22) Filed: **Dec. 13, 2016**
- (51) **LOC (11) Cl.** **07-01**
- (52) **U.S. Cl.**
USPC **D7/536; D7/532; D7/533**
- (58) **Field of Classification Search**
USPC D7/507, 509, 510, 511, 523, 527, 529, D7/531, 532, 533, 534, 535, 536, 608, D7/300, 300.1, 300.2, 552.1, 319, 393, D7/394, 387, 391, 392.1, 396.2; D34/39; D9/503, 907, 531, 435, 436, 454, 449, D9/443; 220/592.16, 592.17, 495.03, 220/705-710
CPC A47G 19/22; A47G 19/2205; A47G 19/2222; A45F 3/16; A45F 3/20; B67D 7/06; B67D 1/0004; B65D 25/14
See application file for complete search history.

(56) **References Cited**

U.S. PATENT DOCUMENTS

- D174,793 S * 5/1955 Bliss D7/321
- D289,484 S * 4/1987 Forquer D7/532
- 5,400,907 A * 3/1995 Chen A47G 19/2227
206/459.1
- D381,559 S * 7/1997 Browne D7/512

(Continued)

Primary Examiner — Marianne Pandozzi
Assistant Examiner — Jae Liang

(74) *Attorney, Agent, or Firm* — Polsinelli PC

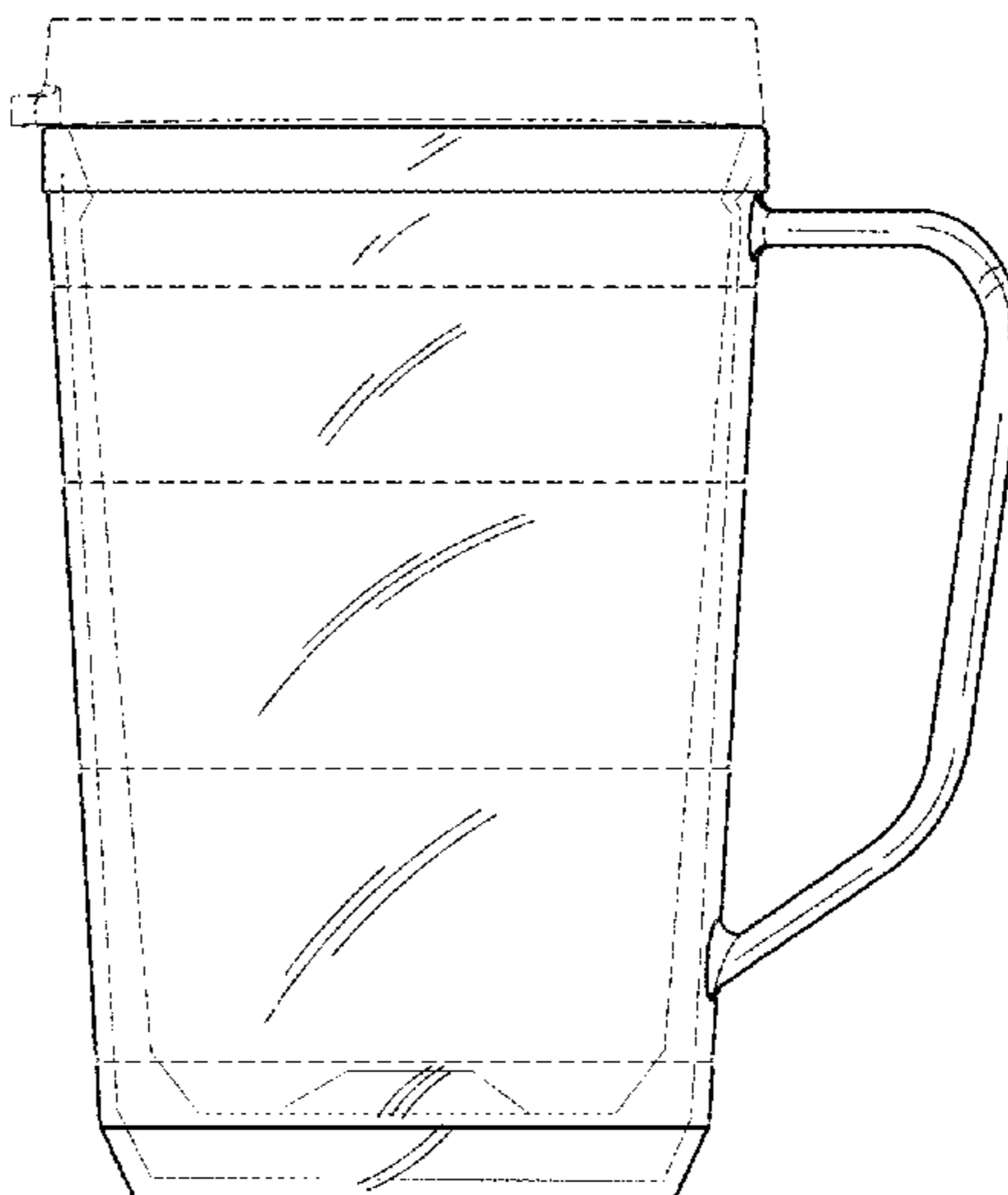
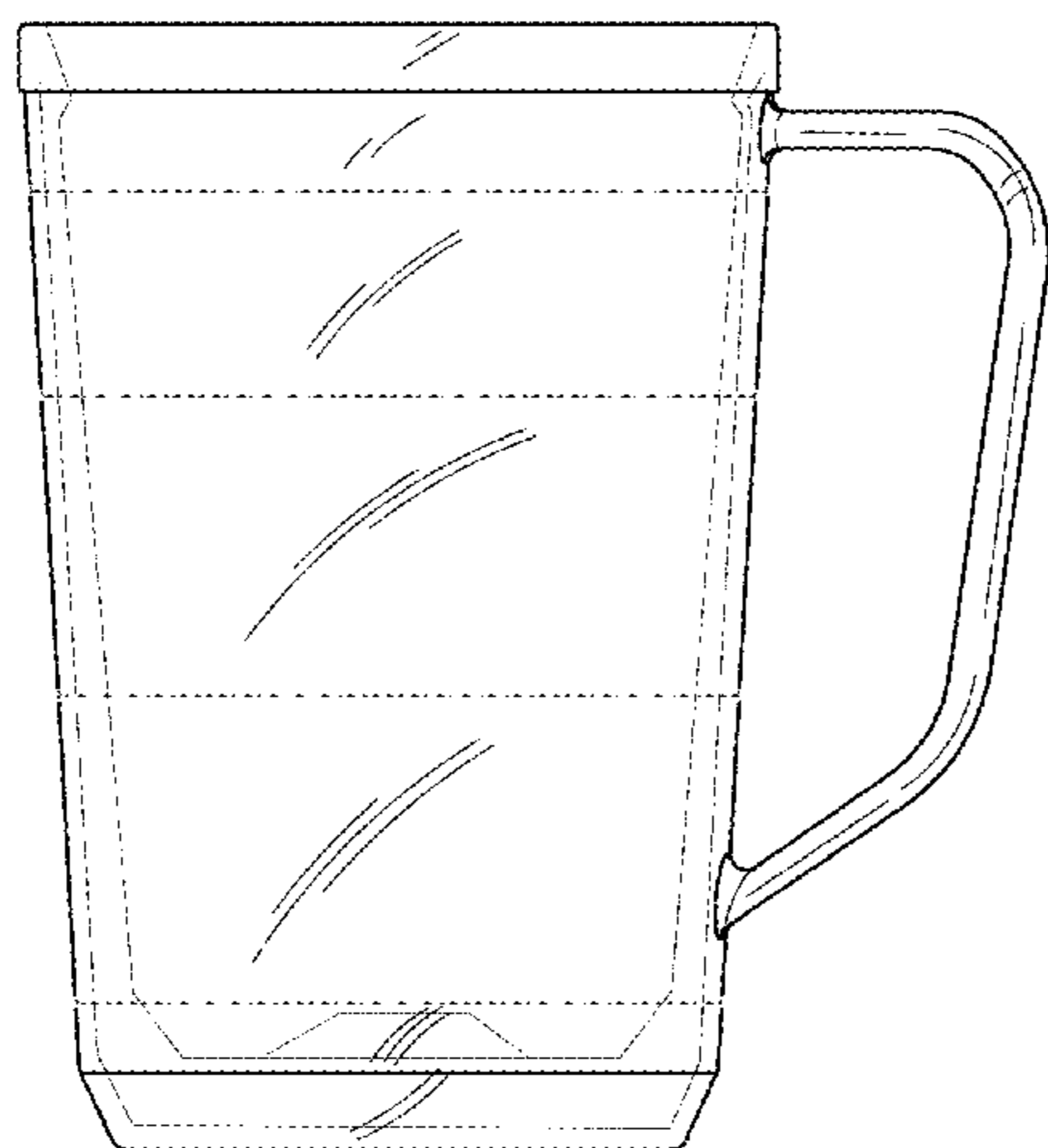
(57) **CLAIM**

The ornamental design for a beverage container, as shown and described.

DESCRIPTION

FIG. 1 is a perspective view of a first embodiment of a beverage container showing our new design;
 FIG. 2 is a front view of the first embodiment of the beverage container;
 FIG. 3 is a rear view of the first embodiment of the beverage container;
 FIG. 4 is a right side view of the first embodiment of the beverage container;
 FIG. 5 is a left side view of the first embodiment of the beverage container;
 FIG. 6 is a top view of the first embodiment of the beverage container;
 FIG. 7 is a bottom view of the first embodiment of the beverage container;
 FIG. 8 is a perspective view of a second embodiment of a beverage container;
 FIG. 9 is a front view of the second embodiment of the beverage container;
 FIG. 10 is a rear view of the second embodiment of the beverage container;
 FIG. 11 is a right side view of the second embodiment of the beverage container;
 FIG. 12 is a left side view of the second embodiment of the beverage container;
 FIG. 13 is a top view of the second embodiment of the beverage container; and,
 FIG. 14 is a bottom view of the second embodiment of the beverage container.
 The broken lines in the drawings depict portions of the beverage container that form no part of the claimed design. The dash-dot lines in the drawings represent the bounds of the claim and form no part of the claimed design.

1 Claim, 8 Drawing Sheets



(56)

References Cited

U.S. PATENT DOCUMENTS

D401,808	S	*	12/1998	Grivsky	D7/514
D534,396	S	*	1/2007	Kramer	D7/523
D548,534	S	*	8/2007	Sullivan	D7/509
D549,523	S	*	8/2007	Montes	D7/509
D552,932	S	*	10/2007	Carlson	D7/509
D553,910	S	*	10/2007	Bodum	D7/509
D557,563	S	*	12/2007	Bodum	D7/509
D565,902	S	*	4/2008	Bodum	D7/500
D567,568	S	*	4/2008	Bodum	D7/316
D567,590	S	*	4/2008	Bodum	D7/533
D581,739	S	*	12/2008	Bodum	D7/509
D587,528	S	*	3/2009	Trombly	D7/536
D610,254	S	*	2/2010	Huff	D24/121
D614,448	S	*	4/2010	Cahen	D7/523
D635,401	S	*	4/2011	DelVecchio	D7/530
D655,134	S	*	3/2012	Gilbert	D7/510
D680,378	S	*	4/2013	Romley	D7/532
D684,819	S	*	6/2013	Smith	D7/514
D688,523	S	*	8/2013	Lees	D7/510
D725,970	S	*	4/2015	Karussi	D7/523
D730,696	S	*	6/2015	Nemeth	D7/523
D747,626	S	*	1/2016	Morris, II	D7/533
D747,925	S	*	1/2016	Engler	D7/510
D779,883	S	*	2/2017	Karussi	D7/523
D780,519	S	*	3/2017	Karussi	B29C 45/2618
						D7/524
D788,530	S	*	6/2017	Kestenbaum	D7/509
D795,007	S	*	8/2017	Plassmeyer	D7/392.1
2003/0090897	A1	*	5/2003	Su	A01K 85/01
						362/186
2013/0270264	A1	*	10/2013	Suljak	A45C 11/20
						220/4.03

* cited by examiner

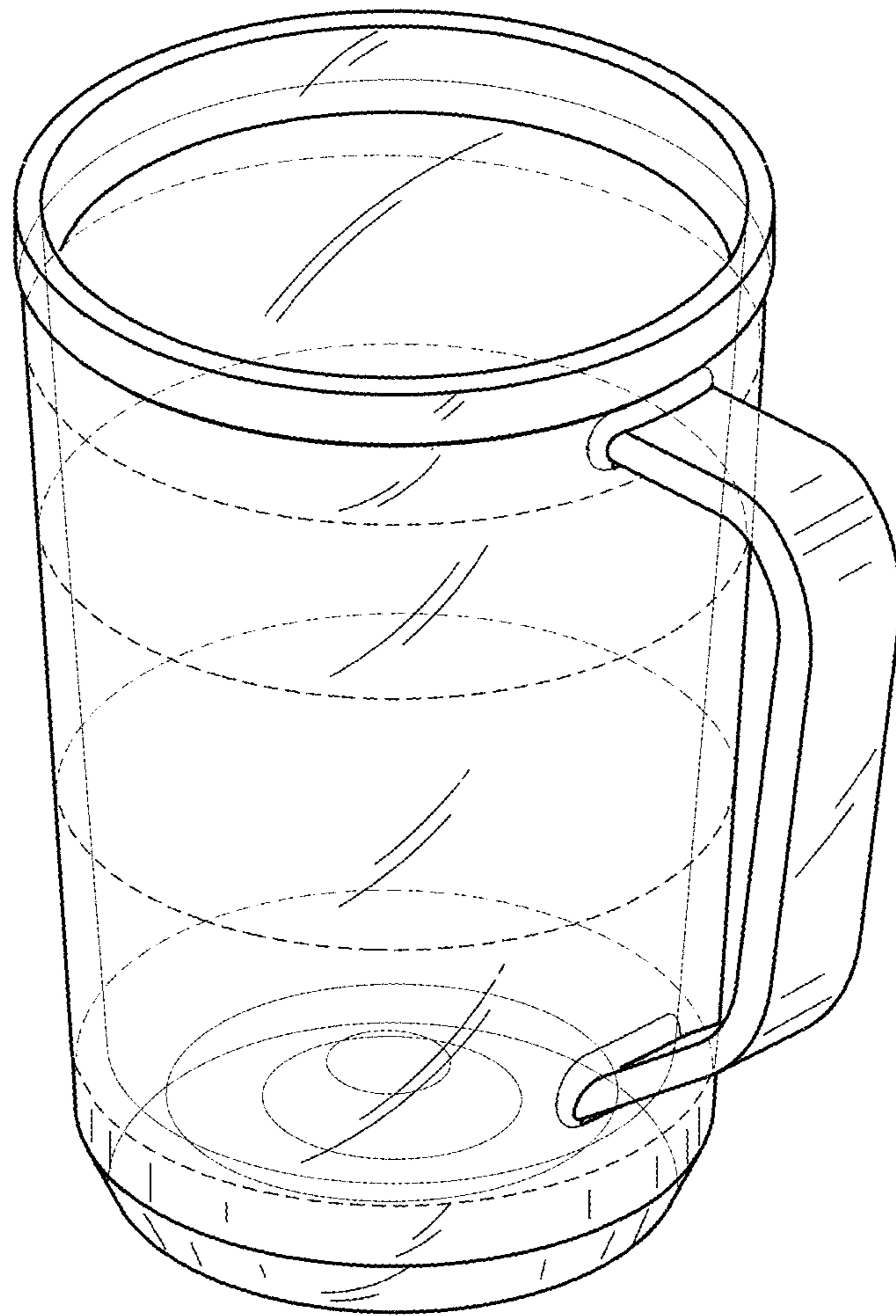


FIG. 1

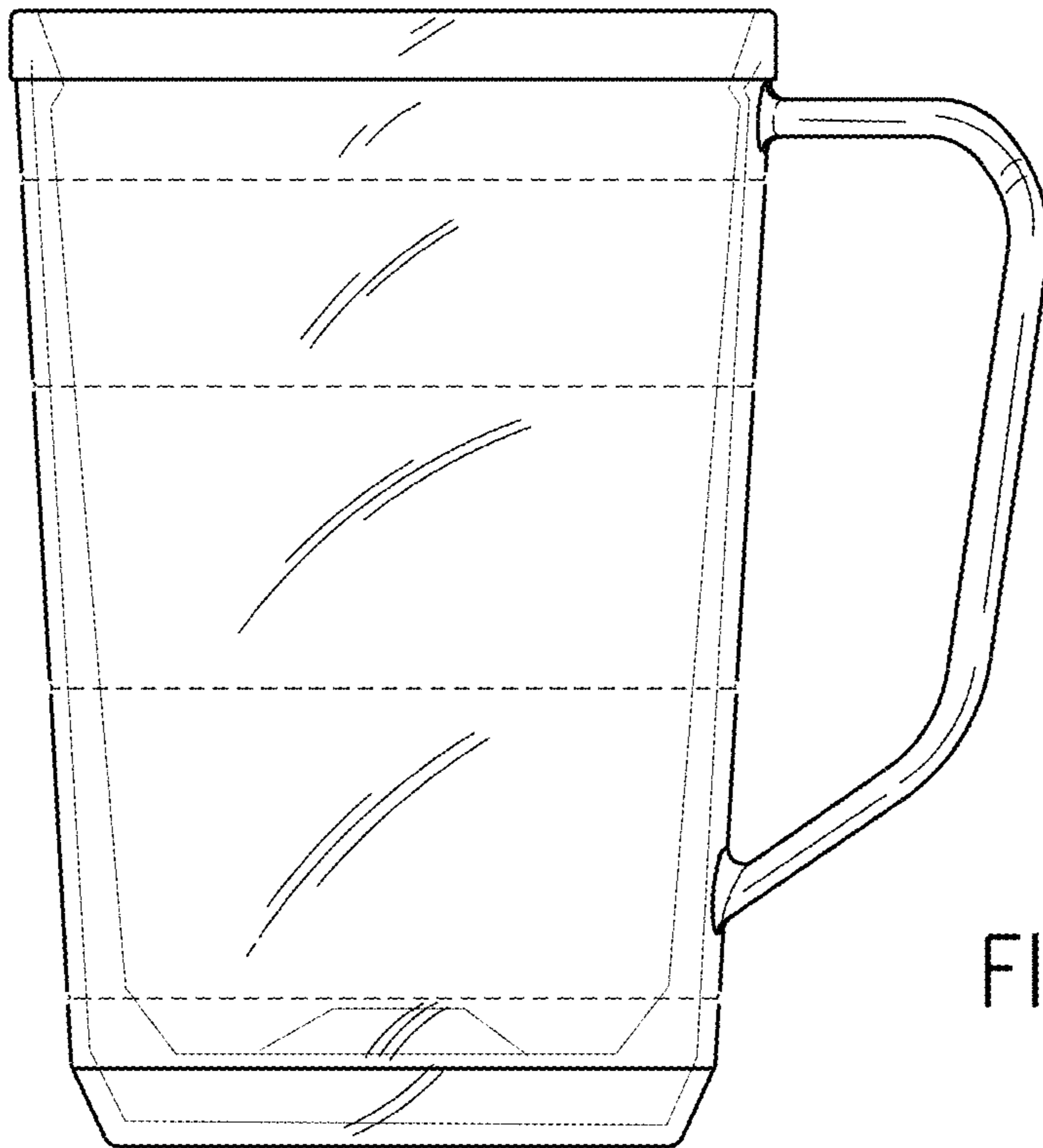


FIG. 2

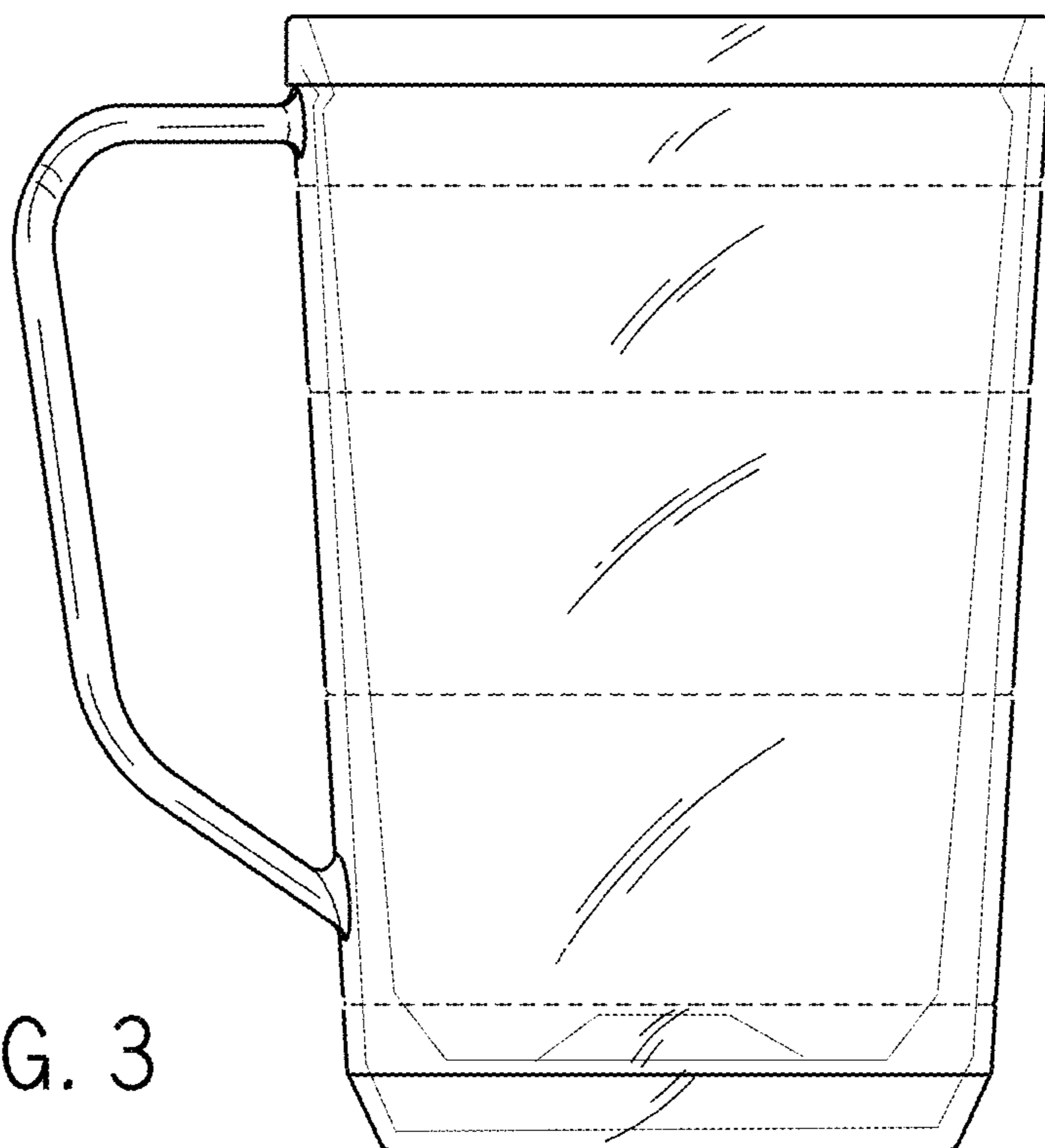


FIG. 3

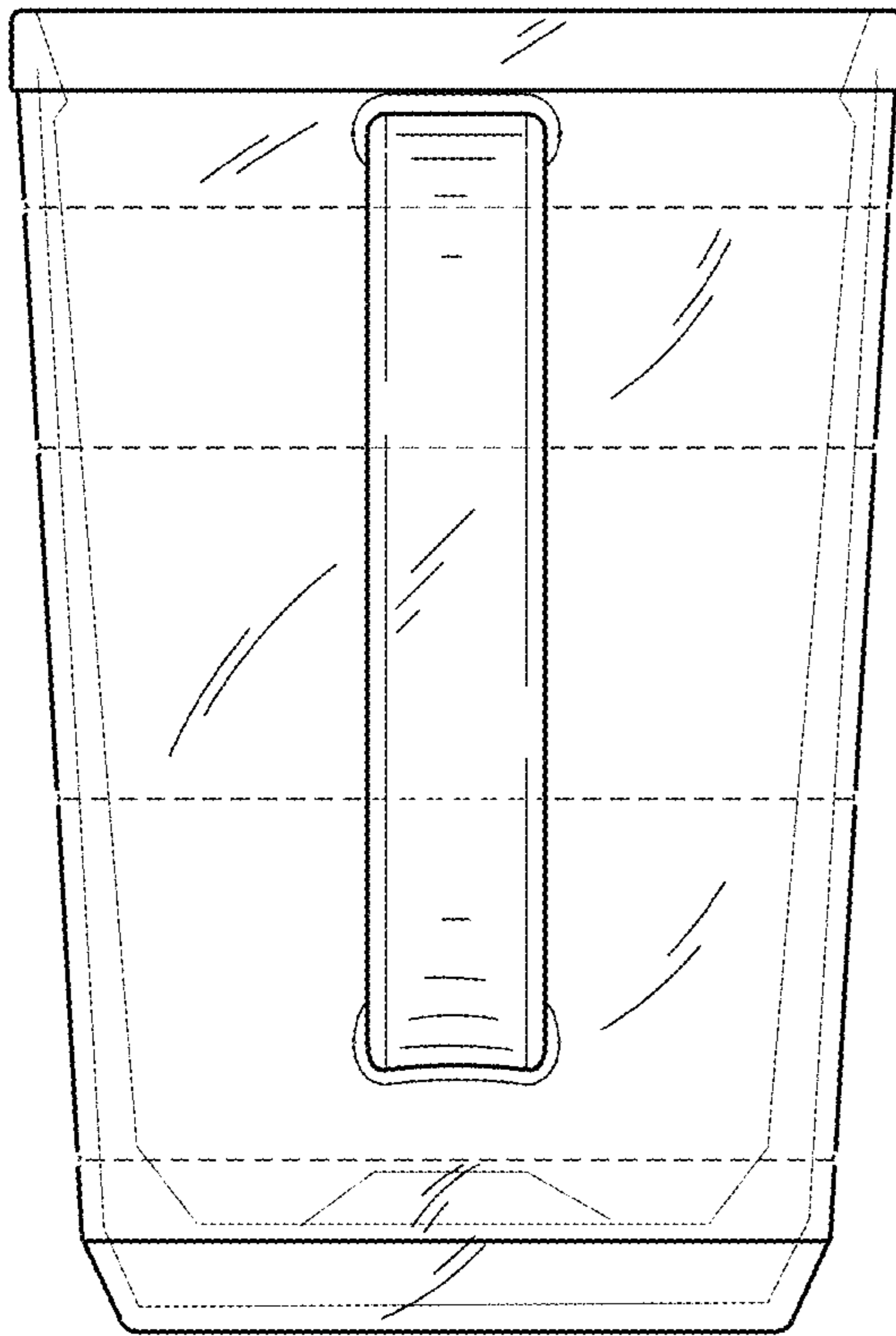


FIG. 4

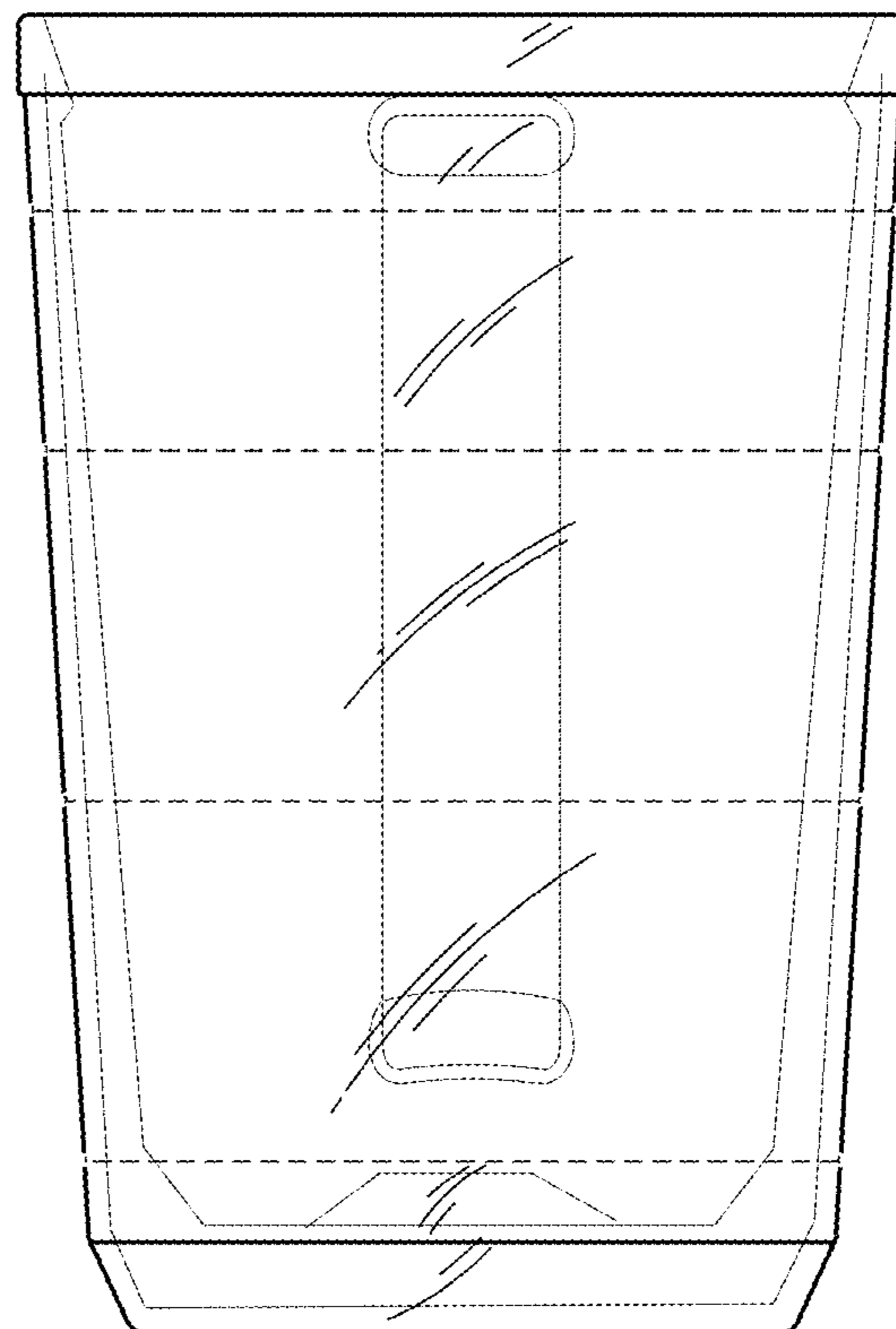


FIG. 5

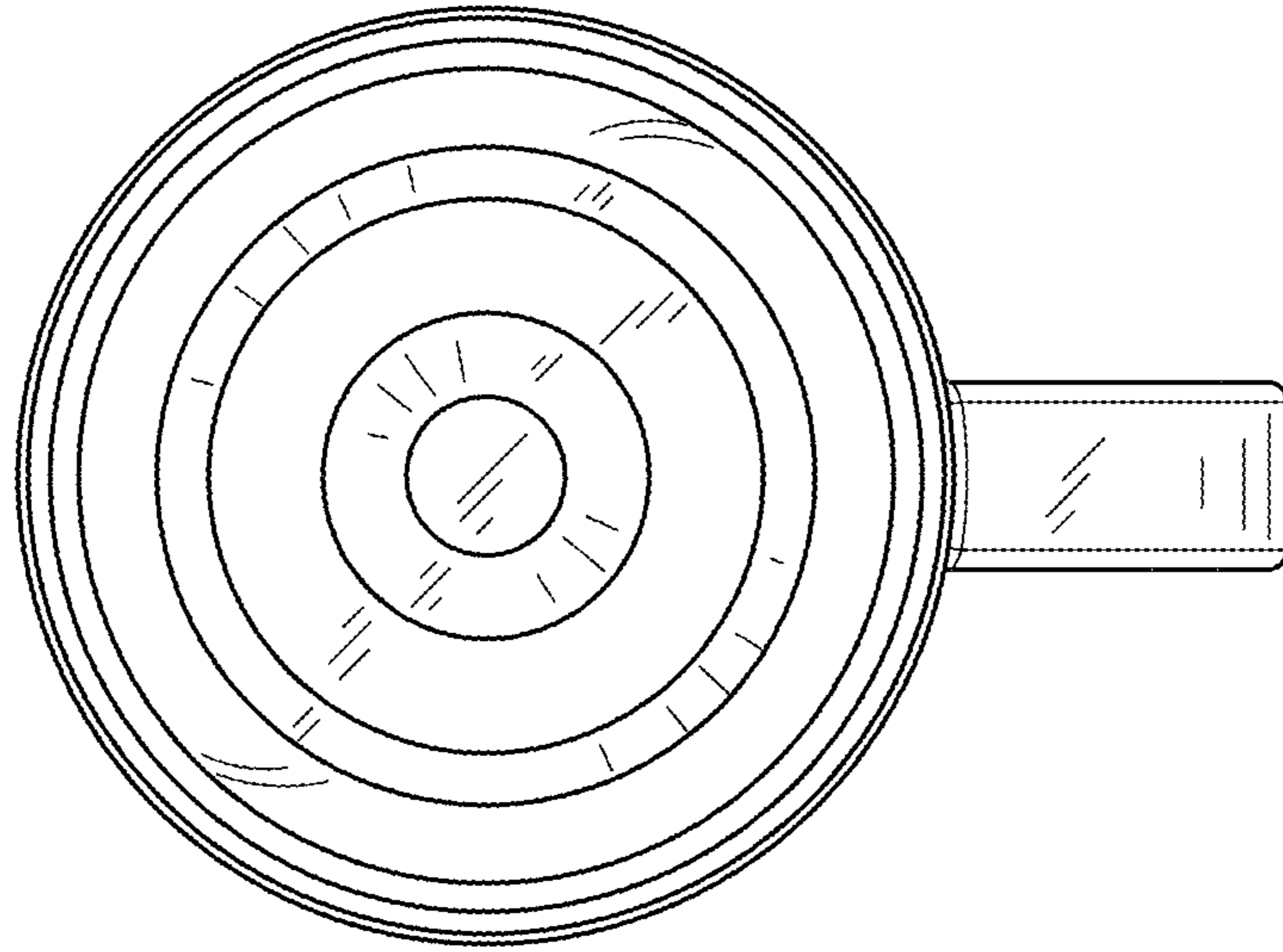


FIG. 6

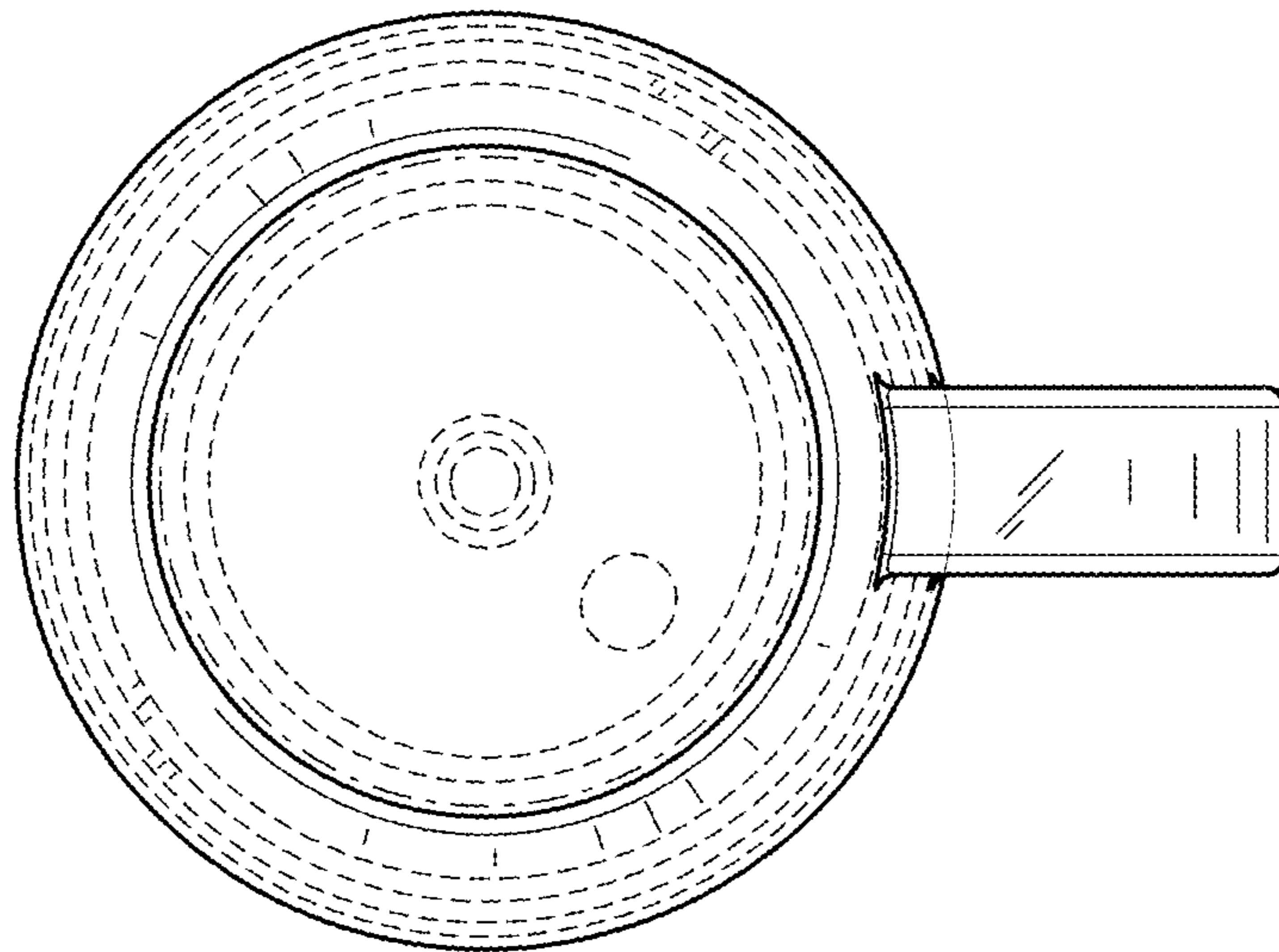


FIG. 7

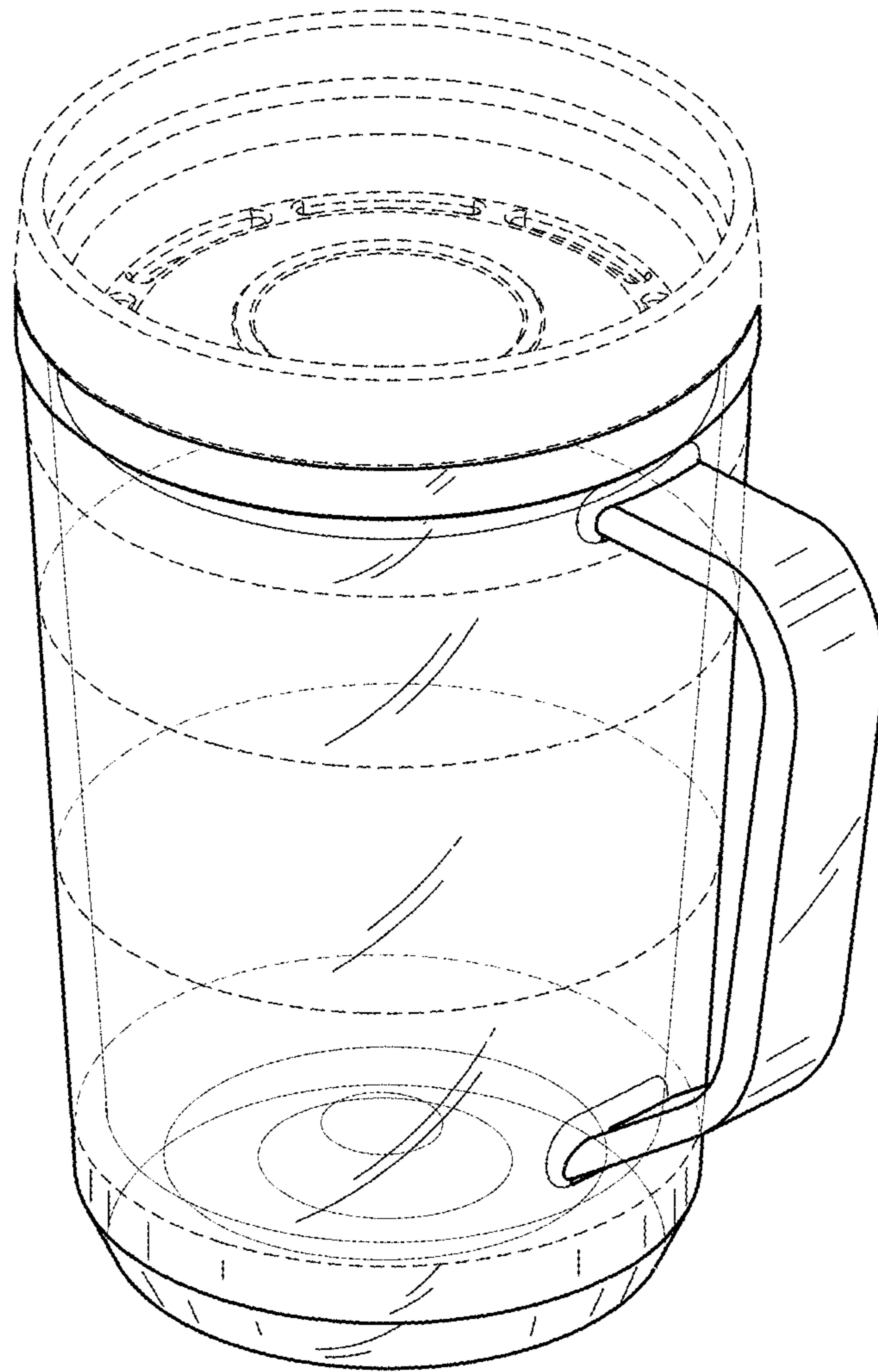


FIG. 8

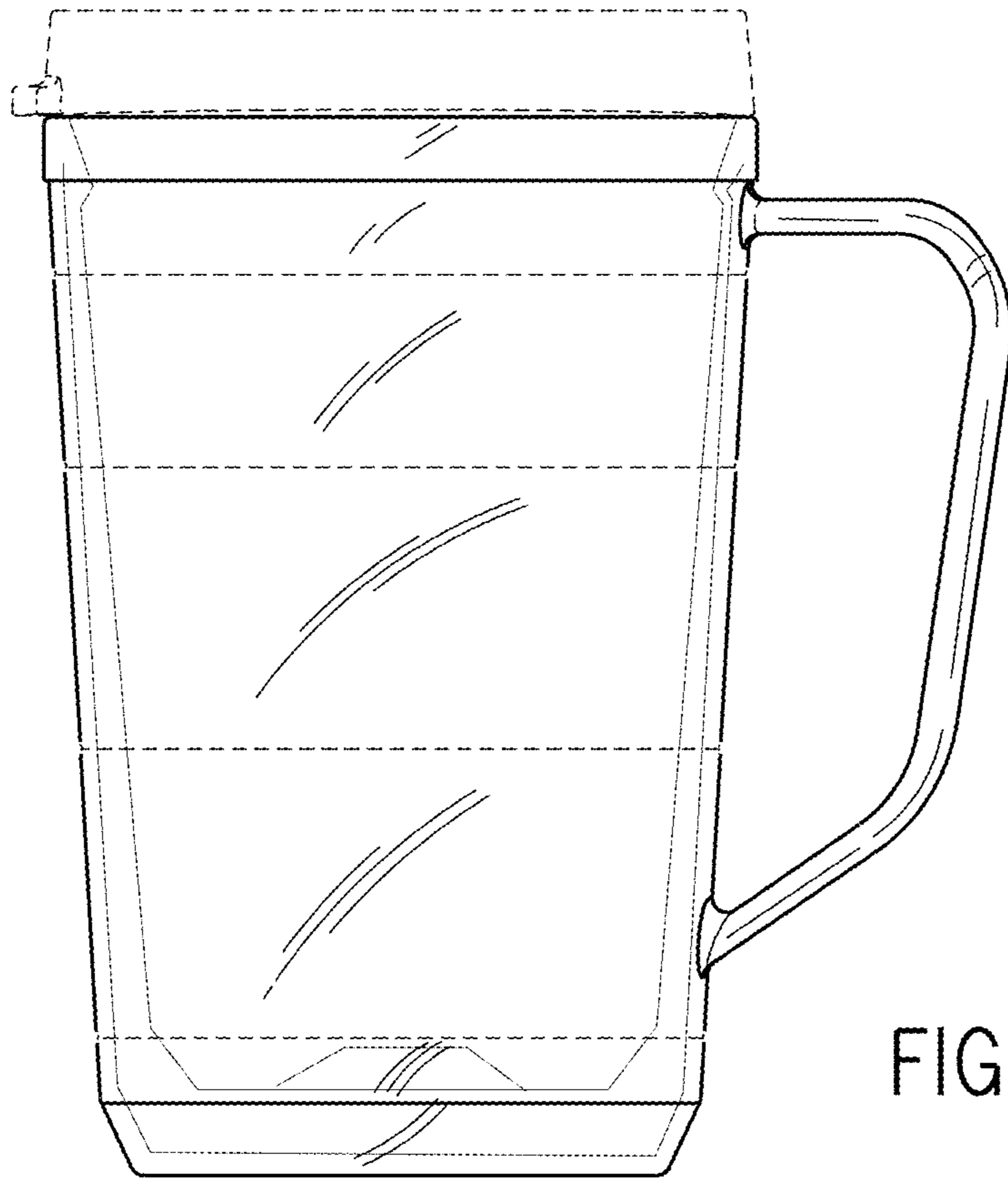


FIG. 9

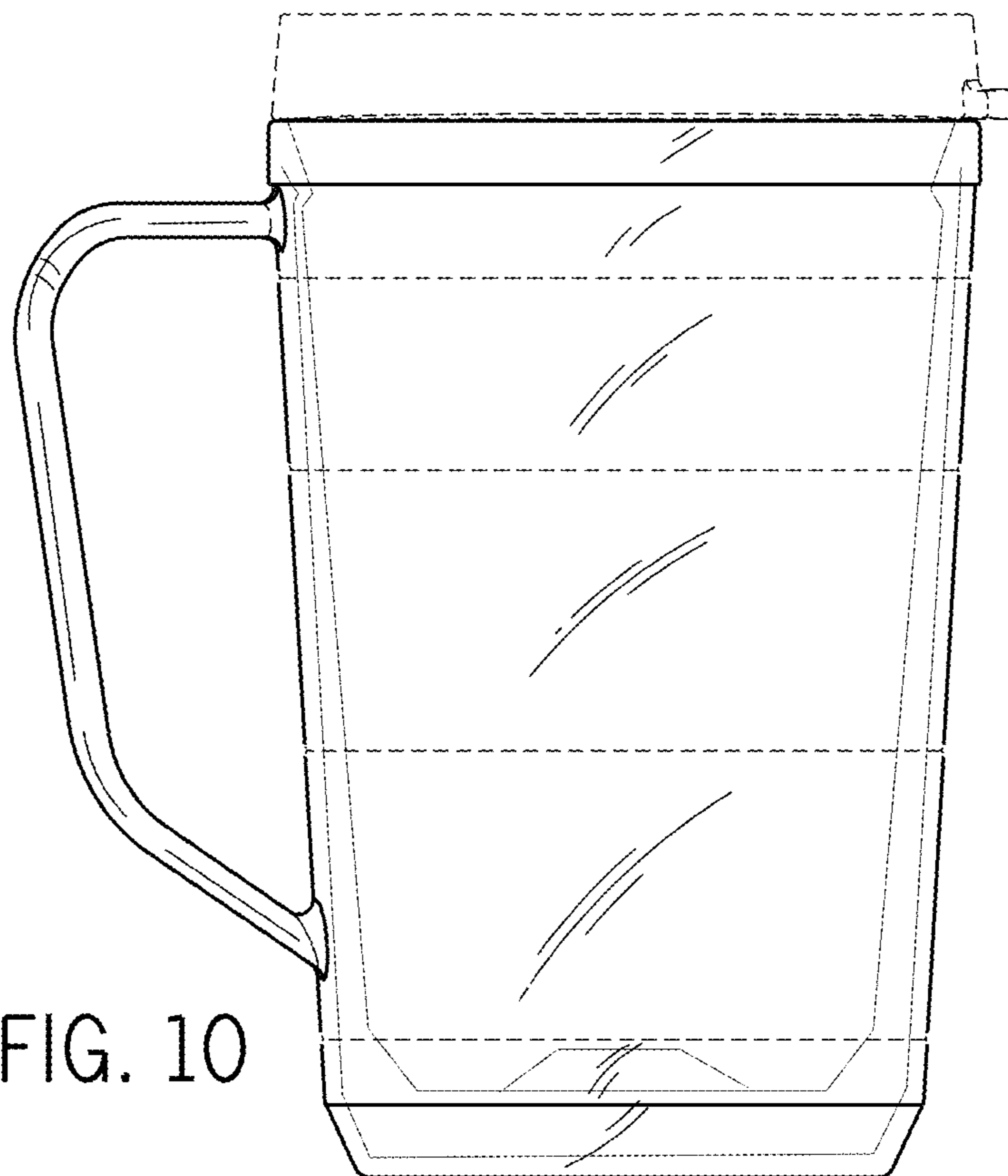


FIG. 10

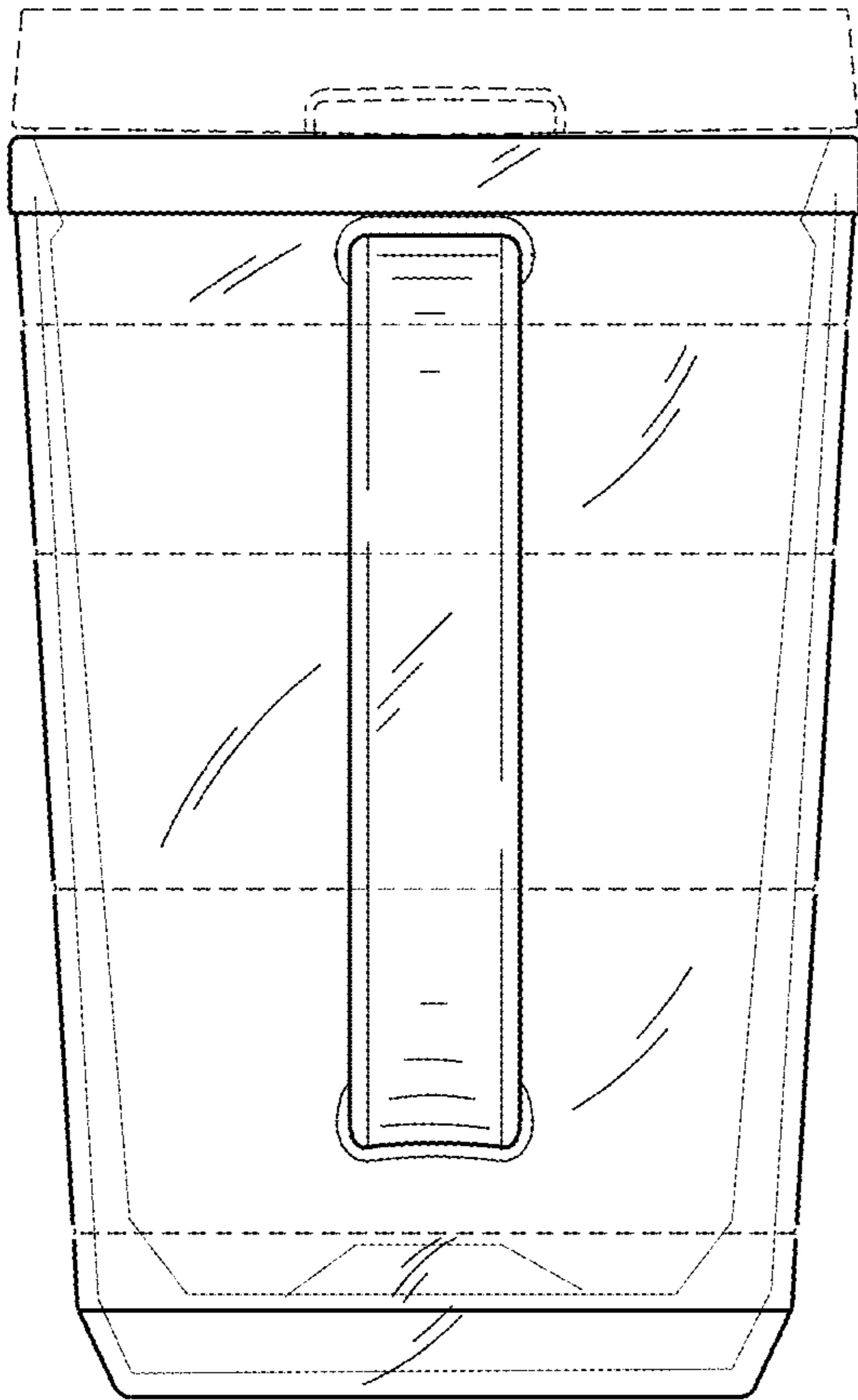


FIG. 11

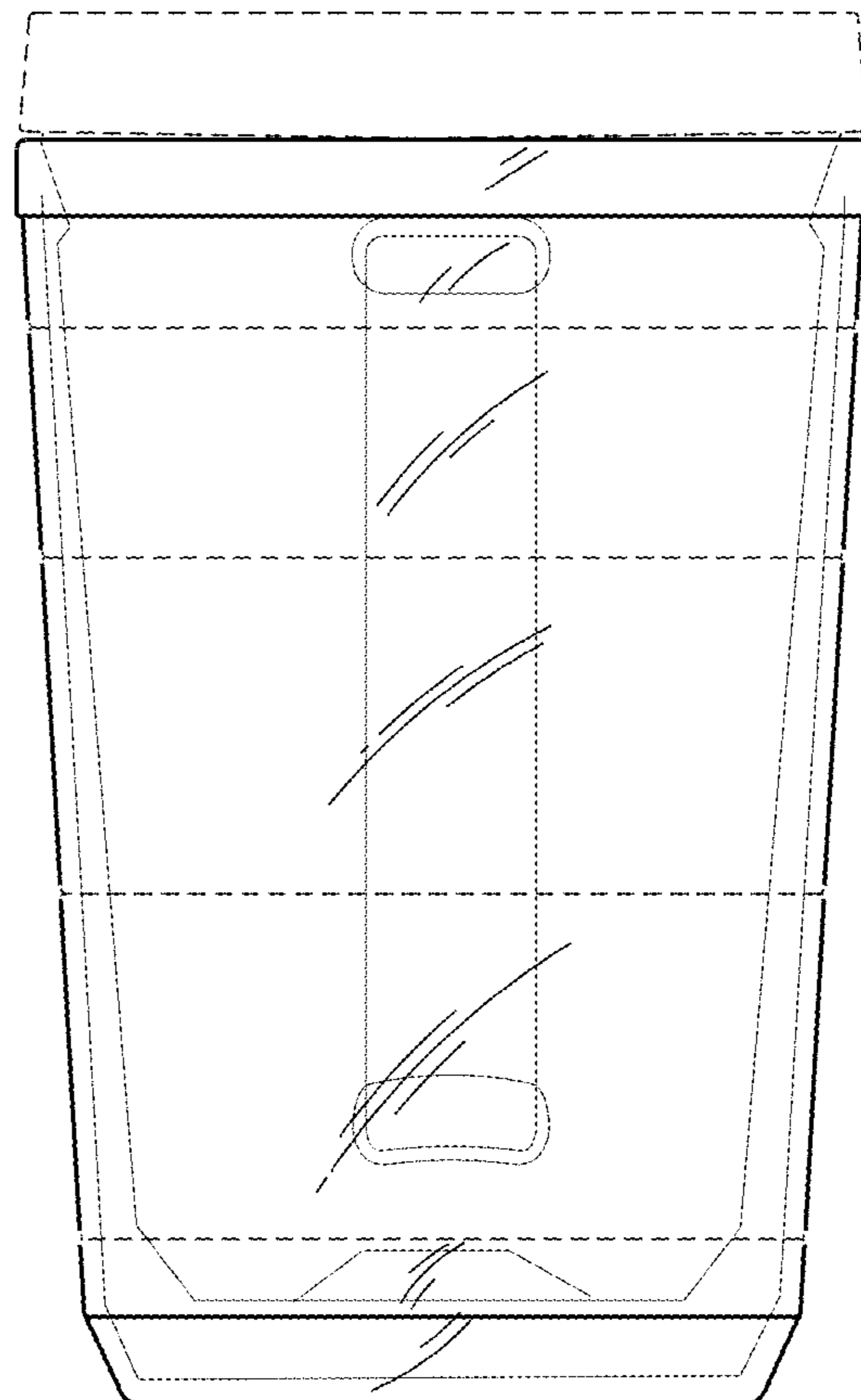


FIG. 12

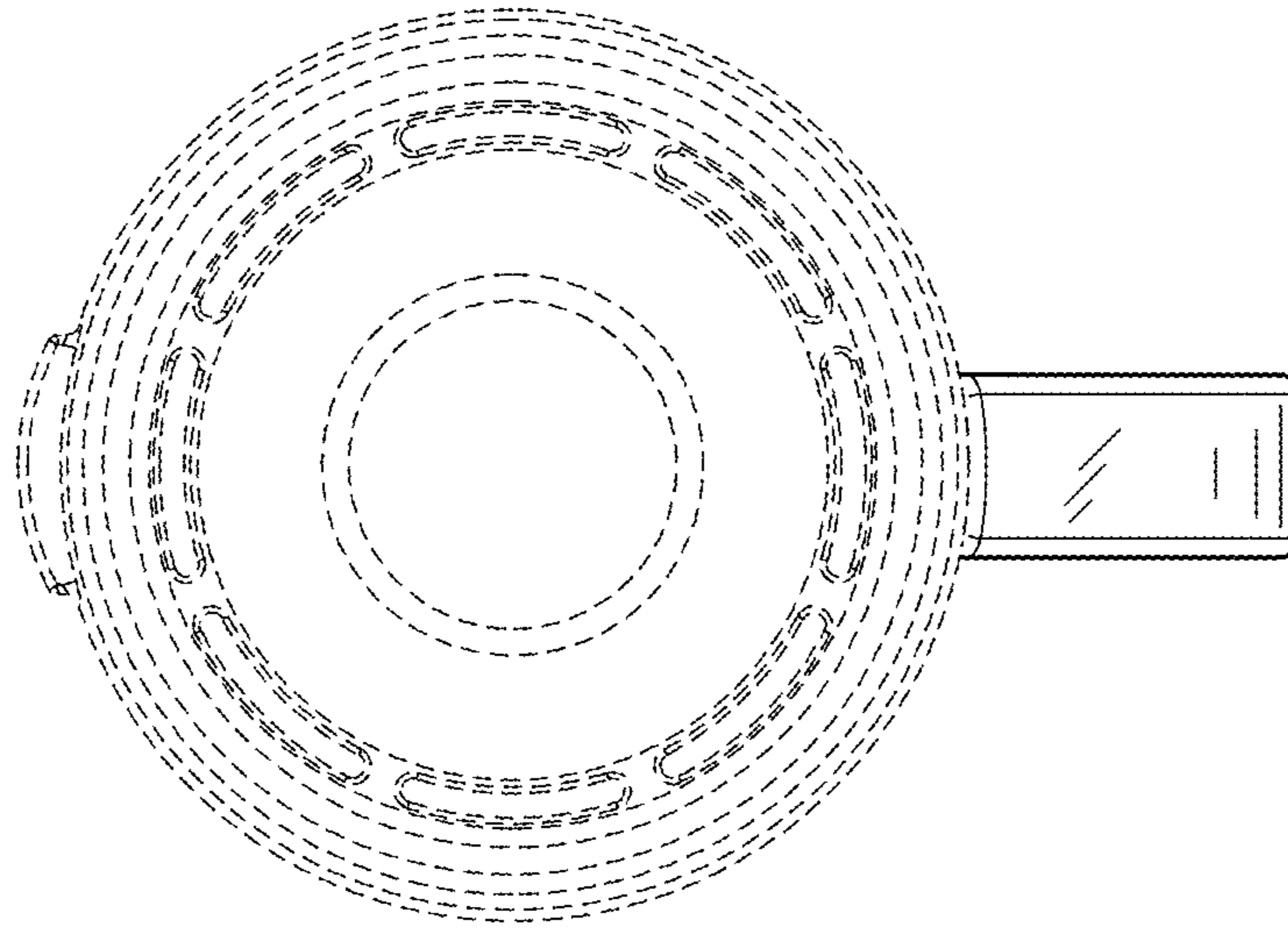


FIG. 13

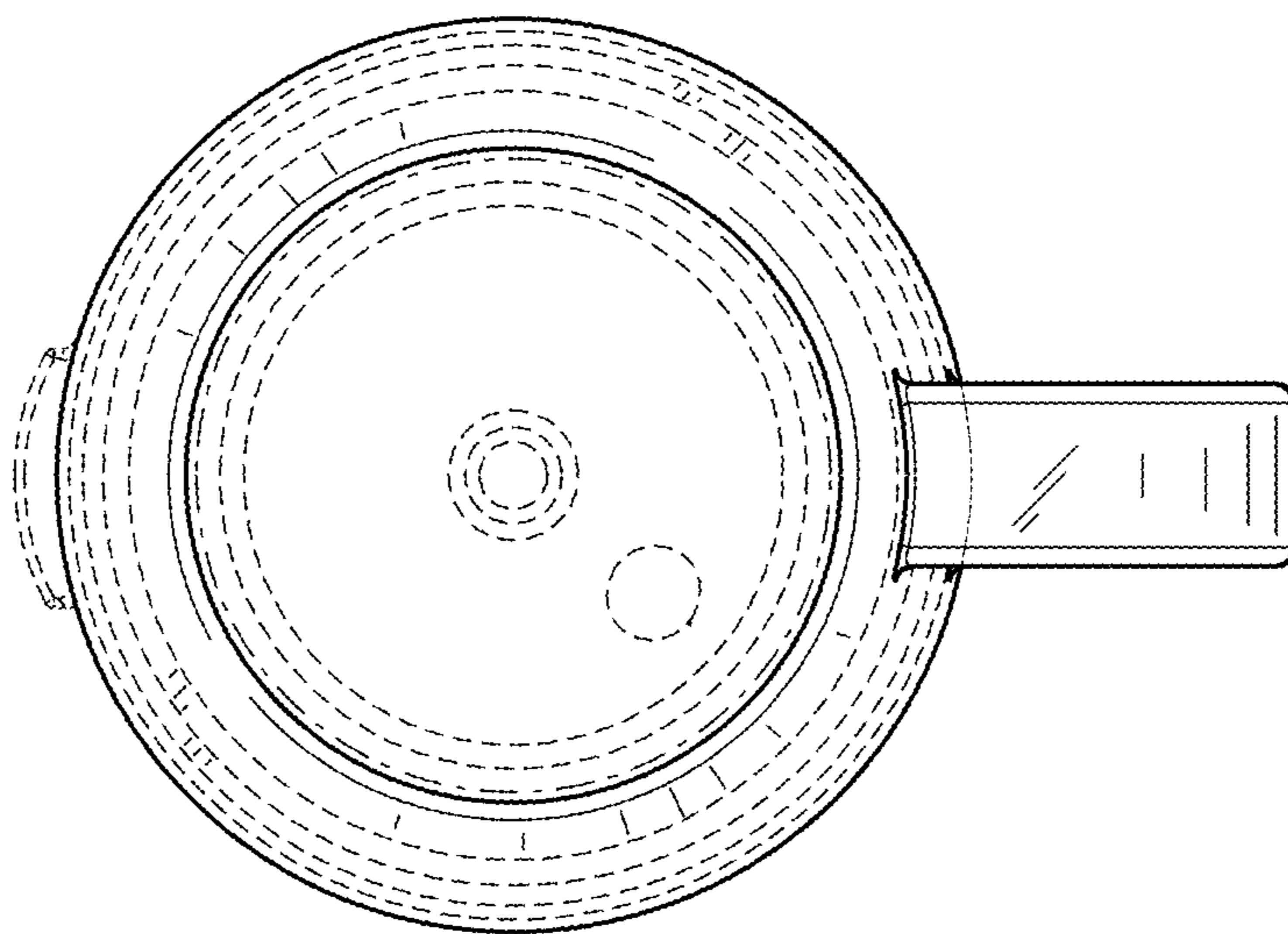


FIG. 14