



US00D827380S

(12) **United States Design Patent**  
**Tapocik**

(10) **Patent No.:** **US D827,380 S**  
(45) **Date of Patent:** **\*\* Sep. 4, 2018**

- (54) **MUG**
- (71) Applicant: **ICP Medical, LLC**, St. Louis, MO (US)
- (72) Inventor: **Bryan Tapocik**, Highland, CA (US)
- (73) Assignee: **ICP Medical, LLC**, St. Louis, MO (US)
- (\*\*) Term: **15 Years**
- (21) Appl. No.: **29/576,460**
- (22) Filed: **Sep. 2, 2016**

**Related U.S. Application Data**

- (63) Continuation-in-part of application No. 29/551,432, filed on Jan. 13, 2016.
- (51) **LOC (11) Cl.** ..... **07-01**
- (52) **U.S. Cl.**  
USPC ..... **D7/536**
- (58) **Field of Classification Search**  
USPC ..... D7/536, 509, 510, 533, 537-538, 548,  
D7/602, 629, 605, 622, 300.1, 600, 392.1;  
D9/716, 531, 435  
CPC .... B65D 43/02; B65D 85/8043; B65D 25/28;  
B65D 1/00; B65D 1/265; B67D 1/0801;  
A47G 19/22; A47G 19/2205; A47G  
19/2227; A47G 19/2288; A47G 19/2272;  
A47G 19/2266  
See application file for complete search history.

(56) **References Cited**

**U.S. PATENT DOCUMENTS**

- 4,130,215 A \* 12/1978 Corey ..... A47G 19/2205  
220/719
- D263,916 S \* 4/1982 Reece ..... D7/510
- D277,921 S \* 3/1985 Otto ..... D7/536
- D348,176 S 6/1994 Sokolski

- D351,314 S 10/1994 Sokolski
  - 5,531,353 A \* 7/1996 Ward ..... A47G 19/2227  
220/23.86
  - 5,570,797 A \* 11/1996 Yeh ..... A47G 19/2272  
215/228
  - 6,050,443 A \* 4/2000 Tung ..... A47G 19/2227  
215/12.1
  - D428,306 S \* 7/2000 Lee ..... D7/510
  - D444,032 S \* 6/2001 Isaacs ..... D7/510
  - D517,371 S 3/2006 Bielawski
  - D530,852 S \* 10/2006 Zheng ..... D27/148
  - D572,974 S 7/2008 Tyler et al.
- (Continued)

**OTHER PUBLICATIONS**

Pitcher/Mug/Graduated, Posted © 2012 [Online], Retrieved May 9, 2018, Retrieved From Internet, <<https://www.clockmedical.com/itemdetail/6481>>.\*

(Continued)

*Primary Examiner* — Barbara Fox  
*Assistant Examiner* — Messina L Smith  
(74) *Attorney, Agent, or Firm* — Luedeka Neely Group, P.C.

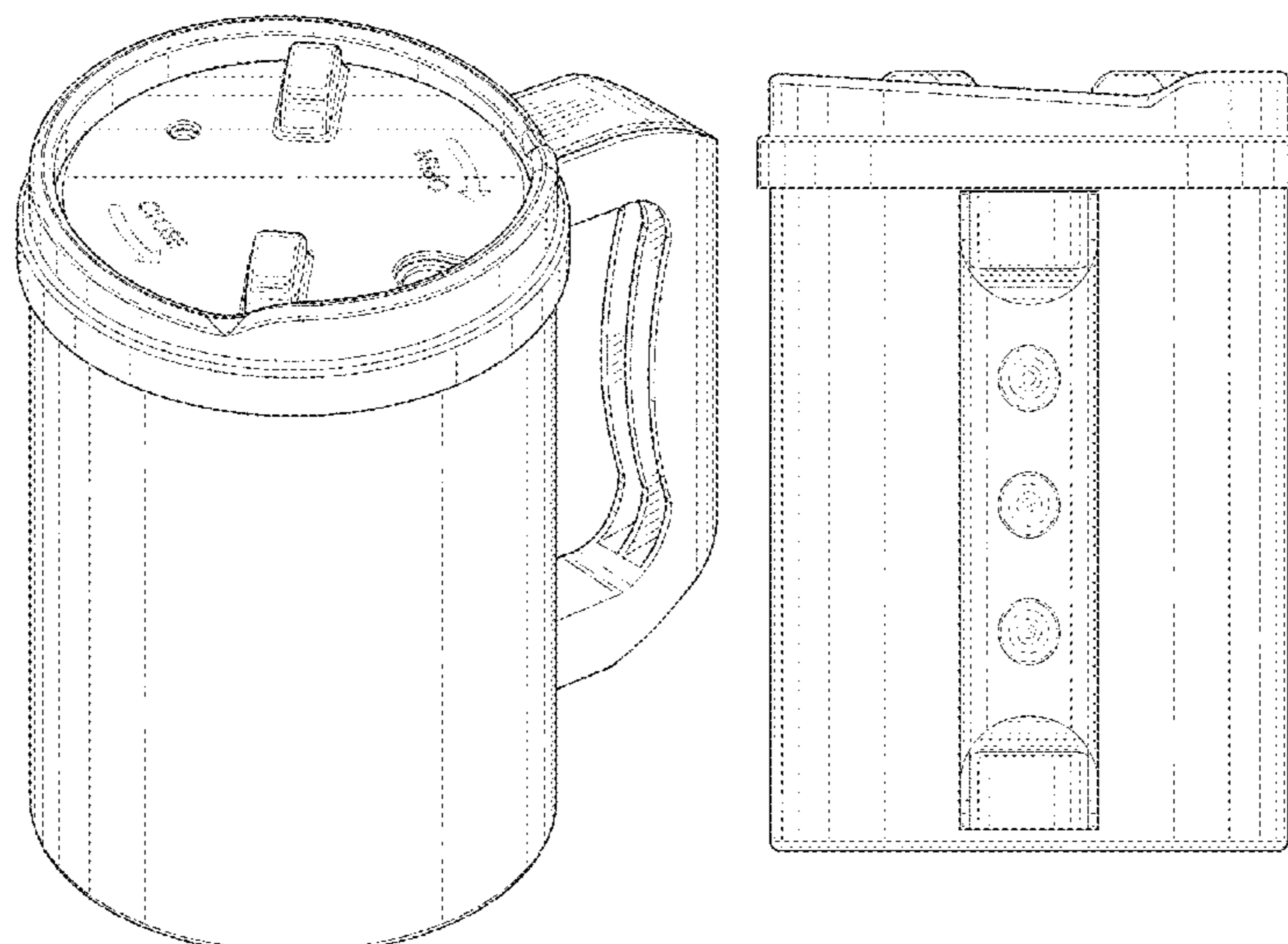
(57) **CLAIM**

The ornamental design for a mug, as shown and described.

**DESCRIPTION**

FIG. 1 is a perspective view of a mug of my new design. FIG. 2 is a first side elevation view of the mug of FIG. 1. FIG. 3 is a second side elevation view of the mug of FIG. 1. FIG. 4 is a rear elevation view of the mug of FIG. 1. FIG. 5 is a front elevation view of the mug of FIG. 1. FIG. 6 is a top plan view of the mug of FIG. 1; and, FIG. 7 is a bottom plan view of the mug of FIG. 1. The broken lines in the drawings depict portions of the mug and form no part of the claimed design.

**1 Claim, 6 Drawing Sheets**



(56)

**References Cited**

U.S. PATENT DOCUMENTS

D608,140 S \* 1/2010 Gilbert ..... D7/392.1  
D619,419 S 7/2010 McClellan et al.  
D656,361 S \* 3/2012 Gilbert ..... D7/533  
D659,474 S \* 5/2012 Wahl ..... D7/510  
D675,063 S \* 1/2013 Wahl ..... D7/510  
D692,756 S 11/2013 McClellan et al.  
D757,499 S \* 5/2016 Arseneau ..... D7/533  
9,585,502 B2 \* 3/2017 Kang ..... A47G 19/2205  
D813,608 S \* 3/2018 Spivey ..... D7/536  
D814,243 S \* 4/2018 Pape ..... D7/536  
D815,907 S \* 4/2018 Yao ..... D7/511  
2017/0349331 A1 \* 12/2017 Choltco-Devlin .....  
B65D 25/2817

OTHER PUBLICATIONS

20 Oz. Medical Tumbler With Measurements, Posted © 2003-2018  
[Online], Retrieved May 9, 2018, Retrieved From Internet, <<https://www.inkhead.com/20-oz-medical-tumbler-with-measurements/38844/>>.\*

\* cited by examiner

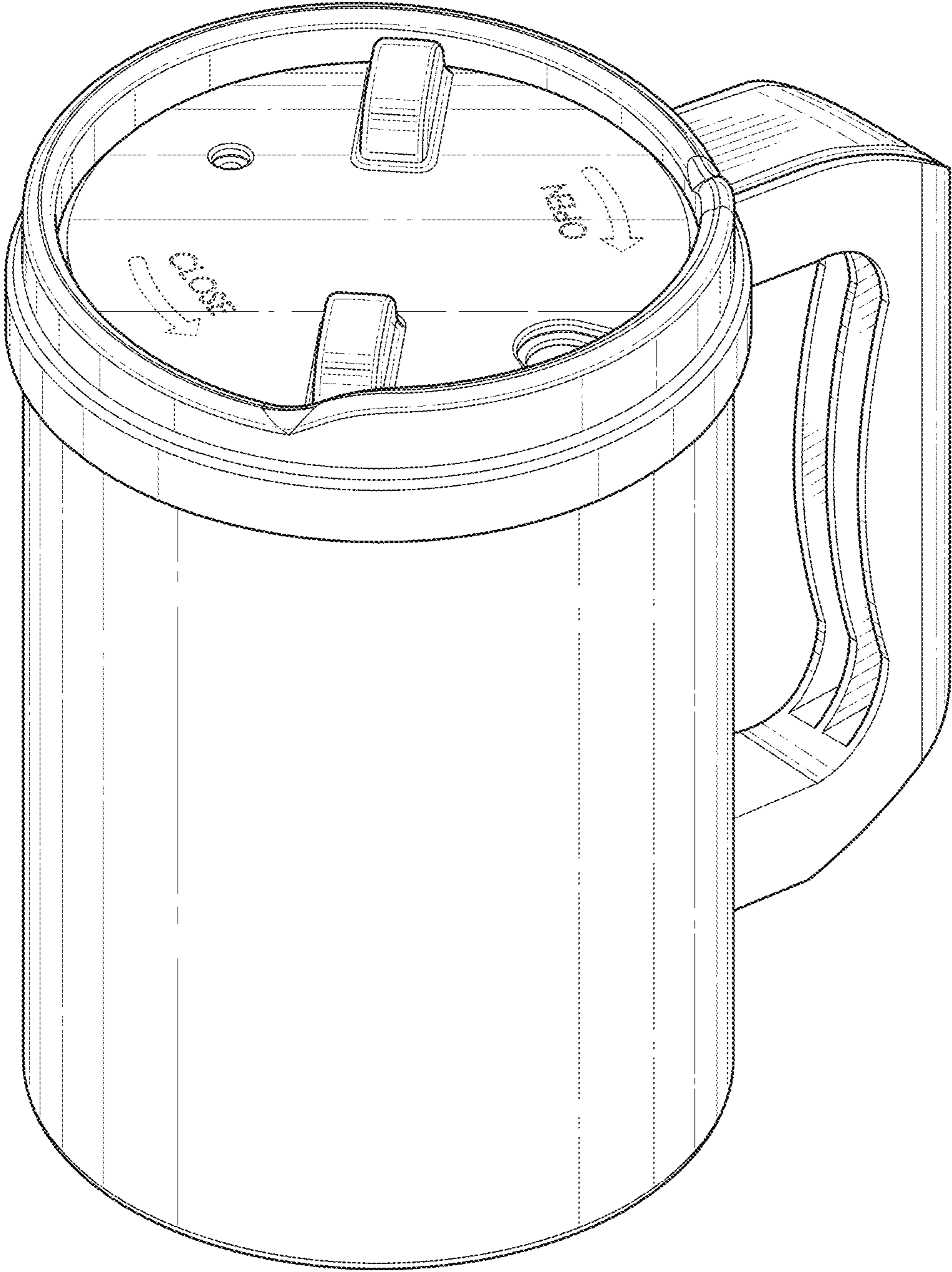


FIG. 1

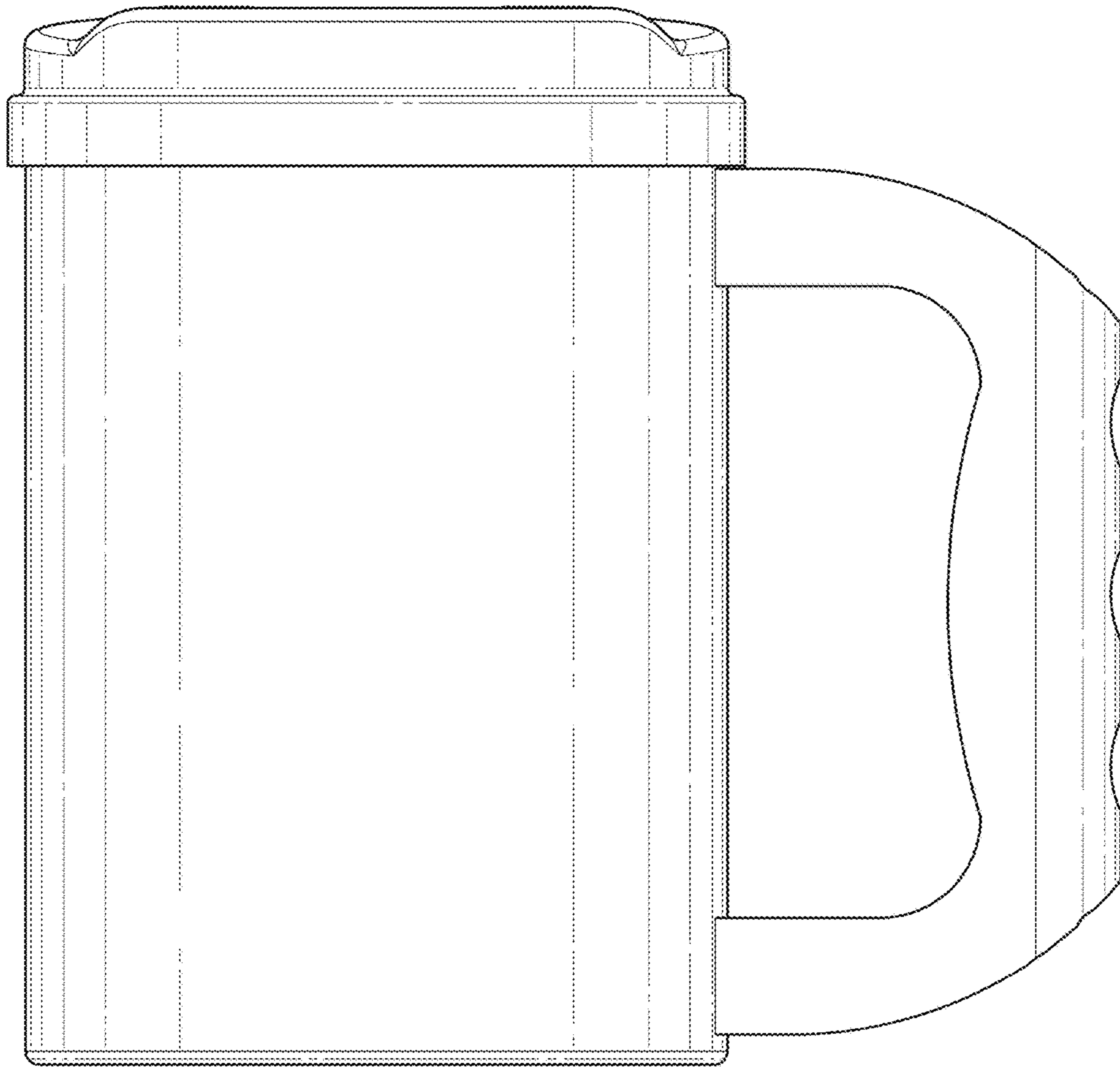


FIG. 2

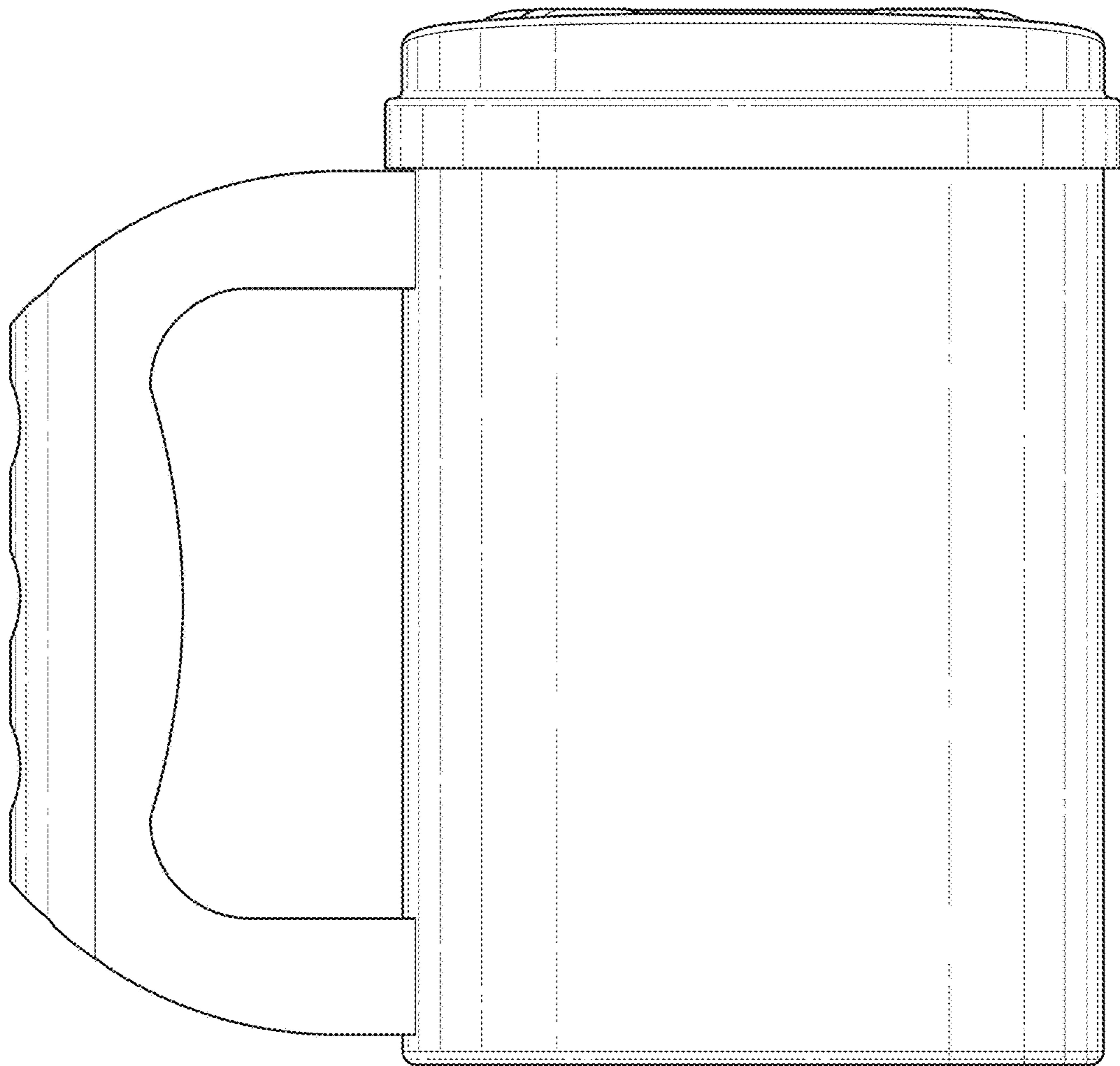


FIG. 3

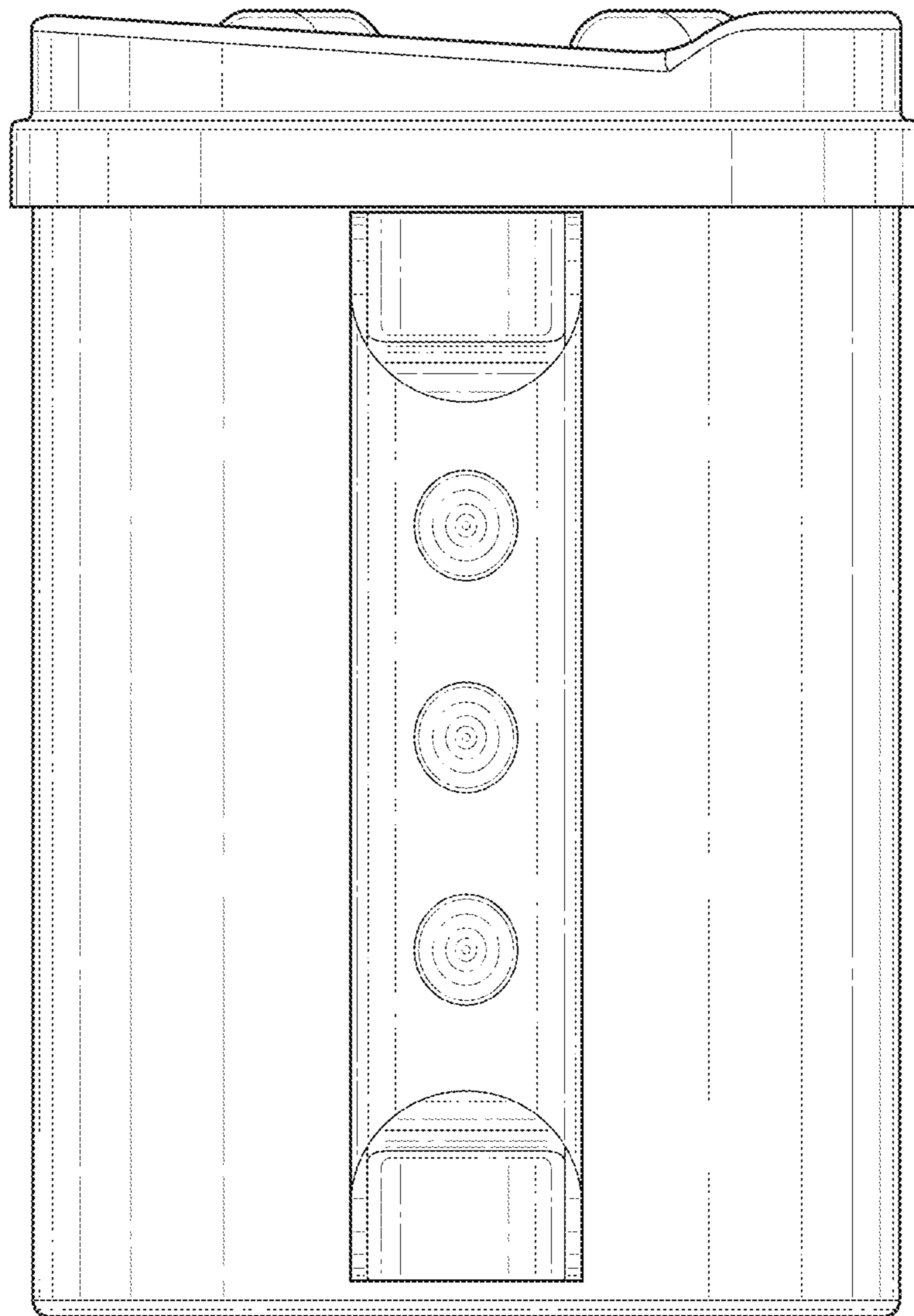


FIG. 4

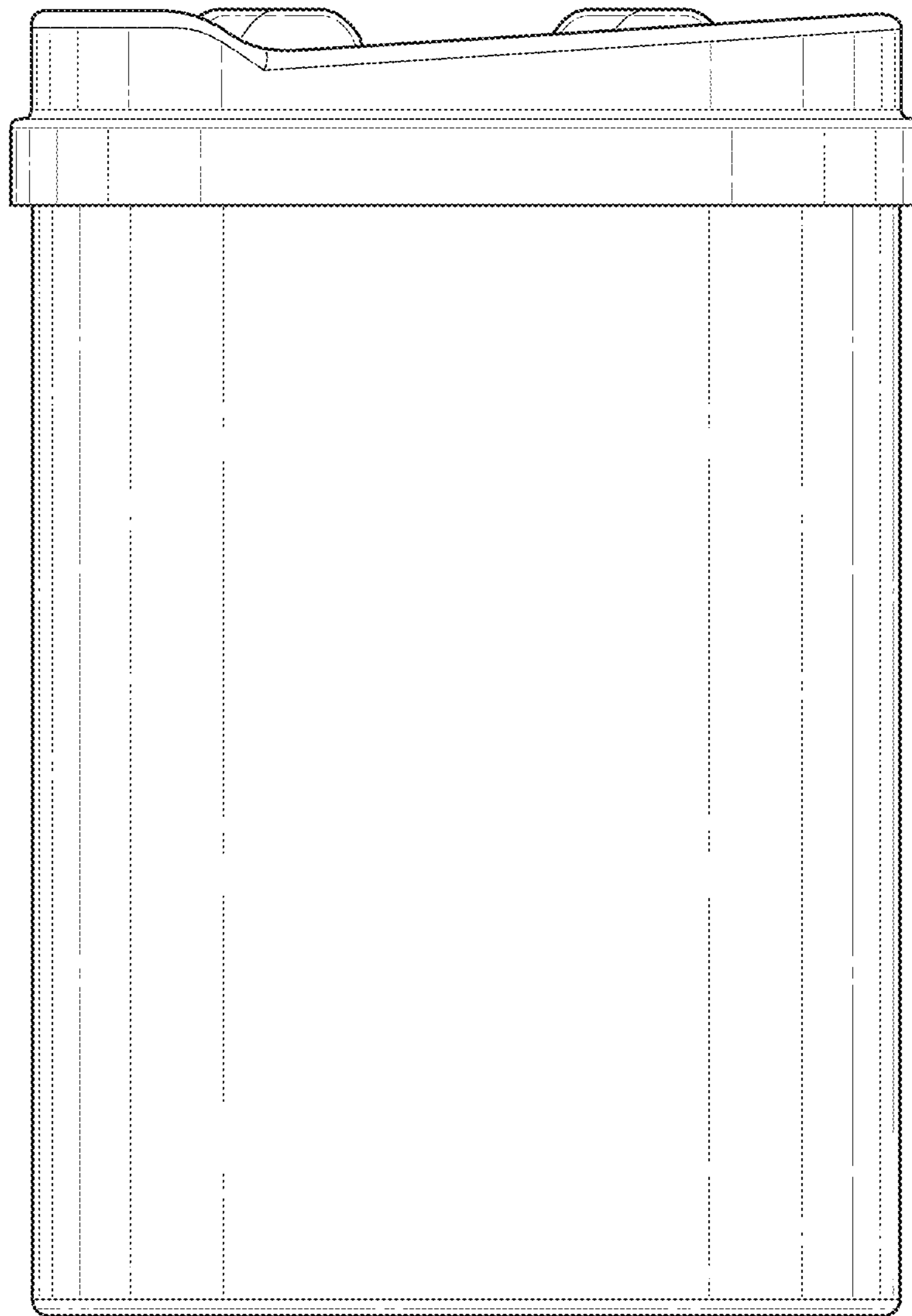


FIG. 5

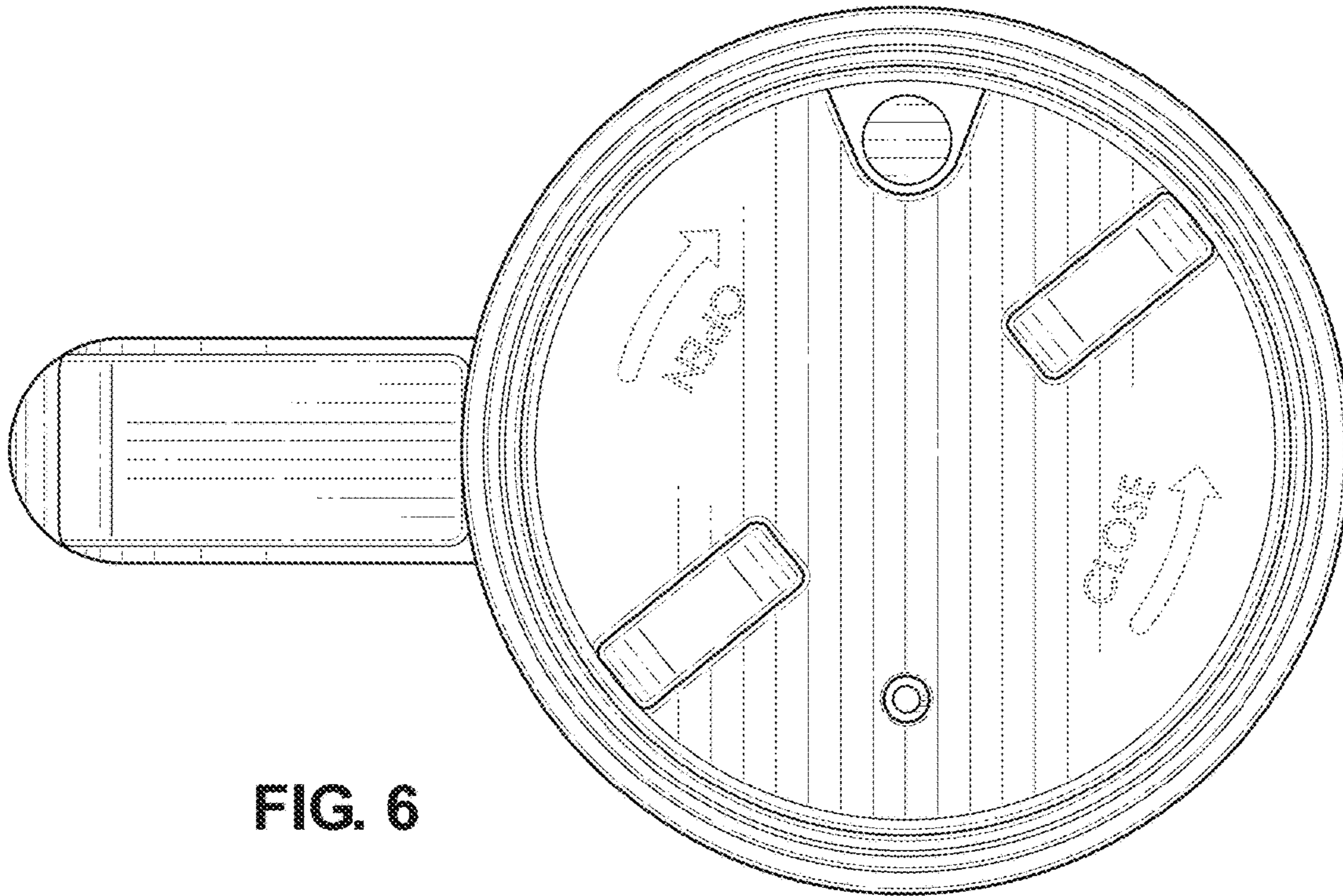


FIG. 6

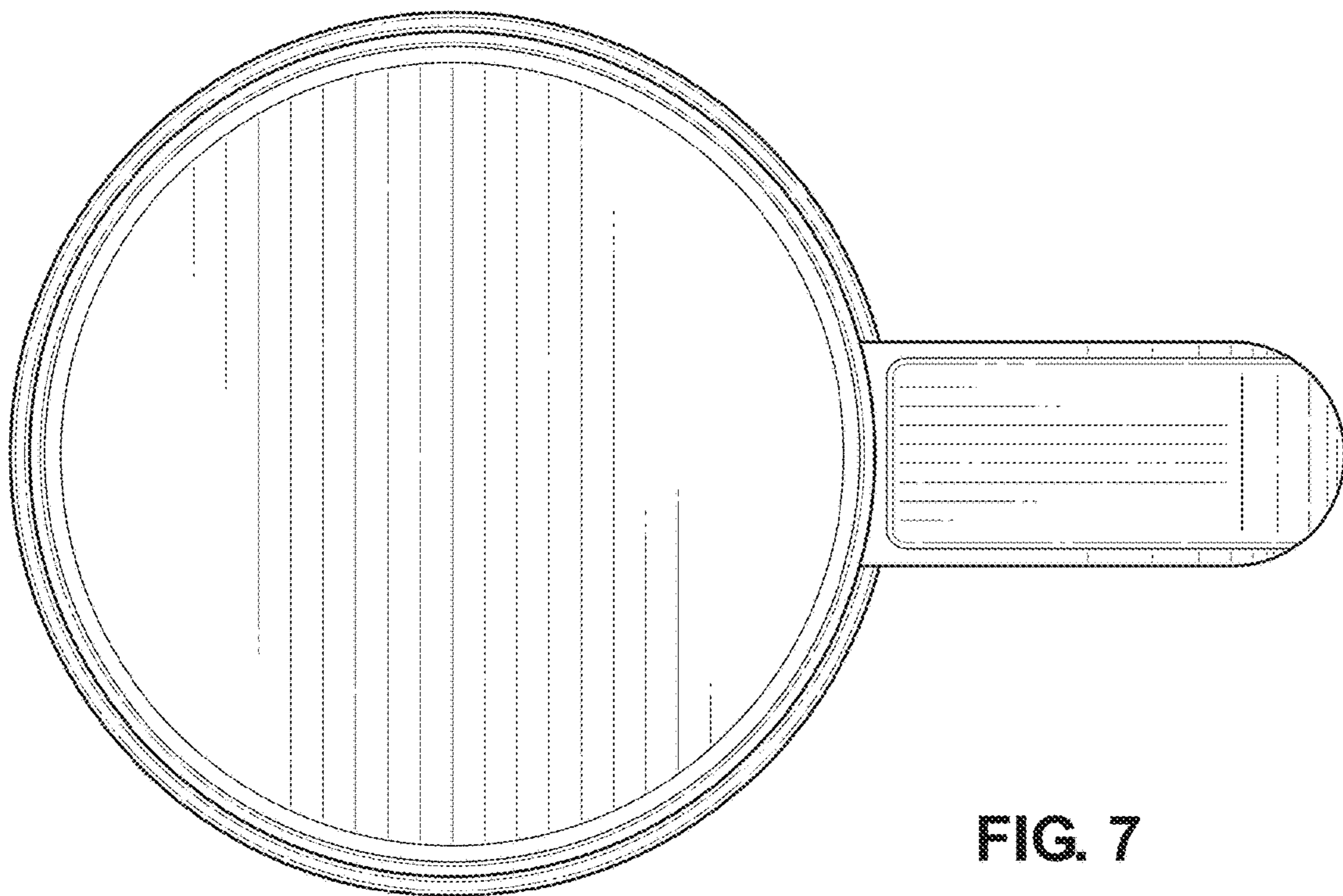


FIG. 7