



US00D827379S

(12) **United States Design Patent** (10) **Patent No.:** **US D827,379 S**  
**Mulhauser et al.** (45) **Date of Patent:** **\*\* Sep. 4, 2018**

(54) **TUMBLER**  
(71) Applicant: **Silver Buffalo, LLC**, New York, NY (US)  
(72) Inventors: **Paul Mulhauser**, New York, NY (US);  
**Lyndon Treacy**, Brooklyn, NY (US);  
**Eric Silver**, New York, NY (US)  
(73) Assignee: **The Boeing Company**, Chicago, IL (US)

5,769,266 A 6/1998 Willbrandt  
D403,555 S \* 1/1999 Burns ..... D7/509  
5,860,557 A 6/1999 Willbrandt  
D436,802 S \* 1/2001 Kaposi ..... D7/510  
D438,757 S \* 3/2001 Joergensen ..... D7/510  
D439,473 S 3/2001 Lin  
6,216,909 B1 4/2001 Lin  
D469,658 S \* 2/2003 Norris ..... D7/510  
D476,193 S 6/2003 Janky  
D478,779 S \* 8/2003 Stamper, III ..... D7/510  
D482,238 S 11/2003 Lin  
D483,995 S \* 12/2003 Otake ..... D7/523  
D488,672 S 4/2004 Oas

(\*\*) Term: **15 Years**

(Continued)

(21) Appl. No.: **29/605,230**  
(22) Filed: **May 24, 2017**  
(51) **LOC (11) Cl.** ..... **07-01**  
(52) **U.S. Cl.**  
USPC ..... **D7/523**; D7/531; D7/532  
(58) **Field of Classification Search**  
USPC ..... D7/507, 509, 510, 511, 523, 529, 531,  
D7/532, 533, 535, 536, 508, 392.1, 396.2,  
D7/387, 543, 608; D8/33, 34;  
220/592.16, 592.17, 295.03, 718, 719,  
220/495.03, 62.12, 710.5; D9/517, 567,  
D9/554, 555, 558, 503, 504, 552, 540,  
D9/454  
CPC .. B25B 13/52; B67B 7/00; B67B 7/14; B67B  
7/16; A47G 19/22; A47G 19/2227; A45F  
3/20  
See application file for complete search history.

OTHER PUBLICATIONS

YETI 30 oz. Rambler Tumbler Cup, printed from www.dickssportinggoods.com on Apr. 13, 2016.

(Continued)

*Primary Examiner* — Marianne Pandozzi  
*Assistant Examiner* — Jae Liang  
(74) *Attorney, Agent, or Firm* — Ostrager Chong Flaherty & Broitman PC

(57) **CLAIM**

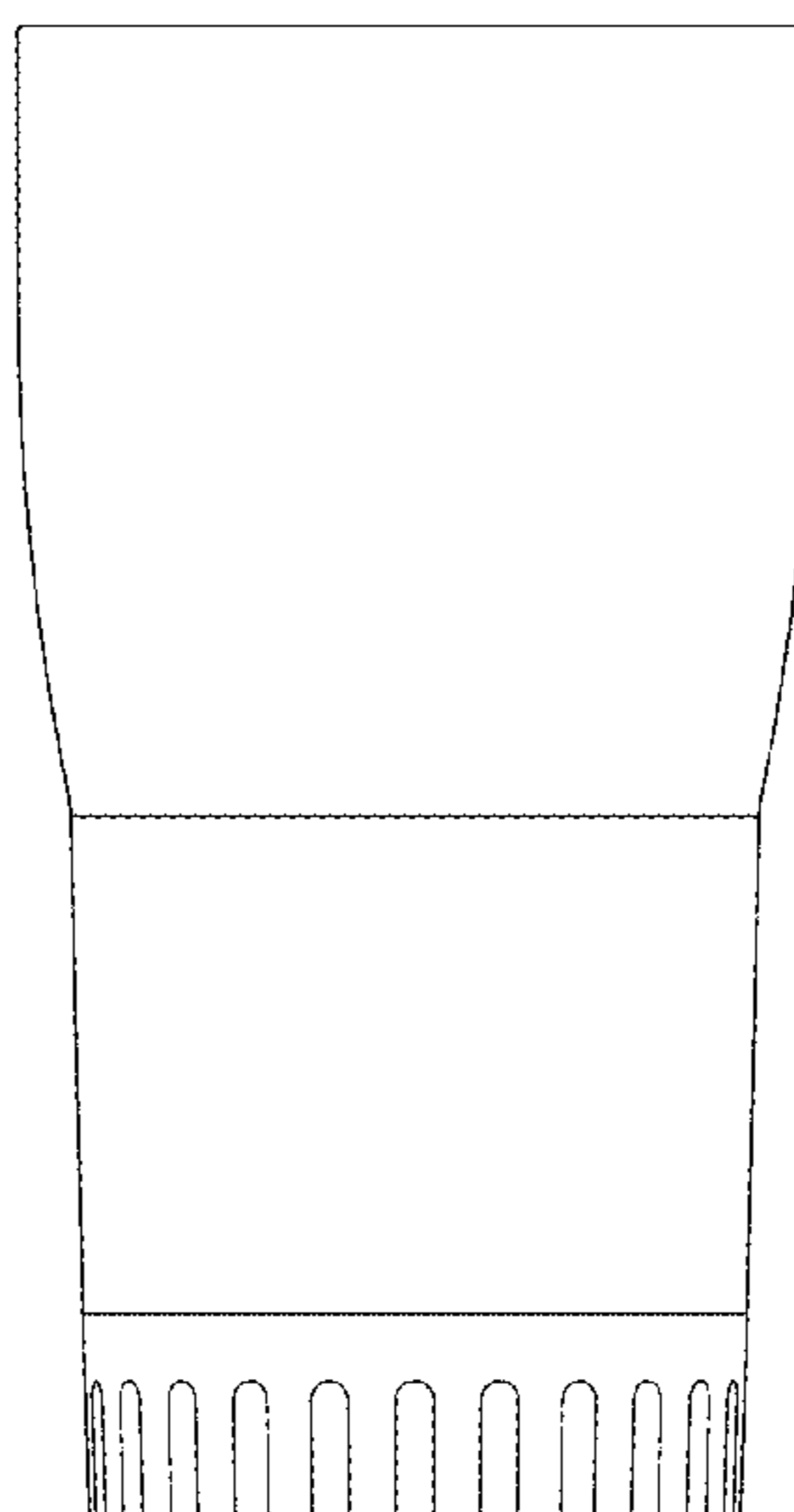
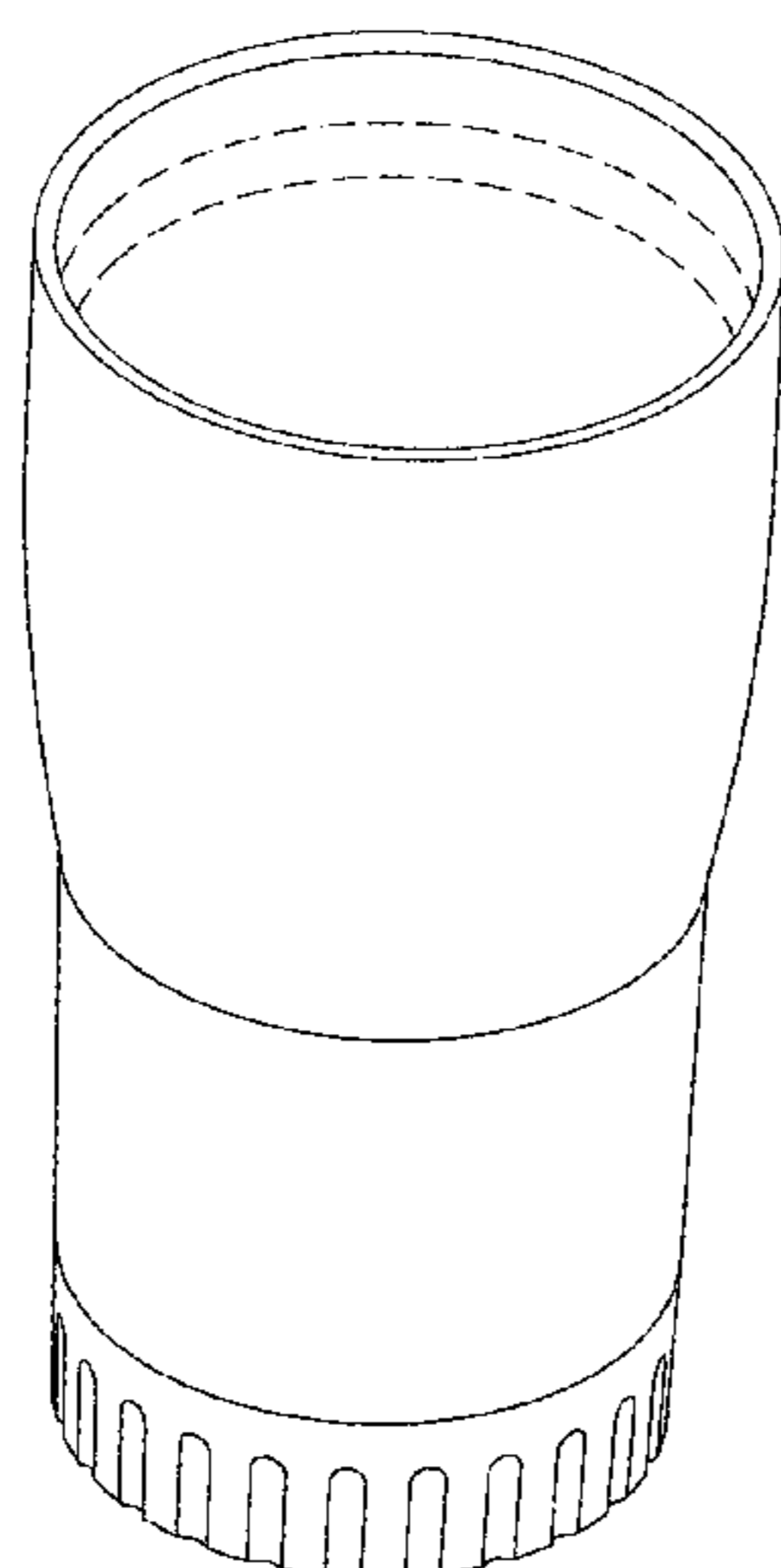
We claim the ornamental design for a tumbler, as shown and described.

**DESCRIPTION**

FIG. 1 is a top, front and right side perspective view of a tumbler showing our new design;  
FIG. 2 is a top view thereof;  
FIG. 3 is a side view thereof, all side views being the same;  
FIG. 4 is a bottom view thereof; and,  
FIG. 5 is an enlarged sectional view thereof taken along the line 5-5 in FIG. 4.  
The broken lines in the drawings depict portions of the tumbler that form no part of the claimed design.

**1 Claim, 3 Drawing Sheets**

(56) **References Cited**  
U.S. PATENT DOCUMENTS  
D322,218 S \* 12/1991 Lynd ..... D7/511  
5,427,269 A 6/1995 Willbrandt  
5,433,337 A 7/1995 Willbrandt  
5,449,089 A 9/1995 Turner  
D376,071 S \* 12/1996 Ballin ..... D7/509  
D394,187 S \* 5/1998 Orrico ..... D7/509



(56)

References Cited

U.S. PATENT DOCUMENTS

6,718,664	B2	4/2004	Williams	
D489,574	S	5/2004	Copeland	
D491,021	S *	6/2004	Webb .....	D7/523
D494,010	S *	8/2004	Yuen .....	D7/511
D508,186	S	8/2005	Edelstein	
D519,784	S *	5/2006	Karp .....	D7/396.2
D525,082	S	7/2006	Copeland	
D528,861	S	9/2006	Herrera	
D528,862	S	9/2006	Li	
D530,154	S	10/2006	Zerillo et al.	
D545,624	S	7/2007	Tien	
D547,610	S	7/2007	Edelstein	
D548,012	S	8/2007	Tien	
D560,435	S	1/2008	Meehan	
D565,901	S	4/2008	Edelstein	
D570,213	S	6/2008	Newman	
D573,840	S *	7/2008	Kramer .....	D7/523
D600,073	S *	9/2009	Carreno .....	D7/509
D648,599	S	11/2011	Watanabe et al.	
D686,454	S	7/2013	Roth	
D696,586	S	12/2013	Huang	
D698,200	S	1/2014	Lauwagie	
D719,408	S *	12/2014	Weber .....	D7/523
D745,324	S	12/2015	Malaspino	
D766,029	S *	9/2016	Lin .....	D7/300.1
D791,543	S *	7/2017	Mulhauser .....	D7/510
D804,909	S *	12/2017	Cotnoir .....	D7/529
D811,817	S *	3/2018	Harrington, III .....	D7/510
D819,406	S *	6/2018	Rivera .....	D7/532
2007/0114236	A1	5/2007	Shiffer et al.	
2013/0213978	A1	8/2013	Libourel	
2014/0124470	A1 *	5/2014	Alberts .....	A47G 19/2288 215/12.1

OTHER PUBLICATIONS

22 oz. Translucent Water Bottles, printed from [www.promosmall.com](http://www.promosmall.com) on Sep. 24, 2015.

32 oz. Coca-Cola(R) Cup with Disposable Lid, printed from [www.anything4restaurants.com/product/32-oz-coca-cola-cup-with-disposable-lid-235683.html](http://www.anything4restaurants.com/product/32-oz-coca-cola-cup-with-disposable-lid-235683.html) on Sep. 24, 2015.

32 oz. Water Bottle Has Bubble Texture at Base, easy to grip and fits in cup holder, printed from [www.promosmall.com/wholesale/](http://www.promosmall.com/wholesale/) on Sep. 24, 2015.

Dart 32AJ20E 32-Ounce Flush Fill Capacity 7.1 Inch Height Impulse Stock Printed Pedestal Faom Cup 25-Pack, printed from [www.amazon.com/Dart-32AJ20E-32-Ounce-Capacity-Pedestal/dp/B004NG8AMW](http://www.amazon.com/Dart-32AJ20E-32-Ounce-Capacity-Pedestal/dp/B004NG8AMW) on Sep. 24, 2015.

Solo PRG32W-JD477 Reveal Polypropylene Plastic Cold Cup, 32 oz Capacity, Drink/Icy/Chill, printed from [www.amazon.com/Solo-PRG32W-JD477-Polypropylene-Plastic-Capacity/dp/B00A0Q827M](http://www.amazon.com/Solo-PRG32W-JD477-Polypropylene-Plastic-Capacity/dp/B00A0Q827M) on Sep. 24, 2015.

Iconiq(R) Tumblers printed from <https://iconiqbottle.com/collections/stainless-steel-tumblers> on Apr. 13, 2015.

Boss 20 oz. Stainless Steel Travel Tumbler, printed from [www.imprintitems.com/custom/101273162](http://www.imprintitems.com/custom/101273162) on Jan. 16, 2016.

CafeCup Holder Friendly 16 oz. mug with double wall insulation, printed from [www.promosmall.com/wholesale/](http://www.promosmall.com/wholesale/) on Sep. 24, 2015.

Car Stainless Steel Insulated 16 oz. travel mug, fits most car cup holders, printed from [www.promosmall.com/wholesale/](http://www.promosmall.com/wholesale/) on Sep. 24, 2015.

32 oz. Smooth Plastic Cups, printed from [www.minithrowballs.com/smooth-plastic-cups-p-253.html](http://www.minithrowballs.com/smooth-plastic-cups-p-253.html) on Sep. 24, 2015.

Dart Solo clear plastic cup, printed from [www.gotowebstore.com/30132AC](http://www.gotowebstore.com/30132AC) on Sep. 24, 2015.

Drink Cups, Airlite Plastics—Since 1946, printed from [www.airliteplastics.com/products/drink-cups/](http://www.airliteplastics.com/products/drink-cups/) on Sep. 24, 2015.

Gran Touring—Easy grip handle mug, fits most cup holders printed from [www.promosmall.com/wholesale/](http://www.promosmall.com/wholesale/) on Sep. 14, 2015.

Insulated Mug 32 oz Whirley Cup Stripes Double Wall Travel Truck Stop Refills printed from [www.ebay.com/itm/Insulated-Mug-32-oz-Whirley-Cup-STRIPES-Double-Wall-Travel-Truck-Stop-Refills4160996881401](http://www.ebay.com/itm/Insulated-Mug-32-oz-Whirley-Cup-STRIPES-Double-Wall-Travel-Truck-Stop-Refills4160996881401) on Sep. 24, 2015.

Klean Kanteen: Stainless Steel Vacuum Insulated Tumbler and Cup printed from [www.kleankanteen.com/products/insulated-steel-pint-cup-16-oz?varieant=860278955](http://www.kleankanteen.com/products/insulated-steel-pint-cup-16-oz?varieant=860278955) on Jan. 16, 2016.

Magnum Steel 20 oz. Tumbler, printed from [www.amazon.com/dp/B019UPELFA?psc=1](http://www.amazon.com/dp/B019UPELFA?psc=1) on Jan. 16, 2016.

Oakland Athletics Mugs, printed from [www.kohls.com/shop/oakland-athletics-mug.jsp](http://www.kohls.com/shop/oakland-athletics-mug.jsp) on Apr. 13, 2016.

ORCA 27 oz. Chaser Hot or Cold Tumbler, printed from [www.walmart.com](http://www.walmart.com) on Mar. 14, 2016.

Stainless Steel Insulated Double Wall Travel Coffee Mug Cup with Car Charger, printed from [www.ebay.com/itm/Stainless-Steel-Insulated-Double-Wall-Travel-Coffee-Mug-Cup-w-Car-Adapter-16-oz-/281361760530](http://www.ebay.com/itm/Stainless-Steel-Insulated-Double-Wall-Travel-Coffee-Mug-Cup-w-Car-Adapter-16-oz-/281361760530) on Sep. 24, 2015.

Commit to Get Fit Tumbler Cups, printed from [www.yorhealth.com/products/accessories/Yor-commit-to-get-fit-cups.aspx?localetype=1033](http://www.yorhealth.com/products/accessories/Yor-commit-to-get-fit-cups.aspx?localetype=1033) on Sep. 24, 2015.

\* cited by examiner

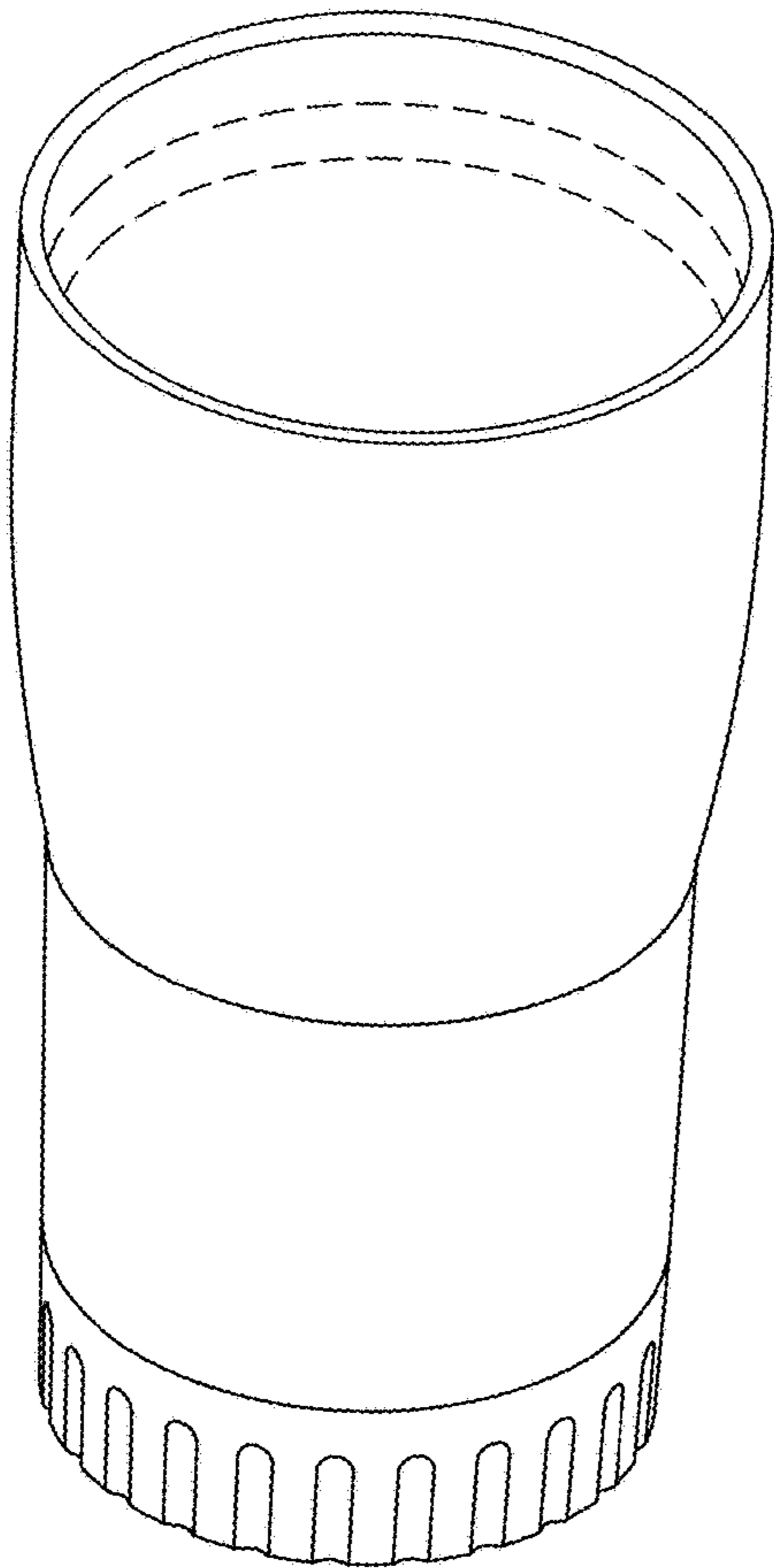


FIG. 1

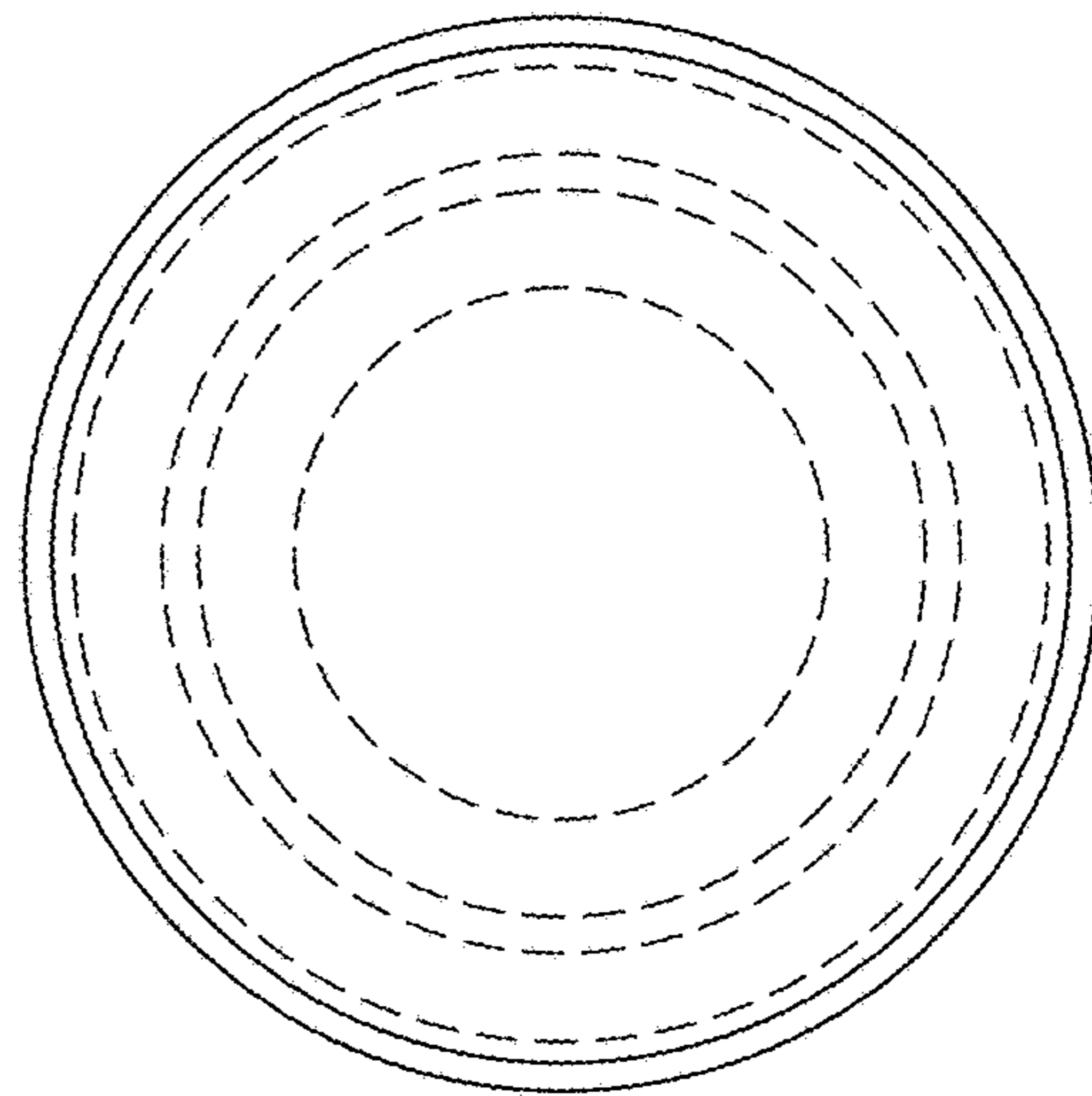


FIG. 2

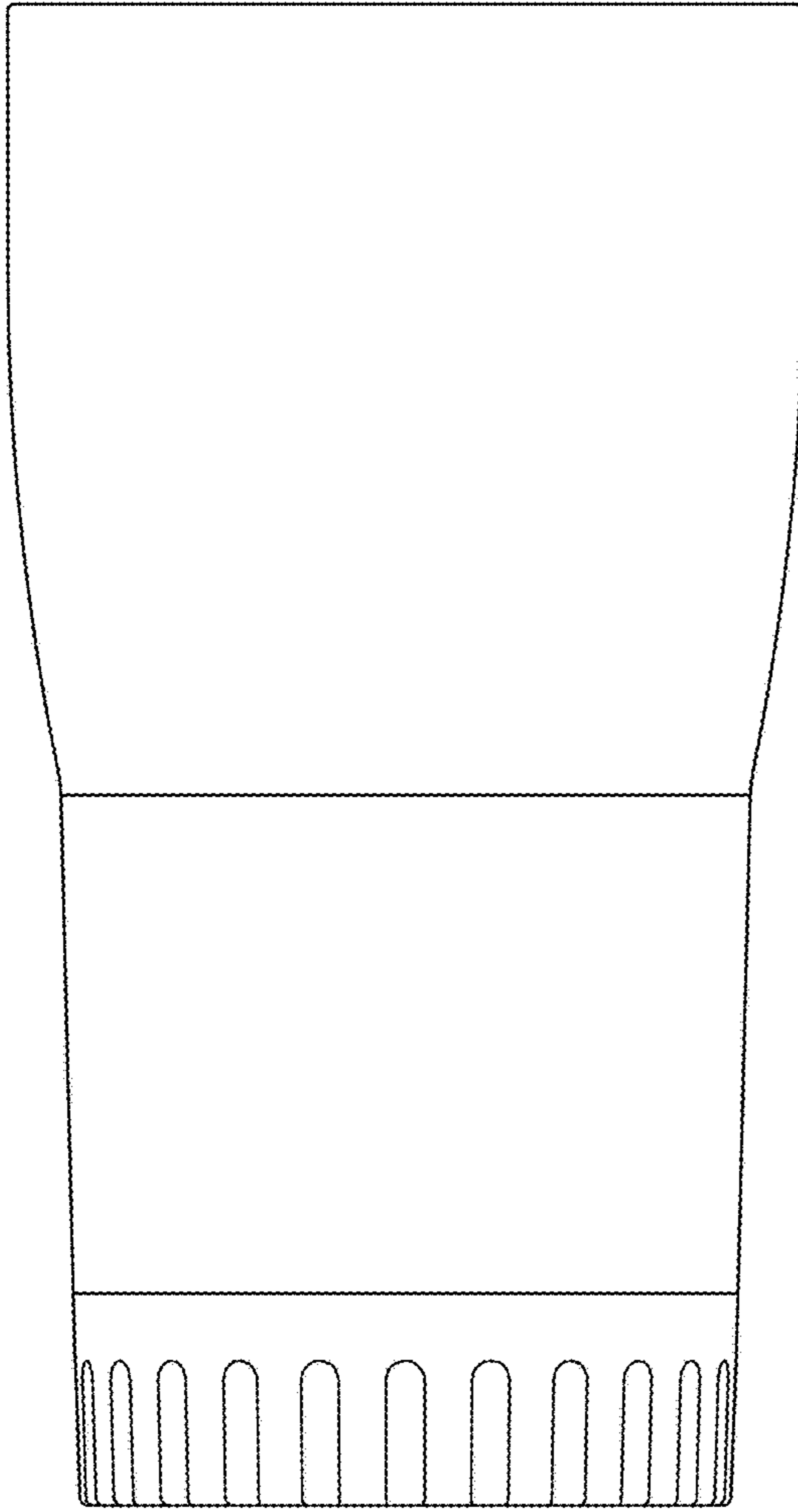


FIG. 3

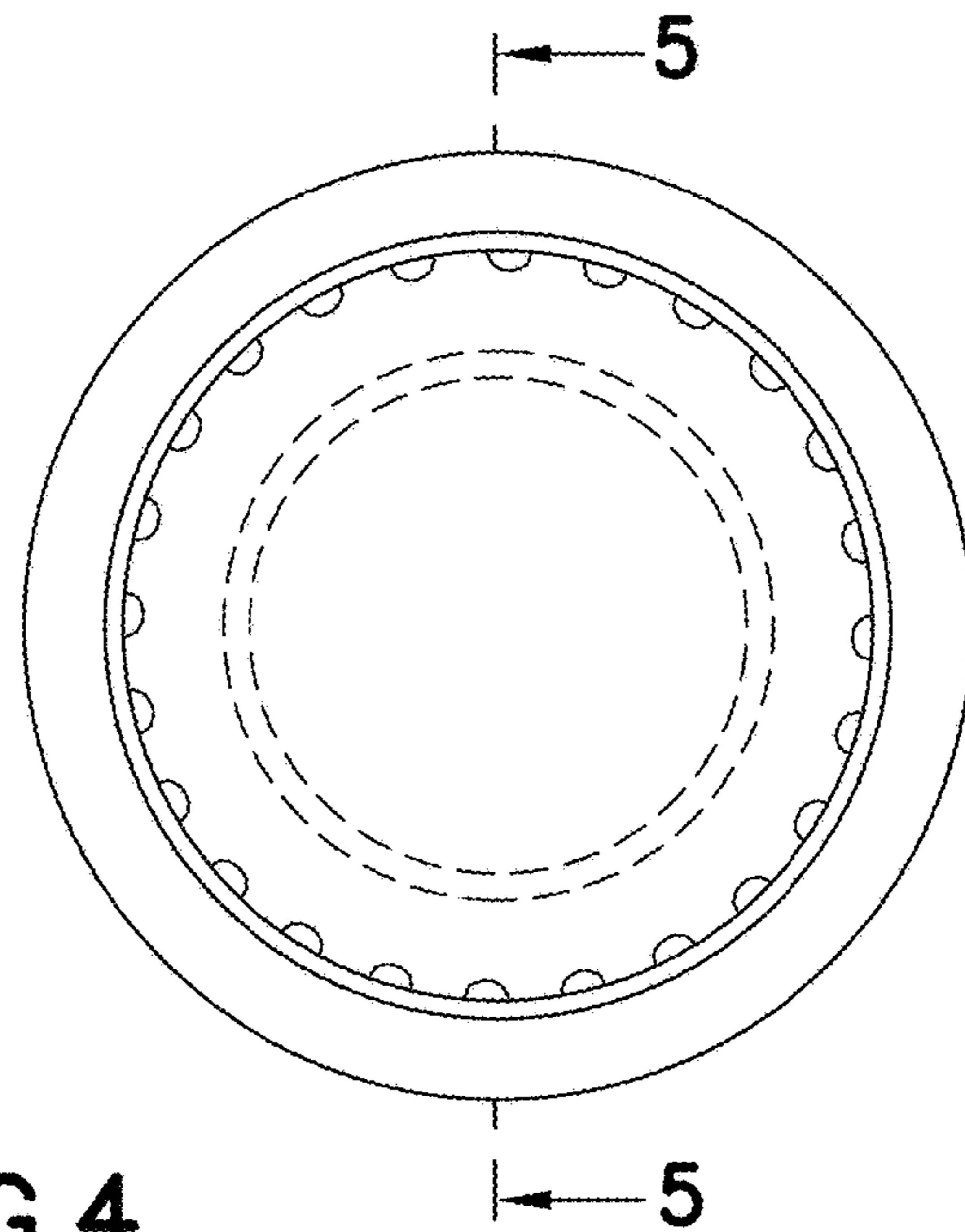


FIG. 4

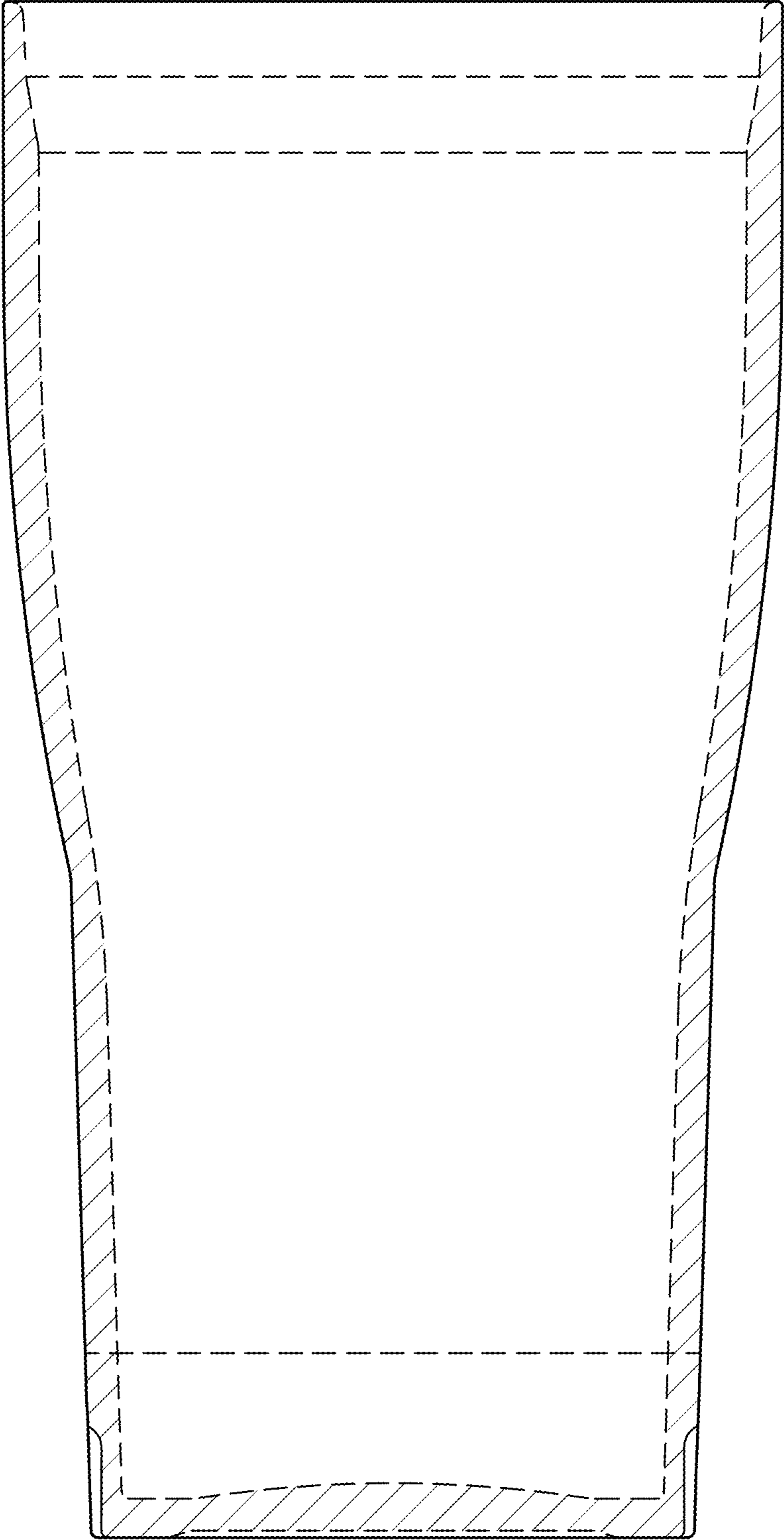


FIG.5

UNITED STATES PATENT AND TRADEMARK OFFICE  
**CERTIFICATE OF CORRECTION**

PATENT NO. : D827,379 S  
APPLICATION NO. : 29/605230  
DATED : September 4, 2018  
INVENTOR(S) : Paul Mulhauser et al.

Page 1 of 1

It is certified that error appears in the above-identified patent and that said Letters Patent is hereby corrected as shown below:

On the Title Page

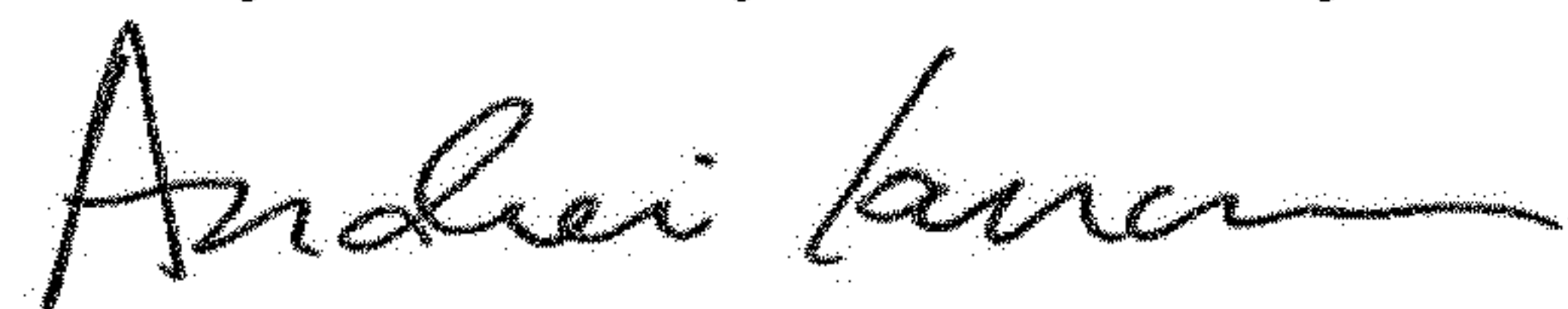
In “(73) Assignee:” delete:

“The Boeing Company, Chicago, IL”

And insert:

--Silver Buffalo, LLC, New York, NY--.

Signed and Sealed this  
Twenty-sixth Day of February, 2019



Andrei Iancu  
*Director of the United States Patent and Trademark Office*