



US00D827375S

(12) **United States Design Patent** (10) **Patent No.:** **US D827,375 S**
Wu et al. (45) **Date of Patent:** **** Sep. 4, 2018**

(54) **GRILL PAN**

(71) Applicant: **Tsann Kuen (Zhangzhou) Enterprise Co., Ltd., Zhangzhou (CN)**

(72) Inventors: **Linzhe Wu, Zhangzhou (CN); Chunyu Wu, Zhangzhou (CN)**

(73) Assignee: **Tsann Kuen (Zhangzhou) Enterprise Co., Ltd., Zhangzhou (CN)**

(**) Term: **15 Years**

(21) Appl. No.: **29/619,390**

(22) Filed: **Sep. 28, 2017**

(30) **Foreign Application Priority Data**

Apr. 14, 2017 (CN) 2017 3 0124530

(51) **LOC (11) Cl.** **07-02**

(52) **U.S. Cl.**
USPC **D7/410; D7/352; D7/409**

(58) **Field of Classification Search**
USPC D7/323, 332, 335-337, 354-355, D7/359-364, 387-388, 402, 407-410
CPC A21B 2/00; A21B 3/00; A21B 3/13; A21B 3/15; A21B 5/00; A21B 5/02; A21B 5/023; A23N 12/06; A23N 12/08; A23N 12/10; A47J 37/00; A47J 37/04; A47J 37/041; A47J 37/042; A47J 37/06; A47J 37/0611; A47J 37/0688; A47J 37/0694; A47J 37/07; A47J 37/0704; A47J 37/10; A47J 47/20; A47J 2037/00; A47J 2037/06; A47J 2037/0611; A47J 2037/07; A47J 2037/0786; A47J 2037/0795; F24C 15/10; F24C 15/12; F24C 15/14; F24C 15/16; F24C 15/164; F24C 15/18

See application file for complete search history.

(56) **References Cited**

U.S. PATENT DOCUMENTS

1,493,444	A *	5/1924	Burch	A47J 37/0611 99/375
2,023,791	A *	12/1935	Samuels	A47J 37/0611 99/373
2,476,213	A *	7/1949	O'Connor	A47J 37/0611 99/340
2,655,687	A *	10/1953	Miller	A47J 37/0611 16/371
2,743,665	A *	5/1956	Gustafson	A47J 37/0611 99/331
3,799,047	A *	3/1974	Freeman	A47J 37/0611 99/332
5,937,742	A *	8/1999	Steeb	A47J 37/0611 99/375
6,555,795	B2 *	4/2003	Glucksman	A47J 37/0611 219/450.1
D806,472	S *	1/2018	Langenfeld et al.	D7/410
2002/0073855	A1 *	6/2002	Gambino	A47J 37/0611 99/422
2008/0105137	A1 *	5/2008	Genslak	A47J 37/0611 99/350

(Continued)

Primary Examiner — Ricky Pham

(74) *Attorney, Agent, or Firm* — Wang Law Firm, Inc.

(57) **CLAIM**

The ornamental design for a grill pan, as shown and described.

DESCRIPTION

FIG. 1 is a front view of a grill pan showing our new design; FIG. 2 is a rear view thereof; FIG. 3 is a left side view thereof; FIG. 4 is a right side view thereof; FIG. 5 is a top plan view thereof; FIG. 6 is a bottom plan view thereof; and, FIG. 7 is a perspective view thereof.

1 Claim, 7 Drawing Sheets



(56)

References Cited

U.S. PATENT DOCUMENTS

2008/0245241 A1* 10/2008 Rosset A21B 5/023
99/375
2016/0213197 A1* 7/2016 Zhan A47J 37/0611

* cited by examiner

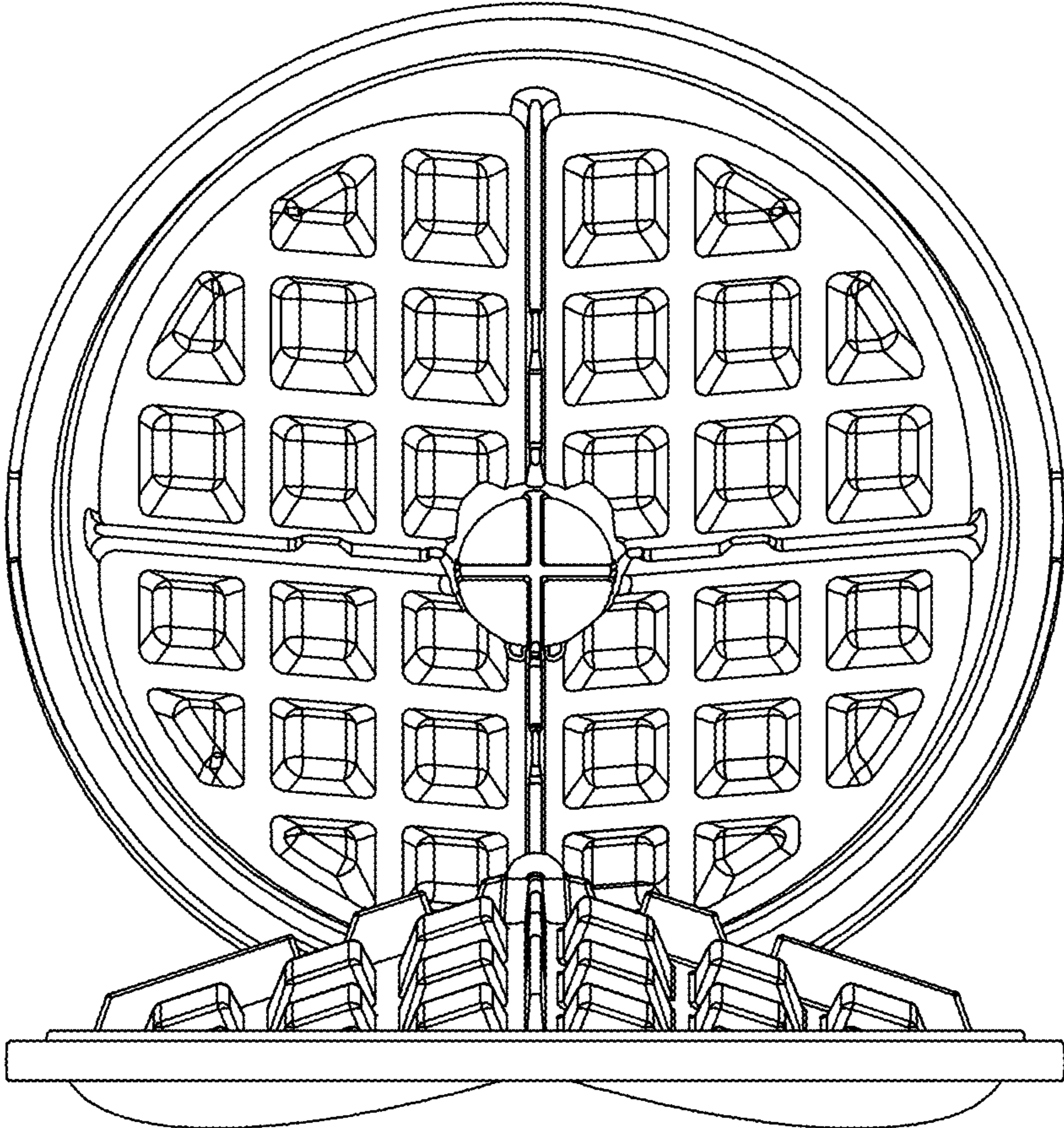


FIG.1

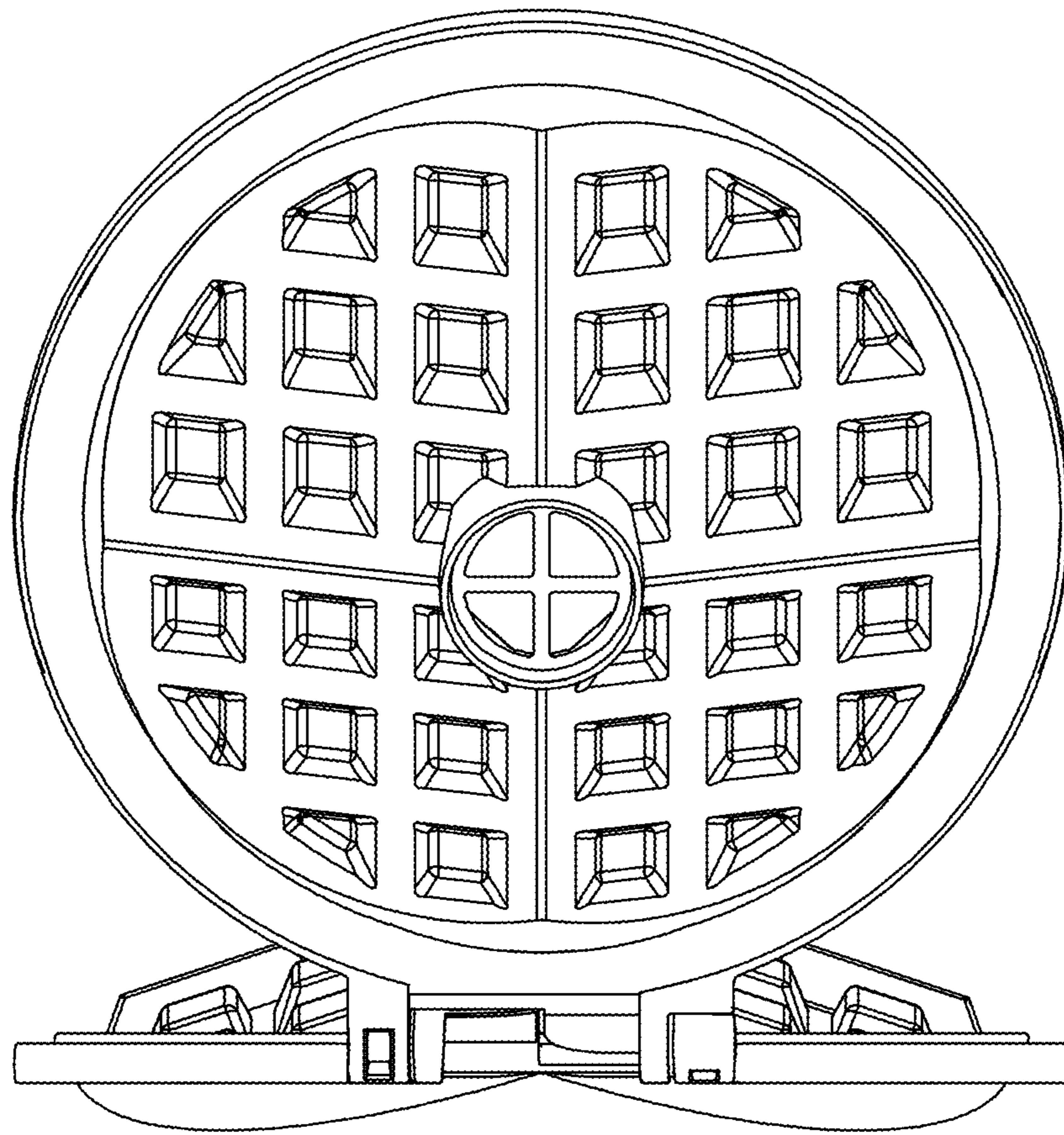


FIG.2

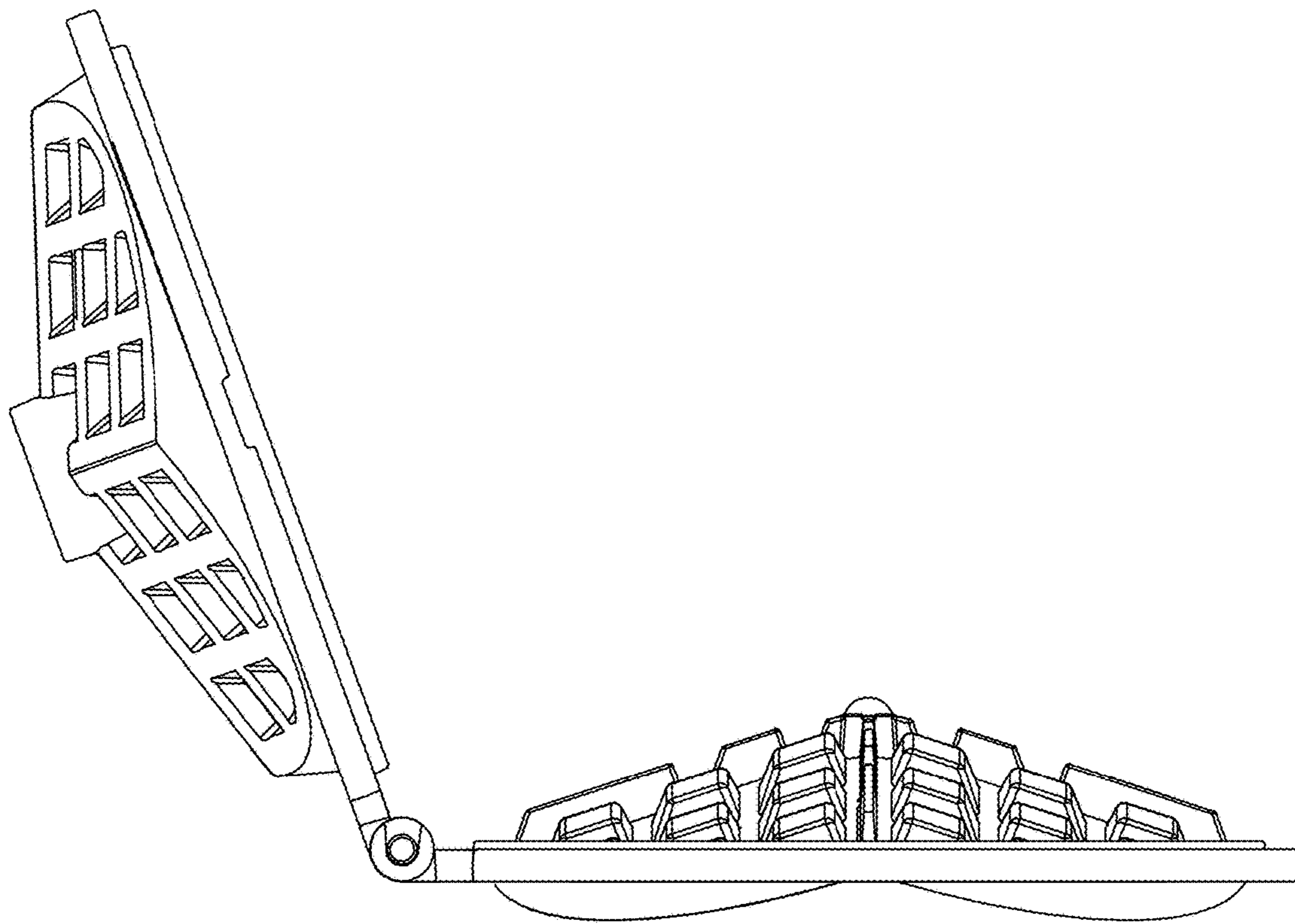


FIG.3

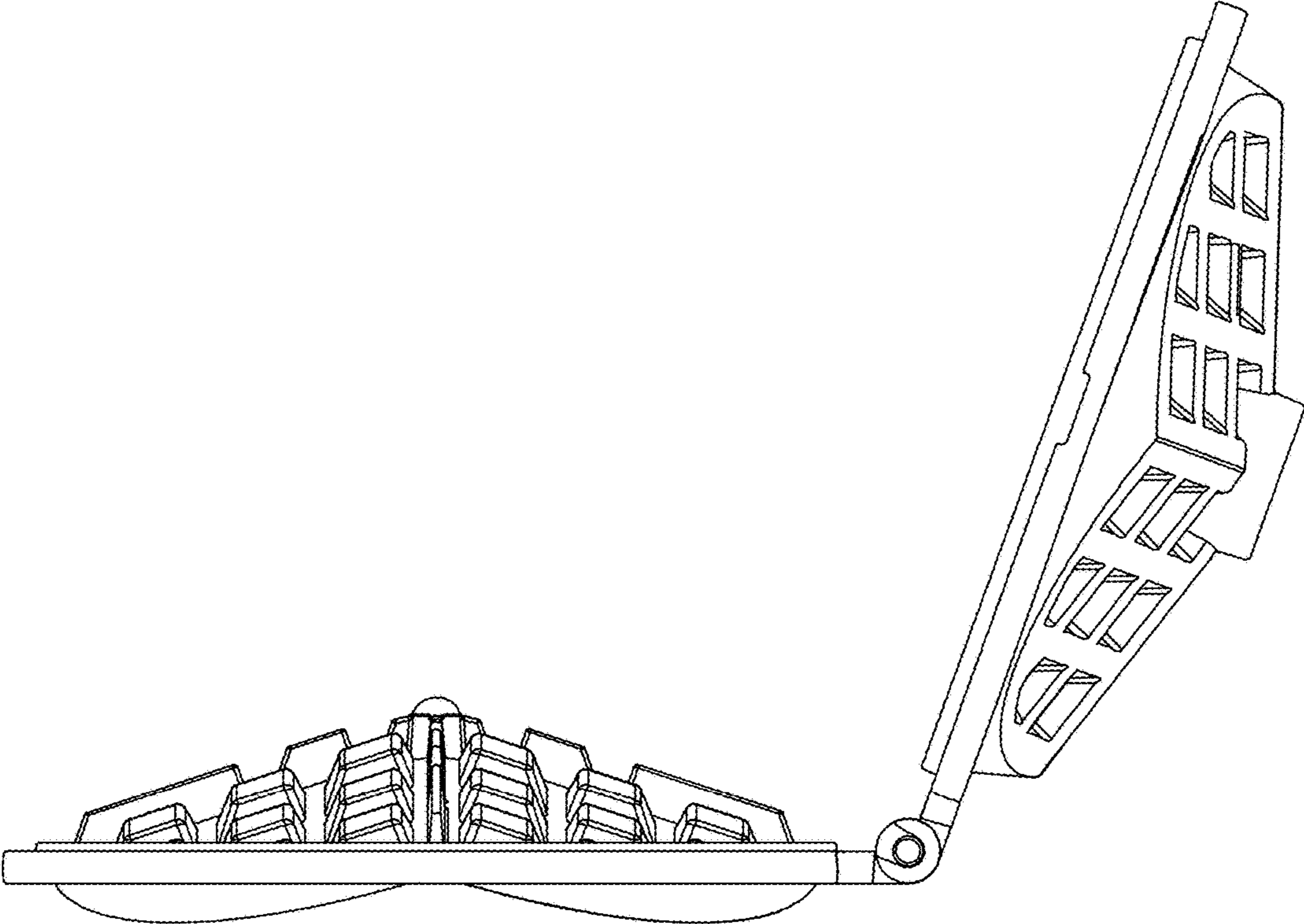


FIG.4

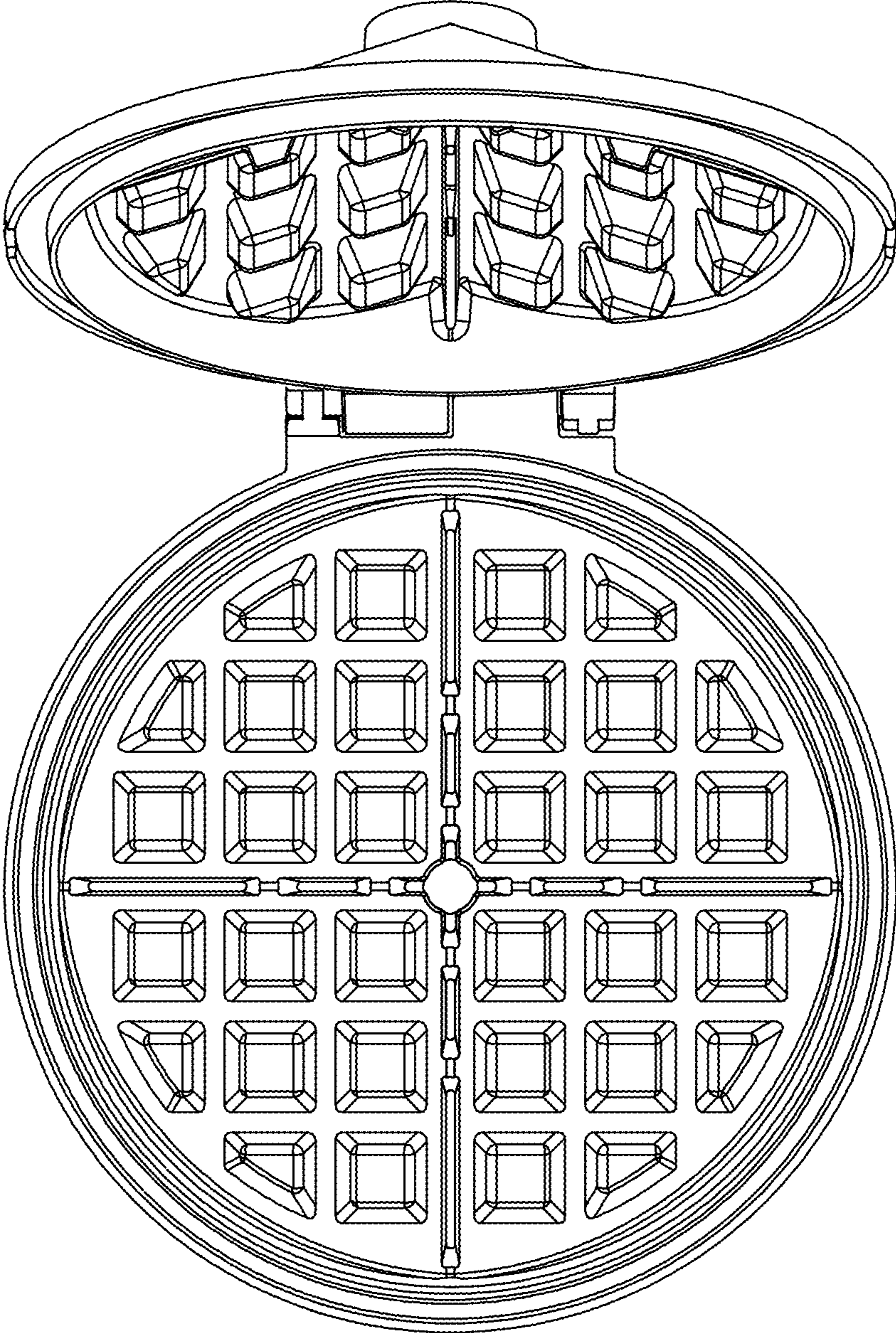


FIG.5

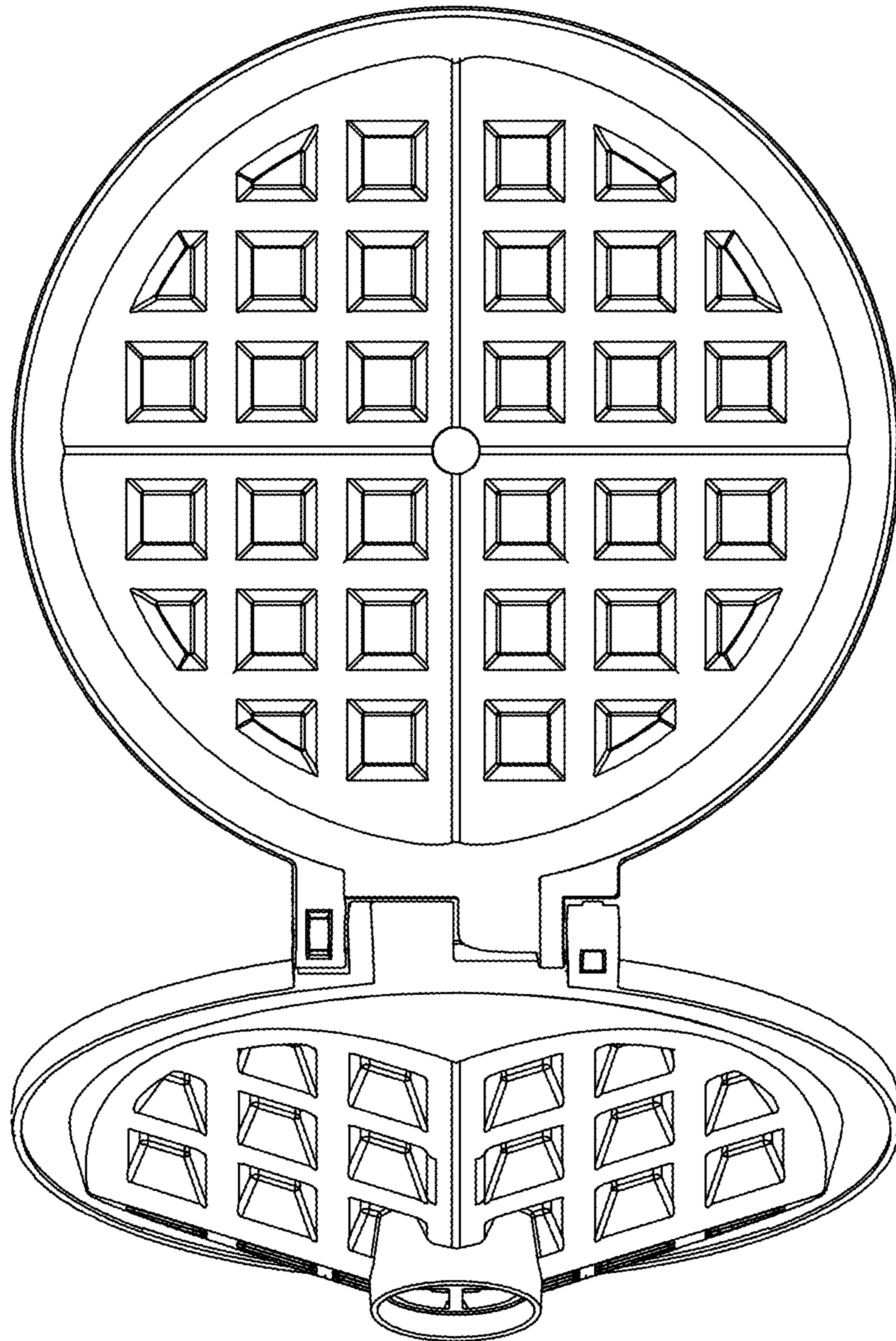


FIG.6



FIG.7