

US00D827374S

(12) **United States Design Patent** (10) **Patent No.:** **US D827,374 S**
Mirchandani et al. (45) **Date of Patent:** **** *Sep. 4, 2018**

(54) **COOKING APPARATUS**

- (71) Applicant: **Tristar Products, Inc.**, Fairfield, NJ (US)
- (72) Inventors: **Keith Mirchandani**, Fairfield, NJ (US);
Paul McGrath, Flanders, NJ (US);
James Mitrik, Long Pond, PA (US);
Alejandro G. Lozano, Guttenberg, NJ (US)
- (73) Assignee: **Tristar Products, Inc.**, Fairfield, NJ (US)
- (*) Notice: This patent is subject to a terminal disclaimer.
- (**) Term: **15 Years**
- (21) Appl. No.: **29/595,970**
- (22) Filed: **Mar. 3, 2017**

- (51) **LOC (11) Cl.** **07-02**
- (52) **U.S. Cl.**
USPC **D7/409**; D7/354; D7/359
- (58) **Field of Classification Search**
USPC D3/314; D7/323, 332, 335-337,
D7/354-355, 359-364, 387-388, 402,
D7/407-409, 552.1, 629; D8/377
CPC A21B 2/00; A21B 3/00; A21B 3/13; A21B
3/15; A21B 5/00; A21B 5/02; A23N
12/06; A23N 12/08; A23N 12/10; A47J
36/16; A47J 37/00; A47J 37/04; A47J
37/041; A47J 37/042; A47J 37/06; A47J
37/0688; A47J 37/0694; A47J 37/07;
A47J 37/0704; A47J 37/10; A47J 37/108;
A47J 43/282; A47J 47/20; A47J 2037/00;
A47J 2037/06; A47J 2037/0611; A47J
2037/07; A47J 2037/0786; A47J
2037/0795; B65D

(Continued)

(56) **References Cited**

U.S. PATENT DOCUMENTS

1,671,450 A	5/1928	Ross	
2,501,588 A *	3/1950	Somers A47J 43/282 206/804

(Continued)

FOREIGN PATENT DOCUMENTS

CA	99505 A	6/1906
CN	203776009 U	8/2014

(Continued)

Primary Examiner — Ricky Pham

(74) *Attorney, Agent, or Firm* — Adler Pollock & Sheehan P.C.; Daniel J. Holmander, Esq.

(57) **CLAIM**

The ornamental design for a cooking apparatus, as shown and described.

DESCRIPTION

The file of this patent contains at least one drawing executed in color. Copies of this patent with color drawings will be provided by the Office upon request and payment of the necessary fee.

FIG. 1 is a top perspective view of a cooking apparatus in accordance with the subject disclosure.

FIG. 2 is a right side view of the cooking apparatus of FIG. 1.

FIG. 3 is a left side view of the cooking apparatus of FIG. 1.

FIG. 4 is a front view of the cooking apparatus of FIG. 1.

FIG. 5 is a rear view of the cooking apparatus of FIG. 1.

FIG. 6 is a top view of the cooking apparatus of FIG. 1.

FIG. 7 is a bottom view of the cooking apparatus of FIG. 1.

FIG. 8 is another top perspective view of the cooking apparatus of FIG. 1; and,

(Continued)

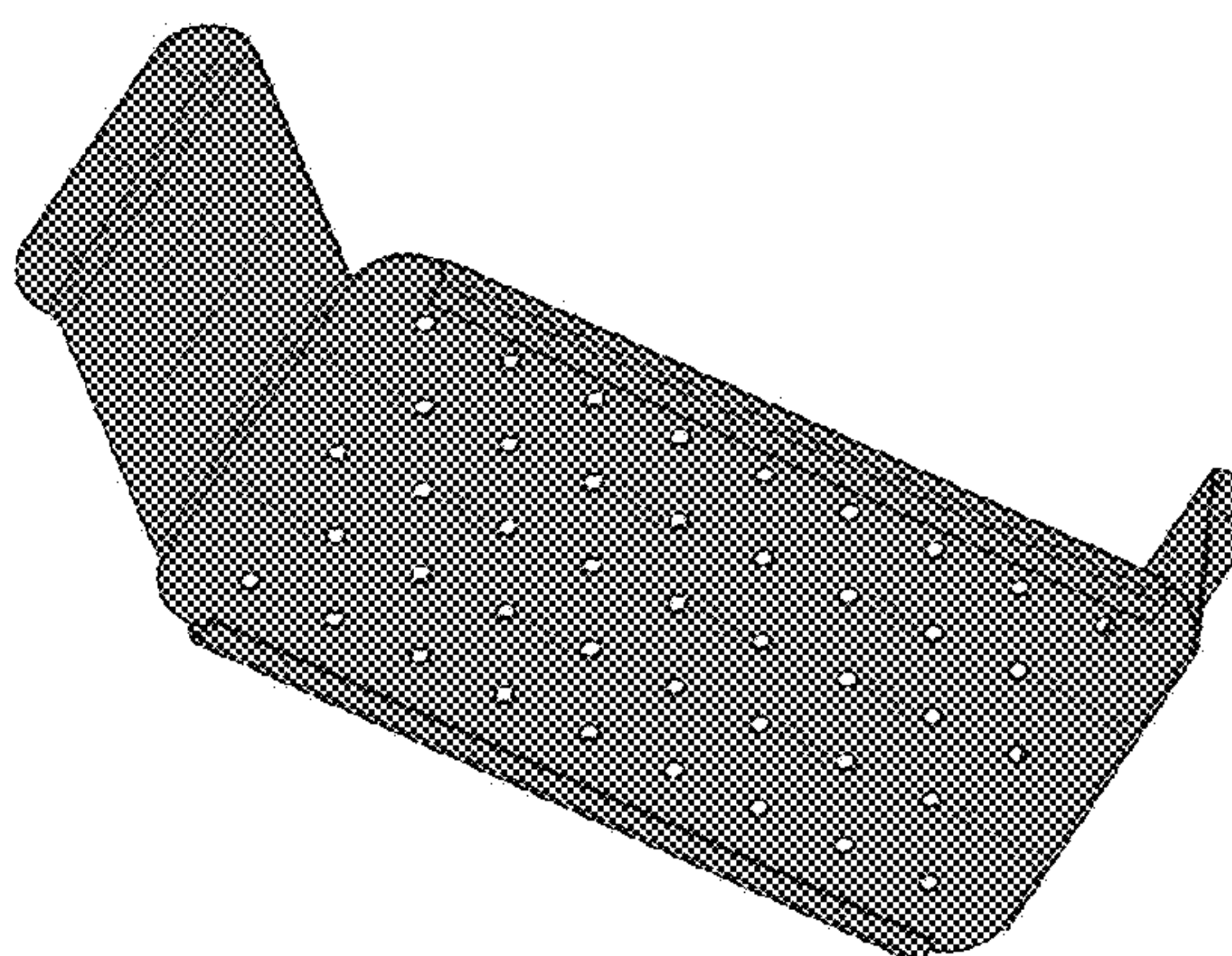
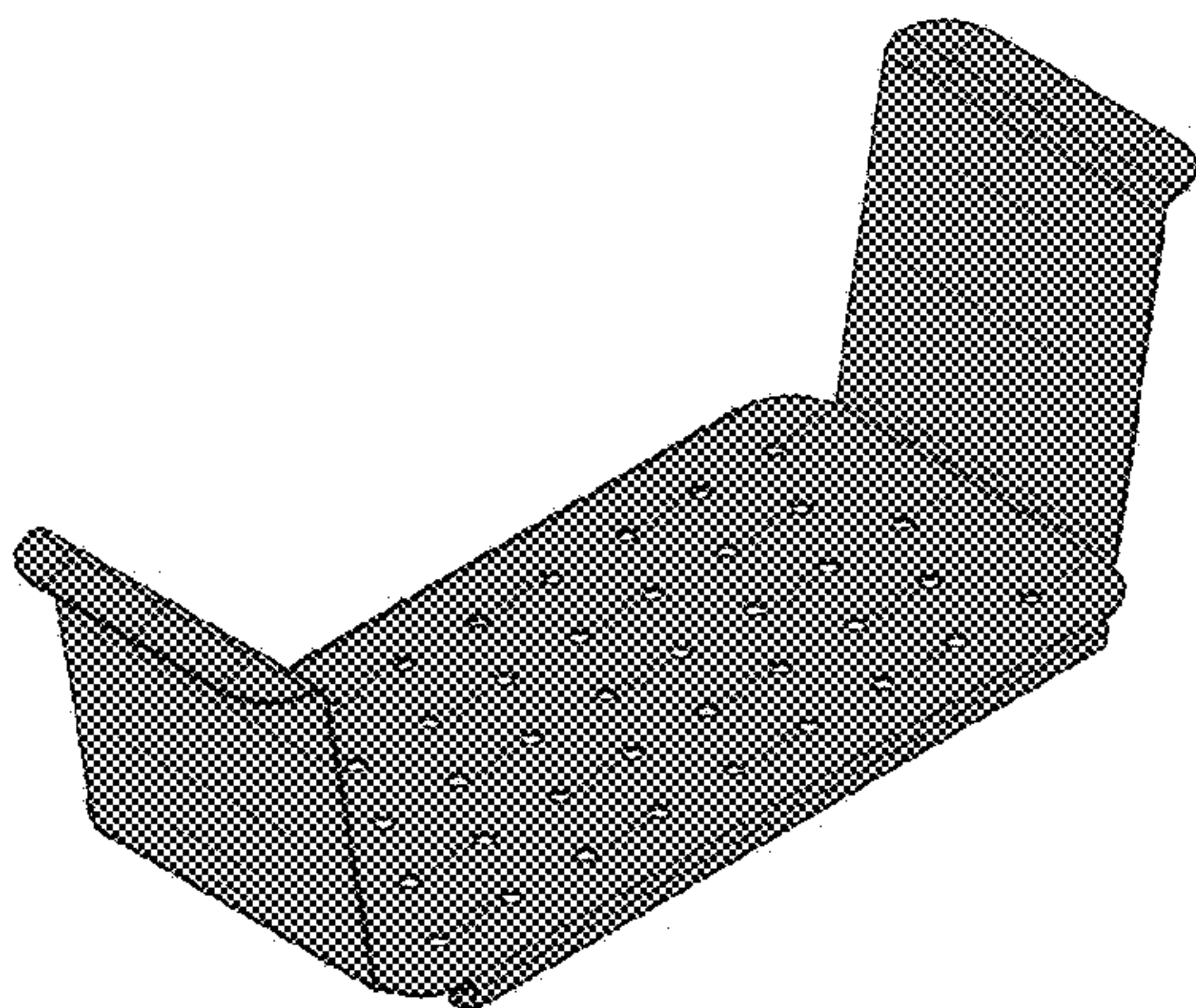


FIG. 9 is a bottom perspective view of the cooking apparatus of FIG. 1.

**1 Claim, 9 Drawing Sheets
(9 of 9 Drawing Sheet(s) Filed in Color)**

(58) Field of Classification Search

CPC 21/0204; F24C 15/10; F24C 15/12; F24C 15/14; F24C 15/16; F24C 15/164; F24C 15/18

See application file for complete search history.

(56) References Cited

U.S. PATENT DOCUMENTS

4,014,451	A	3/1977	Cannon et al.
4,106,486	A	8/1978	Lee
4,195,747	A	4/1980	Hare
4,291,616	A *	9/1981	Taylor A47J 37/108 99/446
D286,496	S *	11/1986	Daenen D32/57
4,865,858	A	9/1989	Petcavich
D308,274	S *	5/1990	Gosselin D3/314
D332,204	S *	1/1993	Carlson D7/629
D340,614	S *	10/1993	Kaeding D7/354
D384,555	S	10/1997	Bradley
5,800,853	A	9/1998	Wang
6,092,684	A *	7/2000	Sato B65D 21/0204 206/504
D437,180	S	2/2001	Emrich
D445,633	S	7/2001	Bradley
D466,758	S	12/2002	Bradley

6,546,850	B1	4/2003	Akiyama-Warren
D528,376	S	9/2006	Munson et al.
D545,092	S *	6/2007	Knorring, Jr. A47F 1/12 D8/377
D559,621	S	1/2008	Raichlen et al.
D569,169	S	5/2008	Munson
D584,112	S	1/2009	Ehrenhaus et al.
D588,859	S	3/2009	Simon et al.
D615,825	S	5/2010	Curtin
D630,886	S *	1/2011	Thanasouk D7/354
D641,217	S	7/2011	Chen et al.
D662,781	S *	7/2012	Pallotto D7/552.1
D684,733	S	6/2013	Altoon
D777,535	S	1/2017	Zemel et al.
9,723,949	B2 *	8/2017	Moore A47J 36/16
D801,104	S *	10/2017	Mirchandani D7/354
2005/0098046	A1	5/2005	Morgan
2010/0263552	A1	10/2010	Hendrickson
2015/0069215	A1	3/2015	Kohnen
2015/0201802	A1 *	7/2015	Moore A47J 36/16 426/389
2015/0250189	A1	9/2015	Marin Moro

FOREIGN PATENT DOCUMENTS

GB	802872	A	10/1958
GB	835370	A	5/1960
GB	2073582	A	10/1981
GB	2075824	A	11/1981
GB	2451496	A	2/2009
JP	2009508512	A	3/2009
WO	WO-890210	A1	1/1989
WO	WO-9533360	A1	12/1995
WO	WO-2006062527	A1	6/2006

* cited by examiner

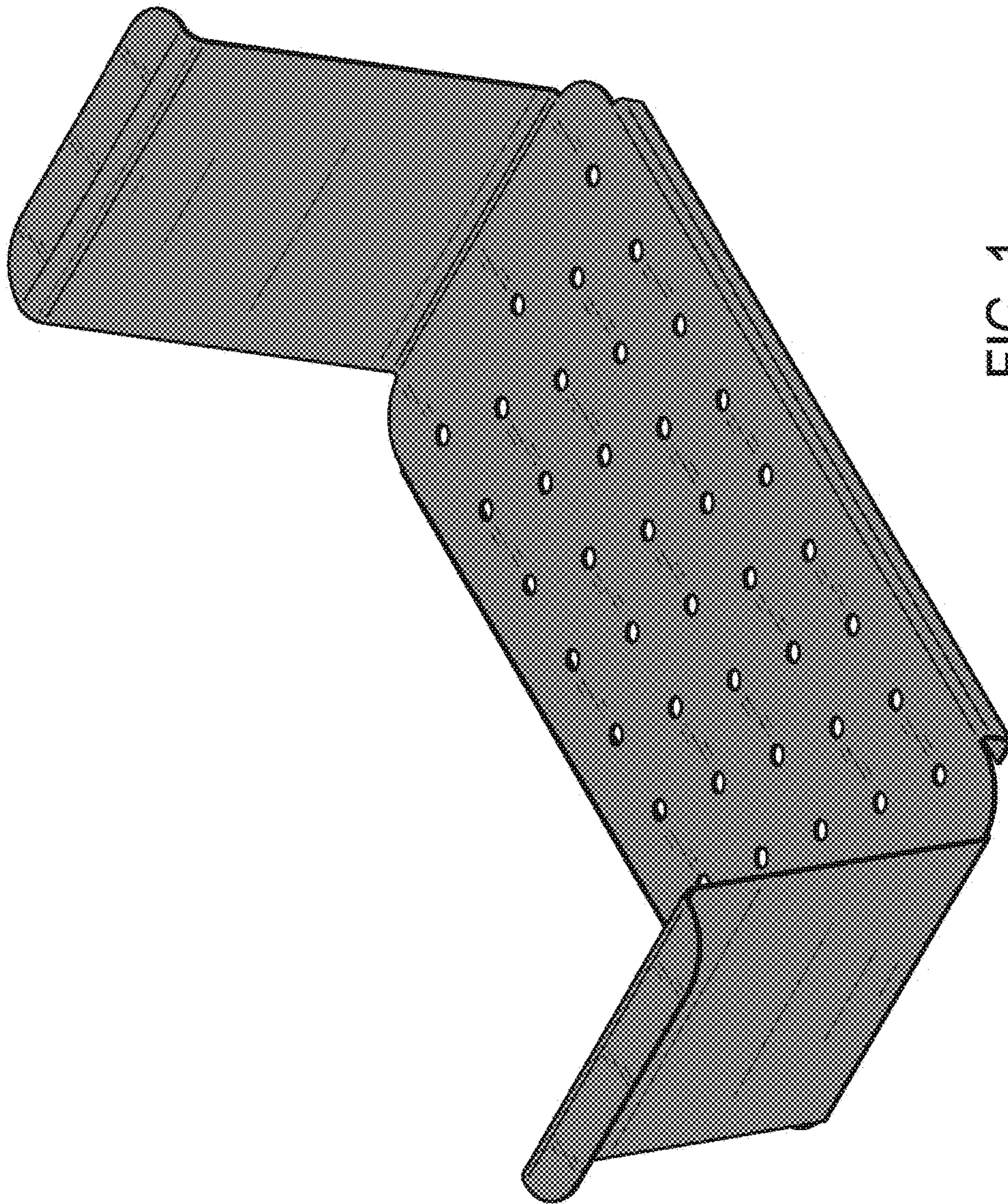


FIG. 1

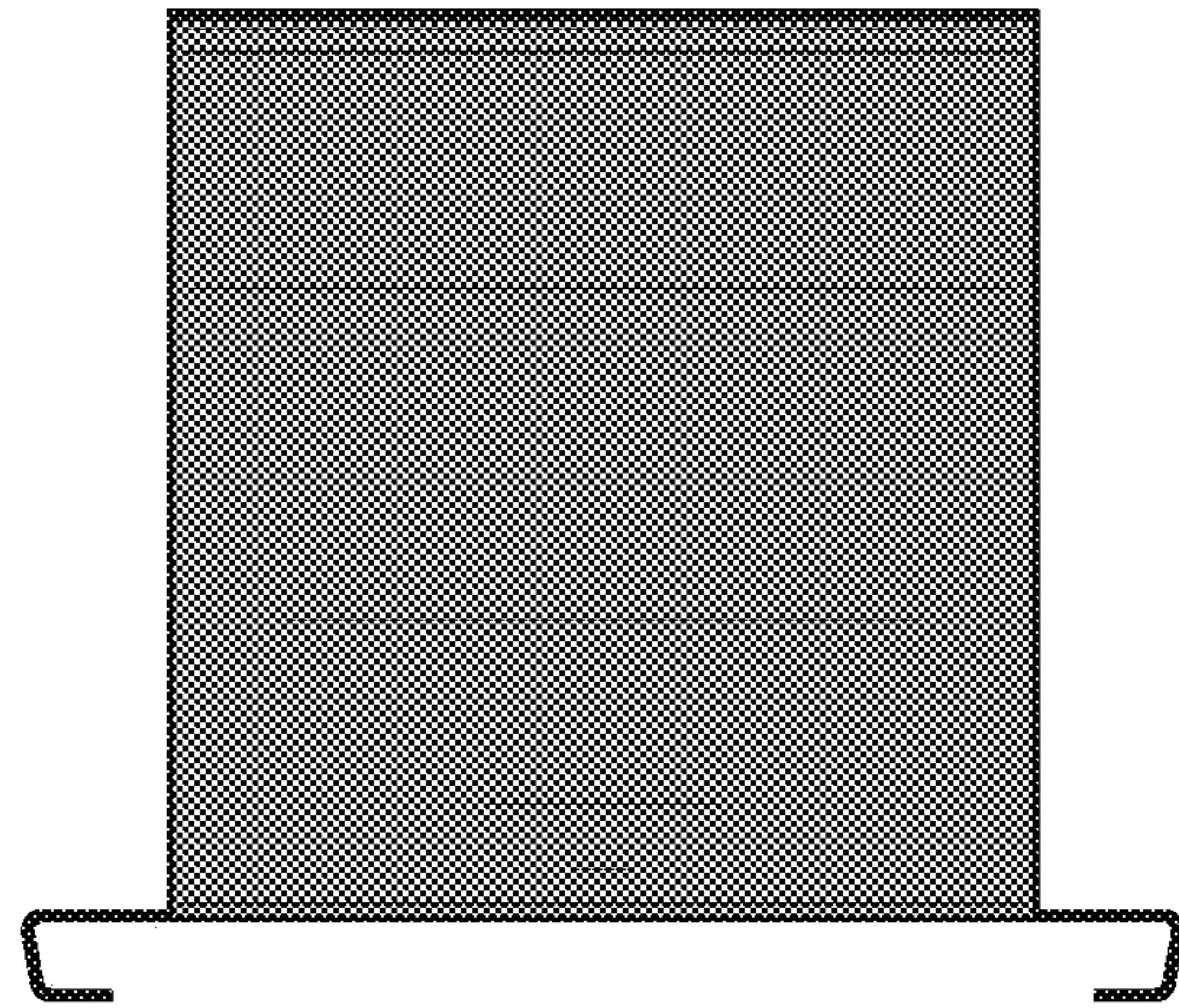


FIG. 2

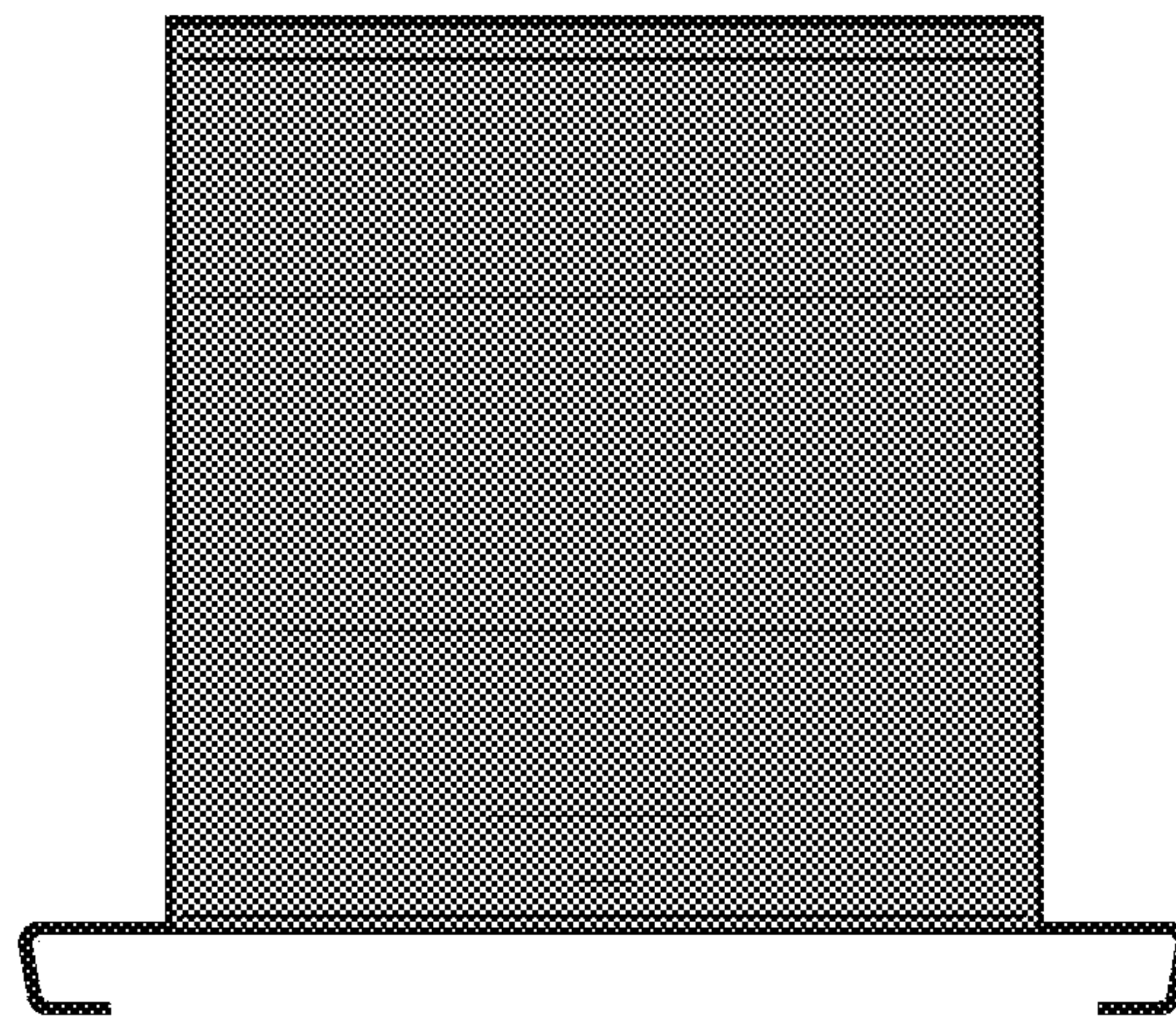


FIG. 3



FIG. 4

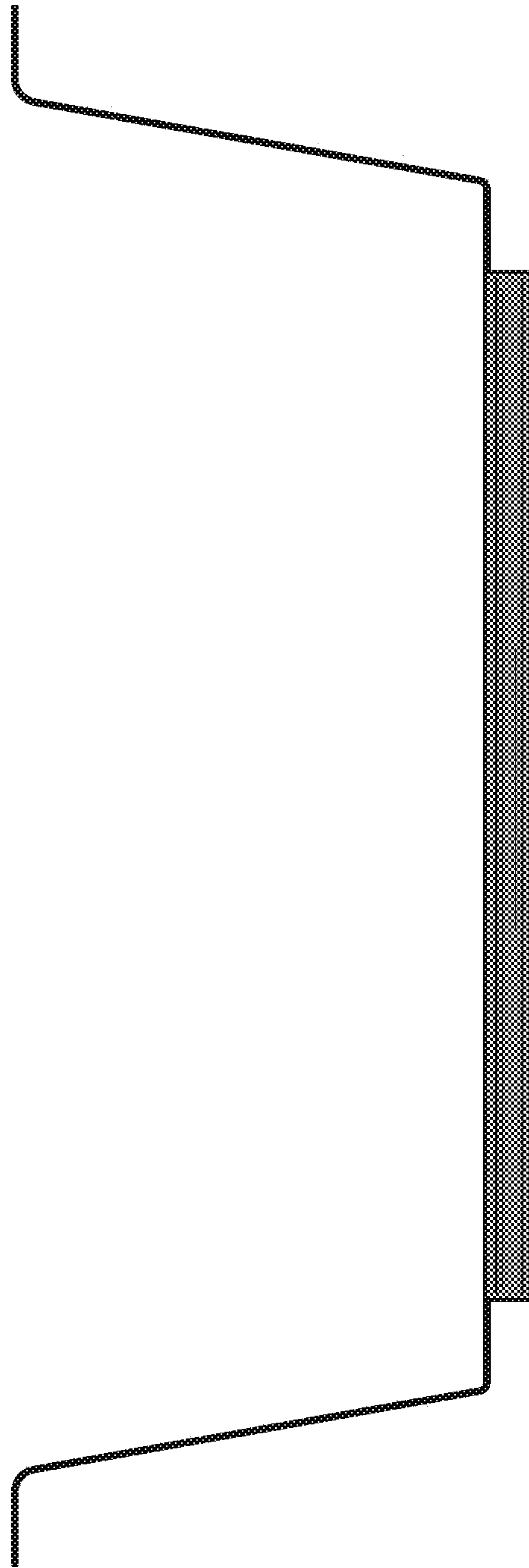


FIG. 5

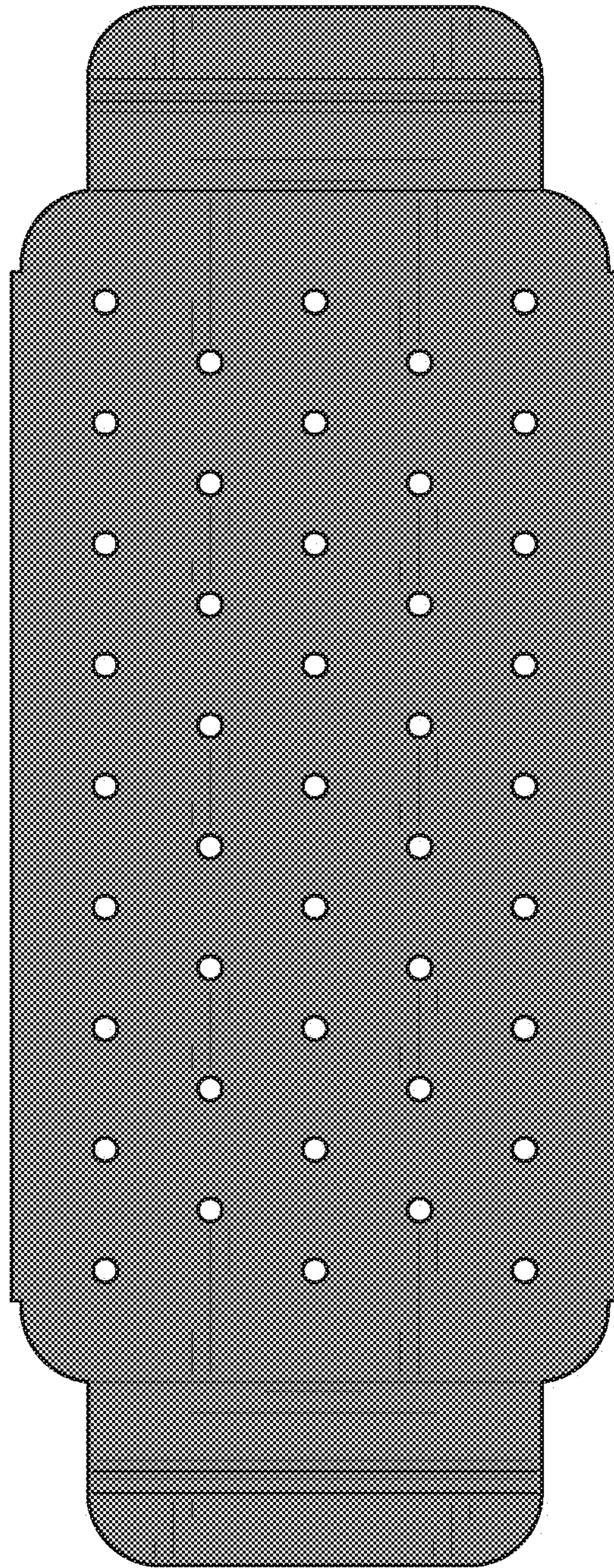


FIG. 6

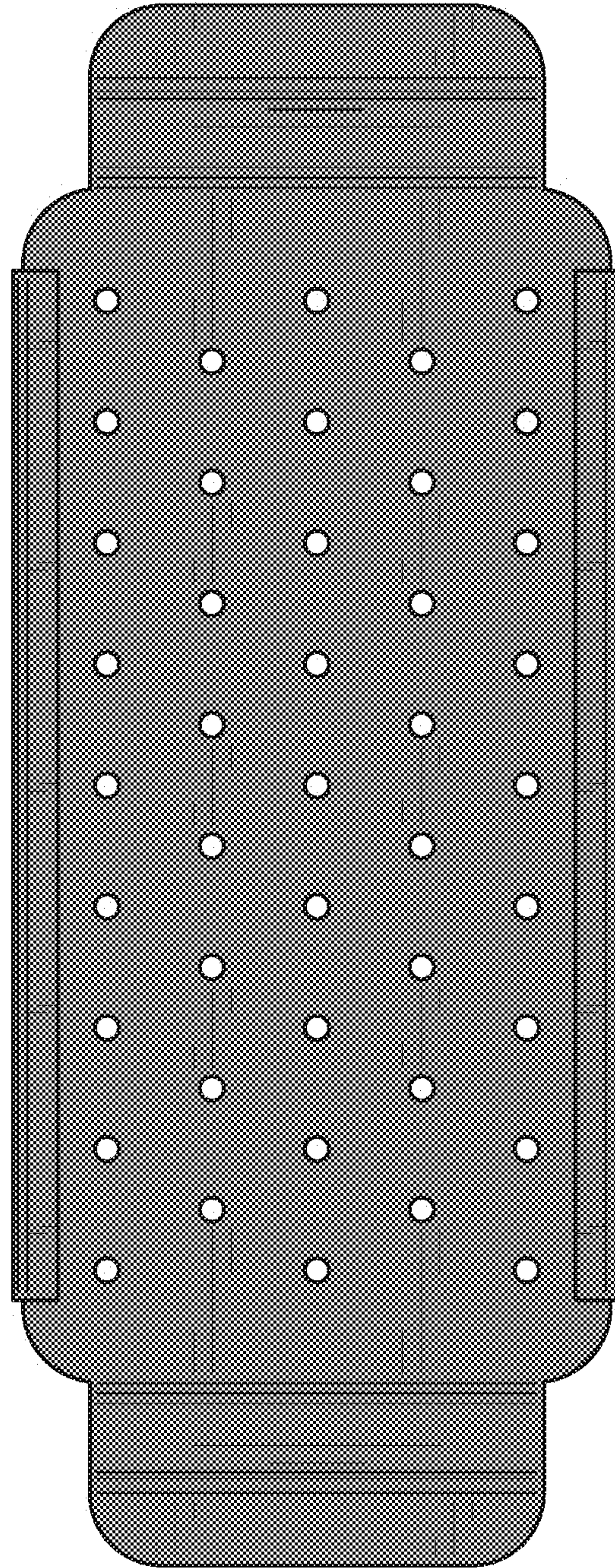


FIG. 7

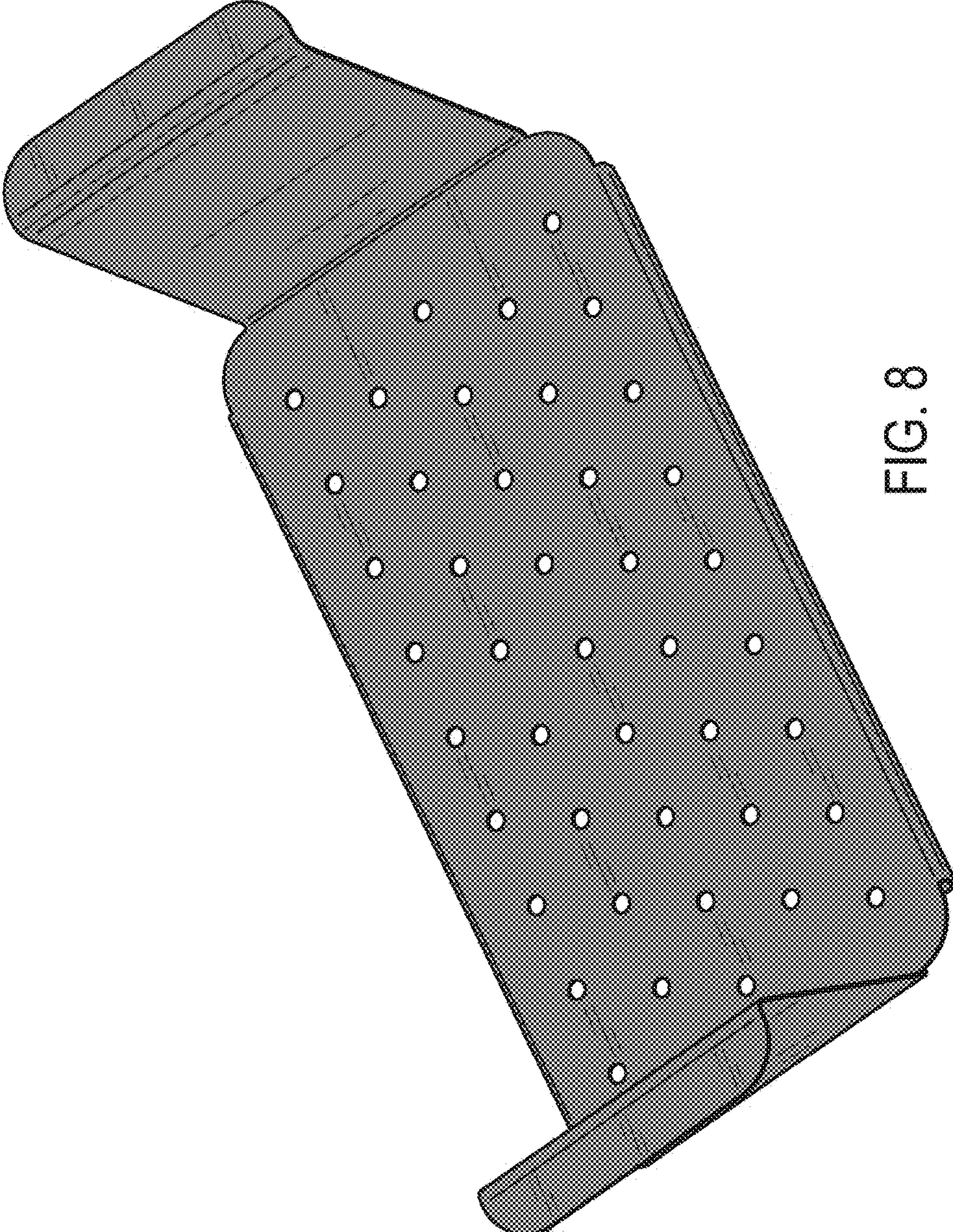


FIG. 8

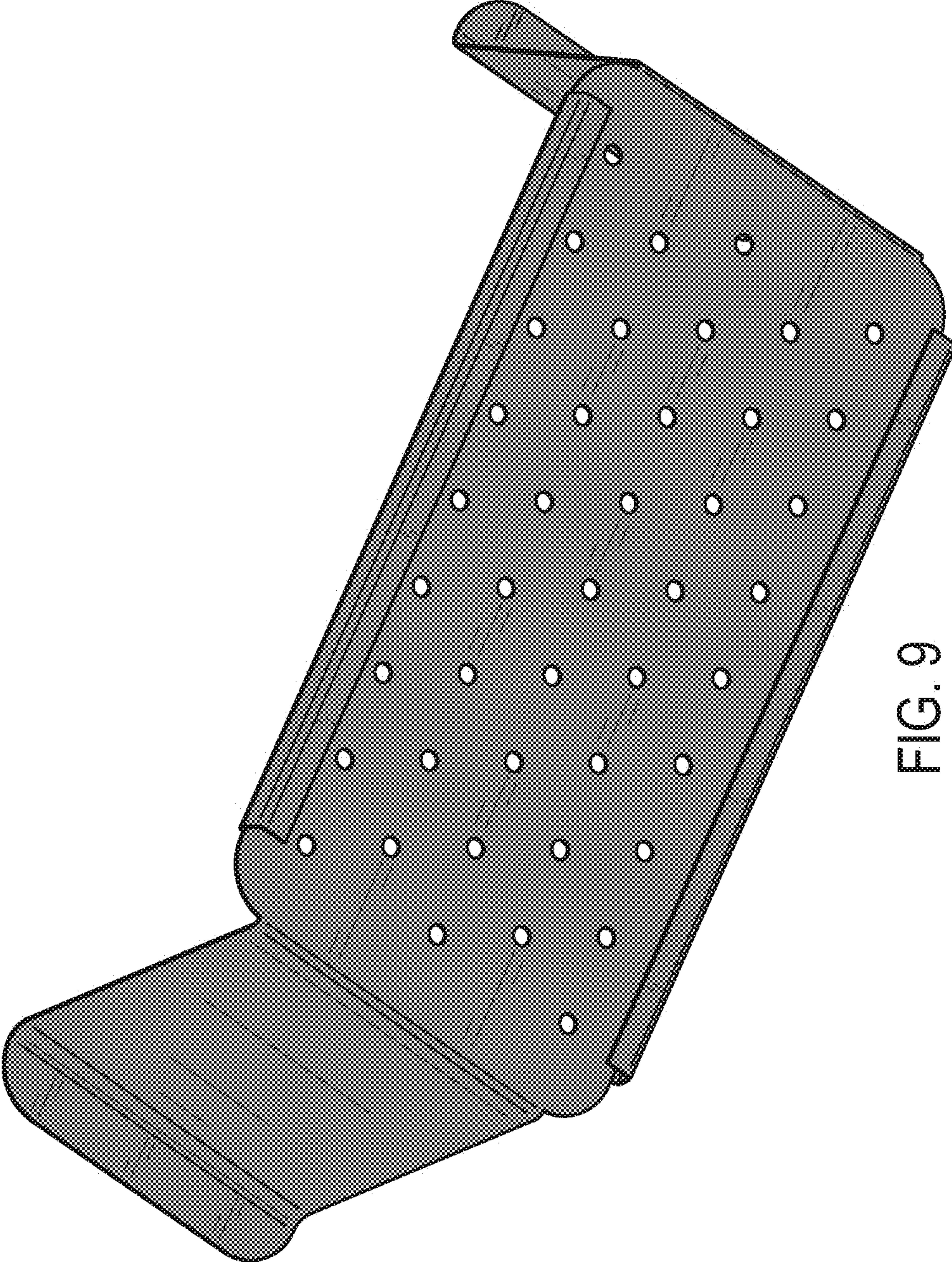


FIG. 9