

US00D827373S

(12) **United States Design Patent**
Nelson

(10) **Patent No.:** **US D827,373 S**
(45) **Date of Patent:** **** Sep. 4, 2018**

- (54) **ROASTING SKEWER STAND**
- (71) Applicant: **David Nelson**, Canton, NC (US)
- (72) Inventor: **David Nelson**, Canton, NC (US)
- (**) Term: **15 Years**
- (21) Appl. No.: **29/548,707**
- (22) Filed: **Dec. 16, 2015**
- (51) **LOC (11) Cl.** **07-02**
- (52) **U.S. Cl.**
USPC **D7/409**
- (58) **Field of Classification Search**
USPC D7/323, 332, 335-337, 354-355,
D7/359-364, 387-388, 402, 407-409,
D7/669, 683-684, 690
CPC A21B 2/00; A21B 3/00; A21B 3/13; A21B
3/15; A21B 5/00; A21B 5/02; A23N
12/06; A23N 12/08; A23N 12/10; A47J
33/00; A47J 37/00; A47J 37/04; A47J
37/041; A47J 37/042; A47J 37/06; A47J
37/0688; A47J 37/0694; A47J 37/07;
A47J 37/0704; A47J 37/0763; A47J
37/0786; A47J 37/10; A47J 43/18; A47J
47/20; A47J 2037/00; A47J 2037/06;
A47J 2037/0611; A47J 2037/07; A47J
2037/0786; A47J 2037/0795; F24C 15/10;
F24C 15/12; F24C 15/14; F24C 15/16;
F24C 15/164; F24C 15/18
See application file for complete search history.

D264,037 S *	4/1982	Johnson	D7/669
5,117,558 A *	6/1992	Hull	A47J 43/18
				30/323
5,307,797 A *	5/1994	Kleefeld	A47J 33/00
				126/30
D377,888 S *	2/1997	Griffin	D7/683
D395,988 S *	7/1998	Badour	D7/683
D592,467 S *	5/2009	Heintzinger	D7/684
D713,695 S *	9/2014	Hurt	D7/683
D717,596 S *	11/2014	Maher	D7/402
8,915,526 B1 *	12/2014	Ott	A47J 37/0786
				294/10
D752,921 S *	4/2016	Boulton	D7/409
D763,636 S *	8/2016	Buck	D7/690

* cited by examiner

Primary Examiner — Ricky Pham
(74) *Attorney, Agent, or Firm* — Andrew C. Aitken

(57) **CLAIM**

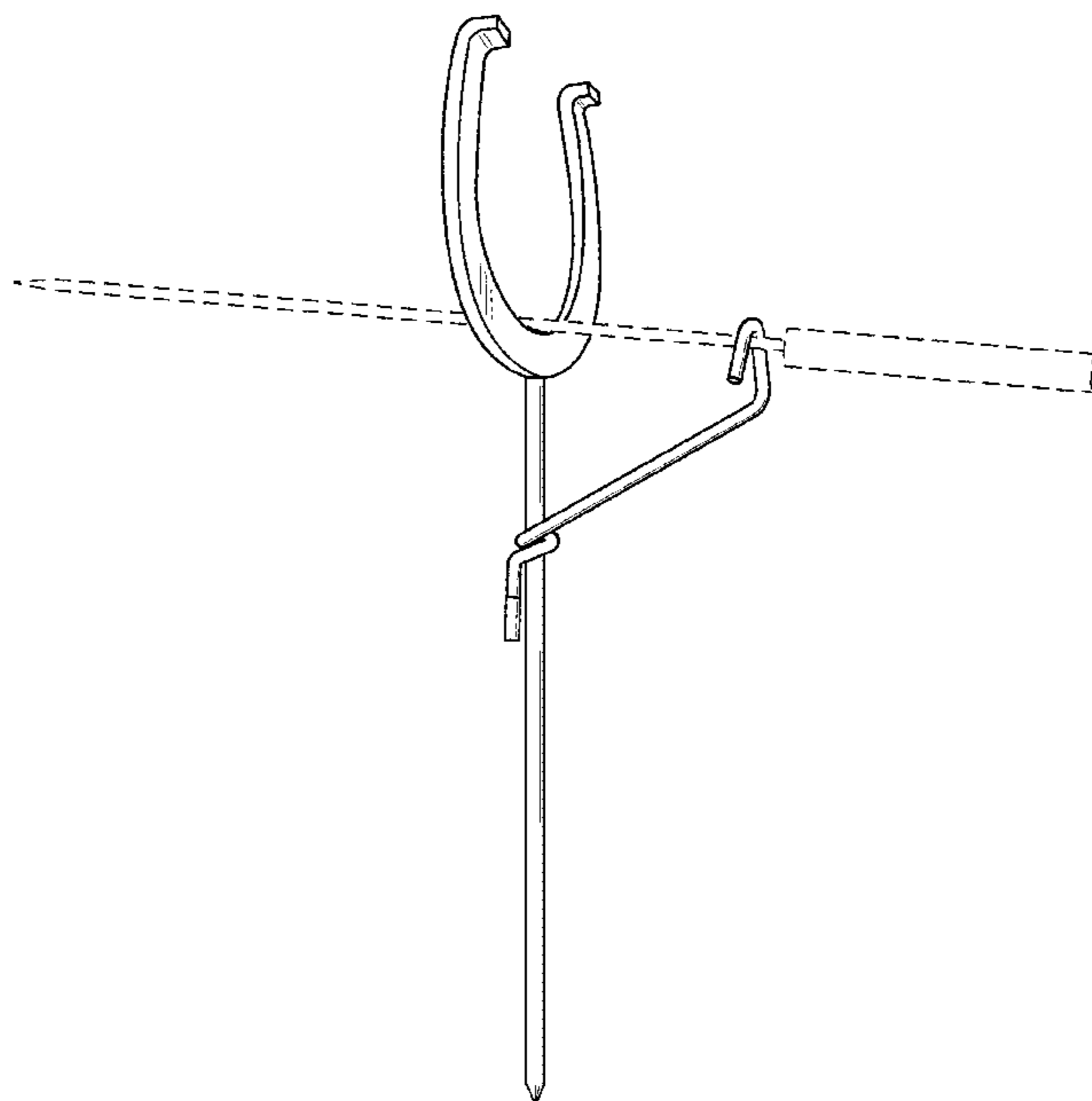
The ornamental design for a roasting skewer stand, as shown and described.

DESCRIPTION

FIG. 1 is a perspective view of the present invention;
FIG. 2 is a front view in elevation thereof;
FIG. 3 is a rear view in elevation thereof;
FIG. 4 is a left side view in elevation thereof;
FIG. 5 is a right side view in elevation thereof; and,
FIG. 6 is a top plan view thereof; and,
FIG. 7 is a bottom plan view thereof.
The broken lines shown in the drawings are for illustrative purposes only and form no part of the claimed design.

- (56) **References Cited**
U.S. PATENT DOCUMENTS
D186,947 S * 12/1959 Jackle et al. D7/690
2,935,982 A * 5/1960 Otis A47J 37/0763
126/30

1 Claim, 6 Drawing Sheets



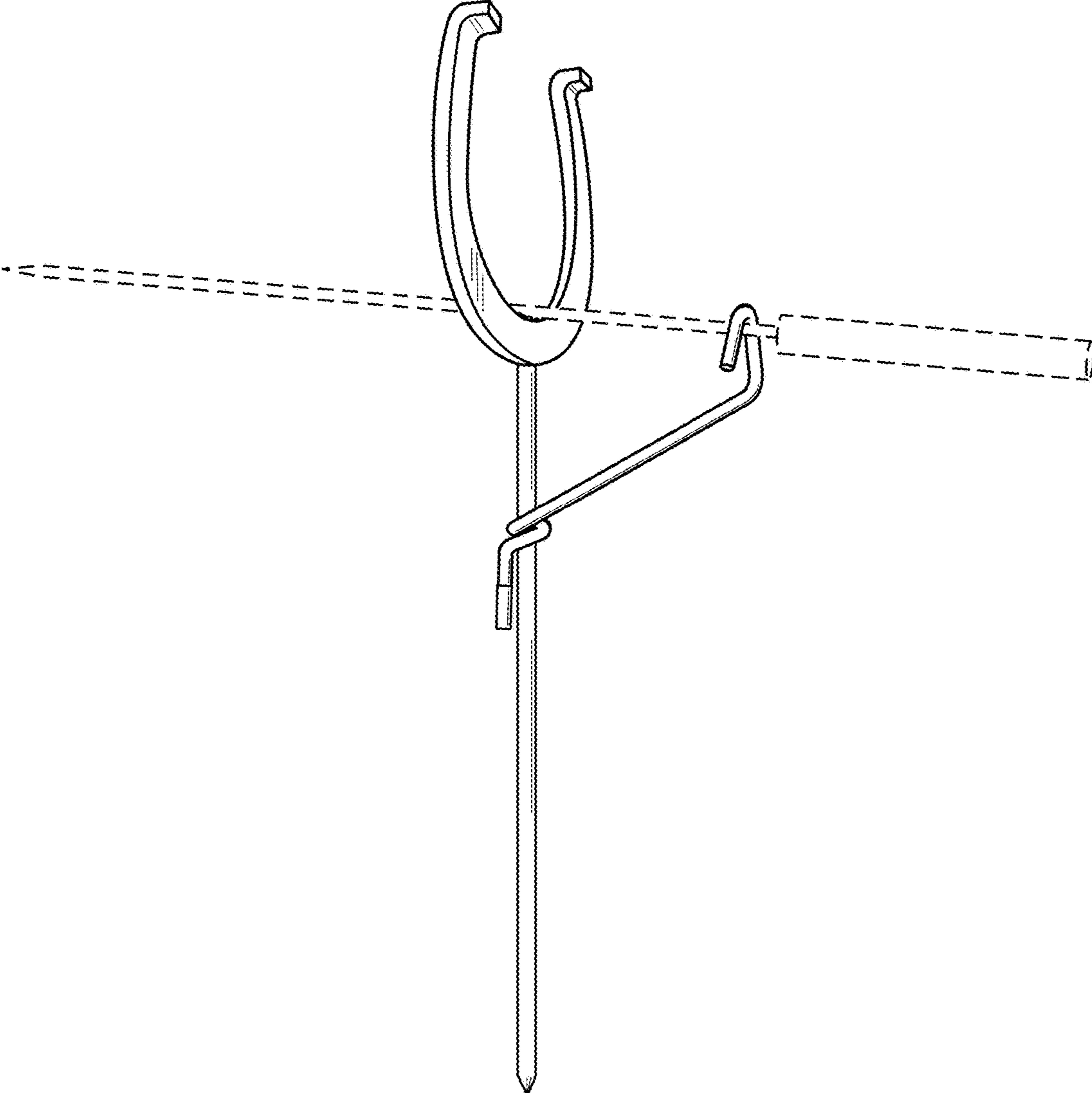


FIG. 1

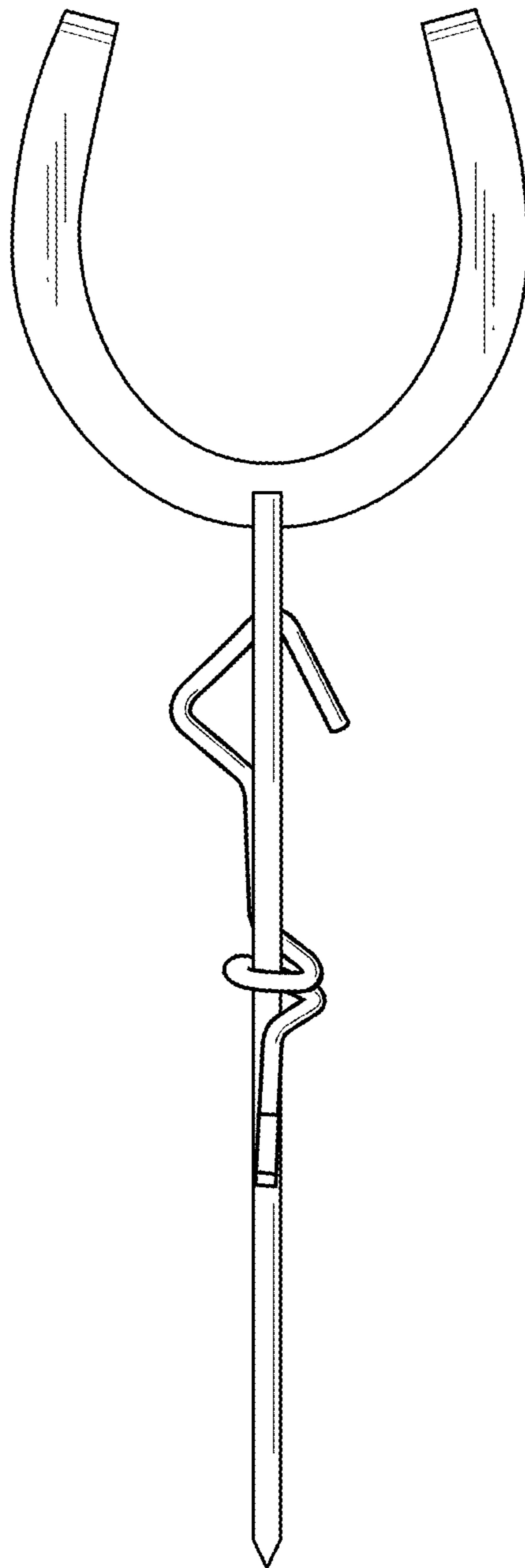


FIG. 2

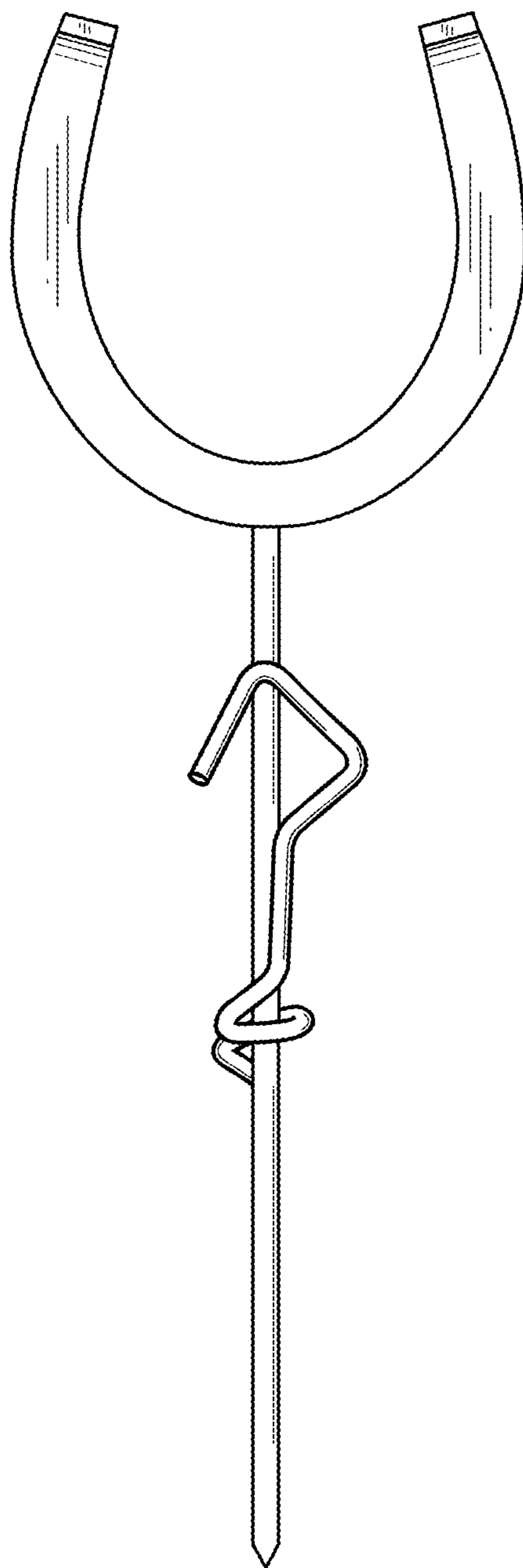


FIG. 3

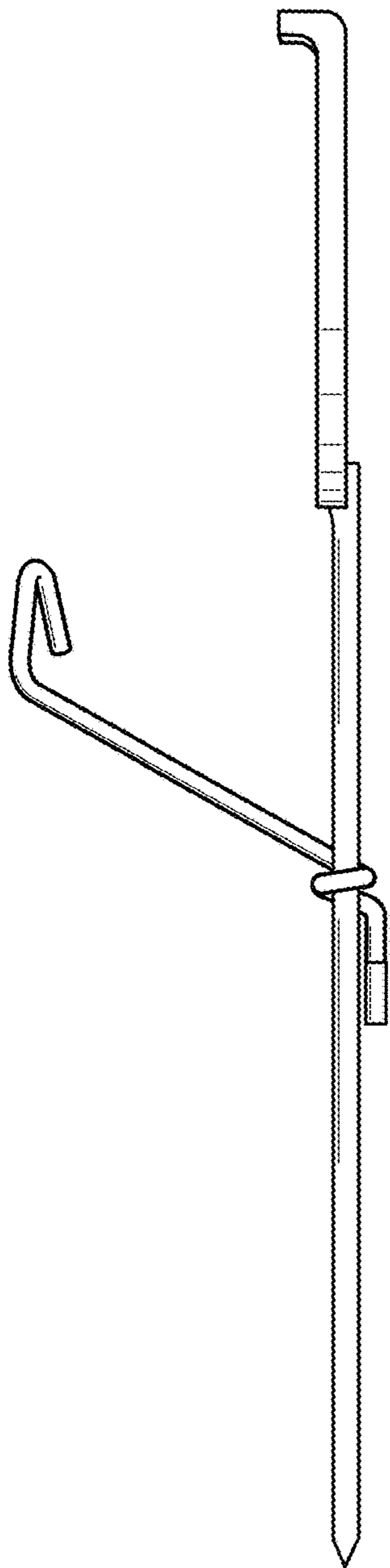


FIG. 4

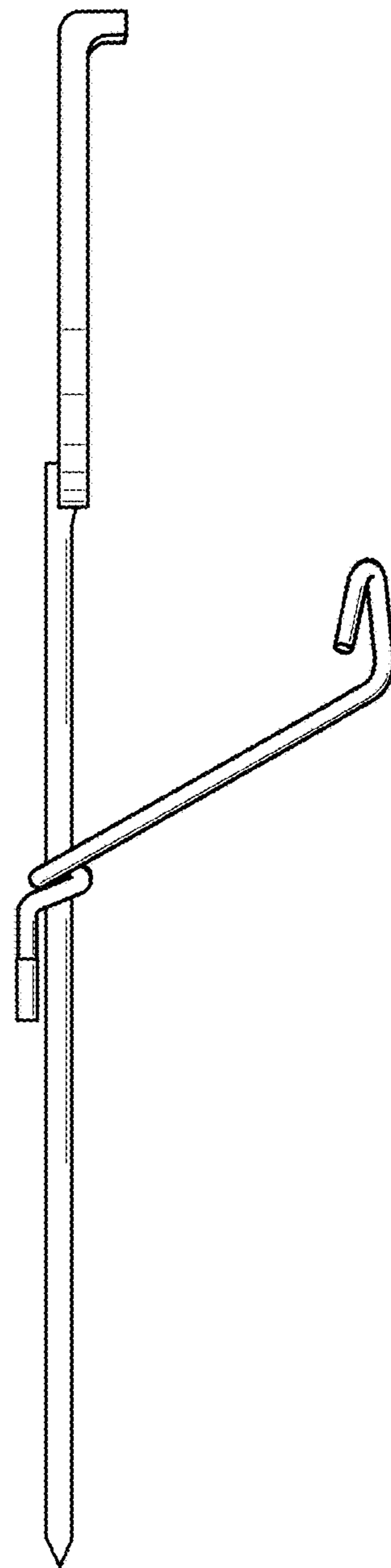


FIG. 5

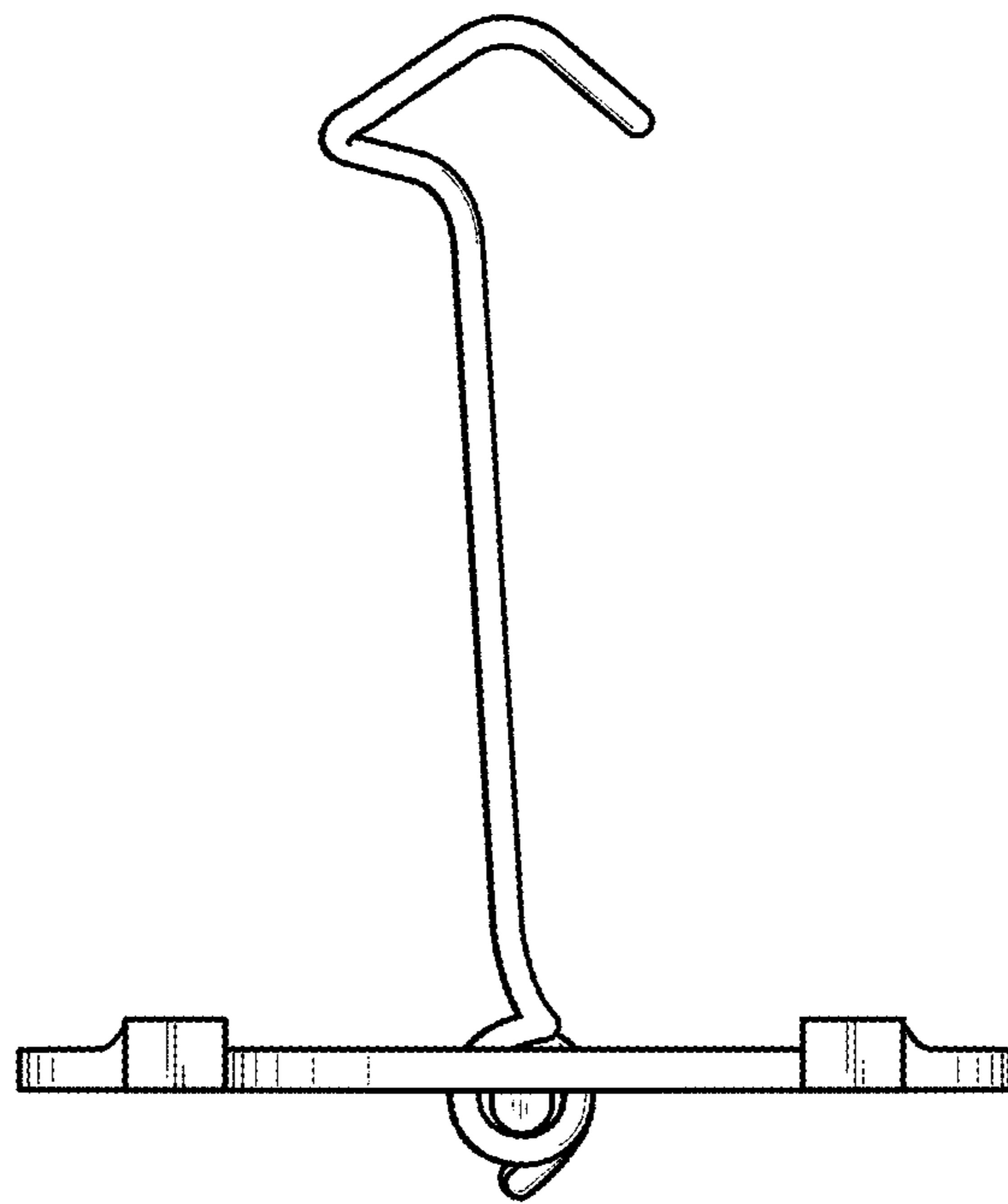


FIG. 6

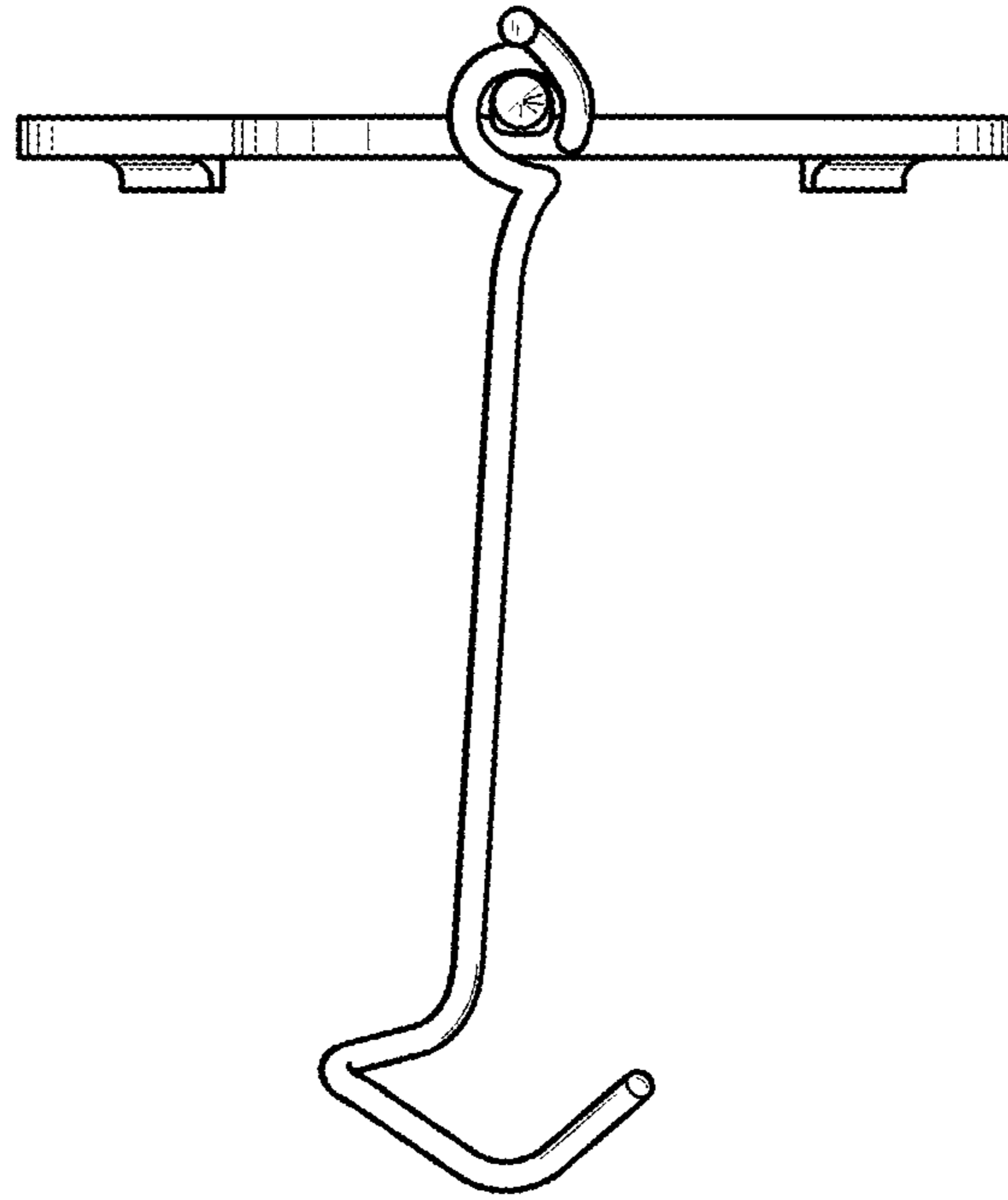


FIG. 7