



US00D827371S

(12) **United States Design Patent** (10) **Patent No.:** **US D827,371 S**  
**Colston et al.** (45) **Date of Patent:** **\*\* Sep. 4, 2018**

(54) **THREE-TIERED GRILL RACK SYSTEM**

(71) Applicants: **Michael Colston**, Salt Lake City, UT (US); **Daniel Altenritter**, Riverton, UT (US); **Matthew Czach**, Kalamazoo, MI (US)

(72) Inventors: **Michael Colston**, Salt Lake City, UT (US); **Daniel Altenritter**, Riverton, UT (US); **Matthew Czach**, Kalamazoo, MI (US)

(73) Assignee: **Traeger Pellet Grills, LLC**, Salt Lake City, UT (US)

(\*\*) Term: **15 Years**

(21) Appl. No.: **29/539,834**

(22) Filed: **Sep. 17, 2015**

(51) **LOC (11) Cl.** ..... **07-02**

(52) **U.S. Cl.**  
USPC ..... **D7/408**

(58) **Field of Classification Search**  
USPC ..... D7/402-409, 323, 332, 335-337, D7/354-355, 362-366, 387-388; D23/261; D3/306; D24/228; D6/705.6, D6/675.2, 566  
CPC ..... A47J 36/34; A47J 36/2405; A47J 36/24; A47J 37/0694; A47J 37/108; B65D 7/20; F24C 15/16  
See application file for complete search history.

(56) **References Cited**

**U.S. PATENT DOCUMENTS**

D163,163 S *	5/1951	Barnhart	.....	D7/332
D164,978 S *	10/1951	Bitney	.....	D7/332
D274,686 S *	7/1984	Ambler	.....	D7/337
D276,688 S *	12/1984	Lee	.....	D7/332
D291,768 S *	9/1987	Murphy	.....	D7/408
6,148,813 A *	11/2000	Barnes	.....	F24C 15/168 108/143

(Continued)

**OTHER PUBLICATIONS**

5 Great Grills That Will Make You a Backyard BBQ Star, by Larry Olmsted, Forbes [online], published May 13, 2017, [retrieved on Feb. 13, 2018]. Retrieved from the Internet, URL: <https://www.forbes.com/sites/larryolmsted/2017/05/13/5-great-grills-that-will-make-you-a-backyard-bbq-star/#4f82316c12b9>.\*

*Primary Examiner* — Sheryl Lane

*Assistant Examiner* — Nicole C Shiflet

(74) *Attorney, Agent, or Firm* — Workman Nydegger

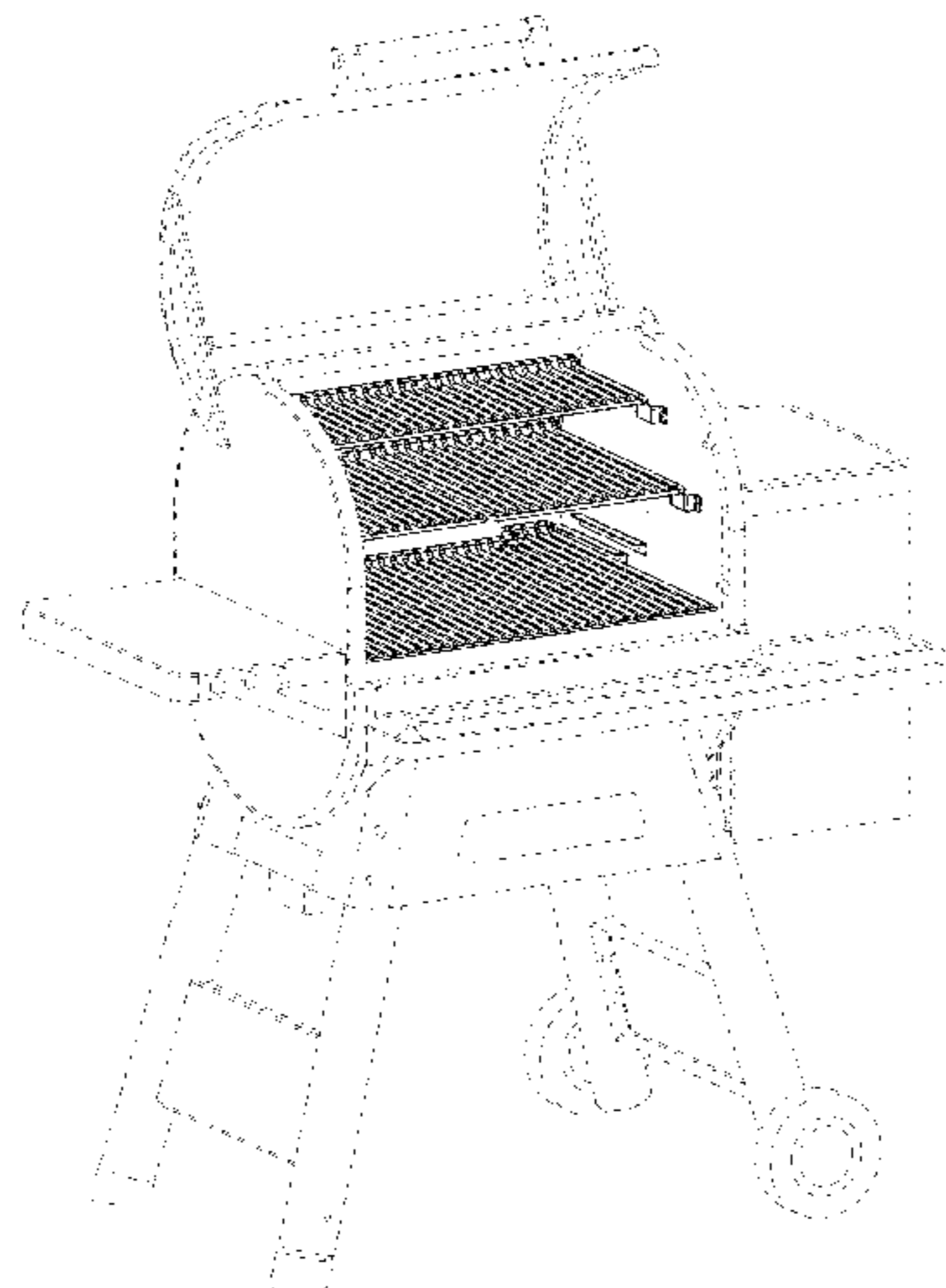
(57) **CLAIM**

The ornamental design for a three-tiered grill rack system, as shown and described.

**DESCRIPTION**

FIG. 1 is a front, left perspective view of my new design for a three-tiered grill rack system shown in a grilling environment; FIG. 2 is a top, left perspective view of the three-tiered grill rack system shown removed from the grilling environment; FIG. 3 is a rear, right perspective view thereof; FIG. 4 is a top plan view thereof; FIG. 5 is a bottom plan view thereof; FIG. 6 is a front elevation view thereof; FIG. 7 is a rear elevation view thereof; FIG. 8 is a right side elevation view thereof; FIG. 9 is a left side elevation view thereof; FIG. 10 is a top, left, perspective view of the top rack of the three-tiered grill rack system shown in FIGS. 1-9; FIG. 11 is a top, left, perspective view of the middle rack of the three-tiered grill rack system shown in FIGS. 1-9; and, FIG. 12 is a top, left, perspective view of the bottom rack of the three-tiered grill rack system shown in FIGS. 1-9. The broken lines in the drawings depict environmental subject matter only and form no part of the claimed design.

**1 Claim, 12 Drawing Sheets**



(56)

**References Cited**

U.S. PATENT DOCUMENTS

D457,753 S \* 5/2002 Tiemann ..... D7/409  
D484,737 S \* 1/2004 Bodum ..... D7/337  
6,810,792 B1 11/2004 Knight  
D534,755 S 1/2007 Knight  
D551,884 S \* 10/2007 Remmers ..... D6/705.6  
7,735,481 B1 \* 6/2010 Kalsi ..... F24C 15/16  
108/115  
D702,495 S \* 4/2014 Chung ..... D7/408  
D702,502 S \* 4/2014 Chung ..... D7/409  
2014/0216273 A1 \* 8/2014 Burch ..... 99/445

\* cited by examiner

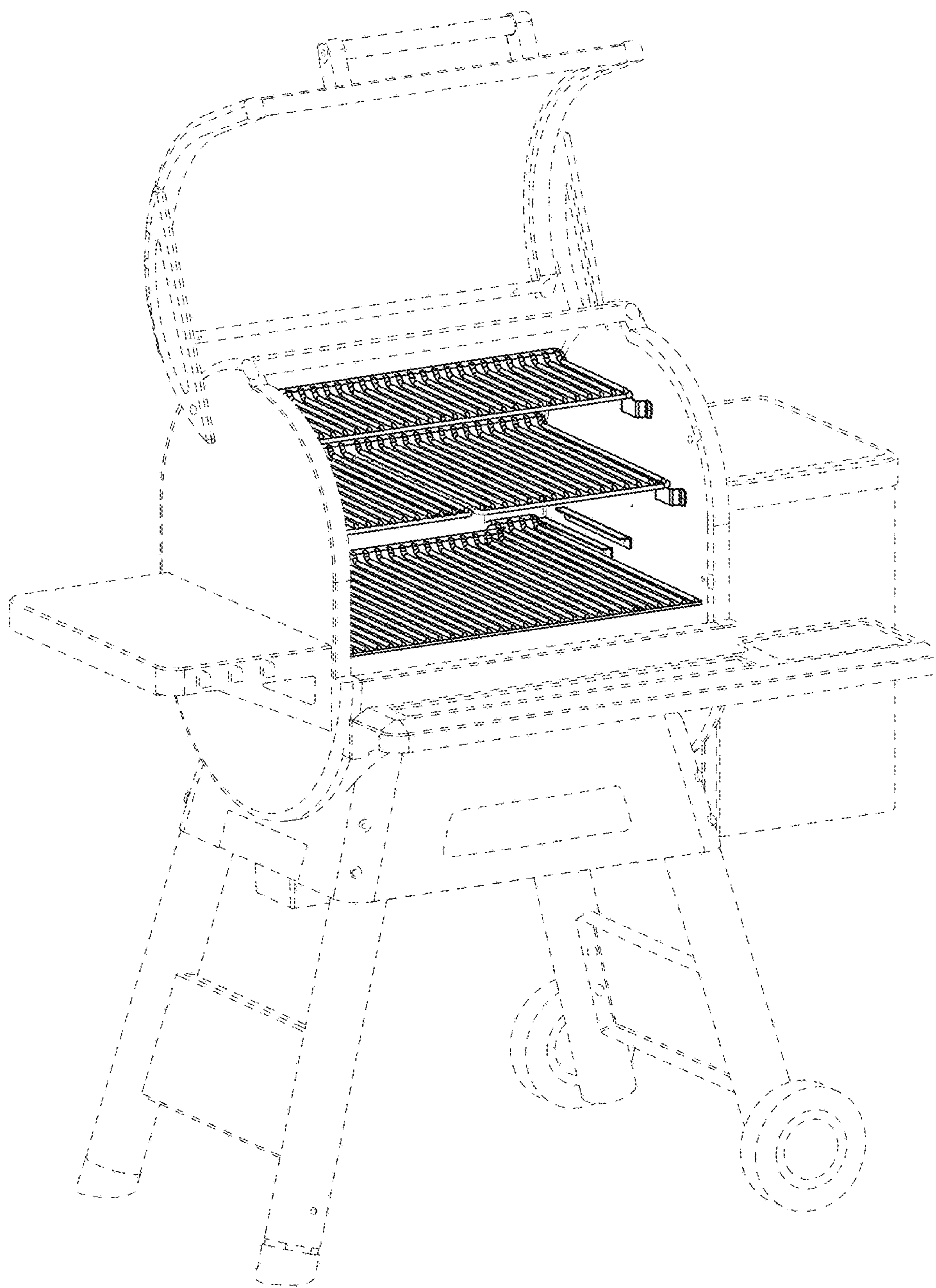


FIG. 1

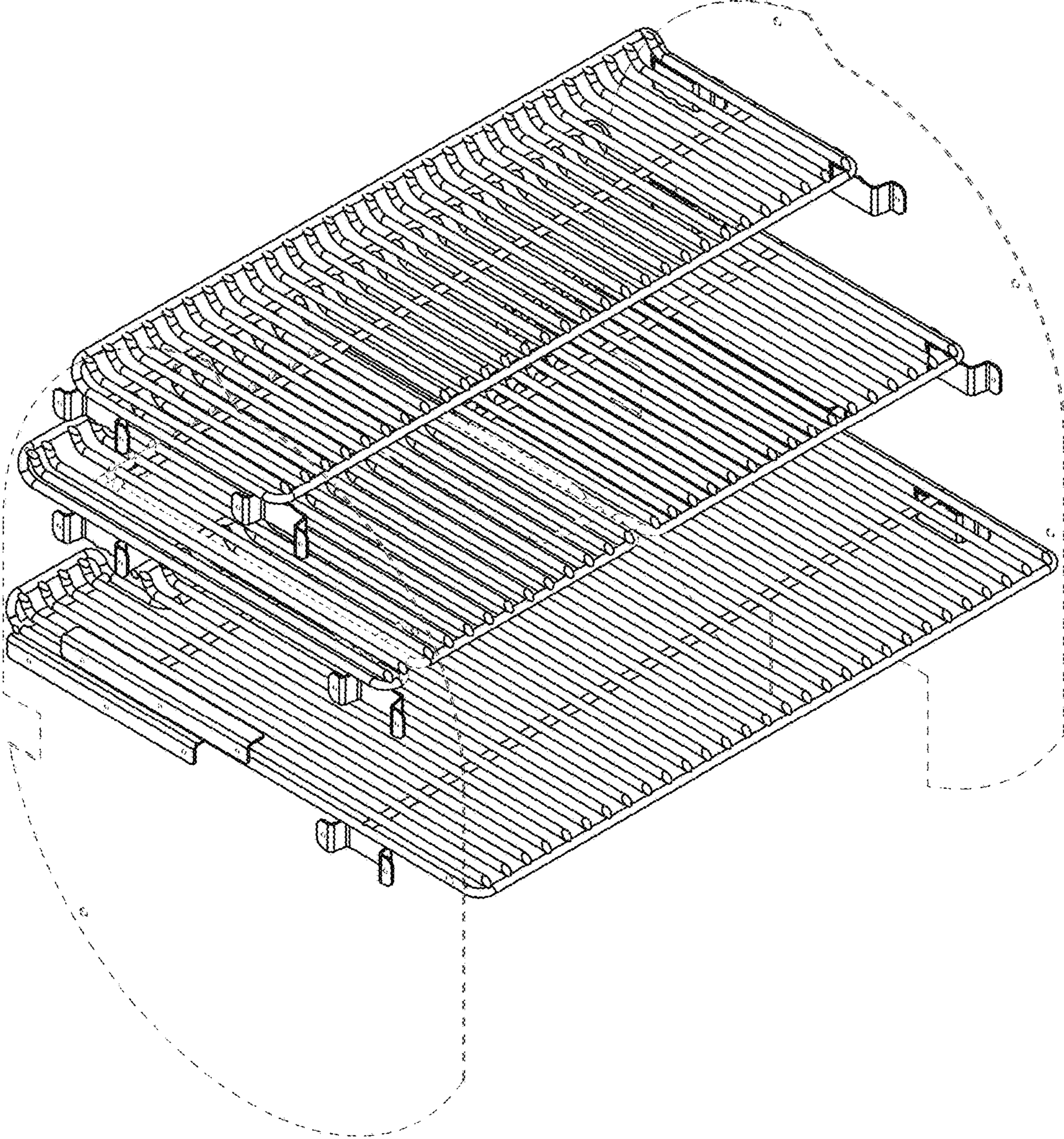


FIG. 2

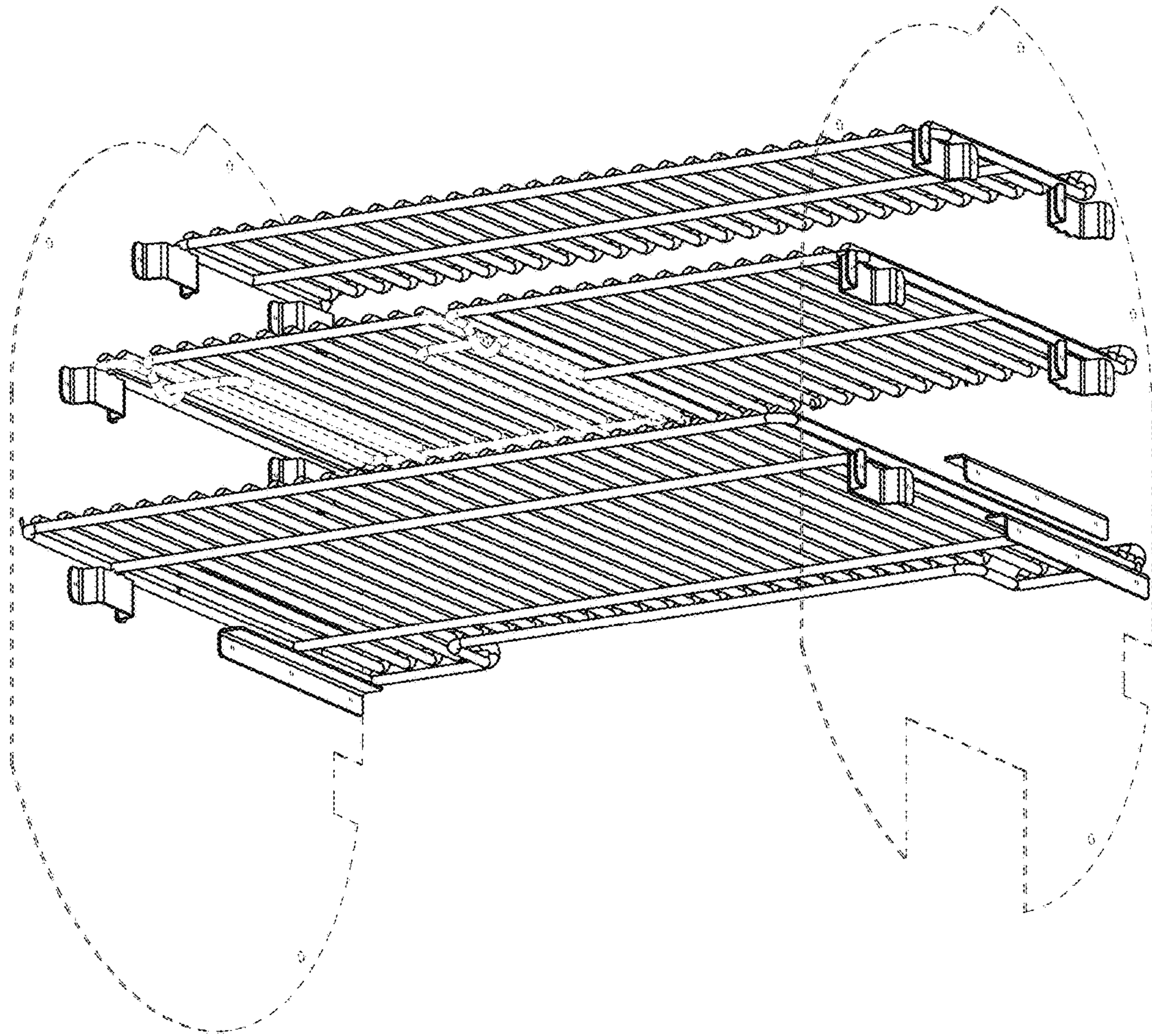


FIG. 3

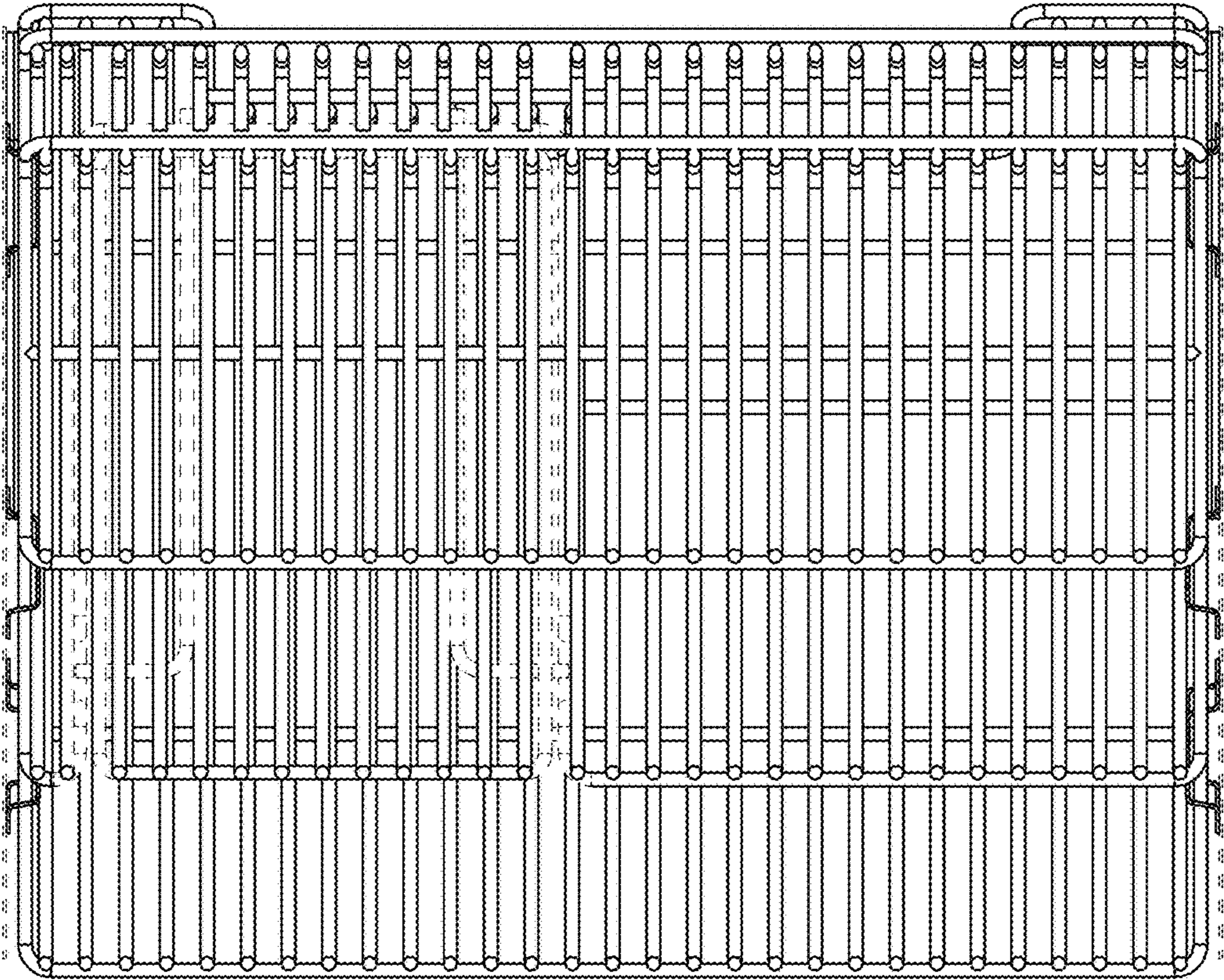


FIG. 4

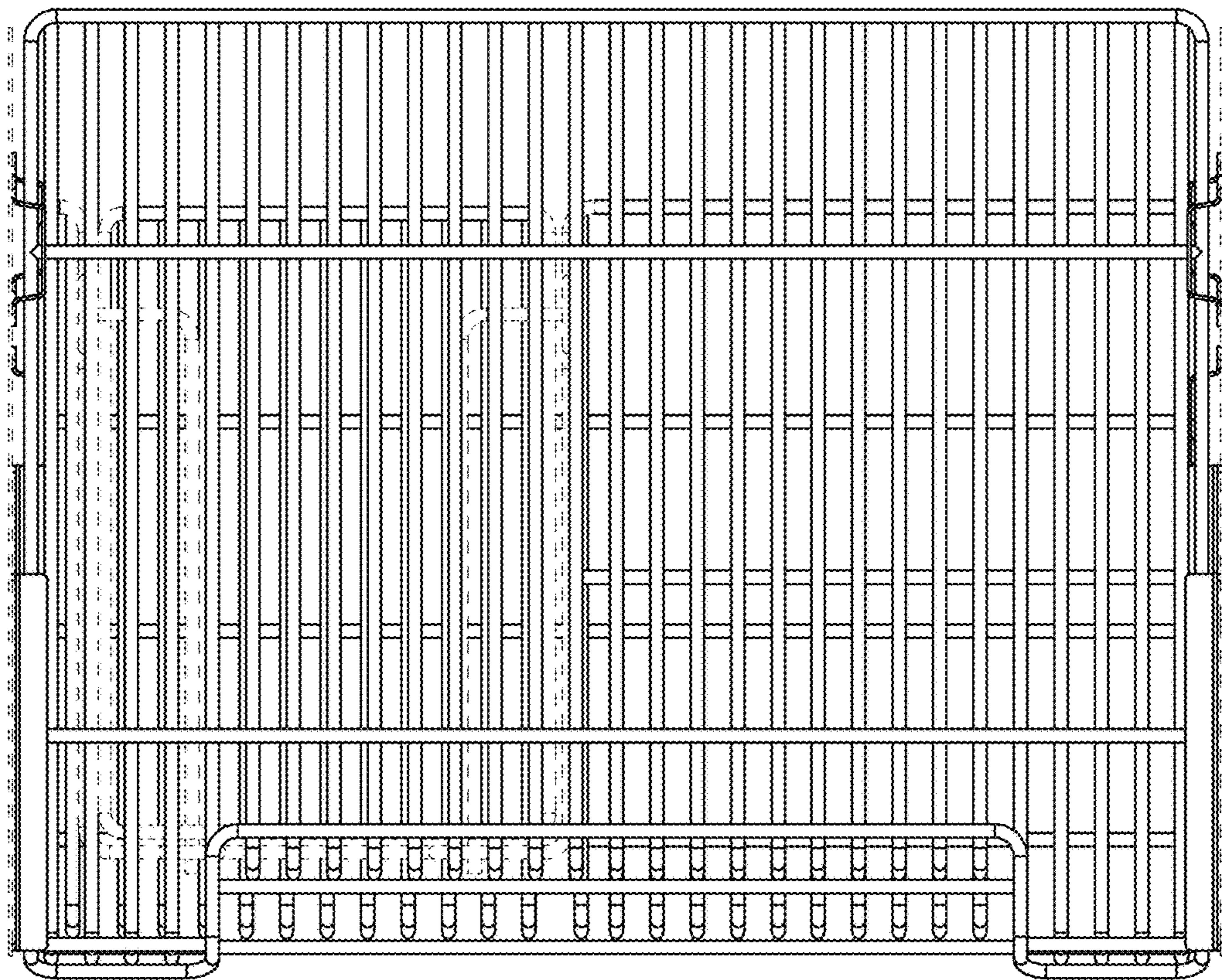


FIG. 5

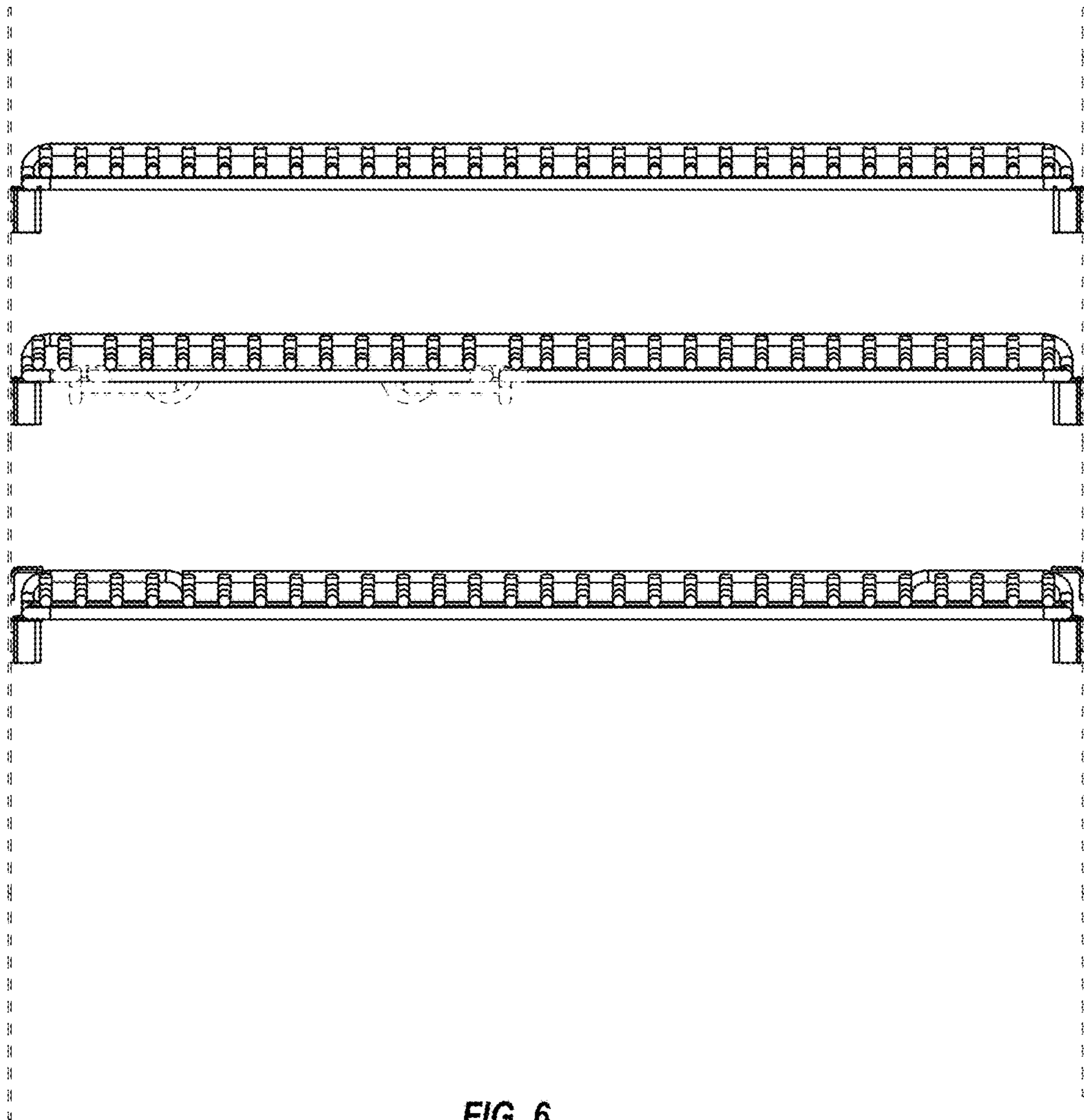


FIG. 6



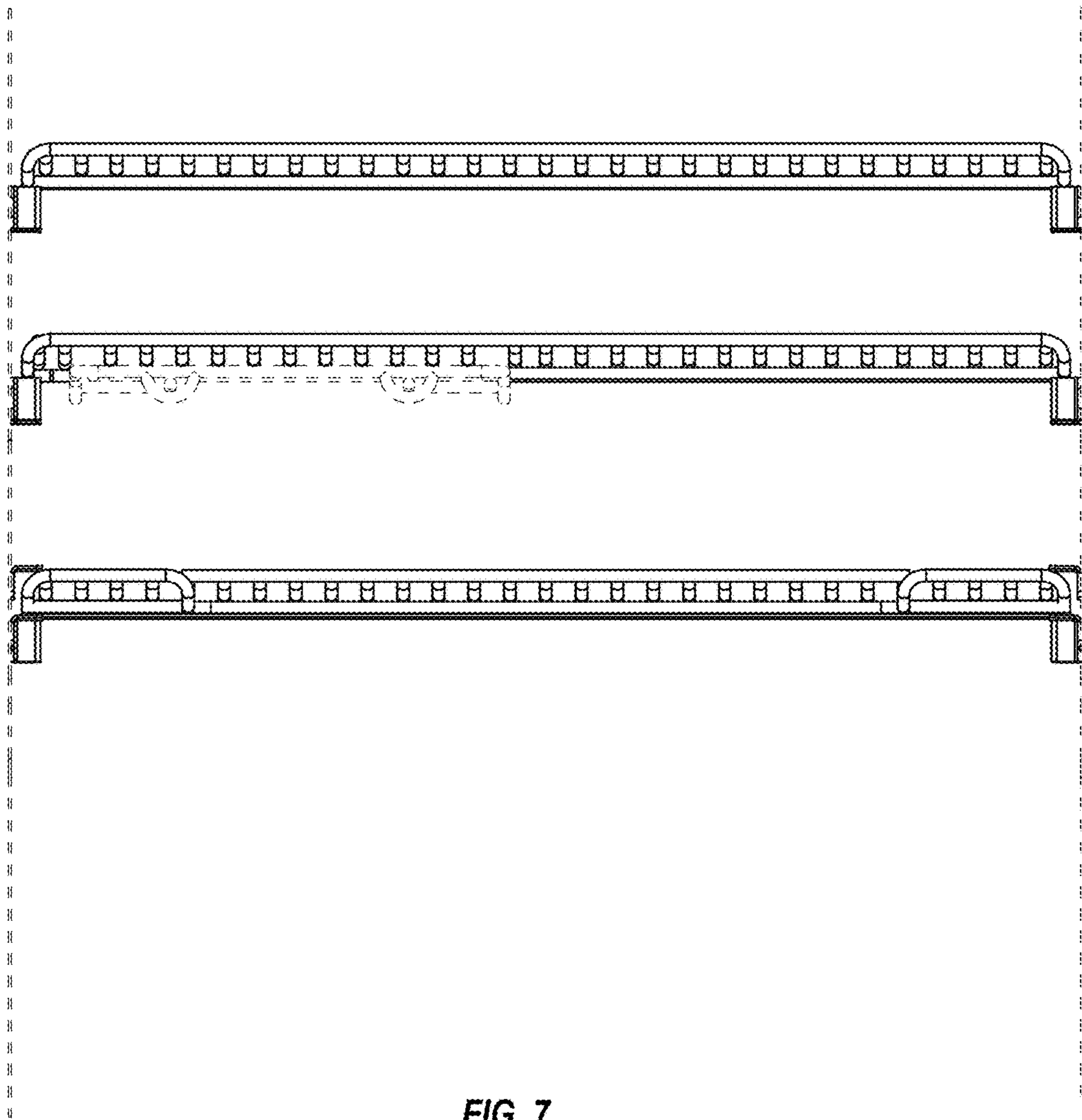


FIG. 7

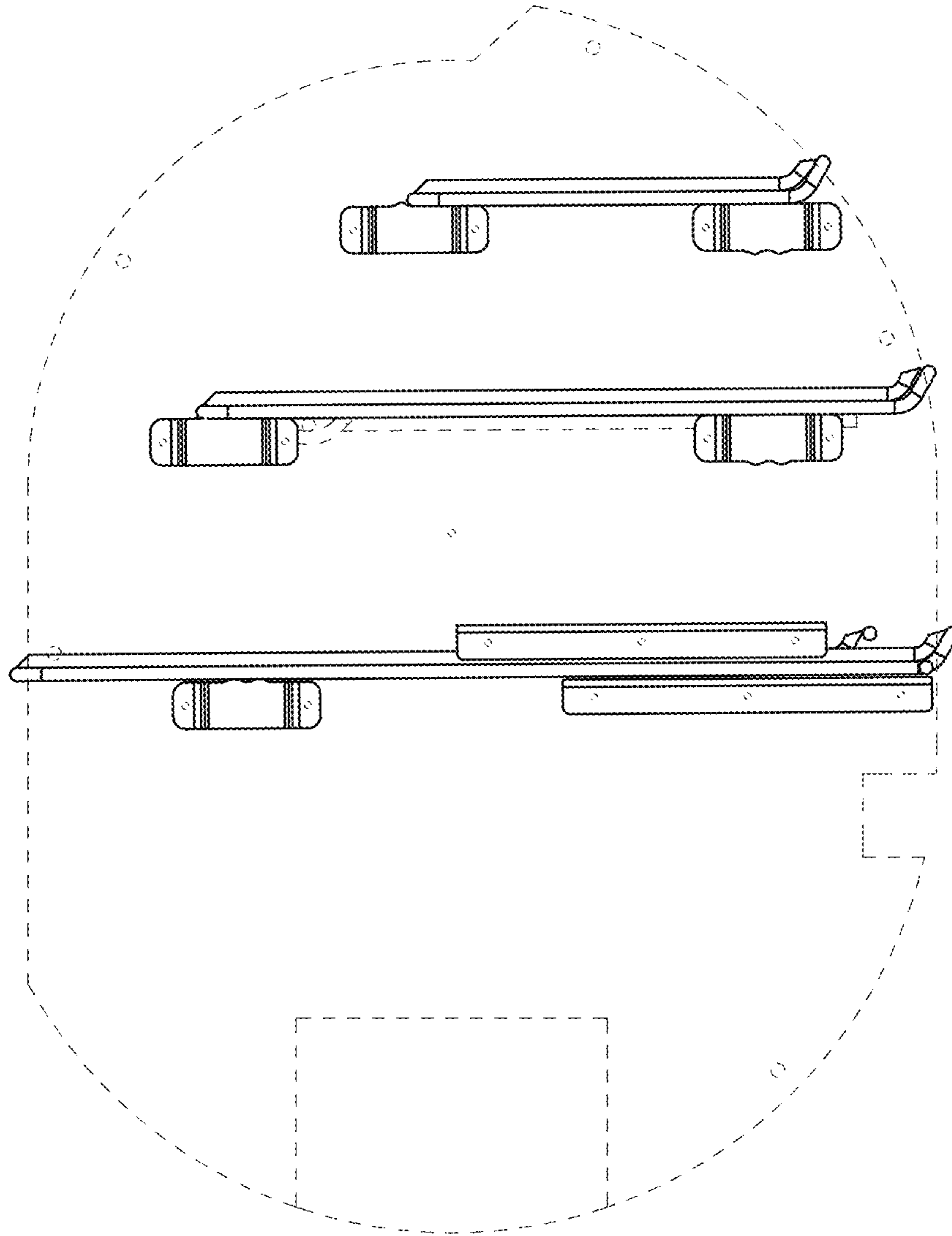


FIG. 8

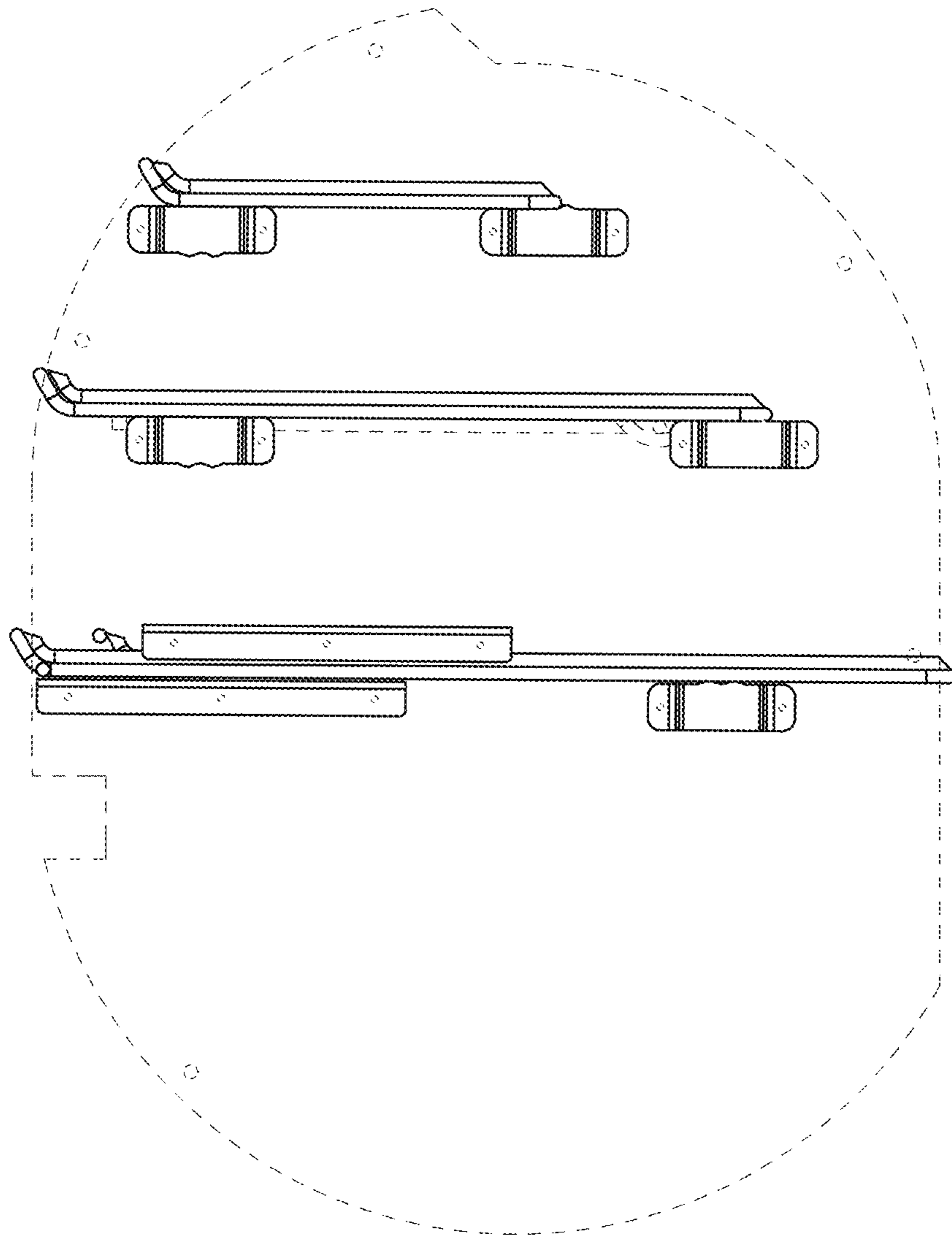


FIG. 9

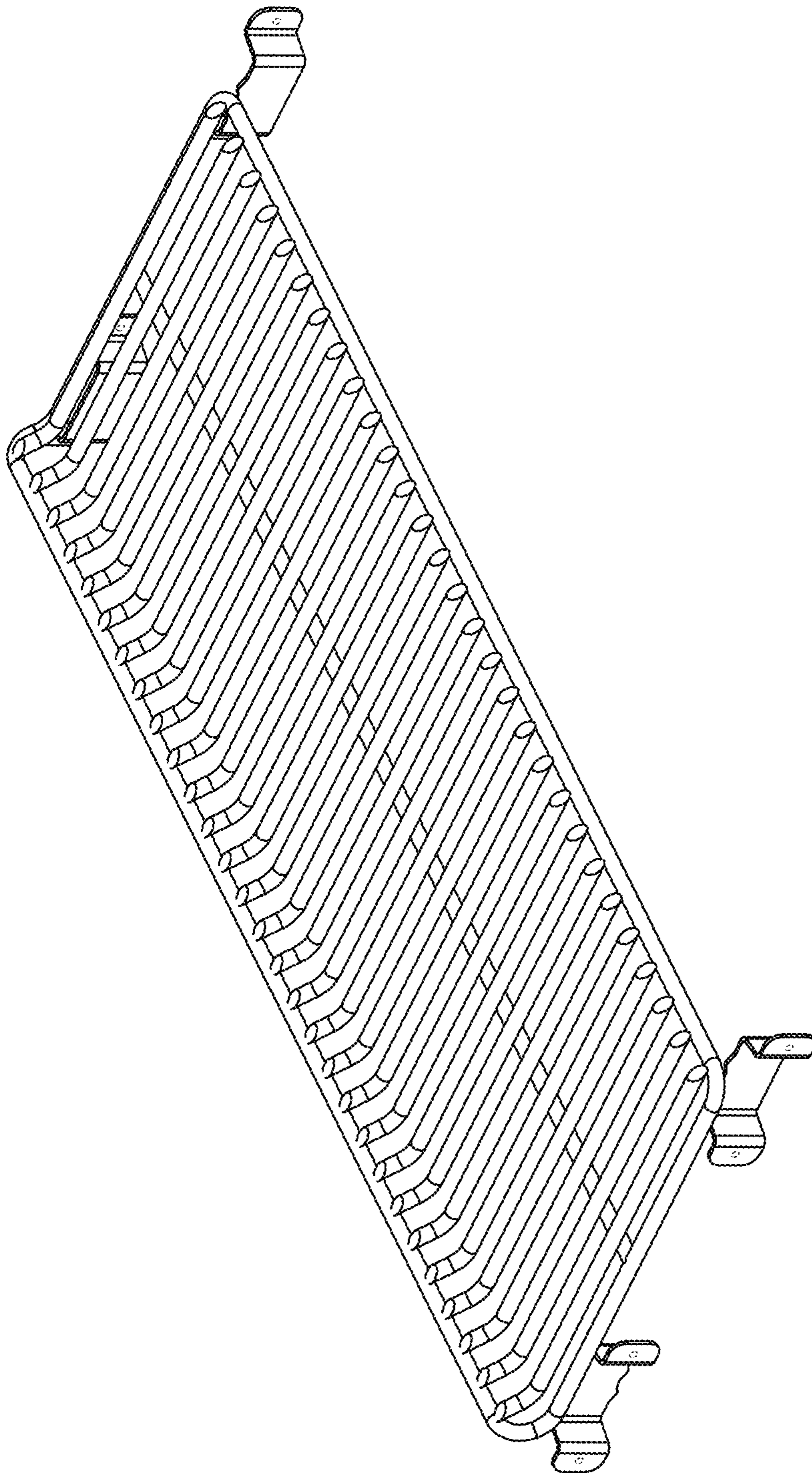


FIG. 10

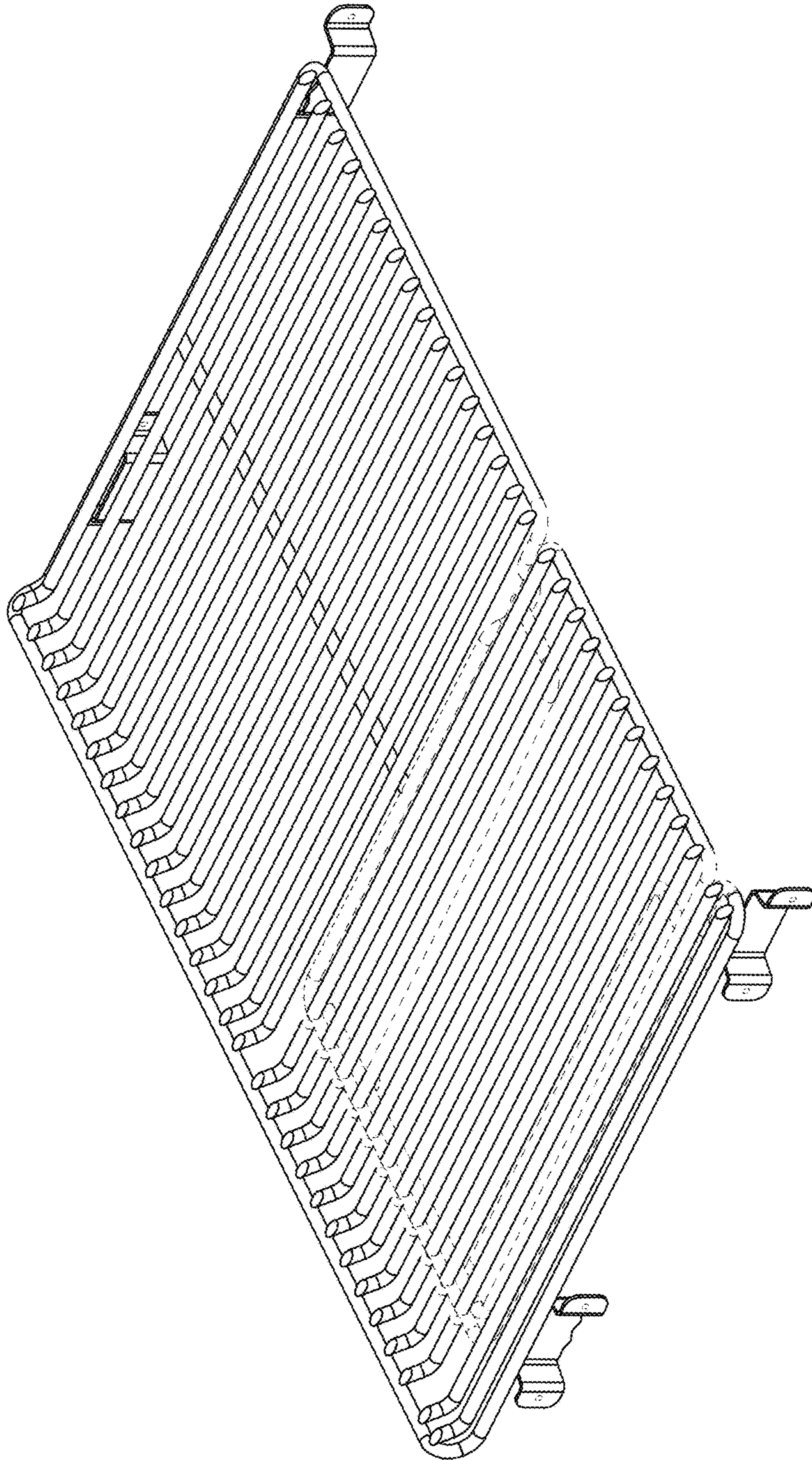


FIG. 11

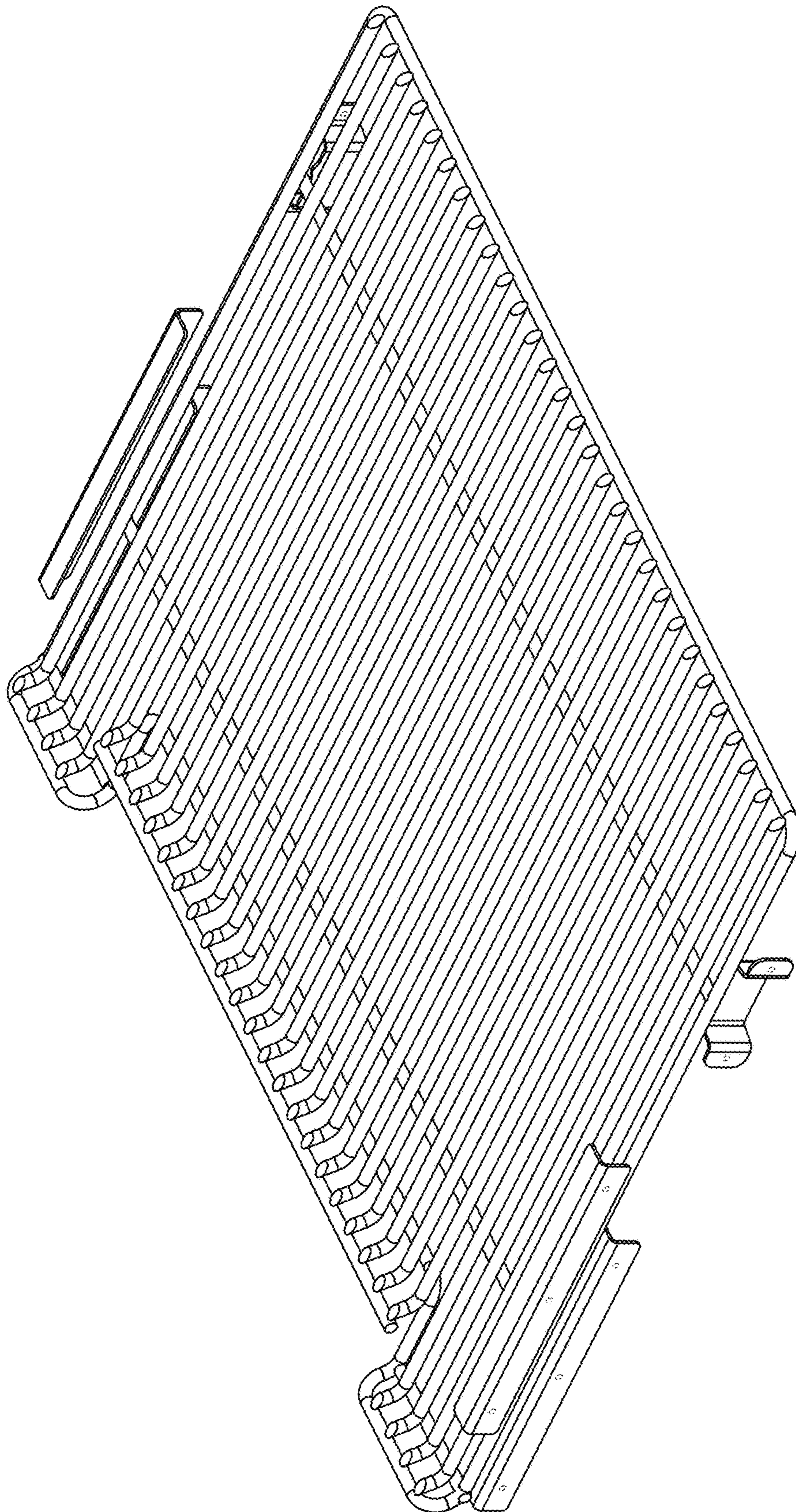


FIG. 12