



US00D827370S

(12) **United States Design Patent**
Colston

(10) **Patent No.:** **US D827,370 S**

(45) **Date of Patent:** **** Sep. 4, 2018**

(54) **GRILL WITH MODULAR COMPONENT**

D546,121 S * 7/2007 Hessen D7/405
D609,966 S * 2/2010 Bengtson D7/405
D798,662 S * 10/2017 Shoemaker D7/408

(71) Applicant: **Traeger Pellet Grills LLC,**
Wilsonville, OR (US)

(72) Inventor: **Michael Colston,** Salt Lake City, UT
(US)

(73) Assignee: **Traeger Pellet Grills, LLC,** Salt Lake
City, UT (US)

(**) Term: **15 Years**

(21) Appl. No.: **29/539,831**

(22) Filed: **Sep. 17, 2015**

(51) **LOC (11) Cl.** **07-02**

(52) **U.S. Cl.**
USPC **D7/406**

(58) **Field of Classification Search**
USPC D7/402-409, 332-337, 323
CPC A47J 37/07; A47J 37/0704; A47J 37/0763;
A47J 37/0709; A47J 37/0713
See application file for complete search history.

(56) **References Cited**

U.S. PATENT DOCUMENTS

D159,241 S * 7/1950 Walker D7/406
D161,055 S * 11/1950 Sandin D7/406
D164,925 S * 10/1951 Hitchcock D7/406
D175,111 S * 7/1955 Janes et al. D7/406
D179,925 S * 3/1957 Titus, Jr. D7/406
D180,626 S * 7/1957 Sundberg 126/214 B
5,483,947 A * 1/1996 Giebel A47J 37/0704
126/25 R
D448,975 S * 10/2001 Wagner D7/402
6,810,792 B1 11/2004 Knight
D534,755 S 1/2007 Knight

OTHER PUBLICATIONS

Traeger Timberline 1300, by John R. Delaney, PC Mag [online],
published Aug. 4, 2017, [retrieved on Jan. 2, 2018]. Retrieved from
the Internet, URL: <https://www.pcmag.com/review/355354/traeger-timberline-1300>.*

* cited by examiner

Primary Examiner — Sheryl Lane

Assistant Examiner — Nicole D Shiflet

(74) *Attorney, Agent, or Firm* — Workman Nydegger

(57) **CLAIM**

The ornamental design for a grill with modular component,
as shown and described.

DESCRIPTION

FIG. 1 is a front, left perspective view of my new design for
a grill with modular component shown in a grilling envi-
ronment;

FIG. 2 is a top, right perspective view of the grill with
modular component shown removed from the grilling envi-
ronment;

FIG. 3 is a top plan view thereof;

FIG. 4 is a bottom plan view thereof;

FIG. 5 is a front elevation view thereof;

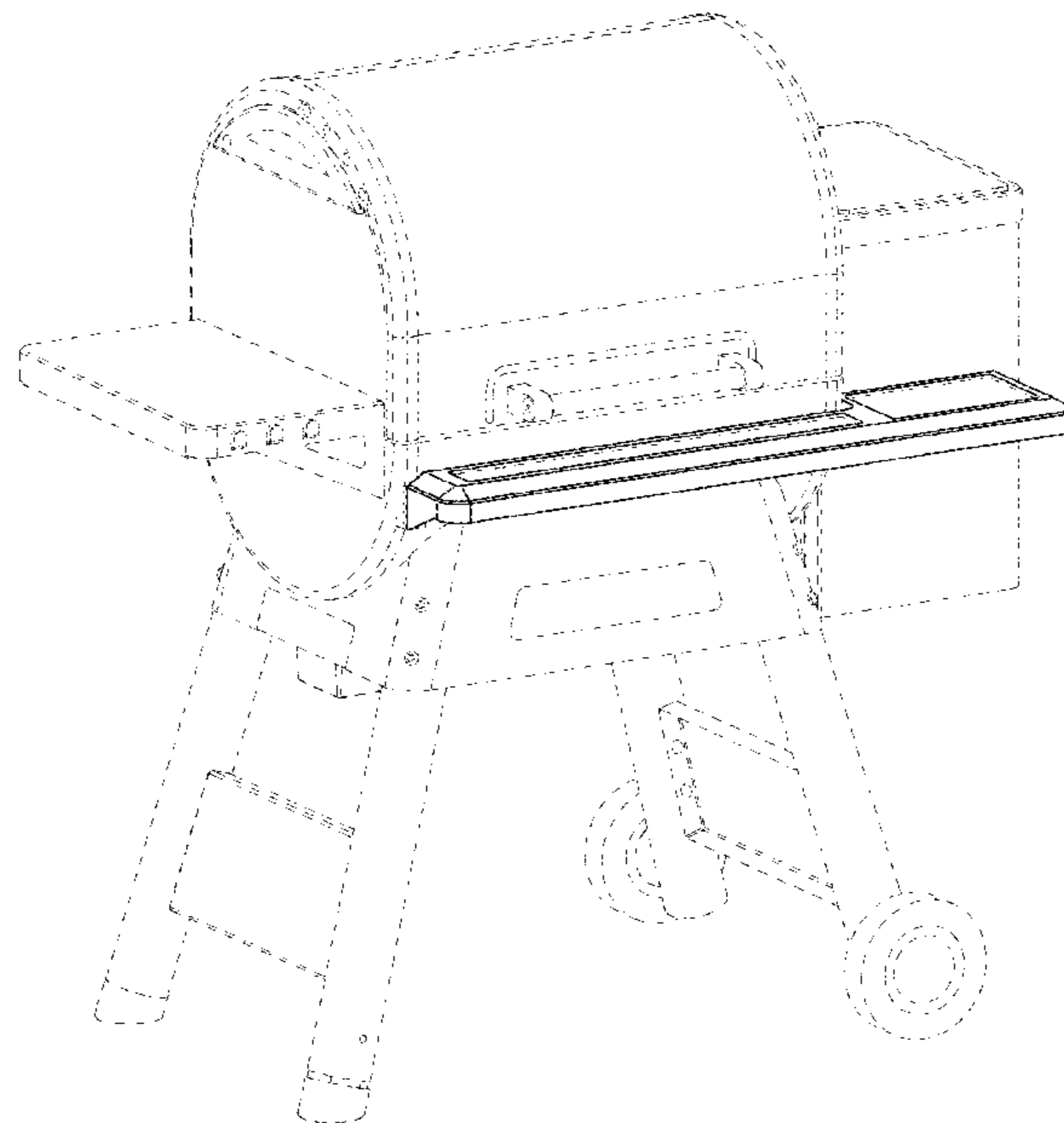
FIG. 6 is a rear elevation view thereof;

FIG. 7 is a left side elevation view thereof; and,

FIG. 8 is a right side elevation view thereof.

The broken lines in the drawings depict environmental
subject matter only and form no part of the claimed design.

1 Claim, 5 Drawing Sheets



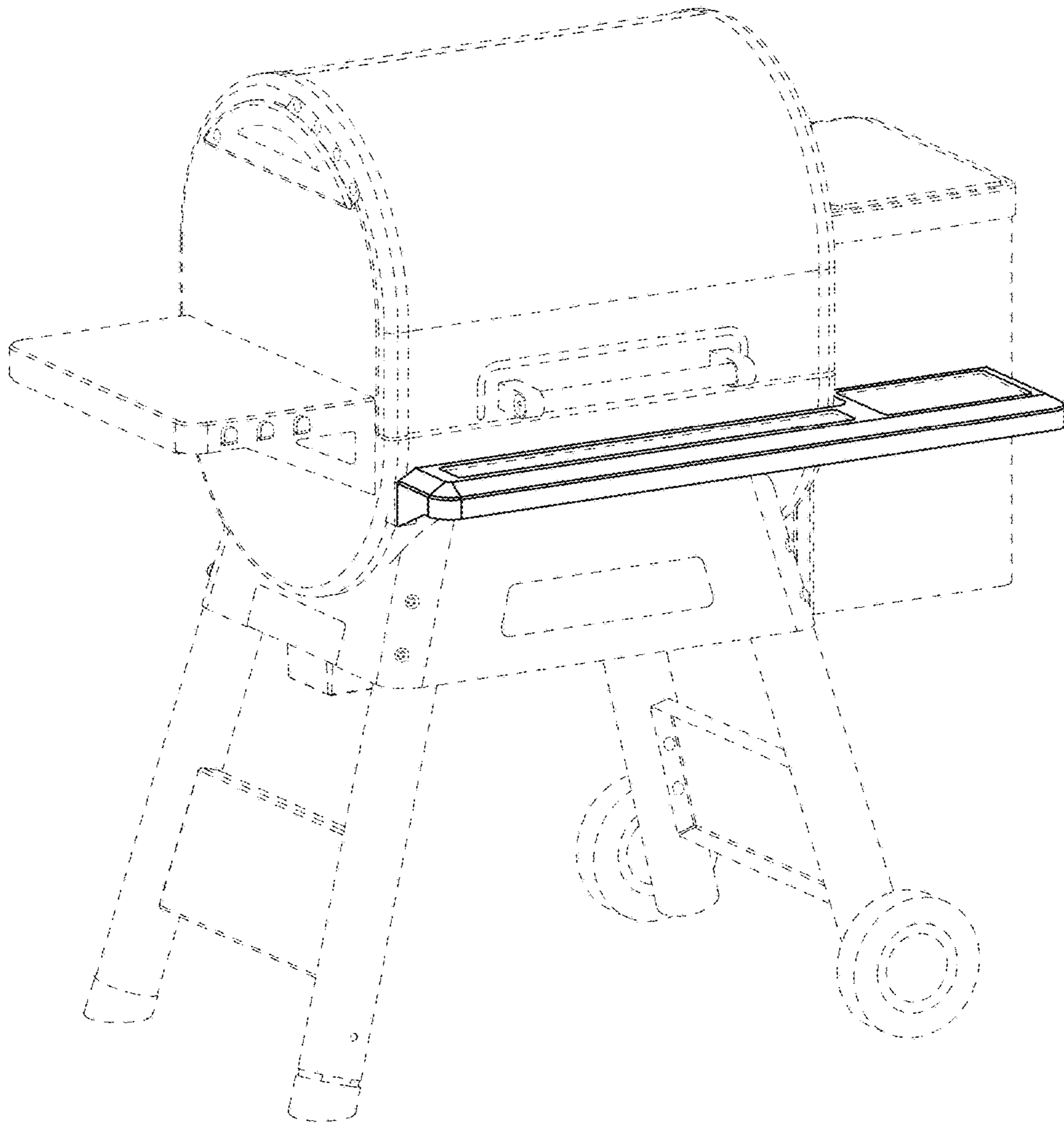


FIG. 1

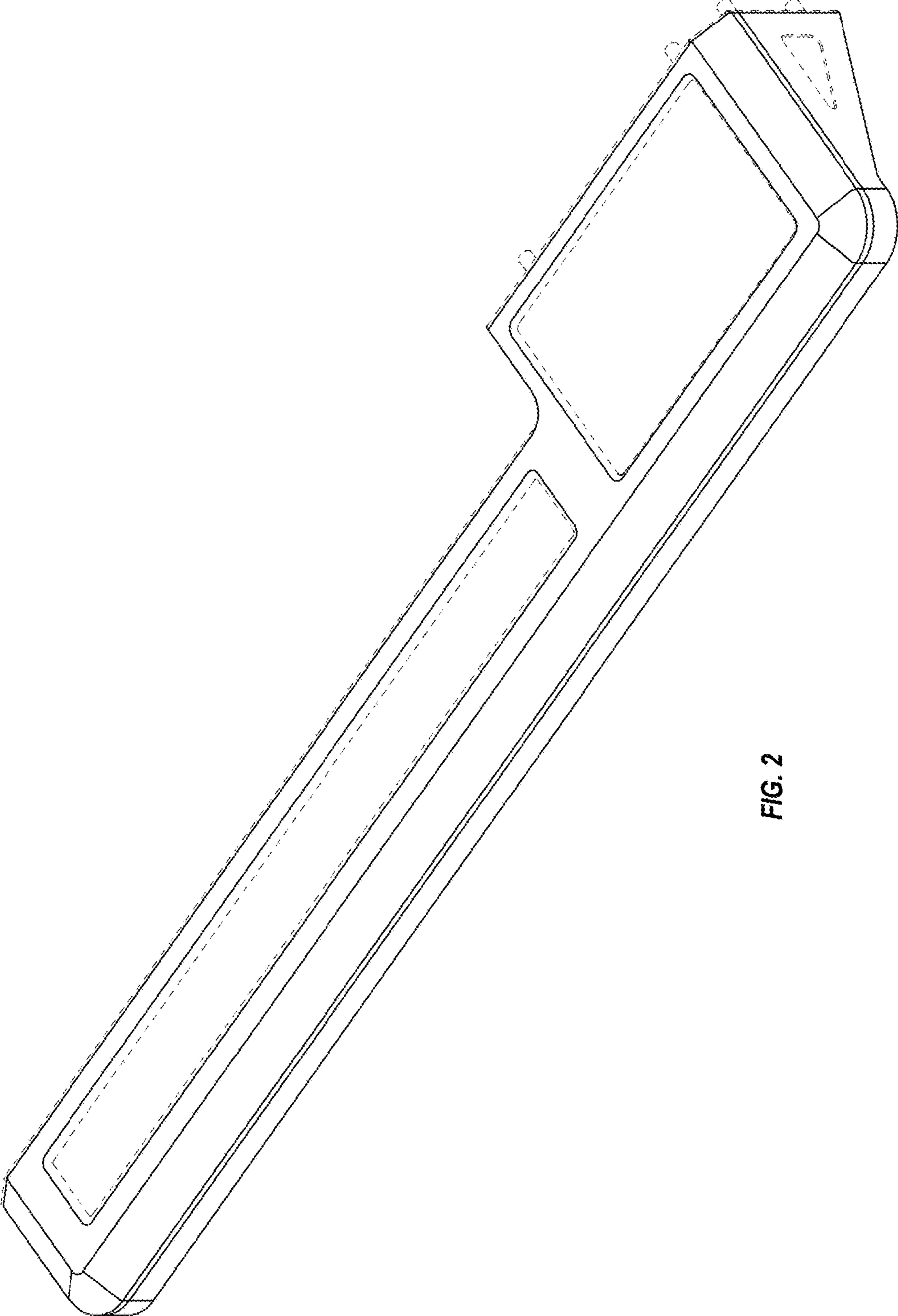


FIG. 2

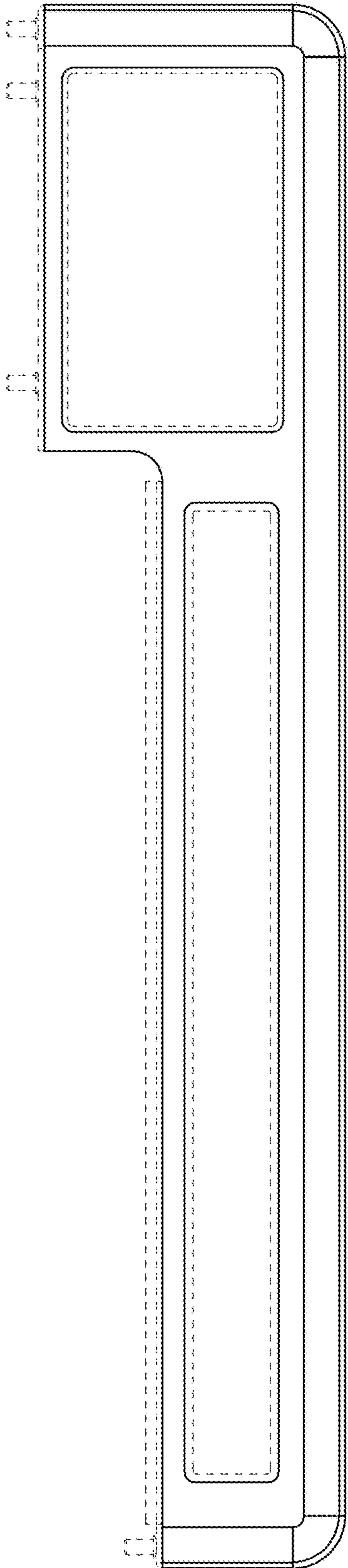


FIG. 3

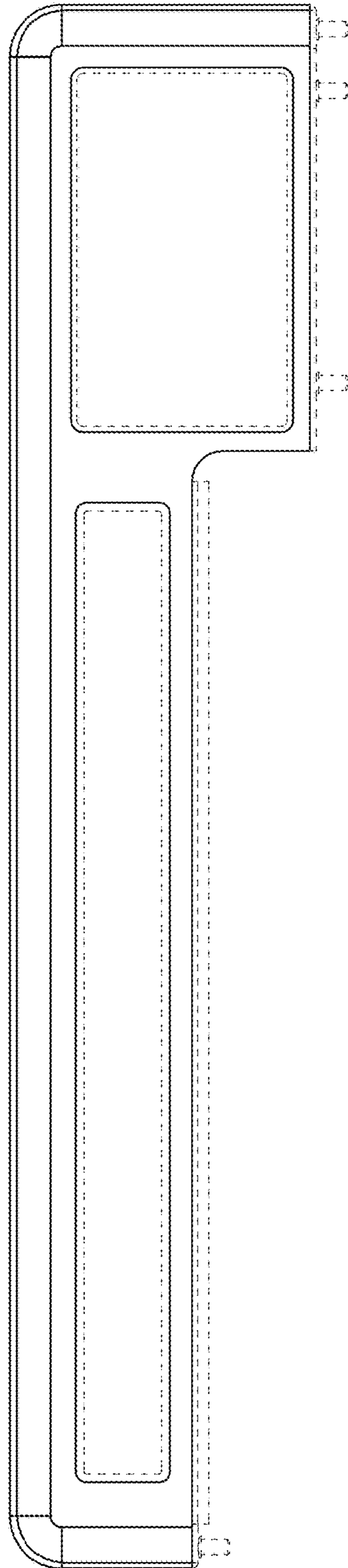


FIG. 4

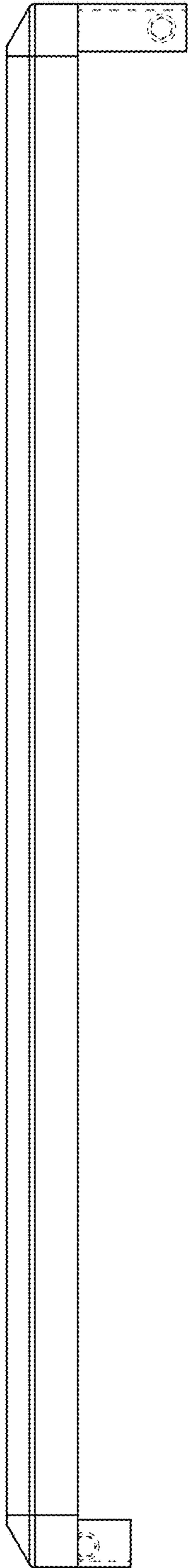


FIG. 5

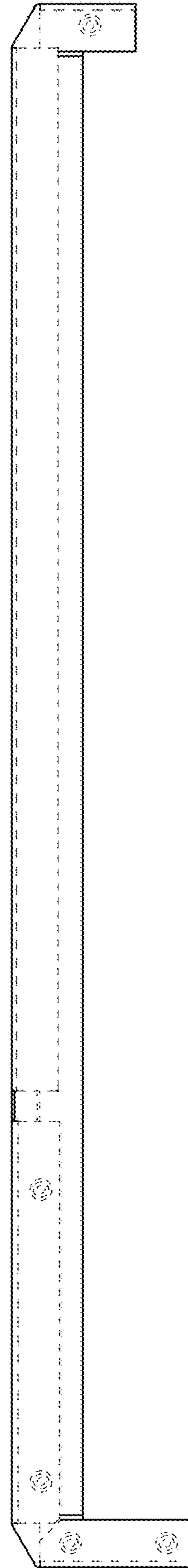


FIG. 6

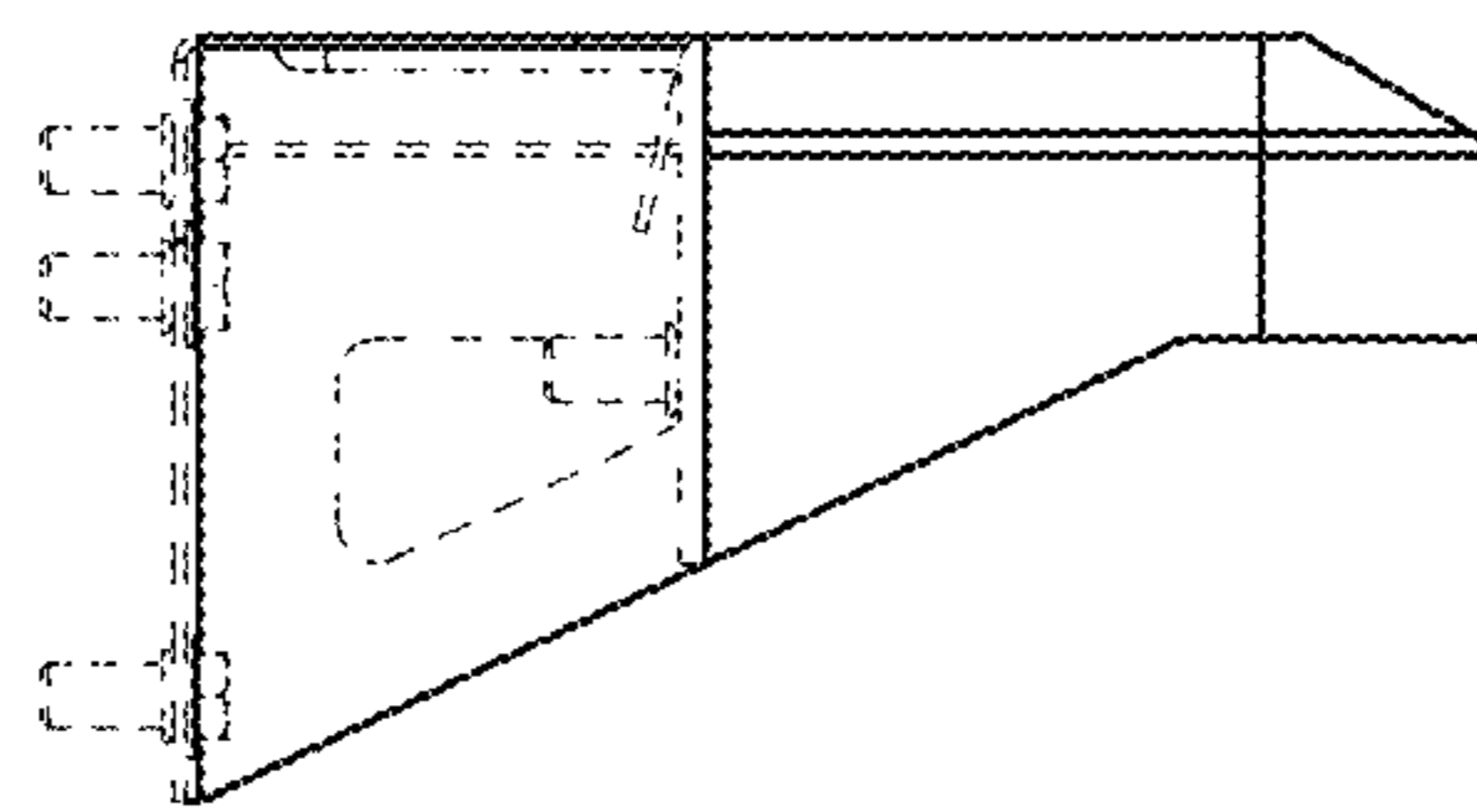


FIG. 7

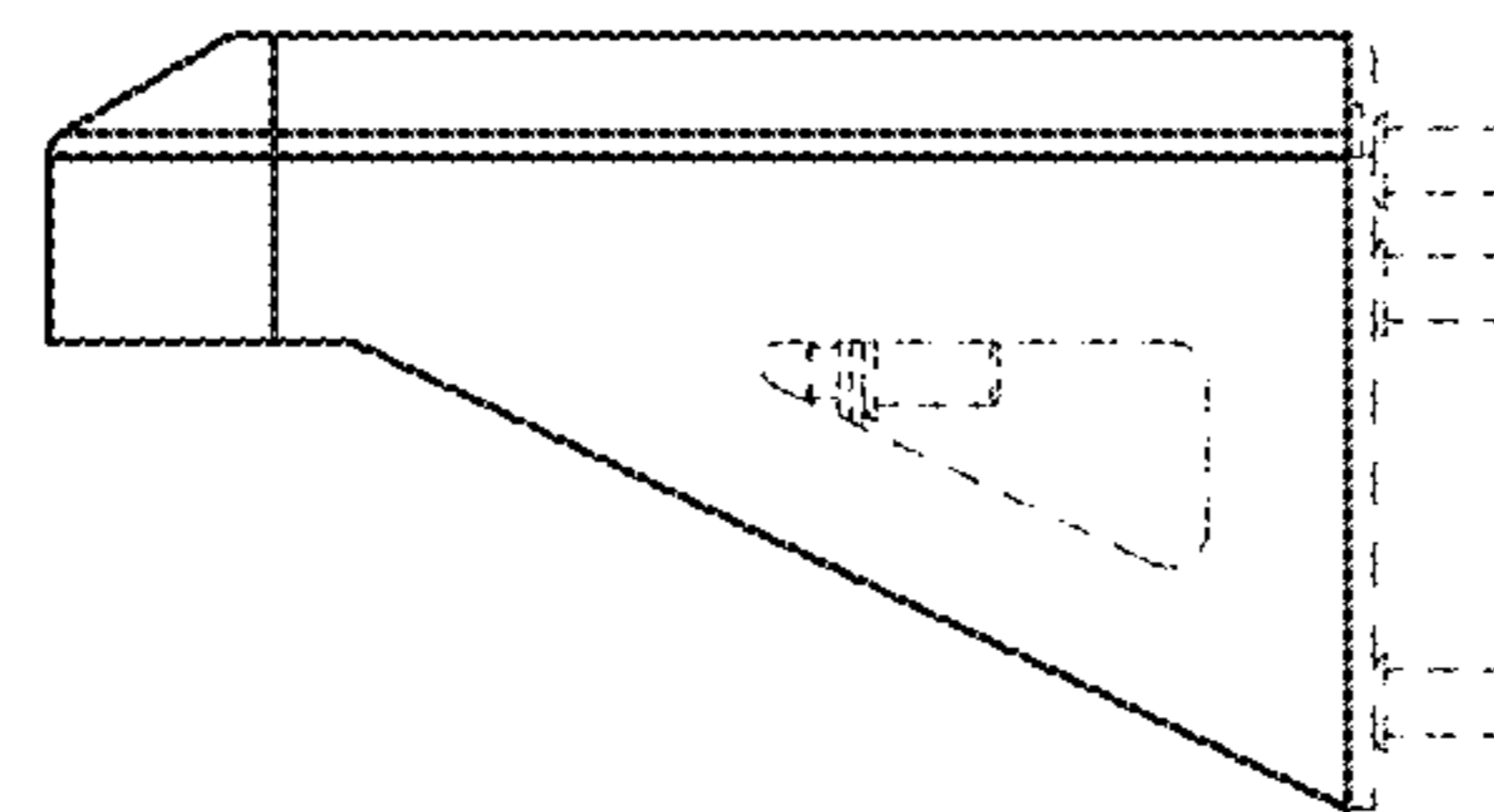


FIG. 8