



US00D827368S

(12) **United States Design Patent** (10) **Patent No.:** **US D827,368 S**  
**Colston** (45) **Date of Patent:** **\*\* Sep. 4, 2018**

(54) **GRILL HANDLE TOWEL BAR ASSEMBLY**

FOREIGN PATENT DOCUMENTS

(71) Applicant: **Traeger Pellet Grills LLC**,  
Wilsonville, OR (US)

CA 70139 2/1992  
CA 112390 1/2007

(Continued)

(72) Inventor: **Michael Colston**, Salt Lake City, UT  
(US)

OTHER PUBLICATIONS

(73) Assignee: **Traeger Pellet Grills, LLC**, Salt Lake  
City, UT (US)

<http://www.homedepot.com/p/Franklin-Brass-Futura-24-in-Towel-Bar-in-Polished-Chrome-D2424PC/100388815>; Home Depot; Franklin Brass, Futura 24 in. Towel Bar in Polished Chrome; Sep. 6, 2015.

(\*\*) Term: **15 Years**

(Continued)

(21) Appl. No.: **29/539,828**

(22) Filed: **Sep. 17, 2015**

*Primary Examiner* — Susan Bennett Hattan

*Assistant Examiner* — Brett Miller

(51) **LOC (11) Cl.** ..... **07-02**

(74) *Attorney, Agent, or Firm* — Workman Nydegger

(52) **U.S. Cl.**

USPC ..... **D7/402**; D8/316

(58) **Field of Classification Search**

(57) **CLAIM**

USPC ..... D7/332–337, 402–411, 352, 353, 393;  
126/152 R, 25 R; D6/549, 523, 524;  
D23/304; D15/89; D32/3; D8/315–320

The ornamental design for a grill handle towel bar assembly, as shown and described.

CPC .. A47J 37/067; A47J 37/0694; A47J 37/0786;  
A47J 37/0704; A47J 37/0713; A47J  
37/0781; A47J 37/0777; A47J 37/0763;  
A47J 37/0611; A47J 37/0709; A47J  
37/0676; F24C 15/16

**DESCRIPTION**

See application file for complete search history.

FIG. 1 is a front, left perspective view of my new design for a grill handle towel bar assembly shown in a grilling environment;  
FIG. 2 is a top, right perspective view of the grill handle towel bar assembly of FIG. 1;  
FIG. 3 is a front elevation view thereof;  
FIG. 4 is a rear elevation view thereof;  
FIG. 5 is a top plan view thereof;  
FIG. 6 is a bottom plan view thereof;  
FIG. 7 is a left side elevation view thereof;  
FIG. 8 is a right side elevation view thereof; and,  
FIG. 9 is a top, front, left perspective exploded view thereof. The broken lines in the drawings depict environmental subject matter only and form no part of the claimed design.

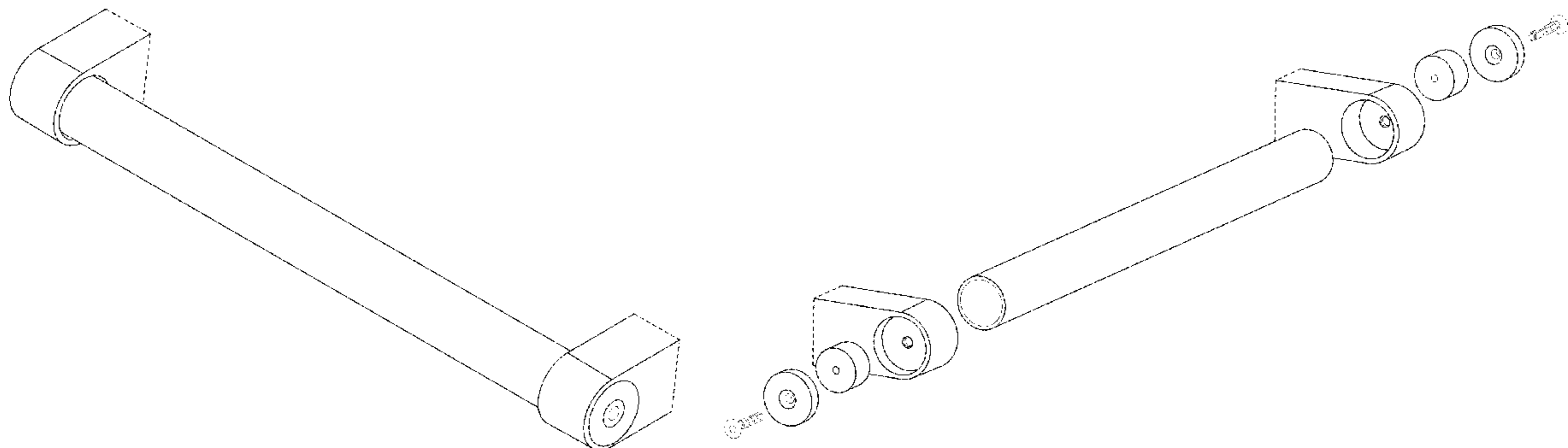
(56) **References Cited**

U.S. PATENT DOCUMENTS

2,374,787 A 5/1945 Spiegel et al.  
D179,940 S \* 3/1957 Gulliksen ..... D8/319  
D254,461 S 3/1980 Raymond  
D258,228 S \* 2/1981 Rumbaugh ..... D8/316  
D270,433 S 9/1983 Sun  
D271,658 S 12/1983 Legerius et al.  
D274,123 S \* 6/1984 Tegner ..... D8/316  
D334,315 S \* 3/1993 Bengtson ..... D23/304  
5,860,538 A 1/1999 Duero  
5,887,200 A 3/1999 Aoyama

(Continued)

**1 Claim, 6 Drawing Sheets**



(56)

References Cited

U.S. PATENT DOCUMENTS

D433,141 S 10/2000 Nash et al.  
 D433,144 S 10/2000 Park  
 D455,034 S \* 4/2002 Ou-Young ..... D6/523  
 D469,185 S 1/2003 Lodge  
 6,810,792 B1 11/2004 Knight  
 D516,350 S 3/2006 Chen  
 D516,368 S 3/2006 Zhang  
 D525,829 S 8/2006 Chung  
 D534,755 S 1/2007 Knight  
 D546,619 S \* 7/2007 McHutchison ..... D7/352  
 D549,038 S 8/2007 Chung  
 D564,729 S 3/2008 Fisher  
 D568,100 S \* 5/2008 Jeon ..... D7/402  
 D572,109 S 7/2008 Busalt et al.  
 D572,111 S 7/2008 Busalt  
 D586,448 S \* 2/2009 Lammel ..... D23/304  
 D611,292 S 3/2010 Chung  
 D618,036 S 6/2010 Chung  
 D654,311 S \* 2/2012 Benold ..... D7/402  
 9,089,245 B1 7/2015 Pamphilis  
 D745,362 S \* 12/2015 Grasselli ..... D8/315  
 D758,827 S 6/2016 Grasselli  
 D764,230 S \* 8/2016 Shoemaker ..... D7/405  
 D781,642 S \* 3/2017 Incukur ..... D7/393  
 D785,366 S \* 5/2017 Andrew ..... D6/549  
 D791,418 S \* 7/2017 Warren ..... D32/3  
 D796,250 S 9/2017 Chung  
 D802,353 S 11/2017 Chung  
 2005/0284590 A1 12/2005 Mariconti  
 2007/0017384 A1 \* 1/2007 Serra ..... A47J 37/0611  
 99/372  
 2008/0121598 A1 5/2008 Brinson  
 2009/0236299 A1 9/2009 Hall  
 2009/0308260 A1 \* 12/2009 Trost ..... A47J 37/0611  
 99/349  
 2016/0081519 A1 3/2016 Manko

FOREIGN PATENT DOCUMENTS

CA 113271 2/2007  
 CA 121566 3/2009  
 CA 151895 2/2015  
 CN 202179490 4/2012  
 CN 202179491 4/2012  
 CN 201330053210 8/2013  
 DE 36399965 9/1987  
 DE M9107853-0006 5/1992  
 DE M9207084-0022 7/1993  
 DE M9309983-0002 7/1994  
 DE M9400240-0016 7/1994  
 DE M9400134-001 8/1994  
 DE M9400134-0003 8/1994  
 DE M9704177-0032.1 10/1997  
 DE M9704177-0035.1 10/1997  
 DE M9704177-0036.1 10/1997  
 DE M9704790-0018 12/1997  
 DE M9705758-0001.1 12/1997  
 DE M9801713.0001.1 10/1998  
 DE M9806095-0005 1/1999  
 DE 49809674-0007 5/1999  
 DE 49904101-0008.1 8/1999  
 DE 49904101-0009.1 8/1999  
 DE 49904101-0015.1 8/1999  
 DE 49904356-0002.1 11/1999  
 DE DM/048593 12/1999  
 DE 49908015-0005.1 1/2000  
 DE 40002388-0002.1 7/2000  
 DE 49907614-0019.1 8/2000  
 DE 40008059-0011.1 4/2001  
 DE 40006705-0012.1 5/2001  
 DE 40101468-0008.1 9/2001  
 DE 40101468-0011.1 9/2001  
 DE 40101379-0005.1 2/2002  
 DE 40101379-0006.1 2/2002

DE 40104477-0046.1 2/2002  
 DE 40201060-0023 7/2002  
 DE 499076414-0016.1 8/2002  
 DE 40201262-0011.1 10/2002  
 DE 40205869-0040.1 11/2002  
 DE 40205869-0041.1 11/2002  
 DE 40205869-0042.1 11/2002  
 DE 40205869-0043.1 11/2002  
 DE 40302619-0010.1 11/2003  
 DE 000303706-0014 5/2005  
 DE DM/066389 8/2005  
 DE 000514765-0005 6/2006  
 DE 000148242-0005 8/2006  
 DE 40706296-0006 6/2008  
 DE 402008001567-0008 7/2008  
 DE 202010009932 10/2010  
 DE 001223739-0025 12/2010  
 DE 001831710-0012 3/2011  
 DE 402011005347-0018 1/2012  
 DE 001223739-0022 1/2013  
 DE 402012005581-0014 4/2013  
 DE 002200527-0025 5/2013  
 DE 402014000227-0007 3/2014  
 DE 402014001067-0003 5/2014  
 DE 402014001067-0004 5/2014  
 DE 402015200850-0001 5/2015  
 DE 402015200850-0002 5/2015  
 DE 402015200850-0003 5/2015  
 DM 065312 5/2004  
 DM 067435 2/2006  
 EM 000514765-0001 6/2006  
 EM 000514765-0003 6/2006  
 EM 000563804-0008 8/2006  
 EM 000662895-0003 3/2007  
 EM 000798384-0002 11/2007  
 EM 000856984-0031 2/2008  
 EM 001019095-0002 11/2008  
 EM 001895103-0004 7/2011  
 EM 002589747-0004 12/2014  
 EM 002589747-0005 12/2014  
 ES 10148775-0001 1/2001  
 ES D0501475 8/2005  
 ES D0506386-0012 8/2008  
 JP 1201276 2/2004  
 JP 2004251301 9/2004  
 JP 2008119242 5/2008  
 JP 1394160 8/2010  
 JP 1411633 4/2011  
 JP 2012040249 3/2012  
 JP 1495807 4/2014  
 JP 1544590 2/2016  
 KR 20110008876 9/2011  
 KR 200458901 3/2012  
 KR 20130021618 3/2013  
 NZ 406168 6/2005  
 PL RP.05460 7/2004  
 TW 457922 10/2001  
 TW M518059 3/2016

OTHER PUBLICATIONS

<http://www.grapevinesally.com/vintage-gaffers-sattler-gas-stove-part-short-oven-door-handle/>; Grapevine Sally; Gaffers & Sattler; Vintage Gaffers & Sattler Gas Stove Part—Short Oven Door Handle; Jun. 15, 2015.  
<https://www.appliancefactoryparts.com/gasgrillparts/brands/brinkmann/810-3810-s.html>; Appliance Factory Part; Brinkmann 810-3810-S; Jul. 2, 2015.  
<https://www.appliancefactoryparts.com/gasgrillparts/brands/brinkmann/810-3214-0.html>; Appliance Factory Part; Brinkman 810-3214-0; Sep. 6, 2015.  
<http://tvwbb.com/showthread.php?40489-My-Genesis-1000-red-head-is-donel>; The Virtual Weber Bulletin Board; Thread: My Genesis 1000 red head is done!; Apr. 17, 2015.  
[https://www.caterkwik.cauk/cgi-bin/trolleyed\\_public.cgi?action=showprod\\_ARCHWAY3BSCL](https://www.caterkwik.cauk/cgi-bin/trolleyed_public.cgi?action=showprod_ARCHWAY3BSCL); Cater-Kwik; Archway 3BS/3BL 3 Burner Classic Charcoal Grill; Jul. 2, 2013.

(56)

**References Cited**

## OTHER PUBLICATIONS

<http://home.howstuffworks.com/grill.htm>; Howstuffworks Home & Garden; How Grills Work; Sep. 6, 2015.

<http://www.houzz.com/photos/188288/Wolf-42-Outdoor-Gas-Grill-outdoor-grills>; Houzz; Wolf 42" Outdoor Gas Grill; Dec. 26, 2014.

[http://www.bbqguys.com/item\\_item\\_2881068.html](http://www.bbqguys.com/item_item_2881068.html); BBQGUYS; Caliber CrossFlame Silver 41—Inch Freestanding Propane Gas Grill With Sear Burner and Rotisserie—Wood Handle; Sep. 5, 2015.

[http://www.bbqguys.com/item\\_item\\_2883786.html](http://www.bbqguys.com/item_item_2883786.html); BBQGUYS; Caliber CrossFlame Pro 60—Inch Built-In Natural Gas Grill With Sear Burner and Double Side Burner—Stainless Steel Handle; Sep. 12, 2015.

<http://www.promo-wholesale.com/china/Grills/4/Barbecue-Grill---Rectangular-Chrome-Handle-And-Side-Access-95704.htm>; Promo-Wholesale.Com; Barbecue Grill—Rectangular Chrome Handle and Slide Access; May 23, 2015.

[https://www.grillparts.com/mhp/wnk.asp?product\\_id=GGHANKIT](https://www.grillparts.com/mhp/wnk.asp?product_id=GGHANKIT); Grillparts.com; WNK Stainless Steel “Stay Cool” Handle; Apr. 4, 2015.

[http://www.smartstuff.se/pages/engelska/eng\\_grillen\\_9.asp](http://www.smartstuff.se/pages/engelska/eng_grillen_9.asp); Smart Stuff; Seven tips for grilling a tastier steak.; Oct. 23, 2013.

<http://bbq.about.com/od/brinkmanngasgrills/fl/Brinkmann-4-Burner-Propane-Gas-Grill-Model-810-6420-S.htm>; About Food; Brinkmann 4-Burner Propane Gas Grill Model #810-6420-S (Discontinued); Sep. 6, 2015.

<http://www.goodhousekeeping.com/appliances/outdoor-grill-reviews/a29633/brinkmann-ranger-2-burner-gas-grill-810-4220-5/>; Good Housekeeping; Brinkmann Ranger 2-Burner Gas Grill #810-4220-5; Sep. 13, 2015.

<http://www.charbroil.com/products/charcoal-grills/box/deluxe-charcoal-box-grill>; Char-Broil; Deluxe Charcoal Box Grill; Apr. 19, 2015.

<http://www.charbroil.com/products/charcoal-grills/>; CHAR\_BROIL; Charcoal Grills-Kettleman; Apr. 17, 2015.

[http://www.novascan.com/products/acoustic\\_isolation.php](http://www.novascan.com/products/acoustic_isolation.php); Novascan; Acoustic Hoods & Mechanical Noise Isolation Chambers for AFM and Sensitive Instruments; May 9, 2008.

<http://thefireworks.org/> The Fireworks; Jul. 6, 2015.

<http://www.mhpgrills.com/grills/wnk/>; MHP Outdoor Grills; WNK 4 Grill; May 25, 2015.

[http://www.patioandhearthproductsreport.com/index.php/product/kitchenaid\\_dual\\_lid\\_gas\\_grill](http://www.patioandhearthproductsreport.com/index.php/product/kitchenaid_dual_lid_gas_grill); Patio & Hearth Products Report; Kitchenaid Dual-lid Gas Grill; Aug. 16, 2015.

<http://www.rayscomments.com/comment-catagories/barbecue/71-backyard-classic-pro-charcoalwood-grill.html>; Ray’s Comments; Backyard Classic Pro Charcoal/Wood Grill; Jun. 27, 2015.

<http://www.kitchenaid.com/shop/accessories-1/major-appliance-accessories-2/dishwashers-3/-/%5bW10708004%5d-5516100/W10708004/>; Kitchenaid; Handle Kit w/ two Red Medallions for Panel-Ready Dishwasher; Sep. 5, 2015.

<http://web.archive.org/web/20131008210545/http://prestigedistributioninc.com/towel-bar-round-stainless-steel-asi-0755-ss.html>; Prestige Distribution, Inc.; Towel Bar Round Stainless Steel—ASI 0755-SS; Oct. 8, 2013.

<http://www.sz-wholesaler.com/p/1172/1184-2/towel-bar-zh-3124-614609.html>; SZ-Wholesaler.com; Towel Bar (ZH 3124); Sep. 20, 2014.

<https://www.mandmlandscapes.com/>; M&M Professional Landscaping; Outdoor Kitchens; Dec. 21, 2014.

<http://web.archive.org/web/20150911105612/http://www.ikea.com/gb/en/>; IKEA; Sep. 11, 2015.

Non-Final Office Action for U.S. Appl. No. 29/583,235 dated Apr. 17, 2018.

Non-Final Office Action for U.S. Appl. No. 29/583,239 dated Apr. 17, 2018.

\* cited by examiner

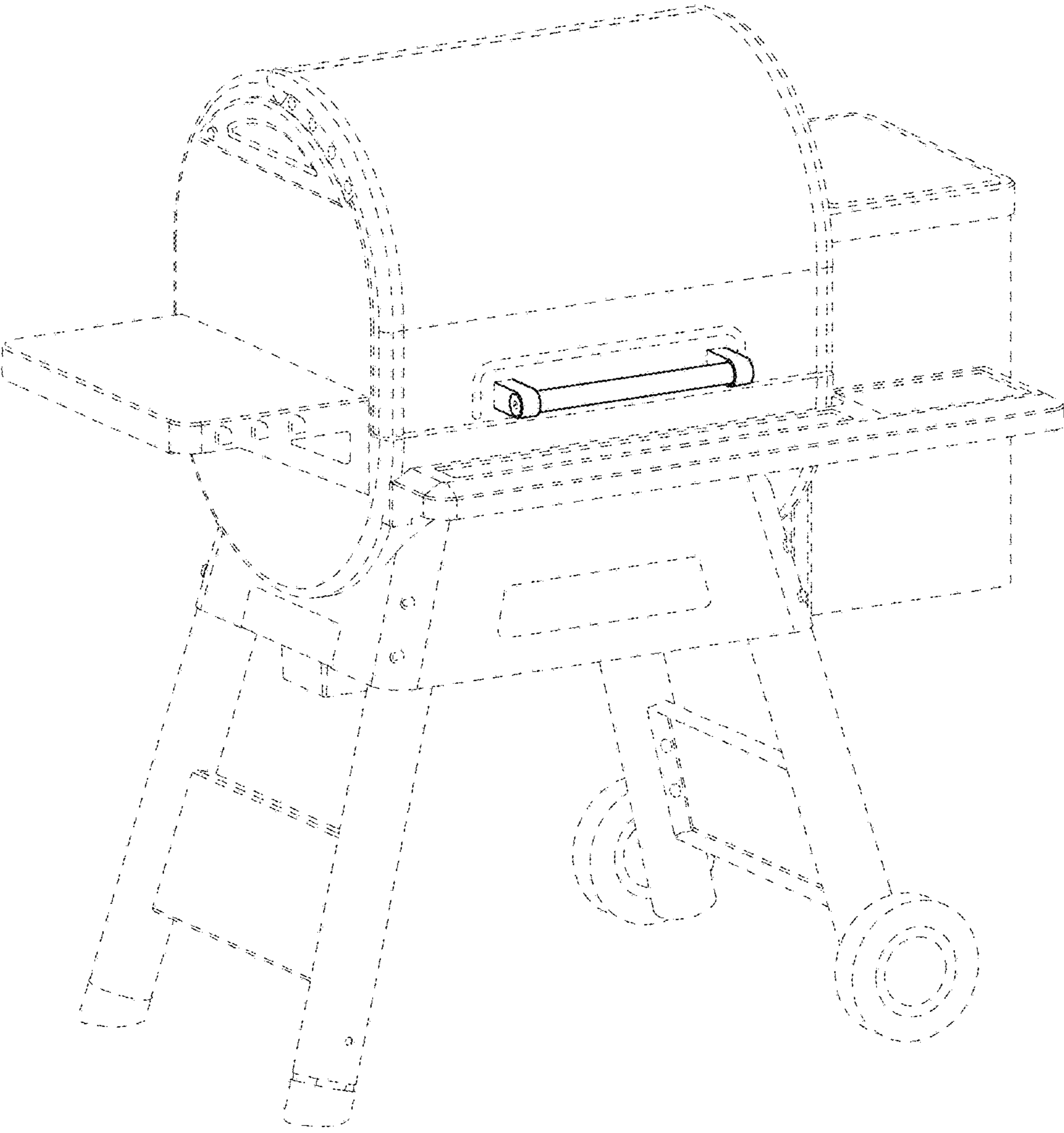


FIG. 1

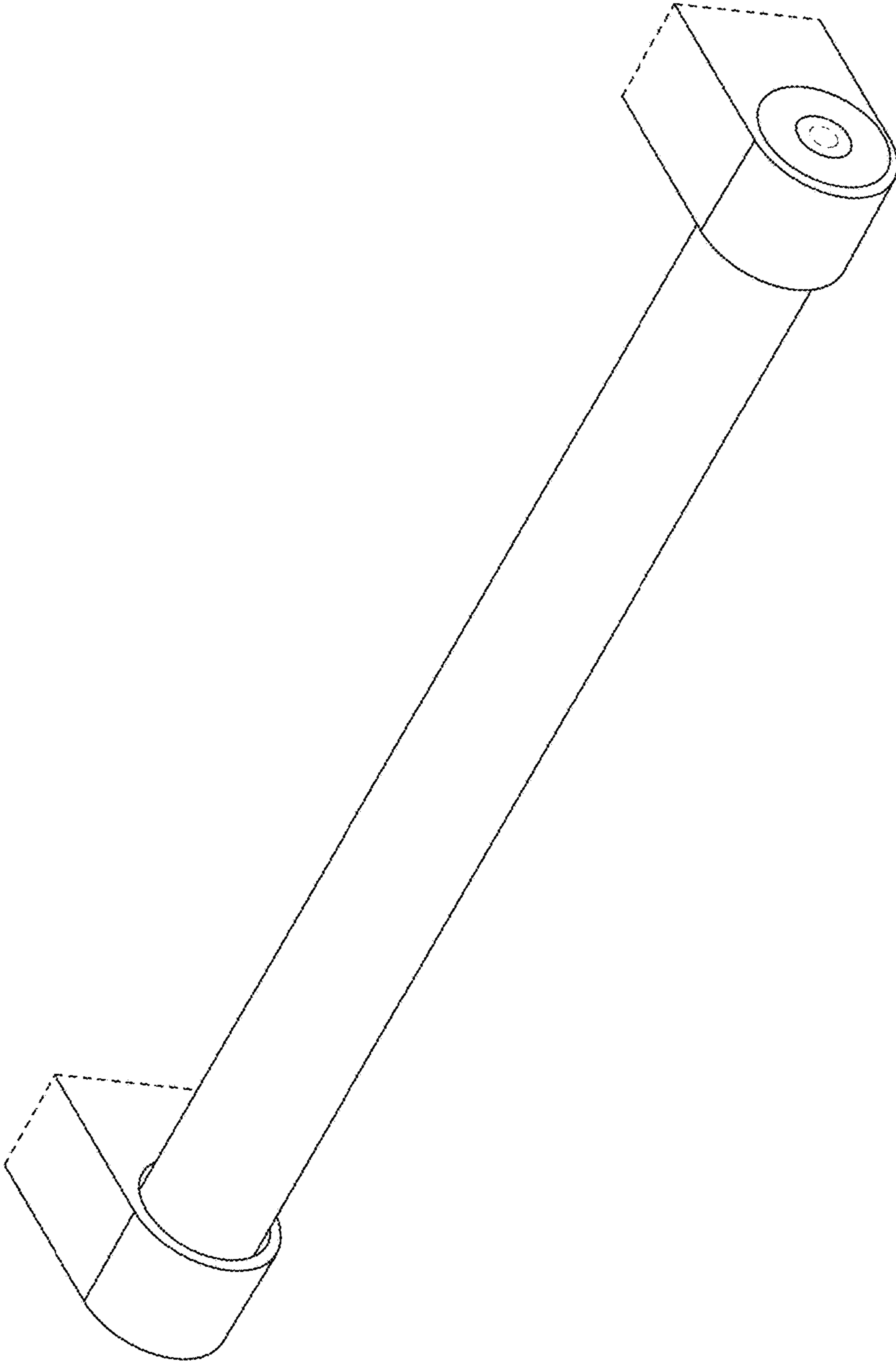


FIG. 2

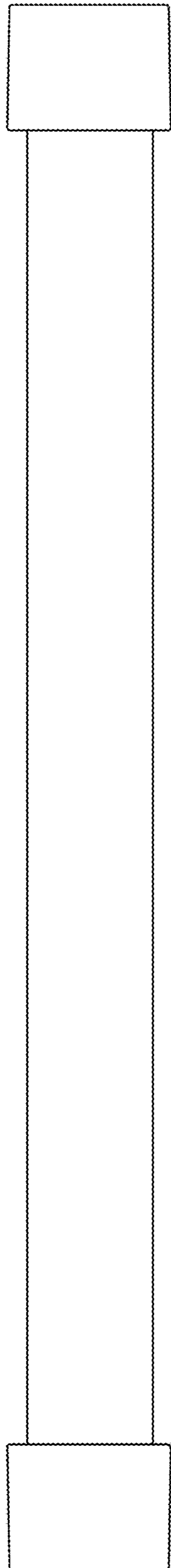


FIG. 3

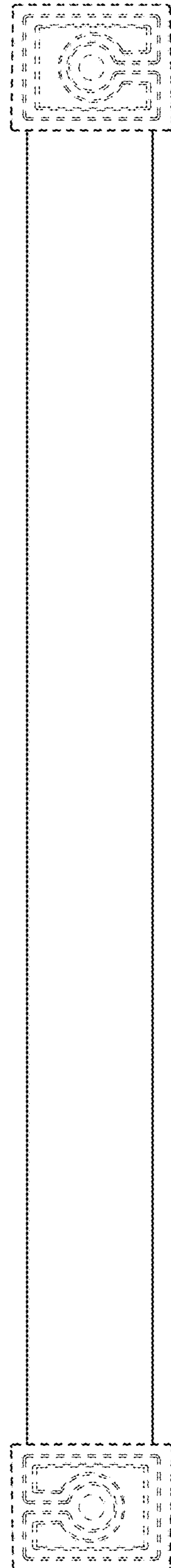


FIG. 4

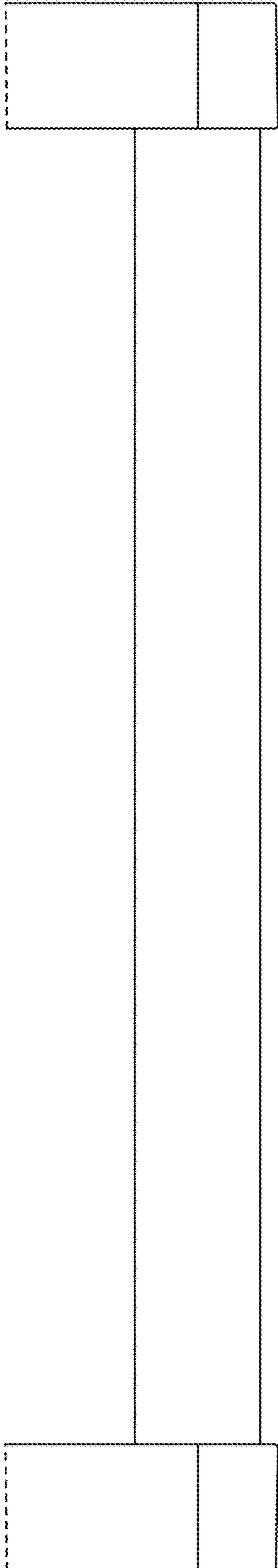


FIG. 5

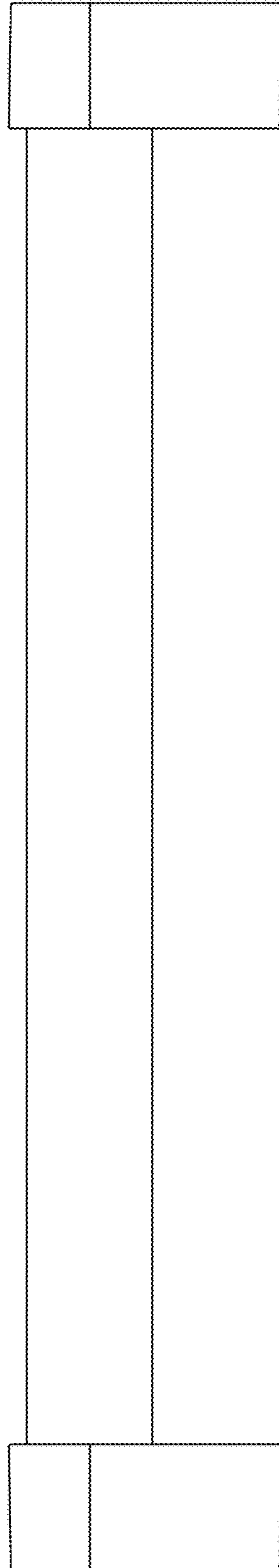
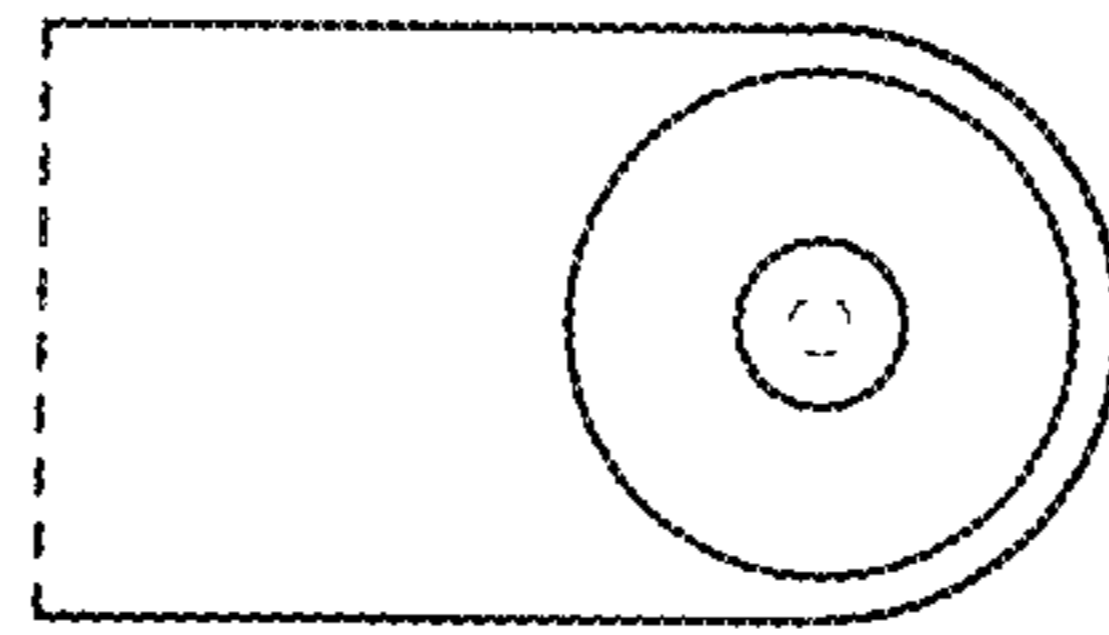
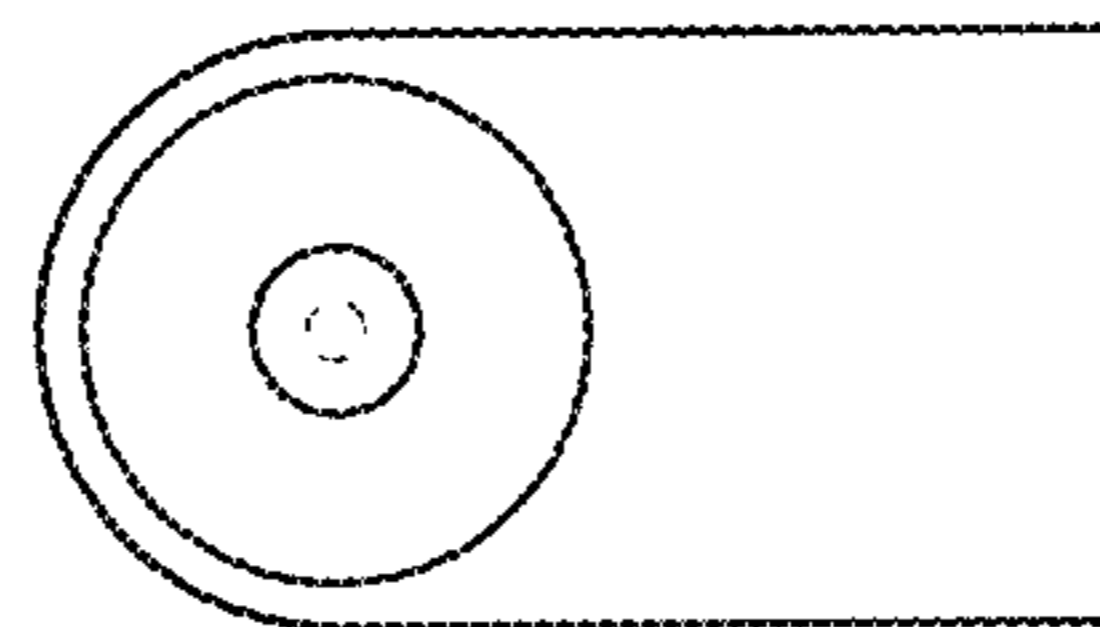


FIG. 6



**FIG. 7**



**FIG. 8**



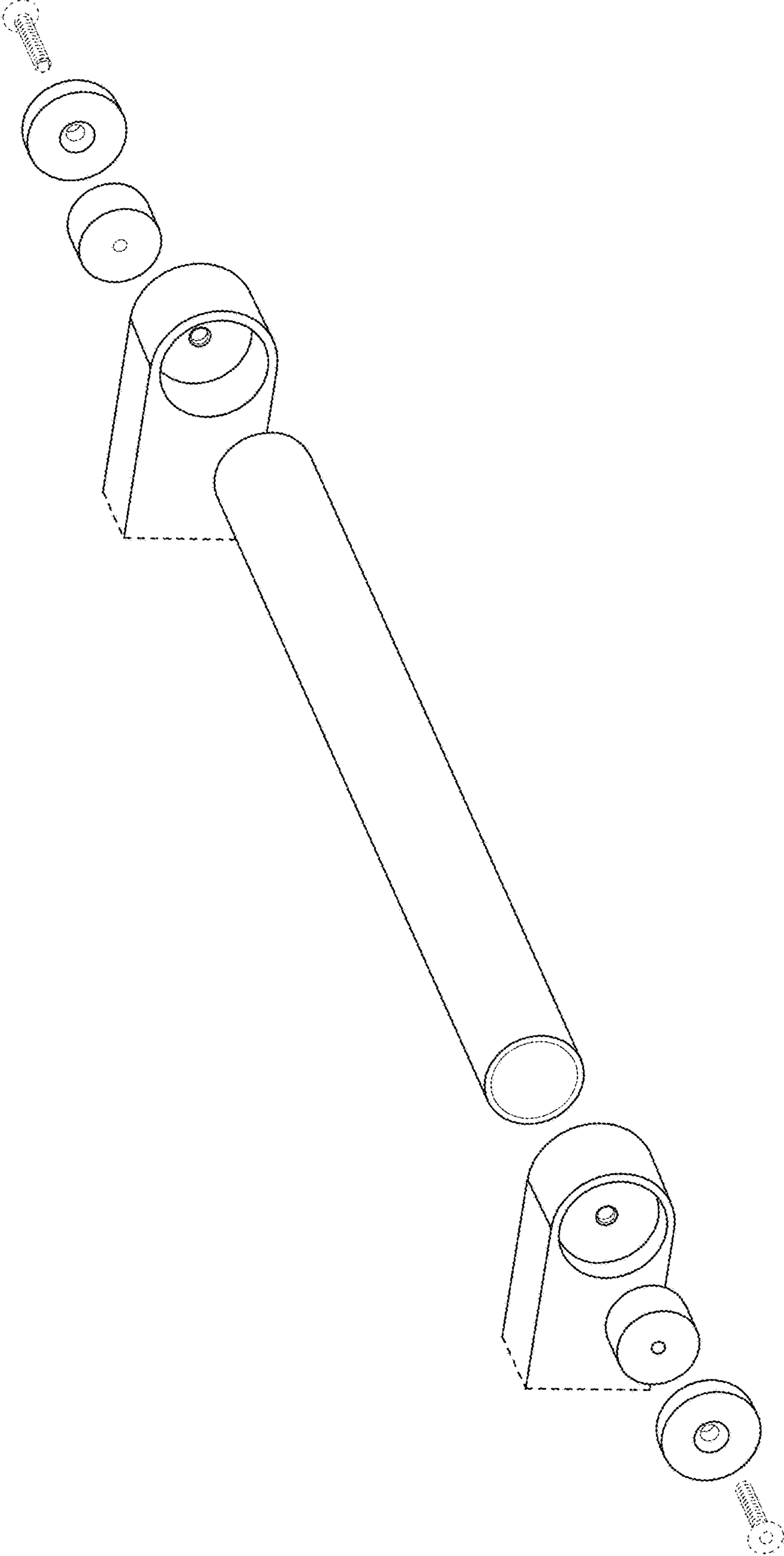


FIG. 9