



US00D827367S

(12) **United States Design Patent** (10) **Patent No.:** **US D827,367 S**  
**D'Amico** (45) **Date of Patent:** **\*\* Sep. 4, 2018**

(54) **BREW BASKET**  
(71) Applicant: **S&D Coffee, Inc.**, Concord, NC (US)  
(72) Inventor: **Anthony T. D'Amico**, Charlotte, NC (US)  
(73) Assignee: **S&D Coffee, Inc.**, Concord, NC (US)  
(\*\*) Term: **15 Years**  
(21) Appl. No.: **29/549,907**  
(22) Filed: **Dec. 29, 2015**  
(51) **LOC (11) Cl.** ..... **07-99**  
(52) **U.S. Cl.**  
USPC ..... **D7/400**  
(58) **Field of Classification Search**  
USPC ..... D7/387, 397, 399, 400, 401; D23/209;  
99/295, 306, 315, 323; 210/238, 248,  
210/455, 474  
CPC ..... A47J 47/00; A47J 47/16; A47J 31/446;  
A47J 31/00; A47J 31/44; A47J 31/057  
See application file for complete search history.

6,439,105 B1 8/2002 Ford  
D486,355 S 2/2004 Lyall, III  
7,021,198 B1 4/2006 Iyall  
D542,088 S 5/2007 Albrecht  
D675,867 S \* 2/2013 Starr ..... D7/399  
8,539,876 B2 9/2013 Webster et al.  
D772,644 S 11/2016 Kestenbaum  
D793,157 S \* 8/2017 D'Amico ..... D7/400  
D793,805 S \* 8/2017 D'Amico ..... D7/400  
D800,497 S \* 10/2017 Fedorak ..... D7/397  
2004/0187696 A1 \* 9/2004 Halliday ..... A47J 31/4407  
99/295  
2017/0258261 A1 \* 9/2017 Clark ..... A47J 31/44

\* cited by examiner

*Primary Examiner* — Daniel D Bui  
*Assistant Examiner* — Andrew Kerr  
(74) *Attorney, Agent, or Firm* — Womble Bond Dickinson (US) LLP

(57) **CLAIM**

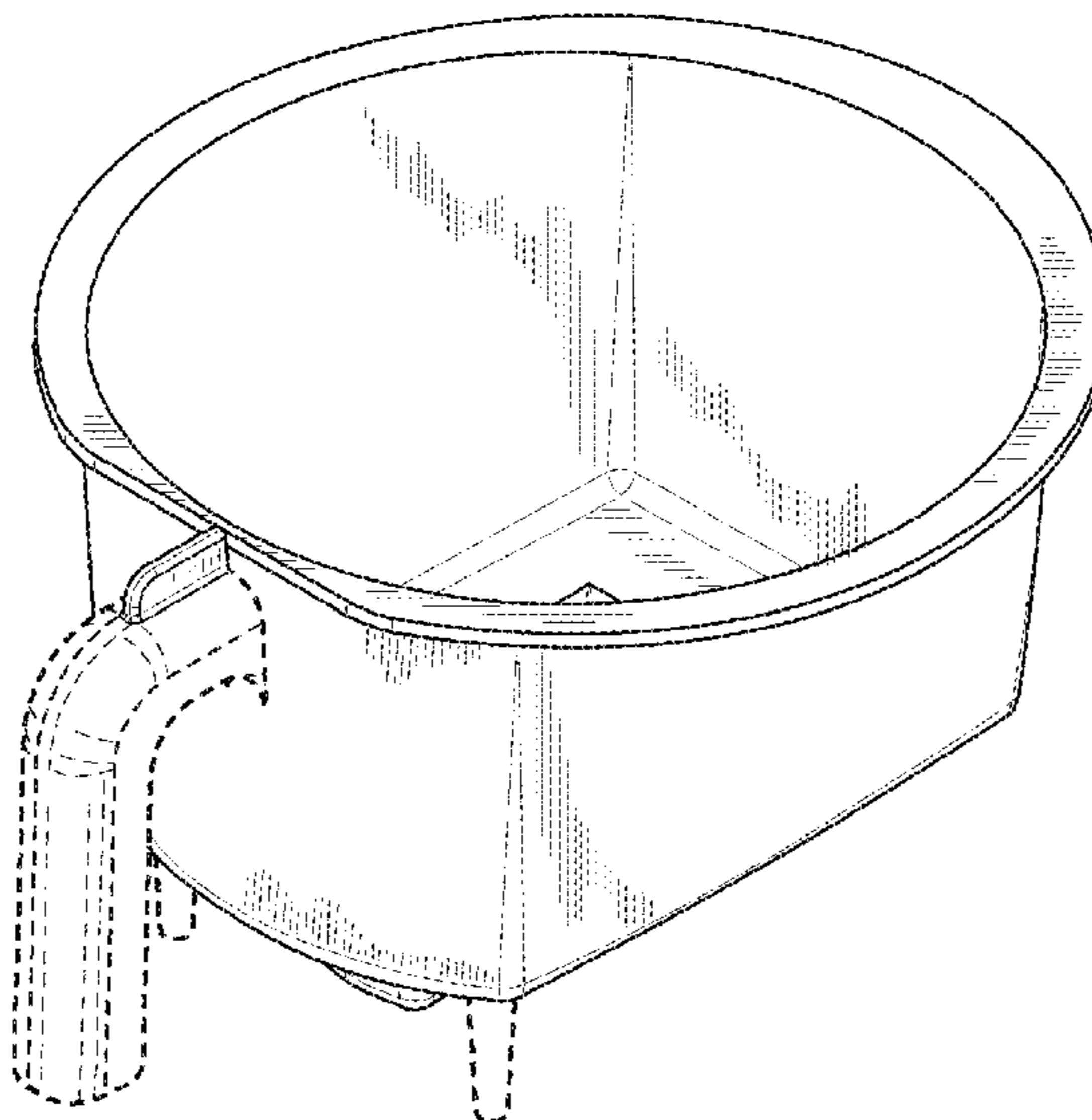
I claim the ornamental design for a brew basket, as shown and described.

**DESCRIPTION**

FIG. 1 is a top, rear and right perspective view of a brew basket showing my design;  
FIG. 2 is a bottom, front and left perspective view thereof;  
FIG. 3 is a top view thereof;  
FIG. 4 is a rear view thereof;  
FIG. 5 is a first side view thereof, the second side view being a mirror image thereof;  
FIG. 6 is a front view thereof; and,  
FIG. 7 is a bottom view thereof.  
The dashed lines in the drawing views represent unclaimed portions of a brew basket, which are included for the purpose of illustrating unclaimed environment only, and forms no part of the claimed design.

**1 Claim, 7 Drawing Sheets**

(56) **References Cited**  
U.S. PATENT DOCUMENTS  
4,207,809 A 6/1980 Brill  
4,280,401 A 7/1981 Cleland  
4,579,048 A 4/1986 Stover  
4,642,190 A \* 2/1987 Zimmerman ..... B67C 11/02  
210/464  
4,802,406 A 2/1989 Bouldin  
5,245,914 A 9/1993 Vitous  
5,340,597 A 8/1994 Gilbert  
5,957,035 A 9/1999 Richter  
D423,284 S 4/2000 Fischer  
D442,430 S 5/2001 Pope  
6,260,476 B1 7/2001 Pope  
D459,152 S 6/2002 Fischer et al.  
D460,660 S 7/2002 Fischer et al.



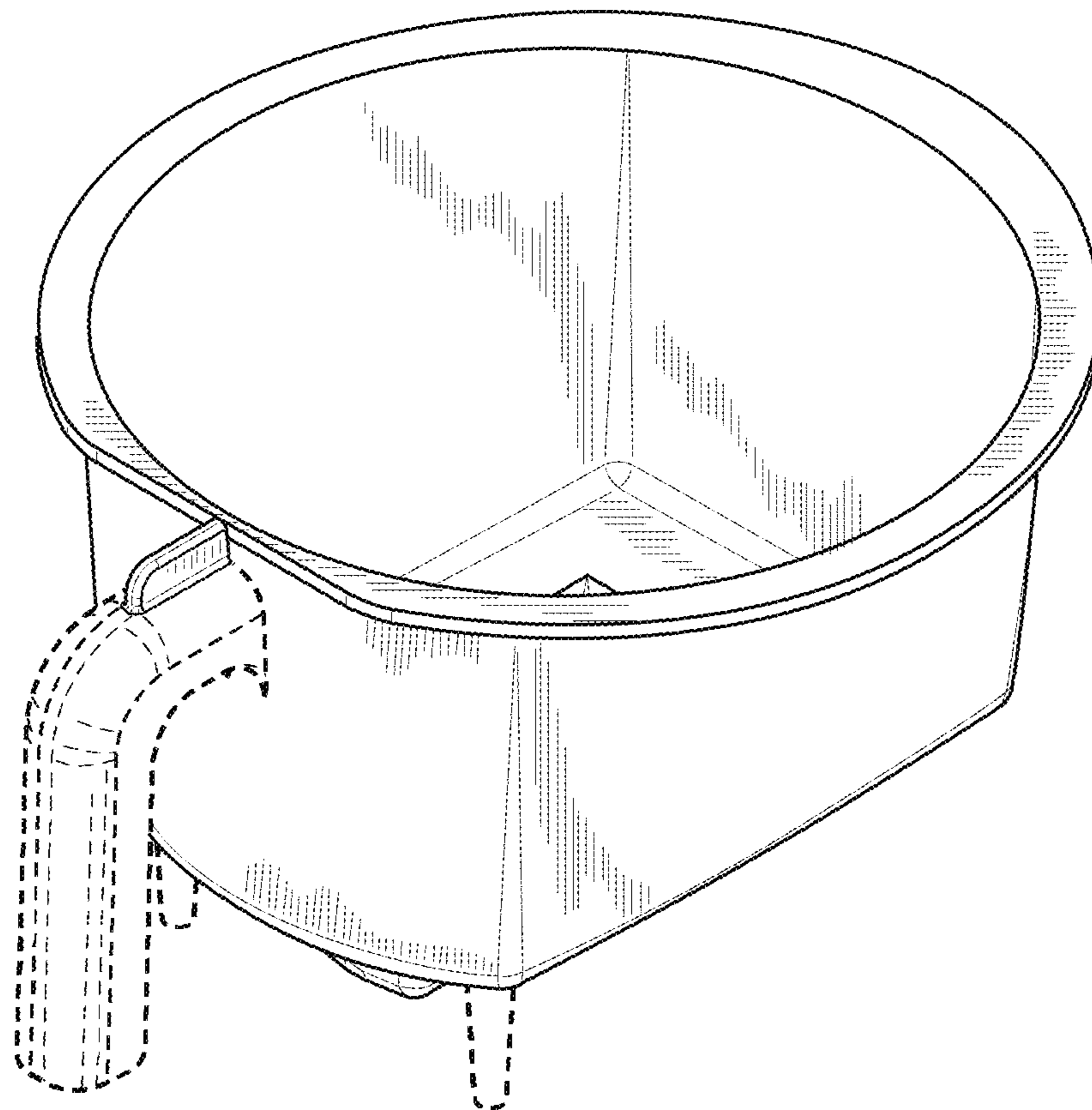


FIG. 1

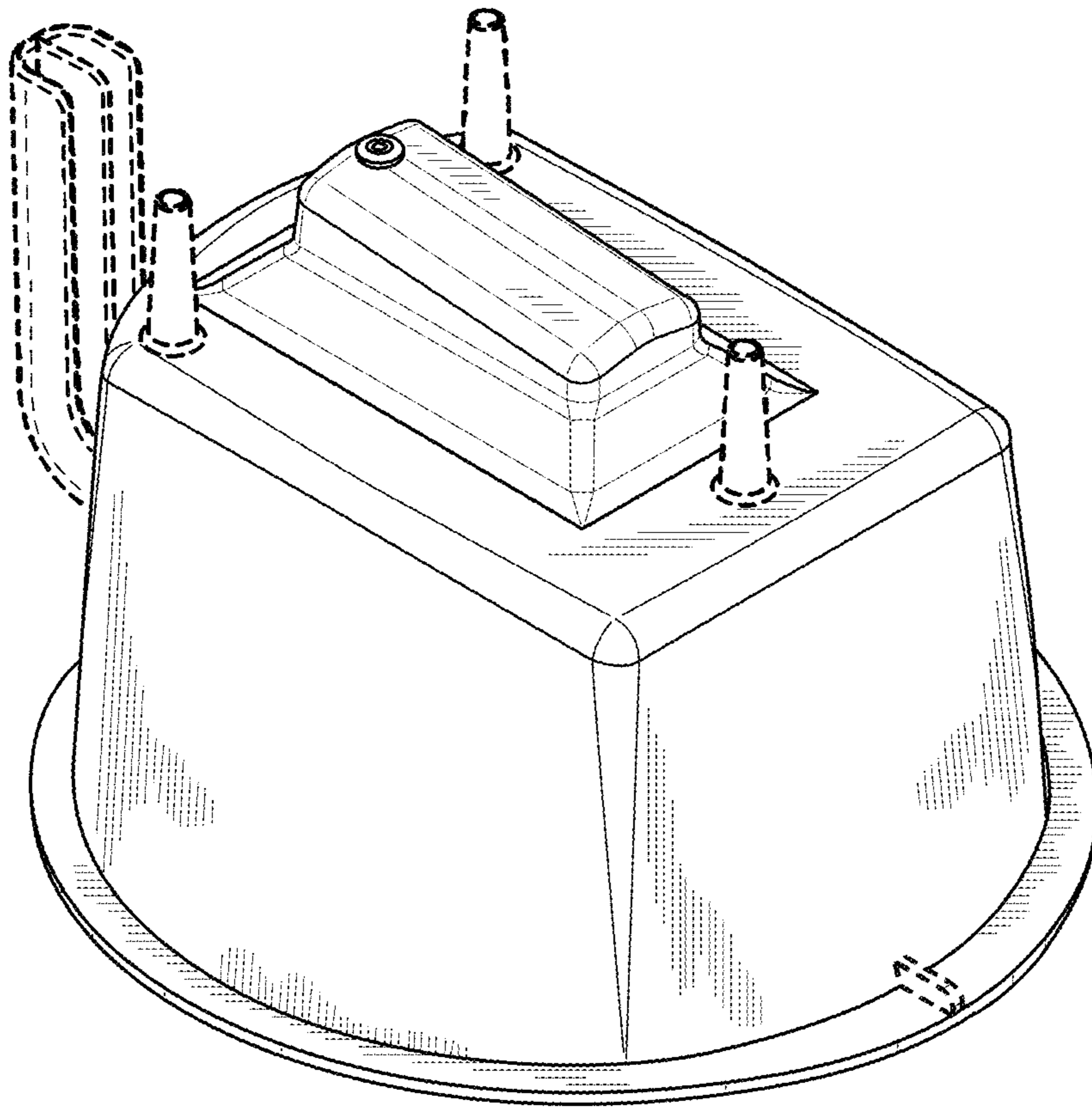
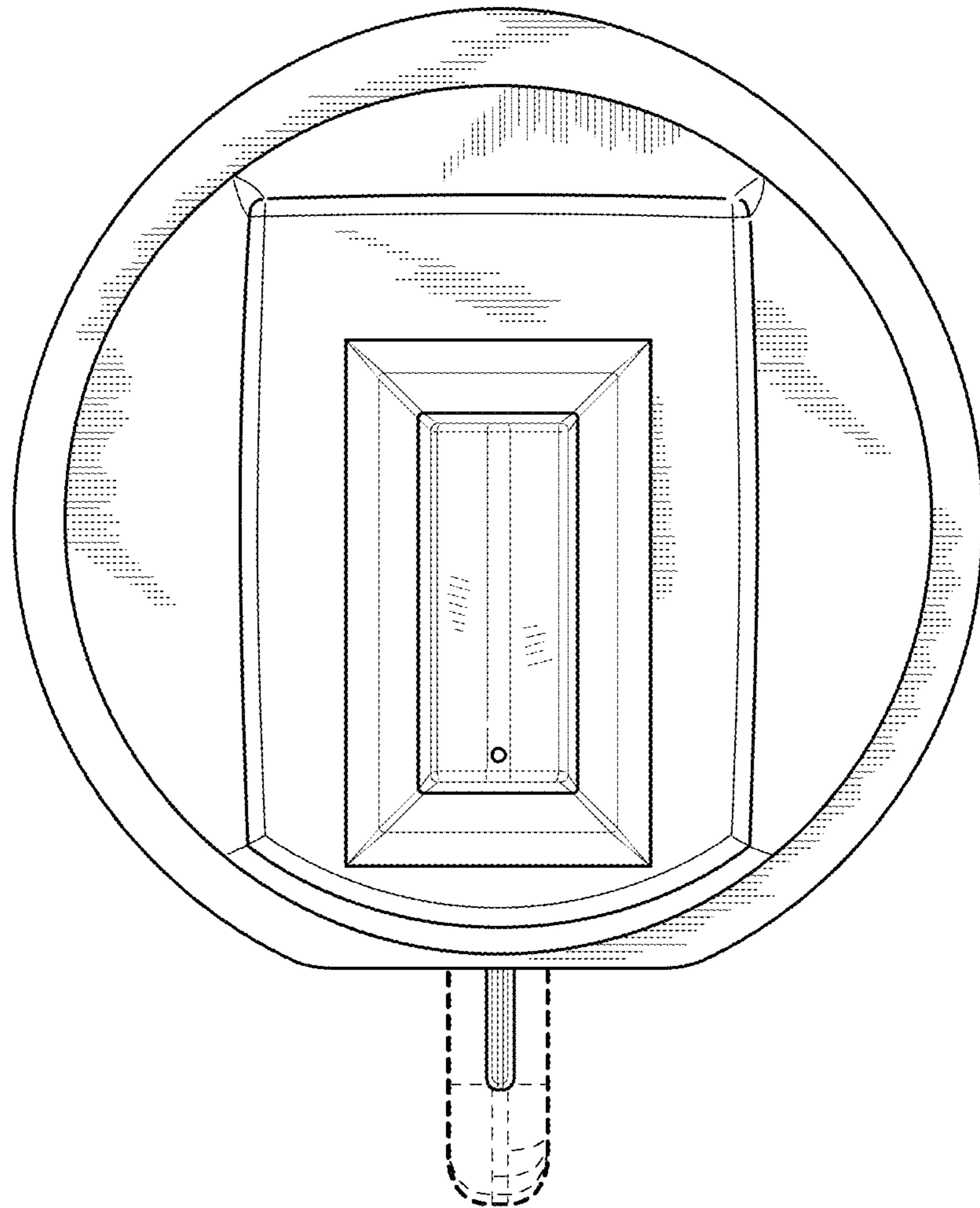
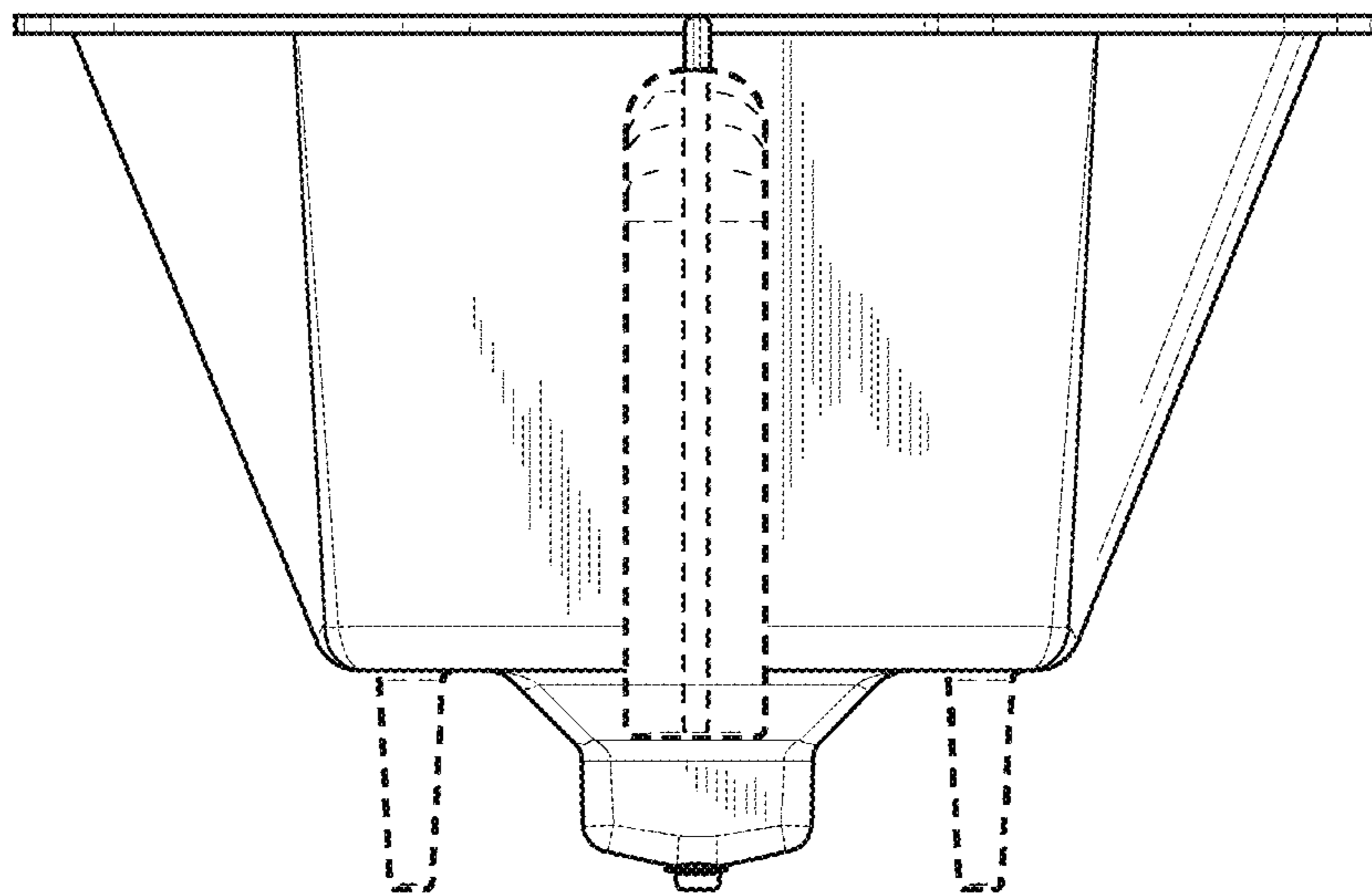


FIG. 2

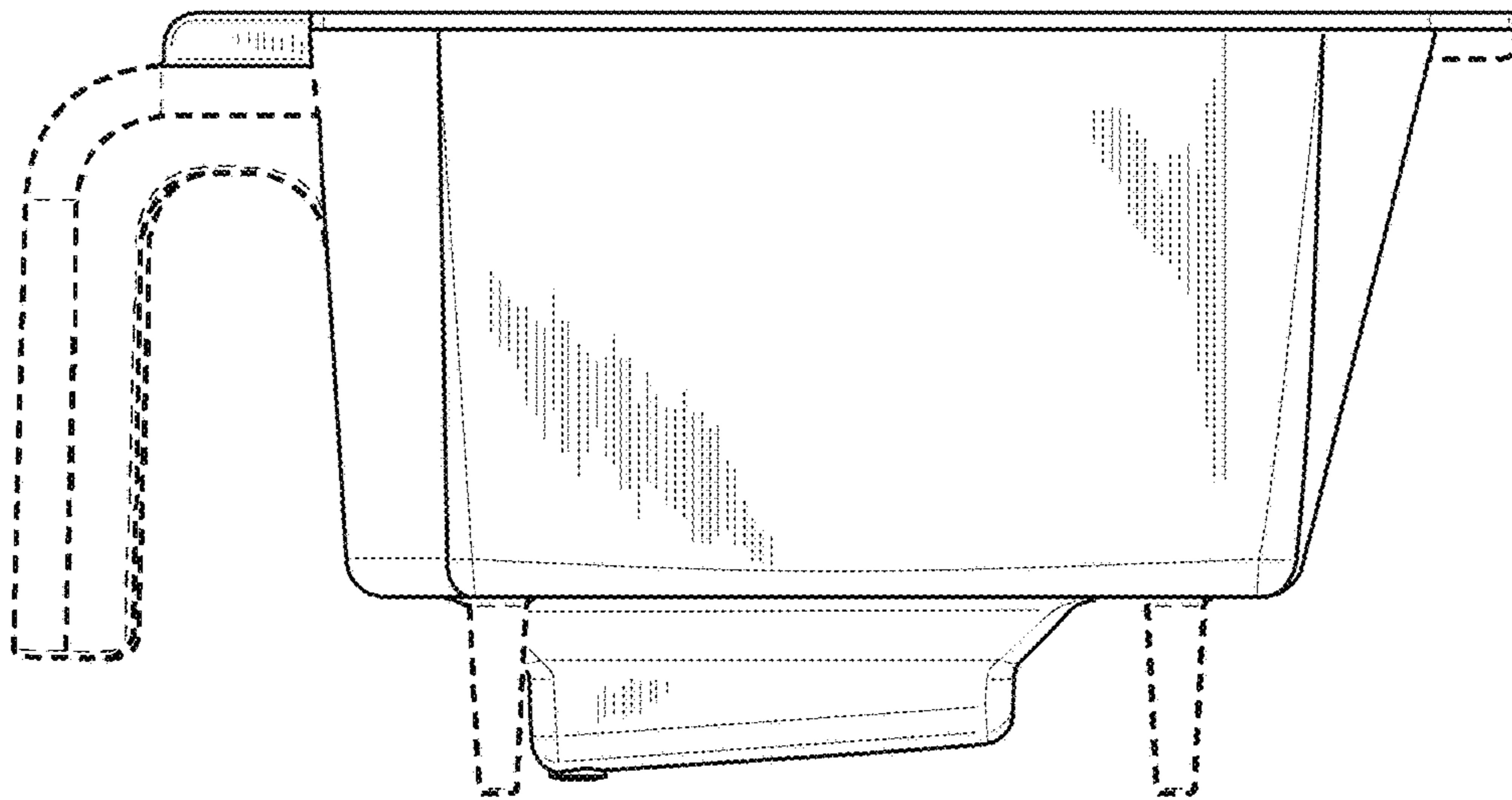


**FIG. 3**

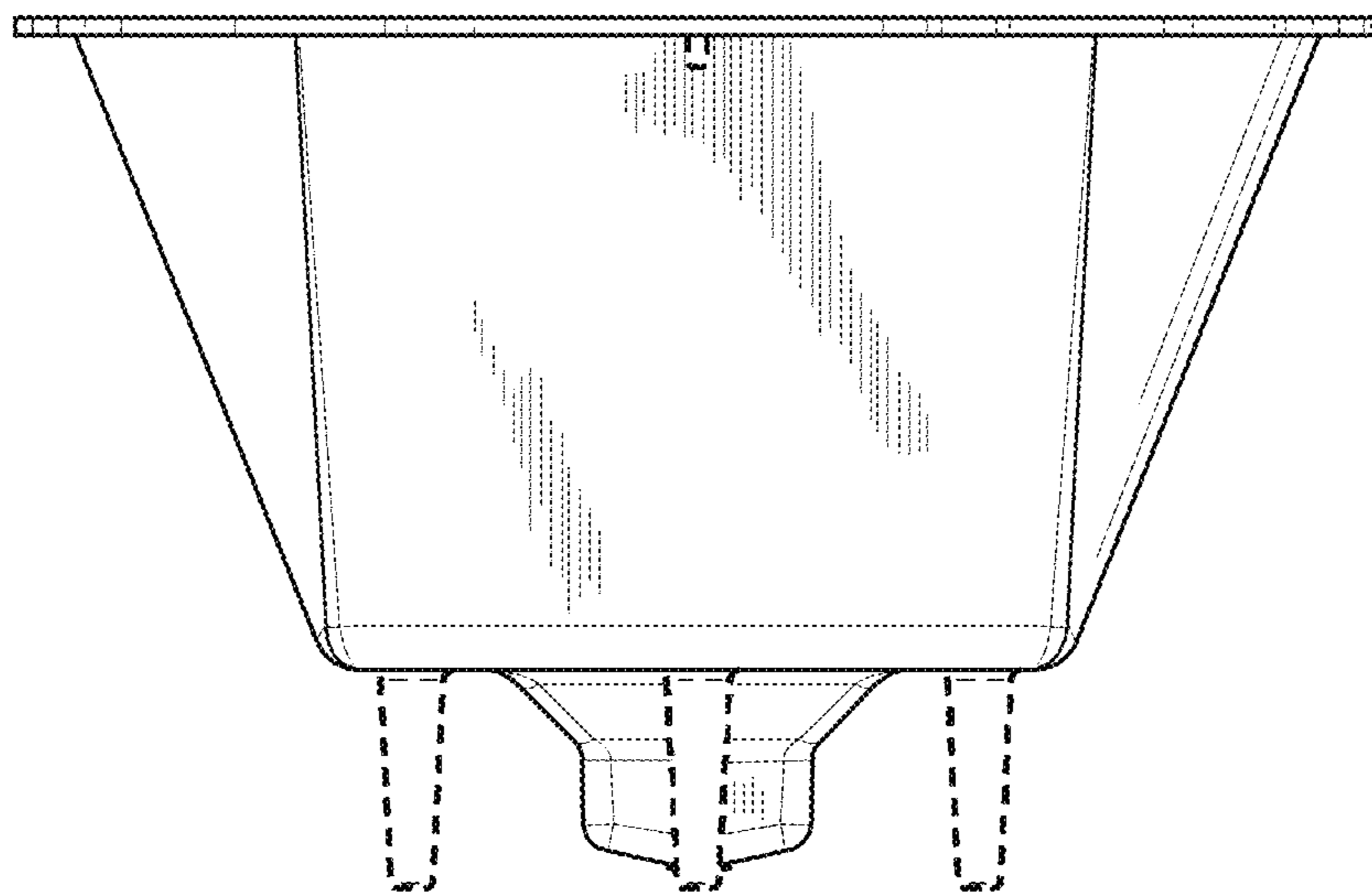


**FIG. 4**





**FIG. 5**



**FIG. 6**

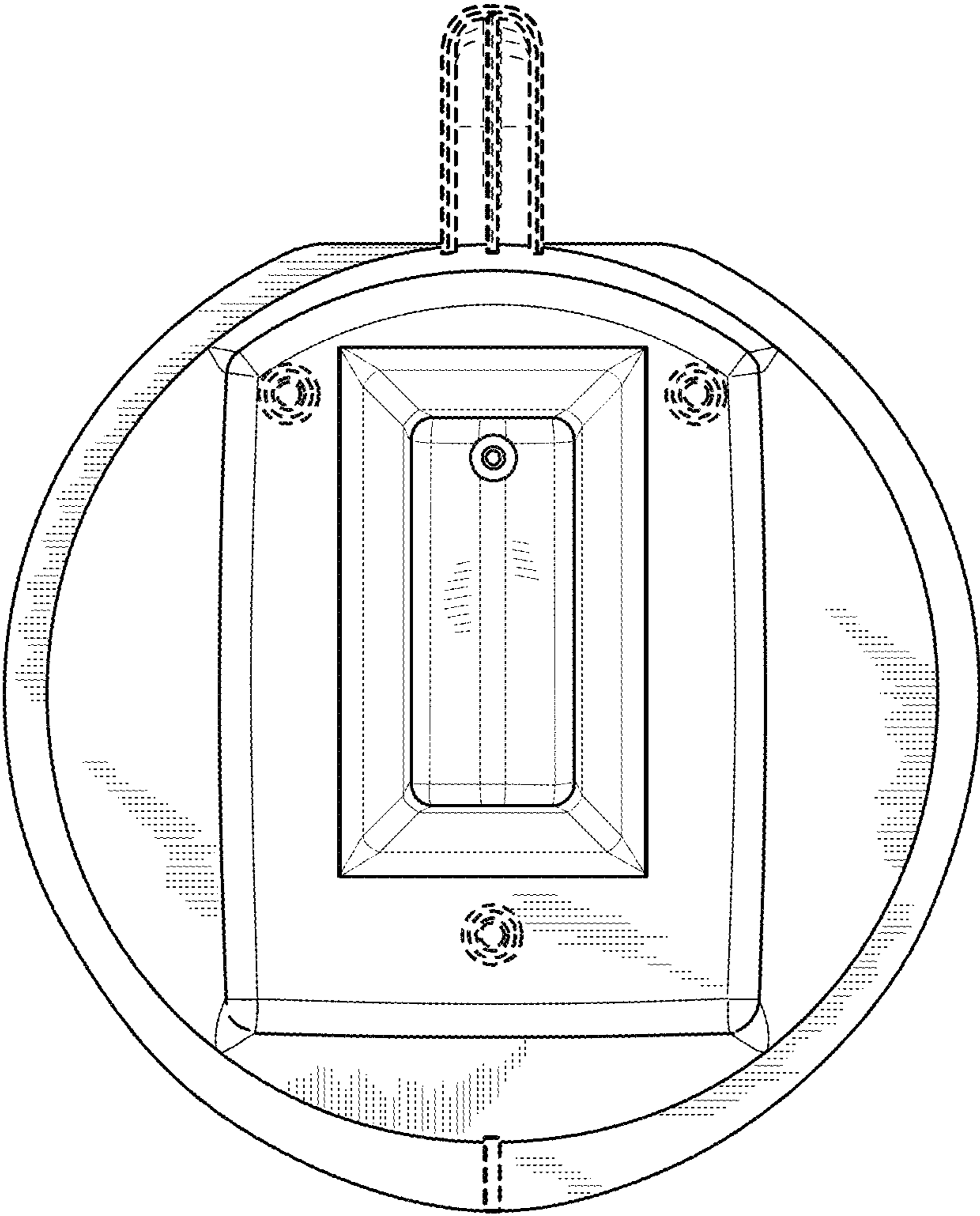


FIG. 7