



US00D827365S

(12) **United States Design Patent** (10) **Patent No.:** **US D827,365 S**
Gardner (45) **Date of Patent:** **** Sep. 4, 2018**

- (54) **TAP HANDLE FOR A BEVERAGE DISPENSER**
- (71) Applicant: **Green Mountain Tap Handles, LLC**, Hinsdale, NH (US)
- (72) Inventor: **Jason E. Gardner**, Hinsdale, NH (US)
- (73) Assignee: **Green Mountain Tap Handles, LLC**, Hinsdale, NH (US)
- (**) Term: **15 Years**
- (21) Appl. No.: **29/590,774**
- (22) Filed: **Jan. 13, 2017**
- (51) **LOC (11) Cl.** **07-99**
- (52) **U.S. Cl.**
USPC **D7/398**
- (58) **Field of Classification Search**
USPC D19/115, 130, 163; D22/111, 117;
D26/37, 46, 51
CPC B67D 1/00; B67D 1/06; B67D 1/0082
See application file for complete search history.

(56) **References Cited**

U.S. PATENT DOCUMENTS

2,804,732	A *	9/1957	Brockley	B24D 15/08 403/334
3,166,100	A *	1/1965	Tiola	F16B 12/40 138/171
D354,656	S *	1/1995	Strawbridge	D7/395
D526,515	S *	8/2006	Zorndorf	D6/709
D708,011	S *	7/2014	Liberatore	D7/395
D725,816	S *	3/2015	Fissell	D26/113
D742,685	S *	11/2015	Dale	D7/397
D767,876	S *	10/2016	Elliott	D3/7
D801,113	S *	10/2017	Rancour	D7/398

* cited by examiner

Primary Examiner — Daniel D Bui
Assistant Examiner — Andrew Kerr
(74) *Attorney, Agent, or Firm* — Downs Rachlin Martin PLLC

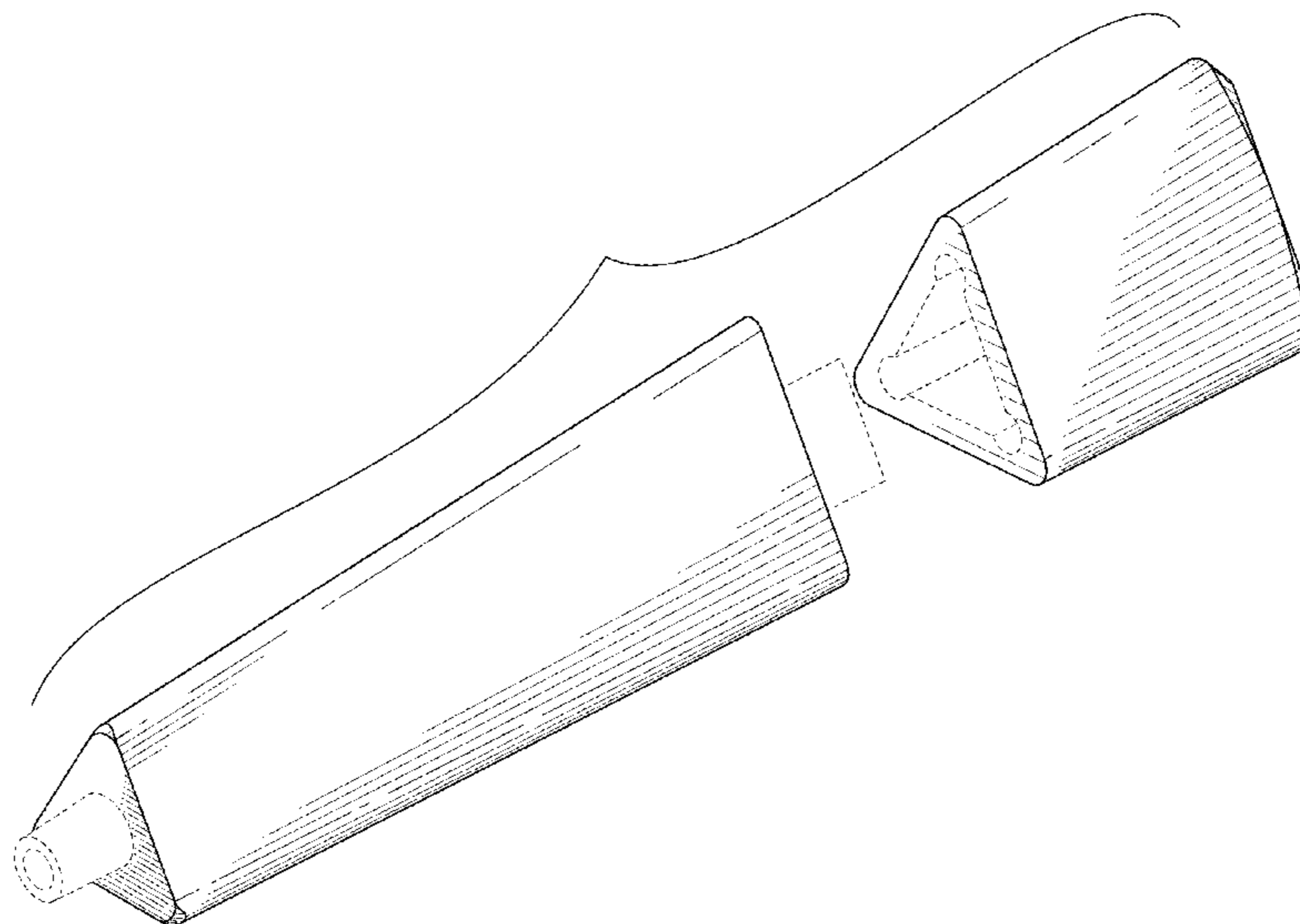
(57) **CLAIM**

The ornamental design for a tap handle for a beverage dispenser, as shown and described.

DESCRIPTION

FIG. 1 is a perspective view of a tap handle for a beverage dispenser, which includes a base portion and a top portion, showing my new design;
 FIG. 2 is an exploded perspective view thereof with the top removed from the base;
 FIG. 3 is a side view of the tap handle with the top positioned on the base;
 FIG. 4 is another side view thereof;
 FIG. 5 is another side view thereof;
 FIG. 6 is another side view thereof;
 FIG. 7 is an end view thereof;
 FIG. 8 is another end view thereof;
 FIG. 9 is a side view of the base with the top removed;
 FIG. 10 is another side view thereof;
 FIG. 11 is another side view thereof;
 FIG. 12 is another side view thereof;
 FIG. 13 is an end view thereof;
 FIG. 14 is another end view thereof;
 FIG. 15 is a side view of the top;
 FIG. 16 is another side view thereof;
 FIG. 17 is another side view thereof;
 FIG. 18 is another side view thereof;
 FIG. 19 is an end view thereof; and,
 FIG. 20 is another end view thereof.
 The broken lines in the Figures are for the purpose of illustrating unclaimed portions of the tap handle and form no part of the claimed design.

1 Claim, 7 Drawing Sheets



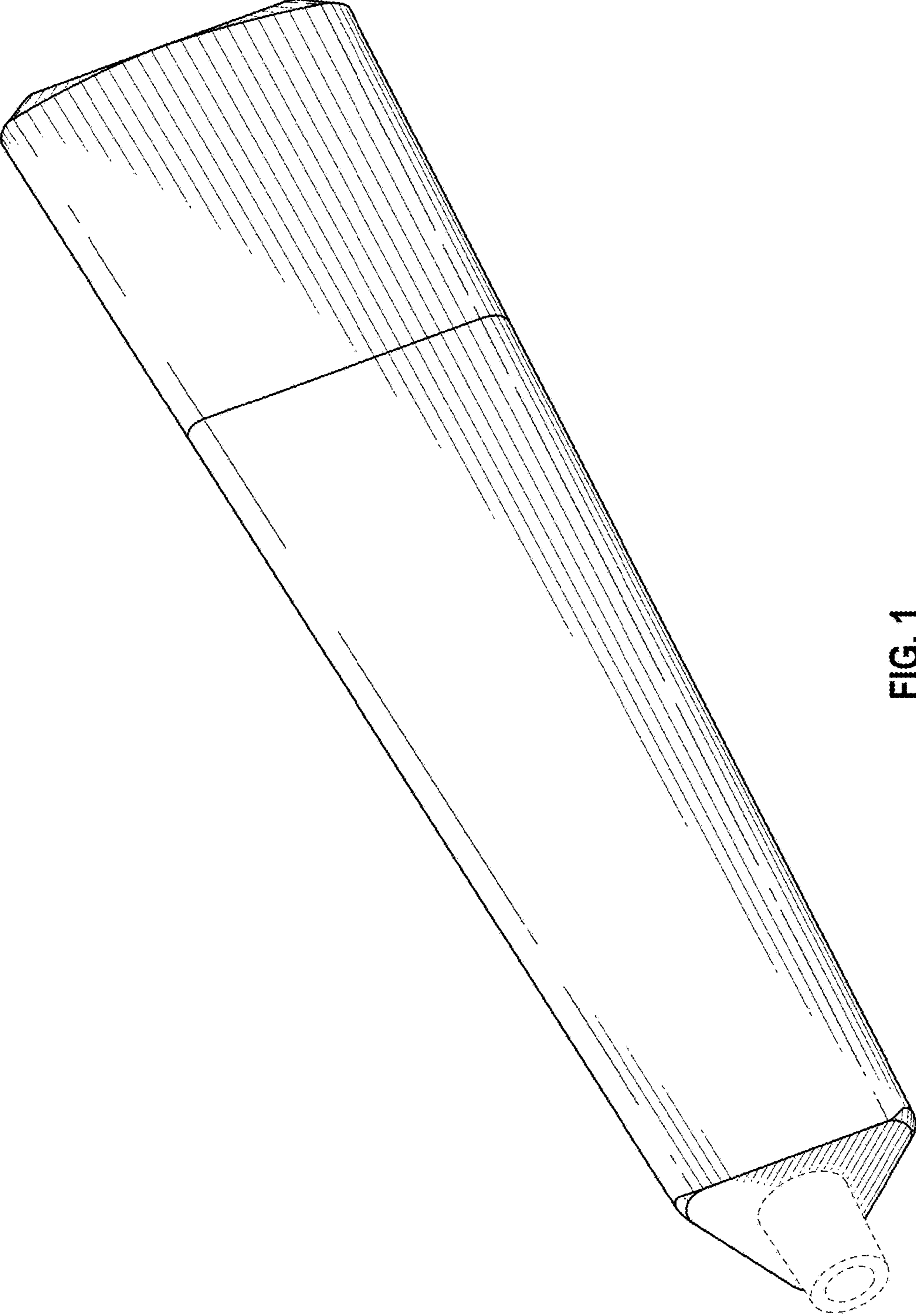


FIG. 1

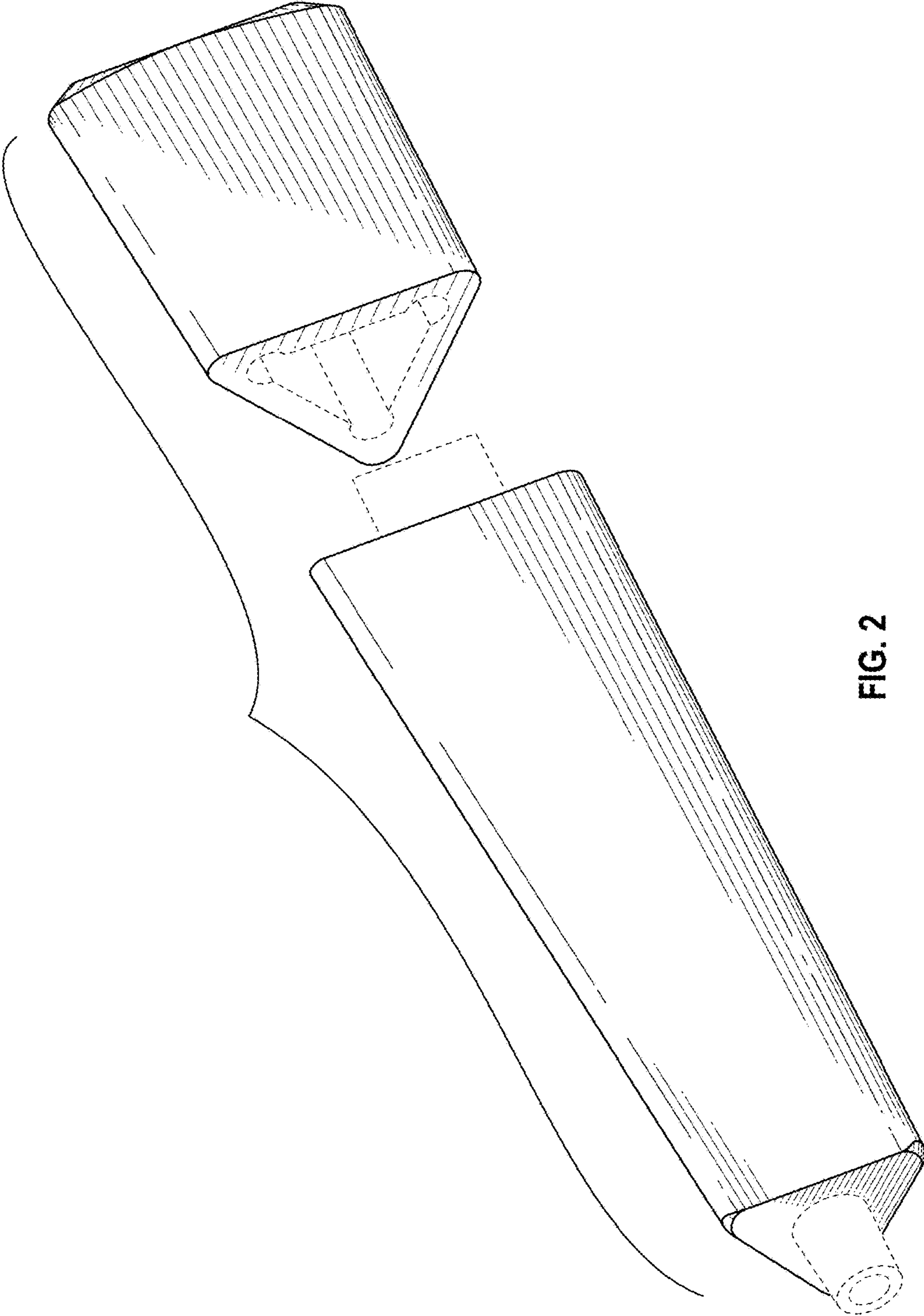


FIG. 2

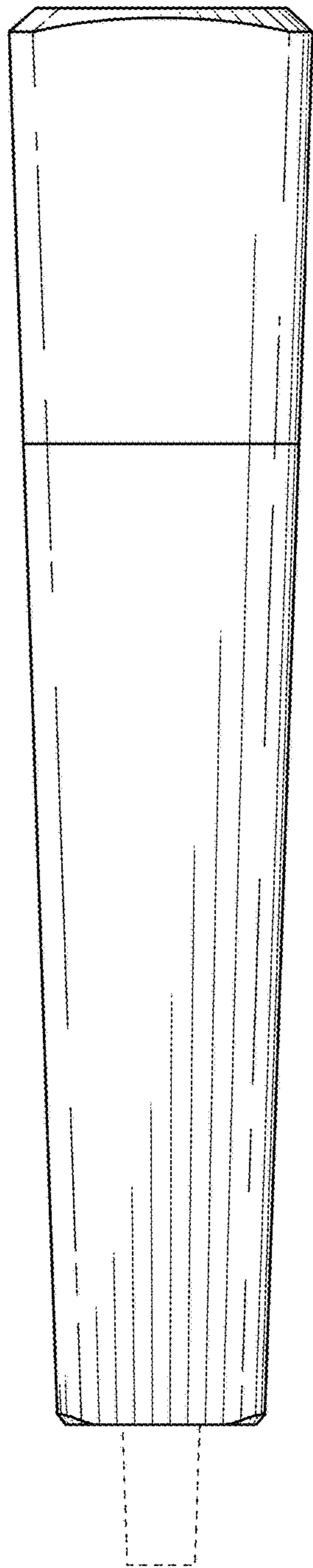


FIG. 3

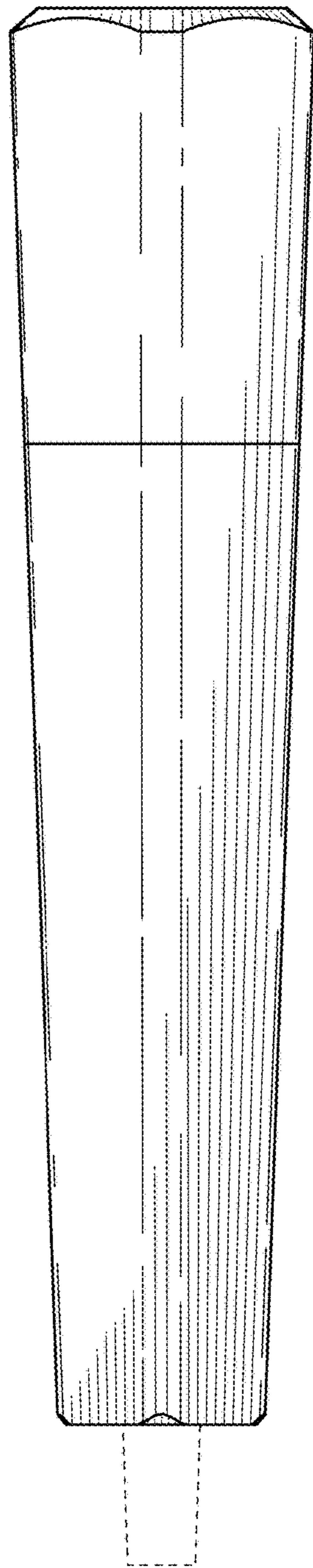


FIG. 4

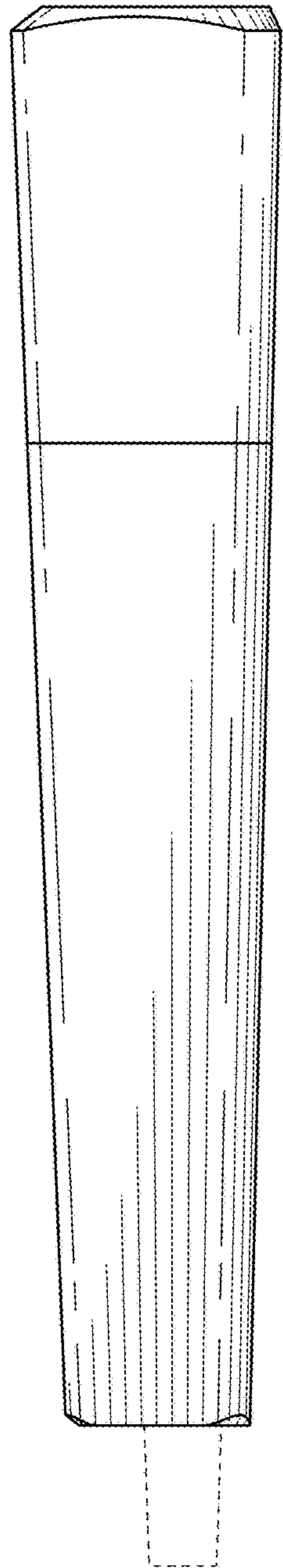


FIG. 5

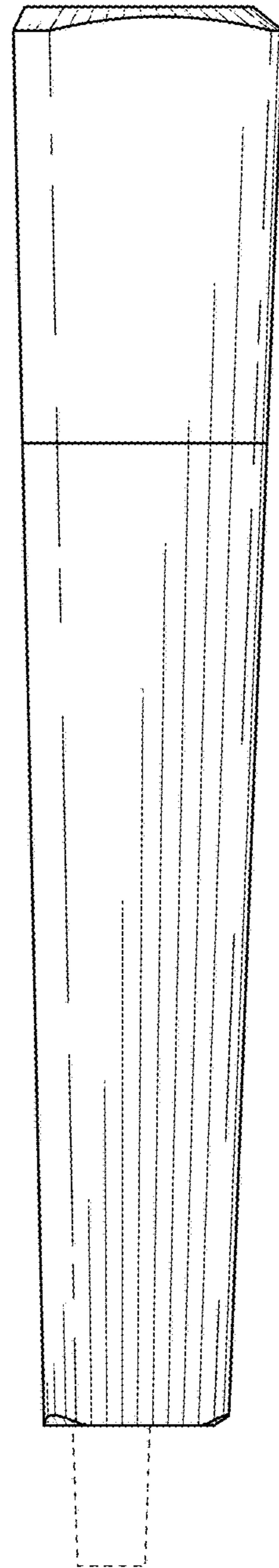


FIG. 6

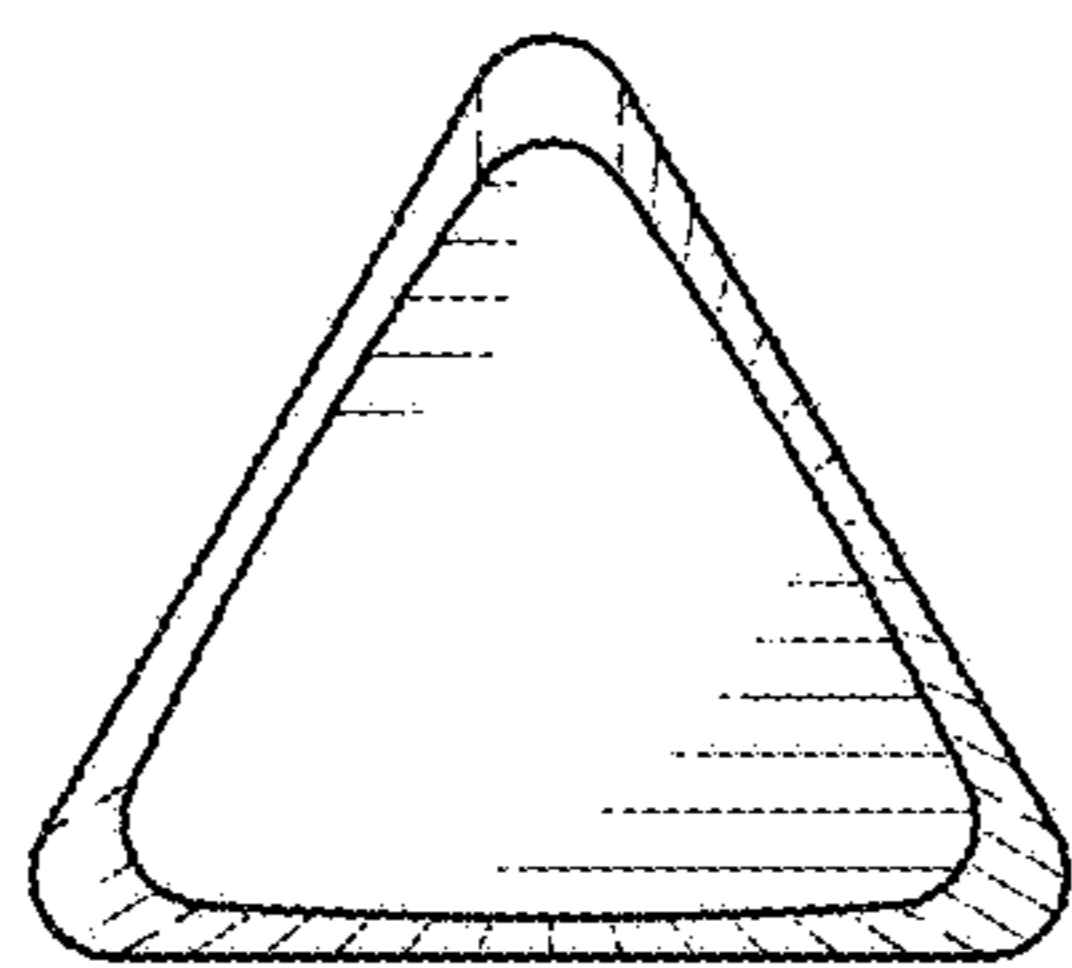


FIG. 7

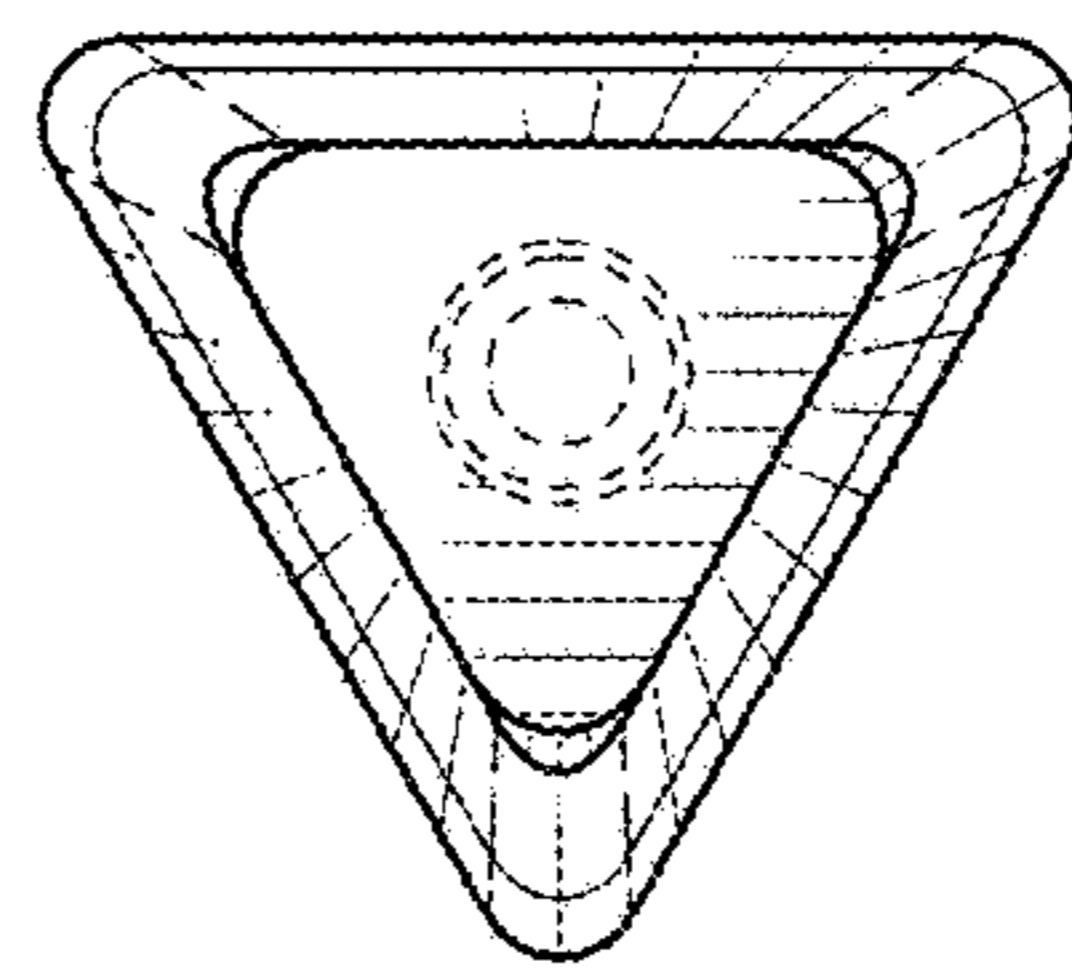


FIG. 8

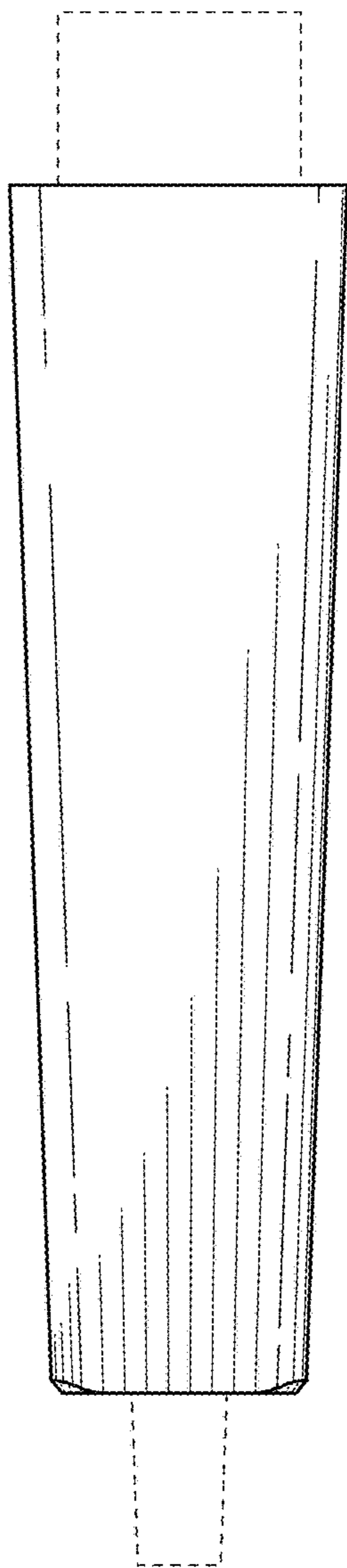


FIG. 9

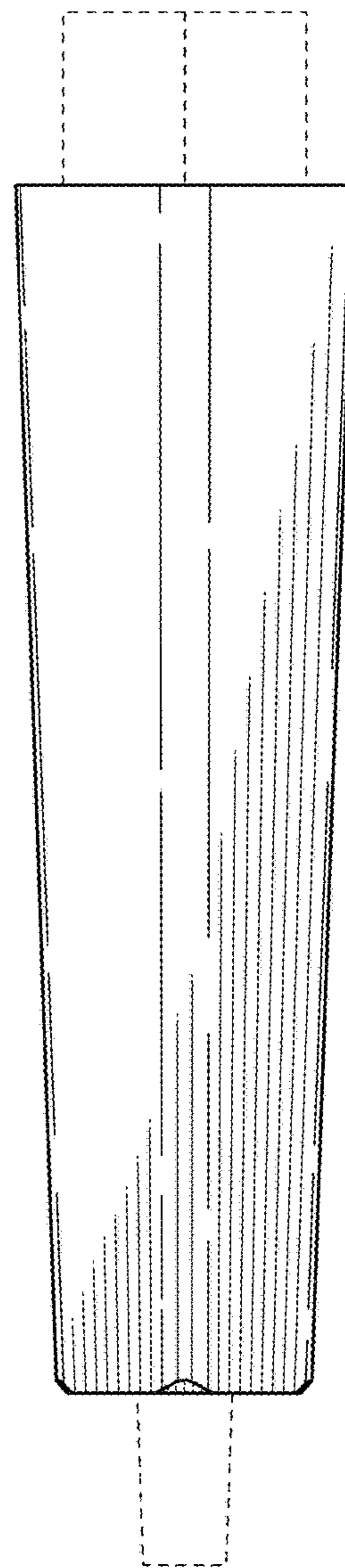


FIG. 10

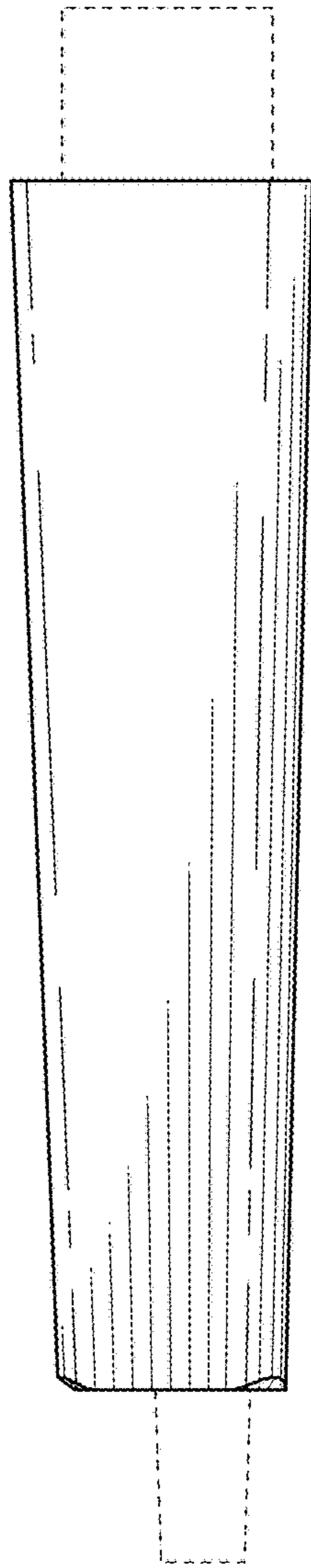


FIG. 11

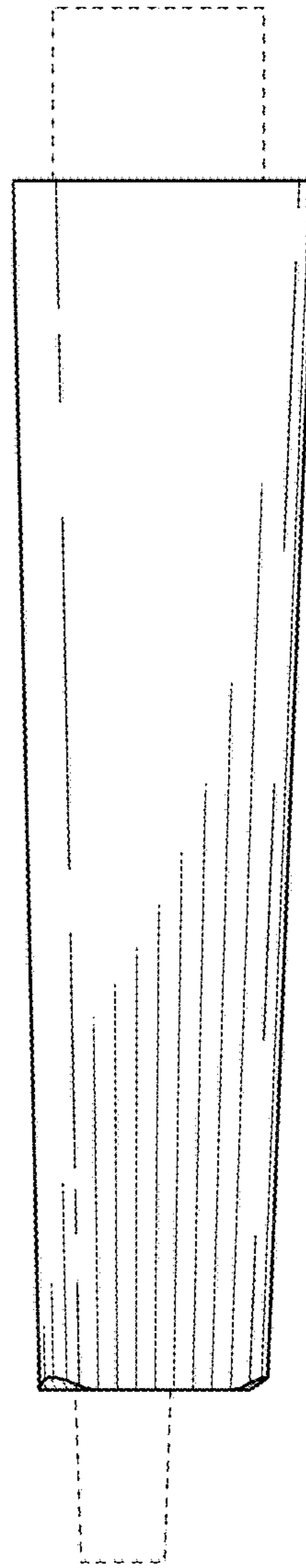


FIG. 12

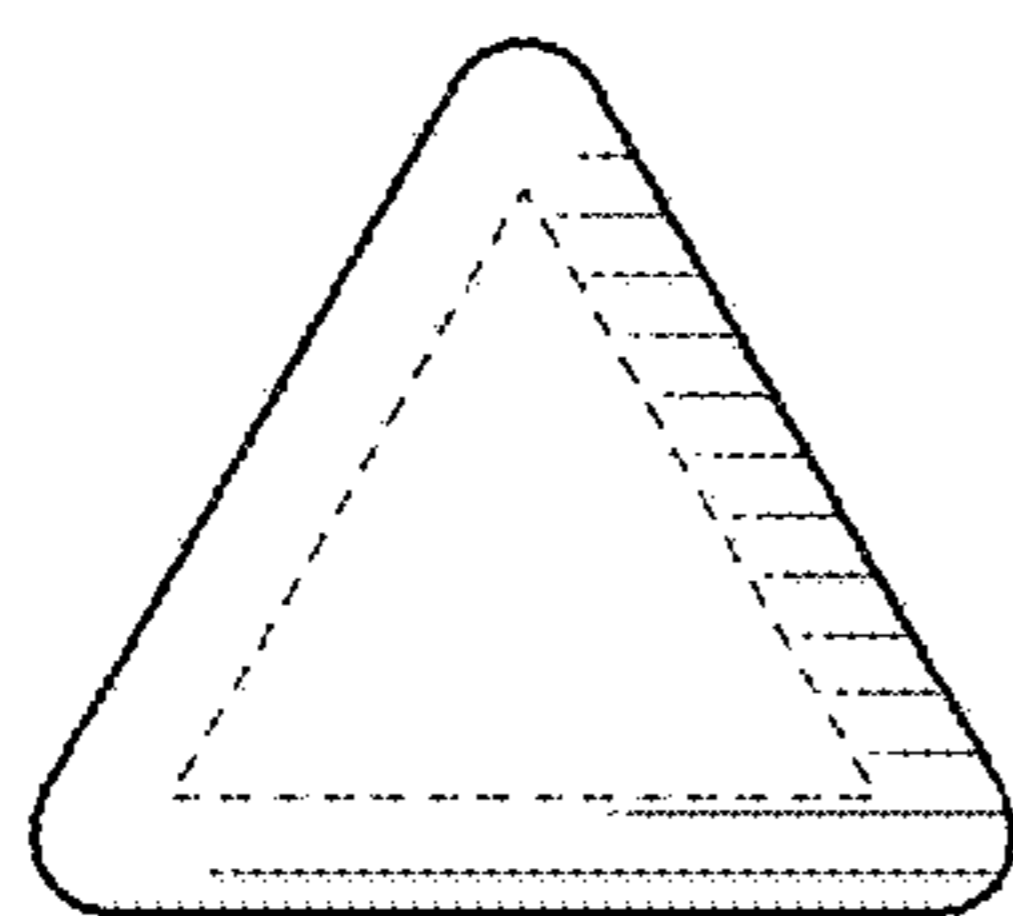


FIG. 13

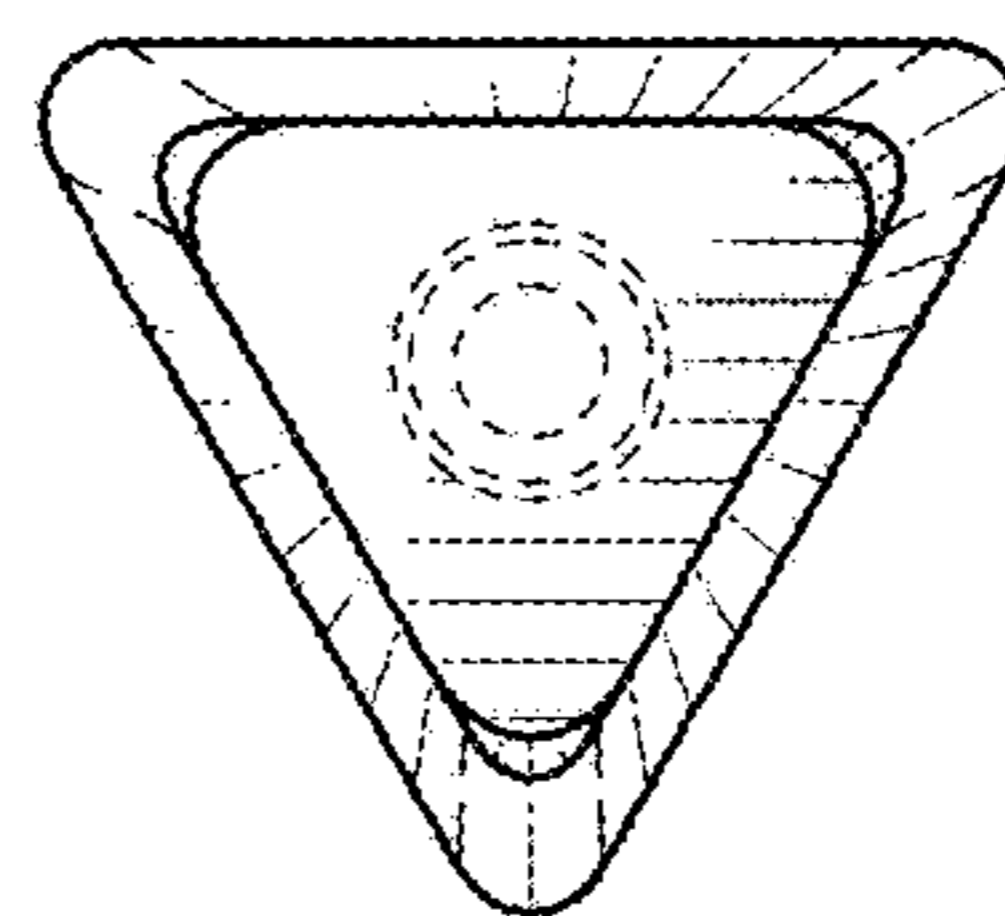


FIG. 14

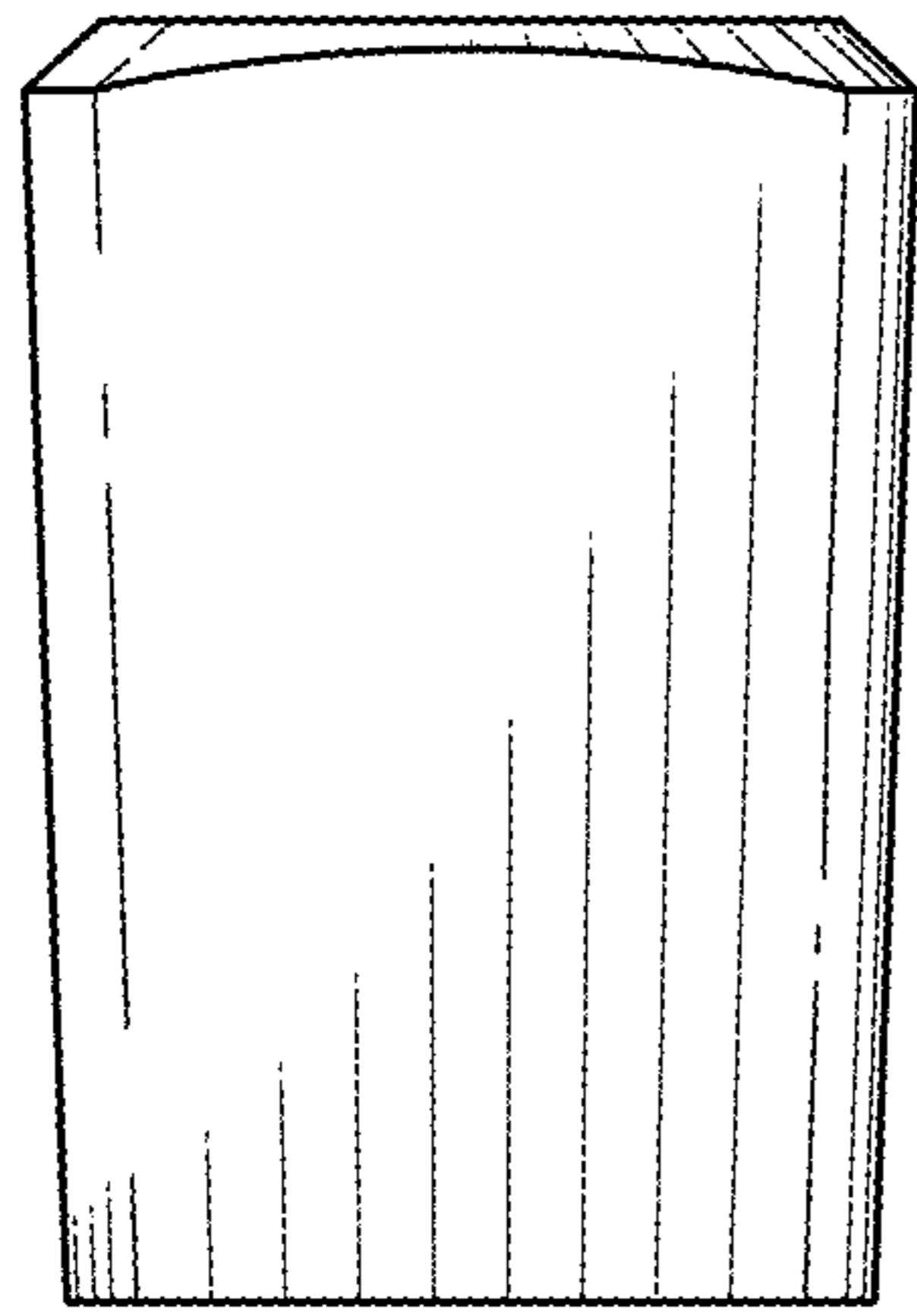


FIG. 15

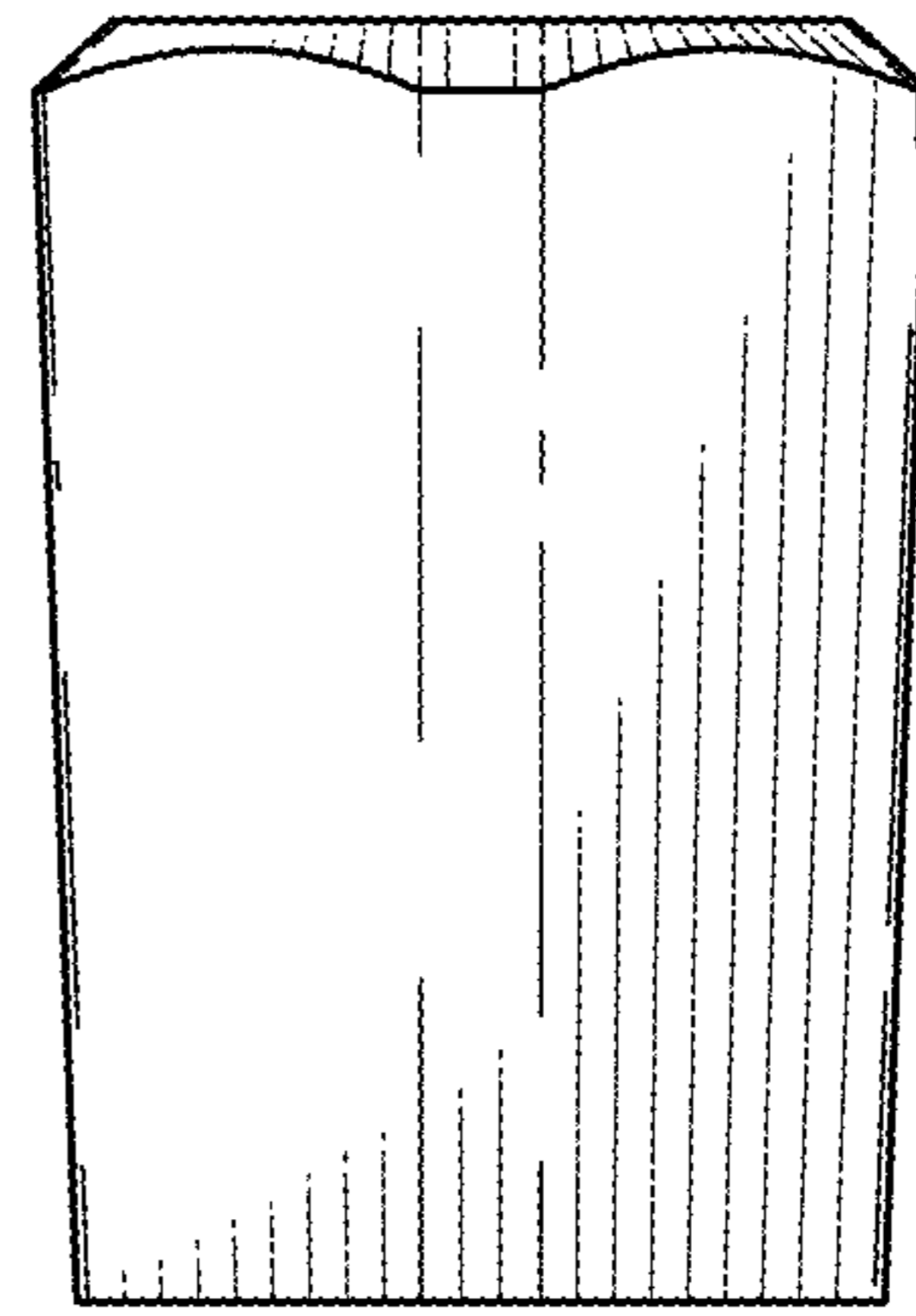


FIG. 16

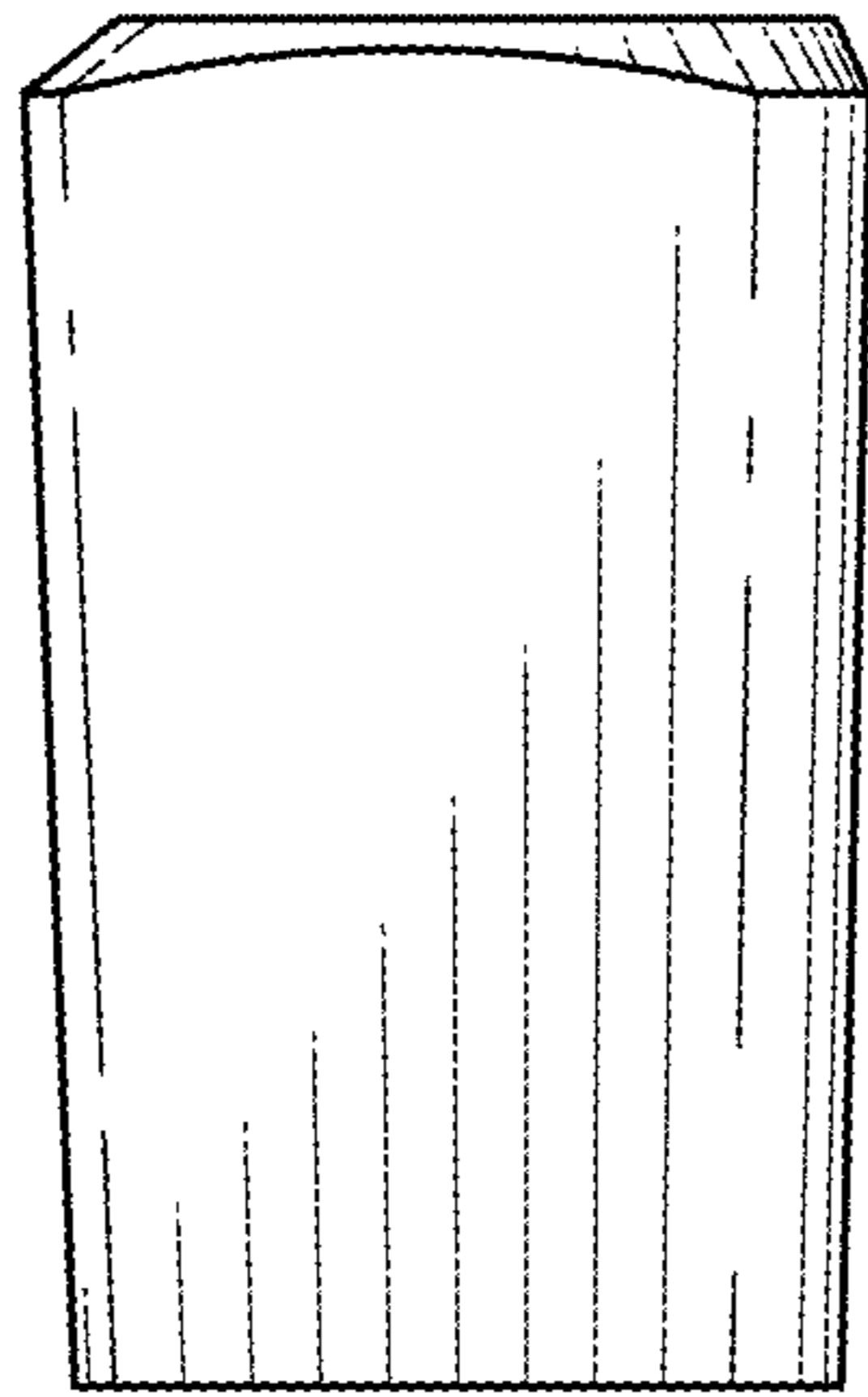


FIG. 17

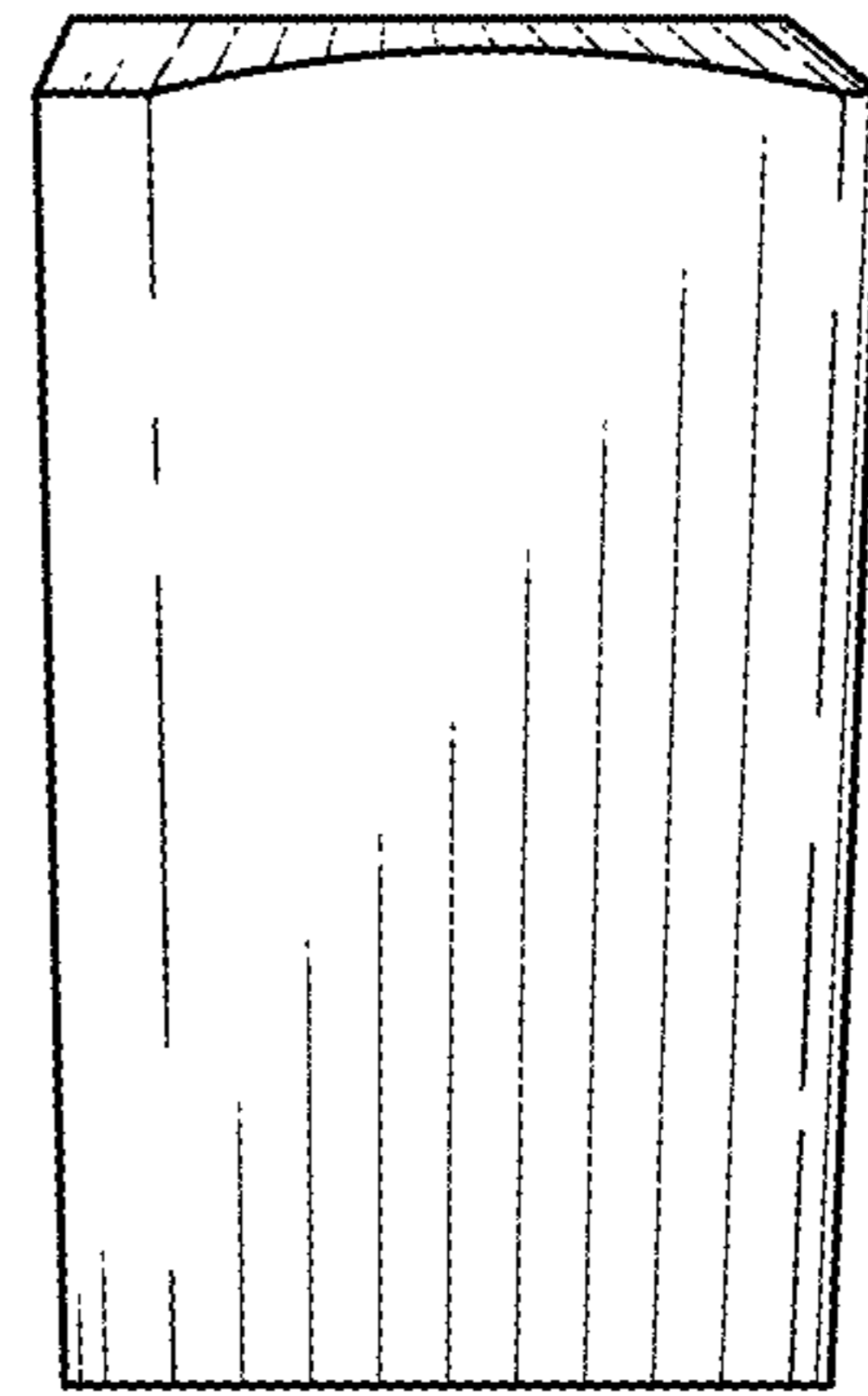


FIG. 18

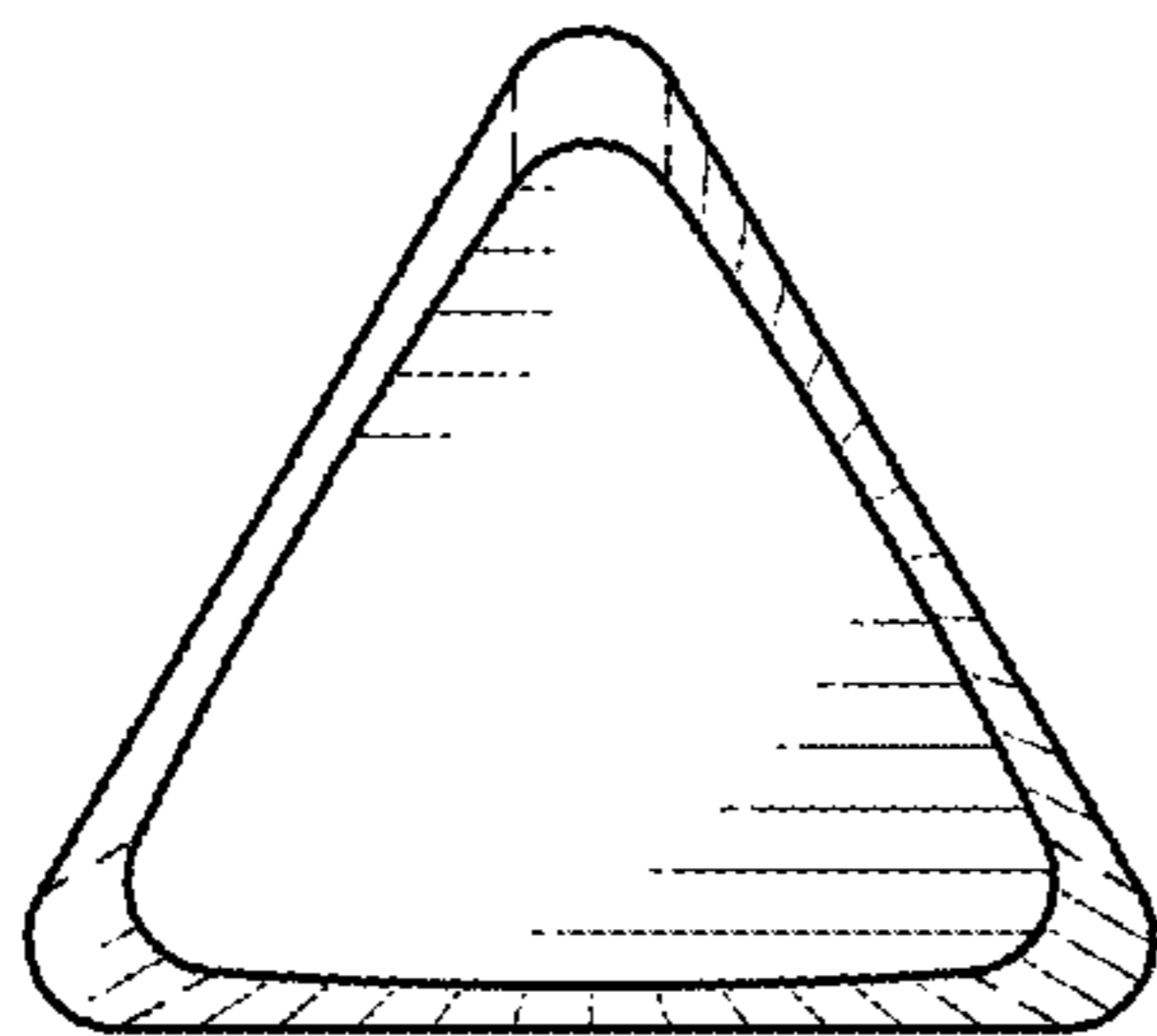


FIG. 19

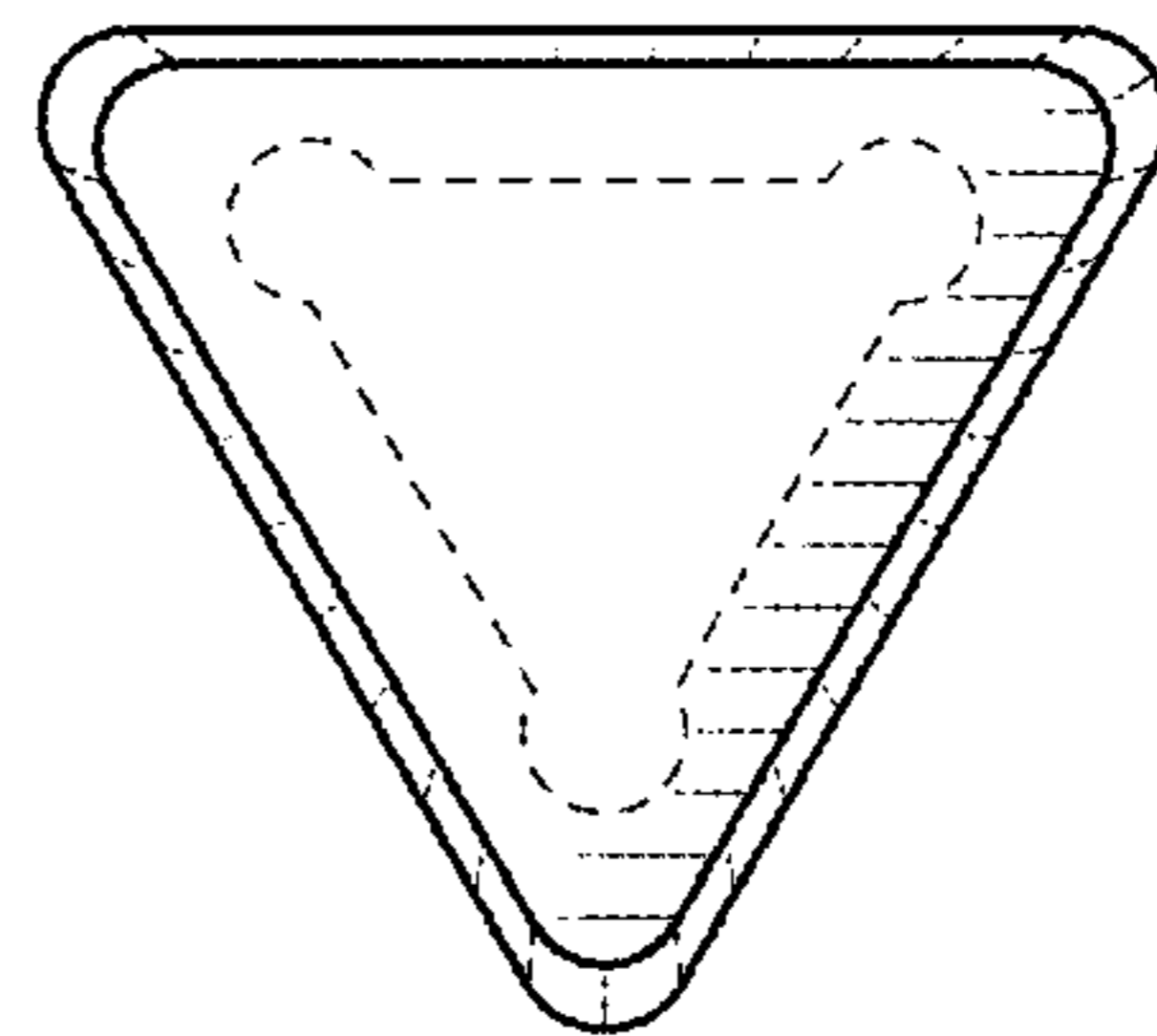


FIG. 20