



US00D827364S

(12) **United States Design Patent** (10) **Patent No.:** **US D827,364 S**
Rummel et al. (45) **Date of Patent:** **** Sep. 4, 2018**

(54) **LID FOR A DRINKING VESSEL**
(71) Applicant: **BRITA GMBH**, Taunusstein (DE)
(72) Inventors: **Christian Rummel**, Benningen (DE);
Tim Storti, Schwieberdingen (DE)
(73) Assignee: **BRITA GMBH**, Taunusstein (DE)
(**) Term: **15 Years**
(21) Appl. No.: **29/574,757**

D621,207 S * 8/2010 Bodum D7/392.1
D651,082 S * 12/2011 Dunwoody D9/435
D661,544 S * 6/2012 Enghard D7/213
D699,516 S 2/2014 Kim
D724,896 S 3/2015 Williams
D733,491 S * 7/2015 Gluck D7/392.1
D736,562 S 8/2015 Green
D740,029 S * 10/2015 Otto D3/302
D760,021 S * 6/2016 Lapsker D7/394
9,387,959 B2 * 7/2016 Dunwoody B65D 41/02
D772,065 S * 11/2016 Mataya D9/436
D788,583 S * 6/2017 Tu D7/392.1

(Continued)

(22) Filed: **Aug. 18, 2016**
(30) **Foreign Application Priority Data**

Mar. 24, 2016 (EM) 003 040 906

(51) **LOC (11) Cl.** **07-99**
(52) **U.S. Cl.**
USPC **D7/392.1**; D7/396.2; D9/435; D9/454
(58) **Field of Classification Search**
USPC D7/392.1, 396.2, 387, 396.3, 388, 900,
D7/507, 555, 510, 511, 533, 536, 397,
D7/398, 396.1, 620, 619.1, 509; D9/436,
D9/434, 435, 454; 220/200, 703;
D8/382, 395, 396, 394
CPC B65D 41/56; B65D 43/02; B65D 1/265;
A47G 19/2216; A47G 19/22; A47G
19/2222

See application file for complete search history.

(56) **References Cited**

U.S. PATENT DOCUMENTS

D457,779 S * 5/2002 Gullickson D7/392.1
D463,207 S * 9/2002 Norris D7/392.1
D470,050 S * 2/2003 Renz D7/396.2
D527,576 S * 9/2006 Gluck D7/392.1
D607,269 S * 1/2010 Andersson D10/101
D612,197 S * 3/2010 Chan D7/392.1
D618,050 S * 6/2010 Eisenhardt D7/392.1

FOREIGN PATENT DOCUMENTS

DE 49912013-0001 2/2000
DE 40011218-0001 11/2000

(Continued)

Primary Examiner — Marianne Pandozzi

Assistant Examiner — Jae Liang

(74) *Attorney, Agent, or Firm* — Hudak, Shunk & Farine
Co. LPA

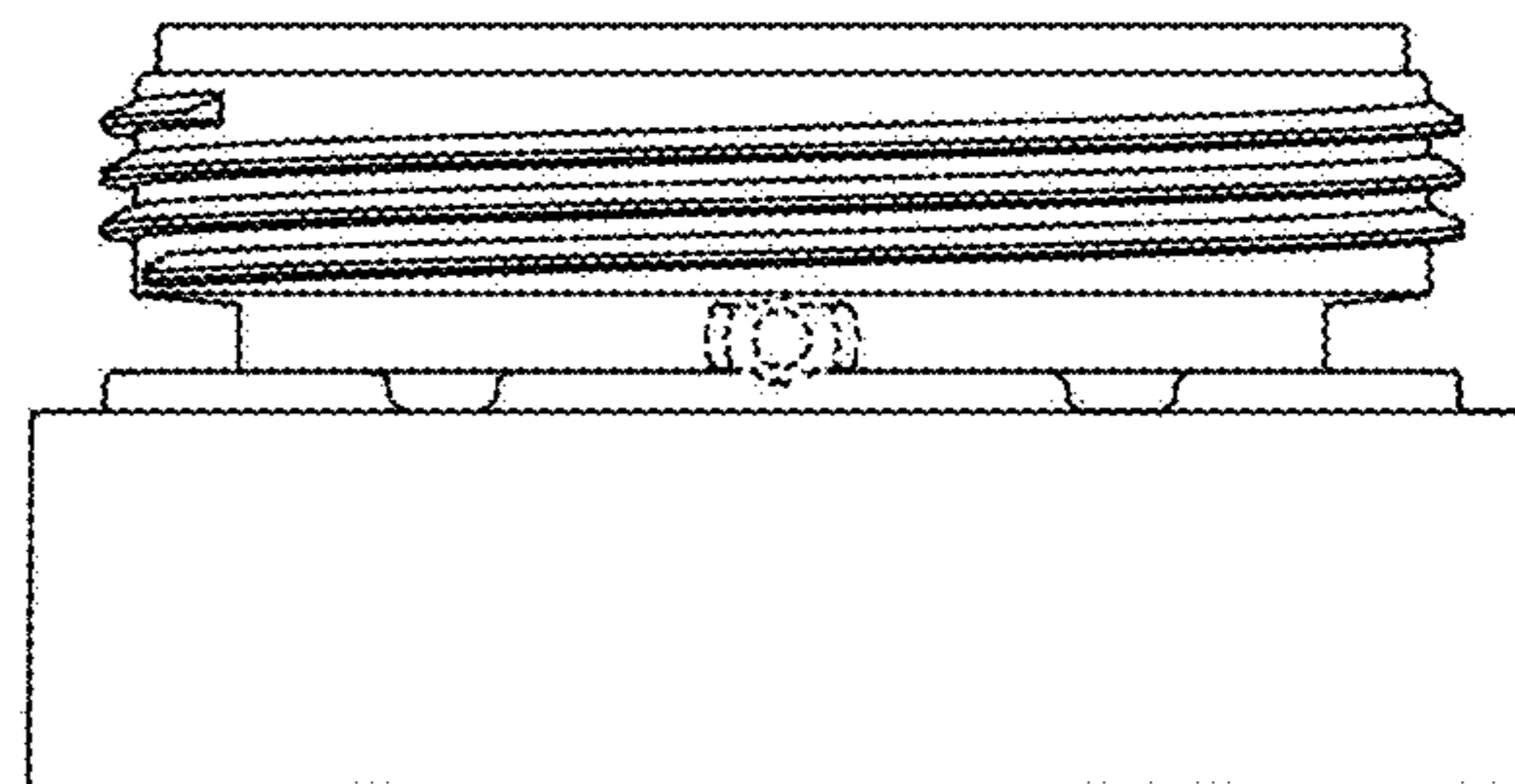
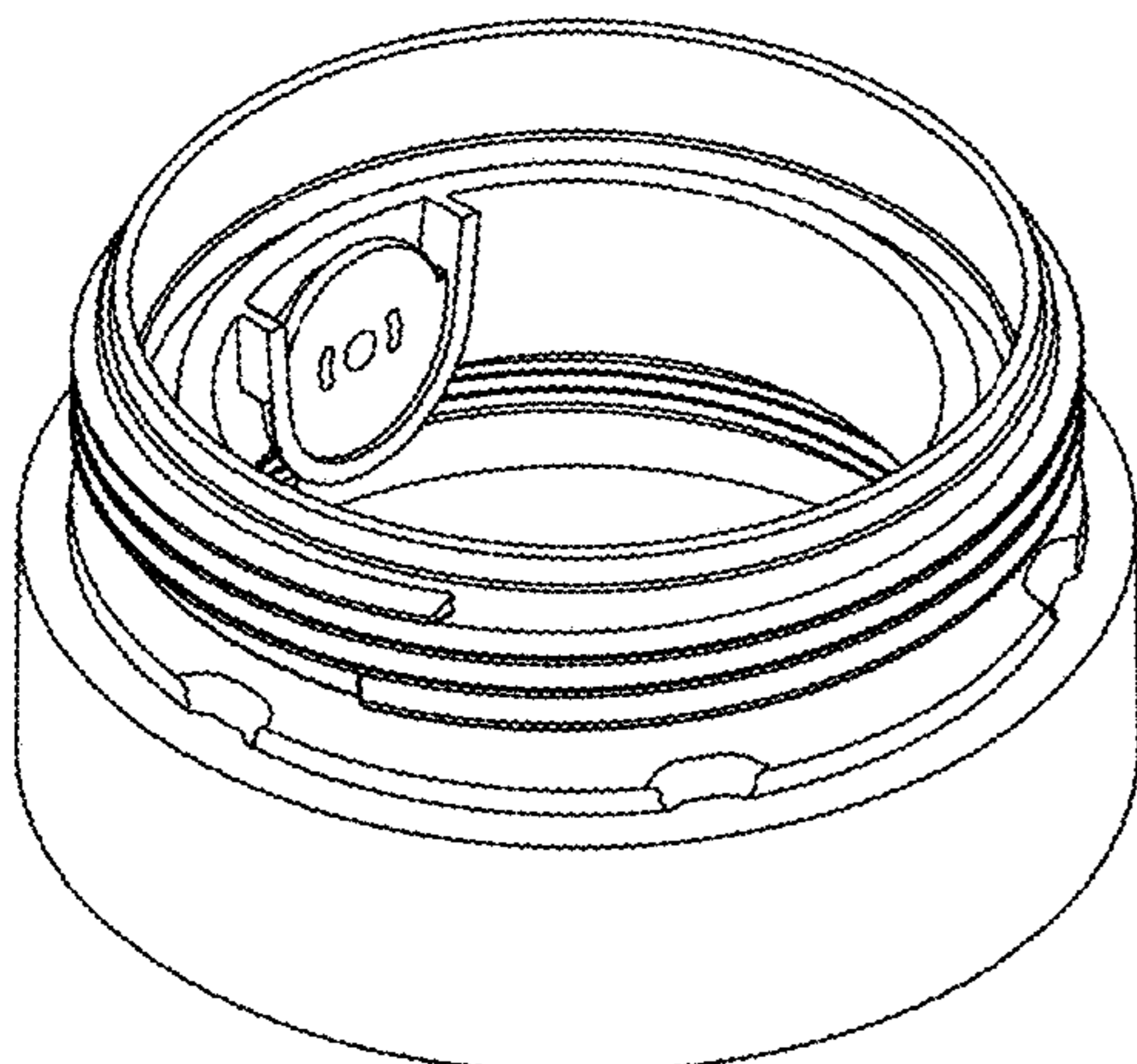
(57) **CLAIM**

The ornamental design for a “lid for a drinking vessel,” as shown and described.

DESCRIPTION

FIG. 1 is a top, front, right side perspective view of a lid for a drinking vessel showing our new design;
FIG. 2 is a top view thereof;
FIG. 3 is a bottom view thereof;
FIG. 4 is a right side view thereof;
FIG. 5 is a left side view thereof;
FIG. 6 is a front view thereof; and,
FIG. 7 is a rear view thereof.
The broken lines in the drawings depict portions of the lid for a drinking vessel that form no part of the claim.

1 Claim, 7 Drawing Sheets



(56)

References Cited

U.S. PATENT DOCUMENTS

2011/0303678 A1* 12/2011 Zomorodi B65D 81/3205
220/574
2014/0091086 A1* 4/2014 Sorensen A47G 19/2205
220/4.27
2014/0311940 A1* 10/2014 Braveman B65D 1/10
206/524.6
2016/0075484 A1* 3/2016 Baughman B44D 3/127
220/254.1

FOREIGN PATENT DOCUMENTS

DE 402010002629-0001 5/2010
DE 402012004085-0012 9/2012
DE 402012004085-0023 9/2012
DE 402012004085-0025 9/2012
EM 000605902-0001 10/2006
EM 000605902-0002 10/2006
JP 1391631 S 7/2009
JP 1509480 S 12/2012

* cited by examiner

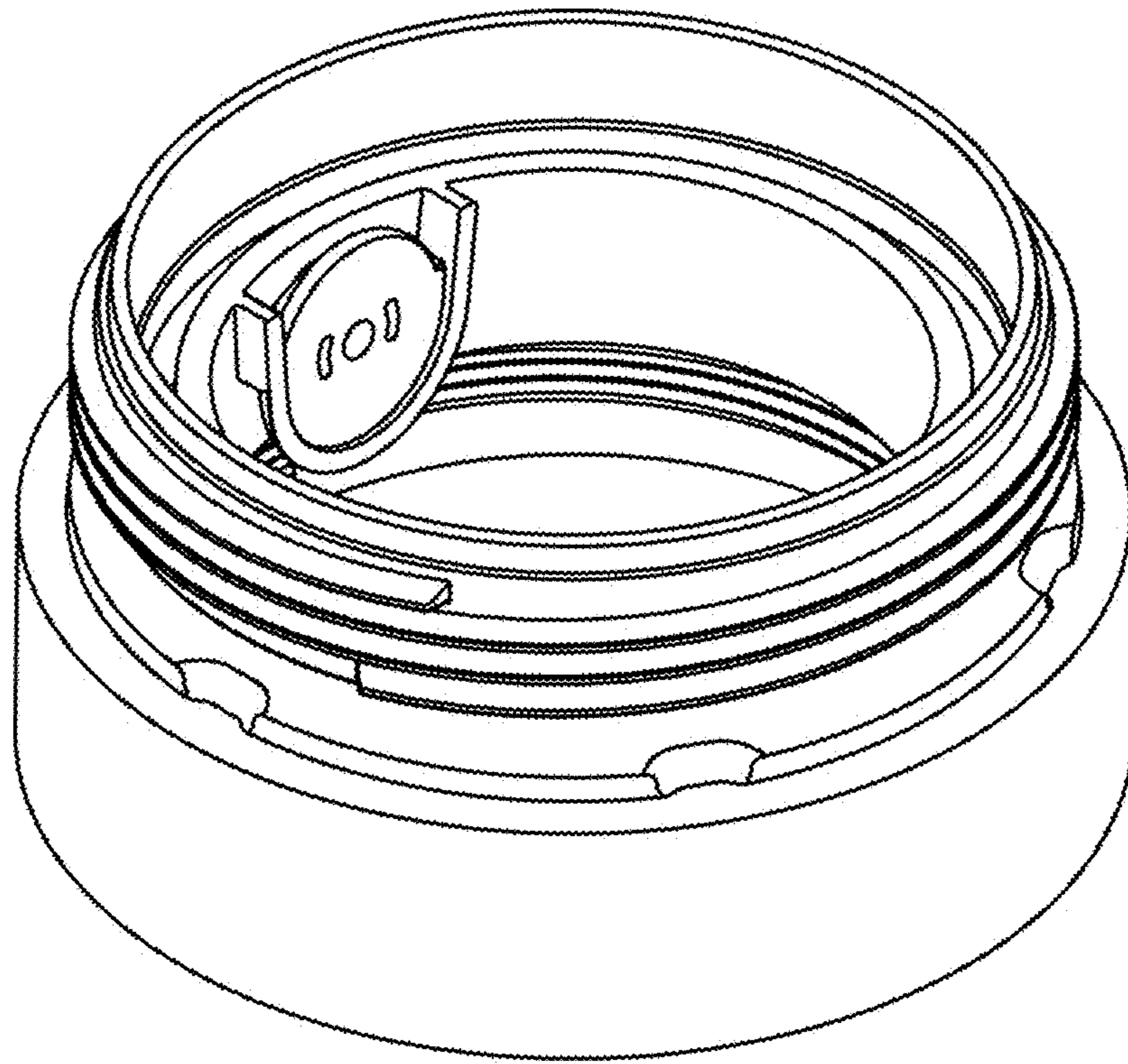


FIG. 1

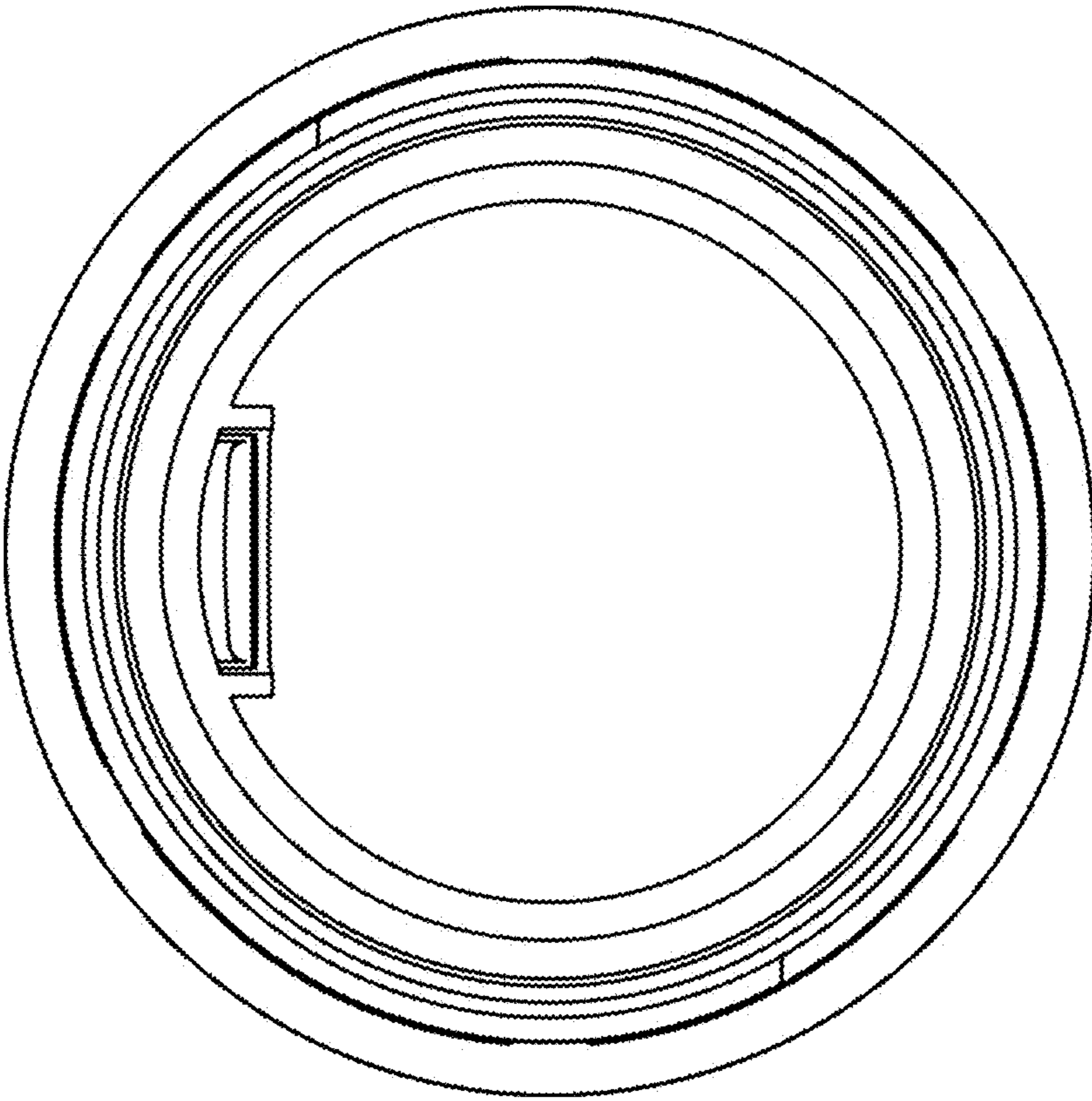


FIG. 2

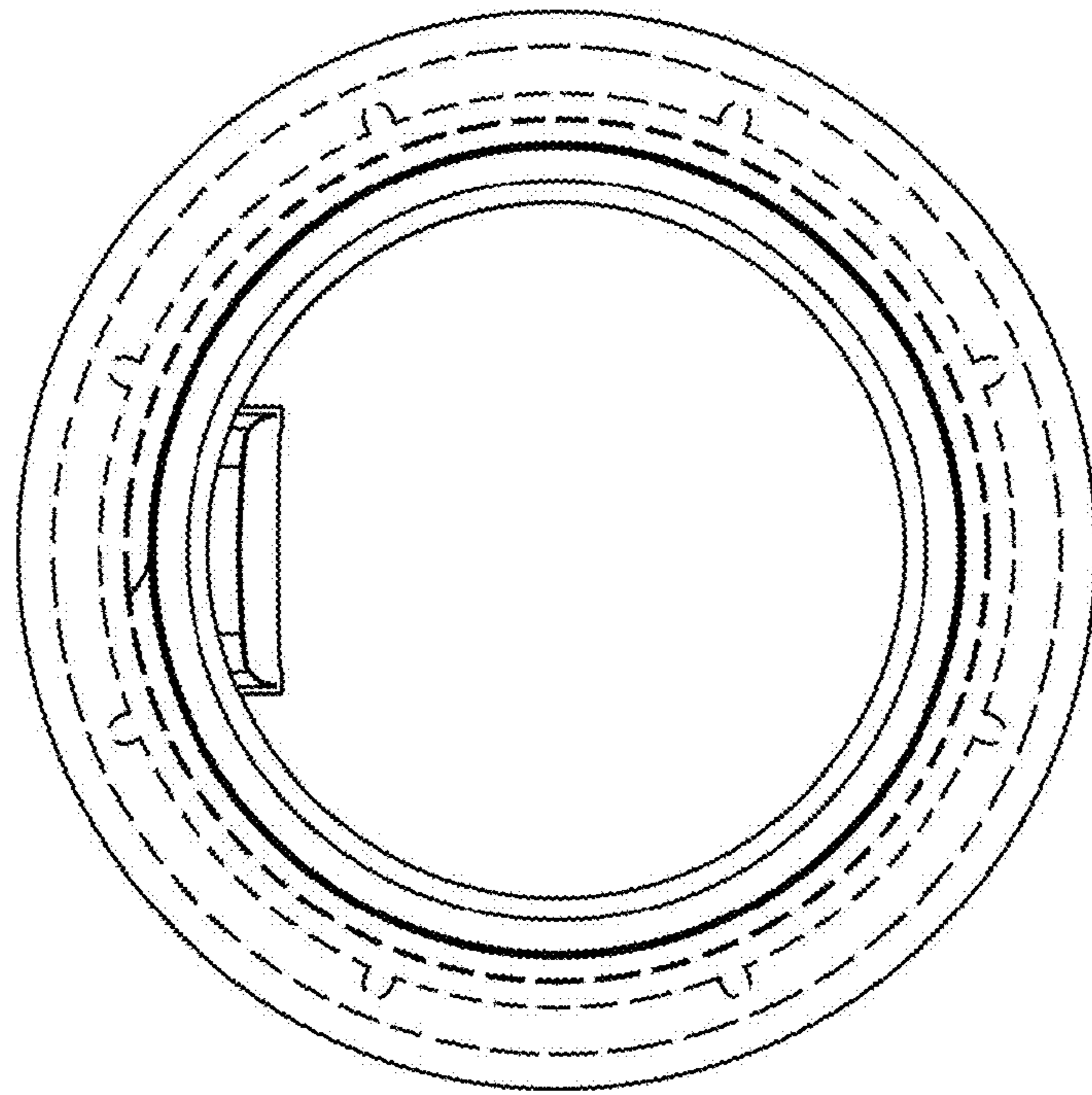


FIG. 3

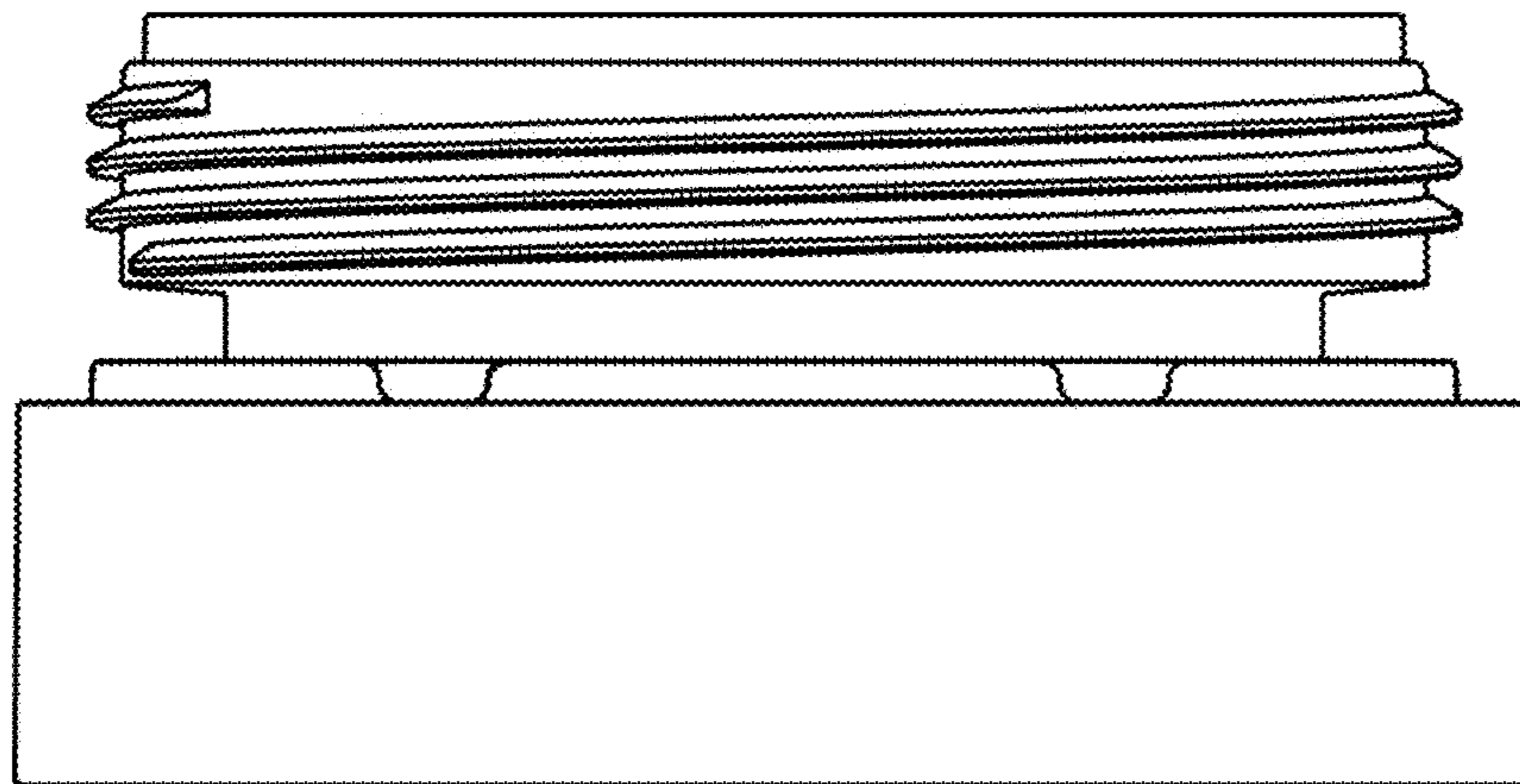


FIG. 4

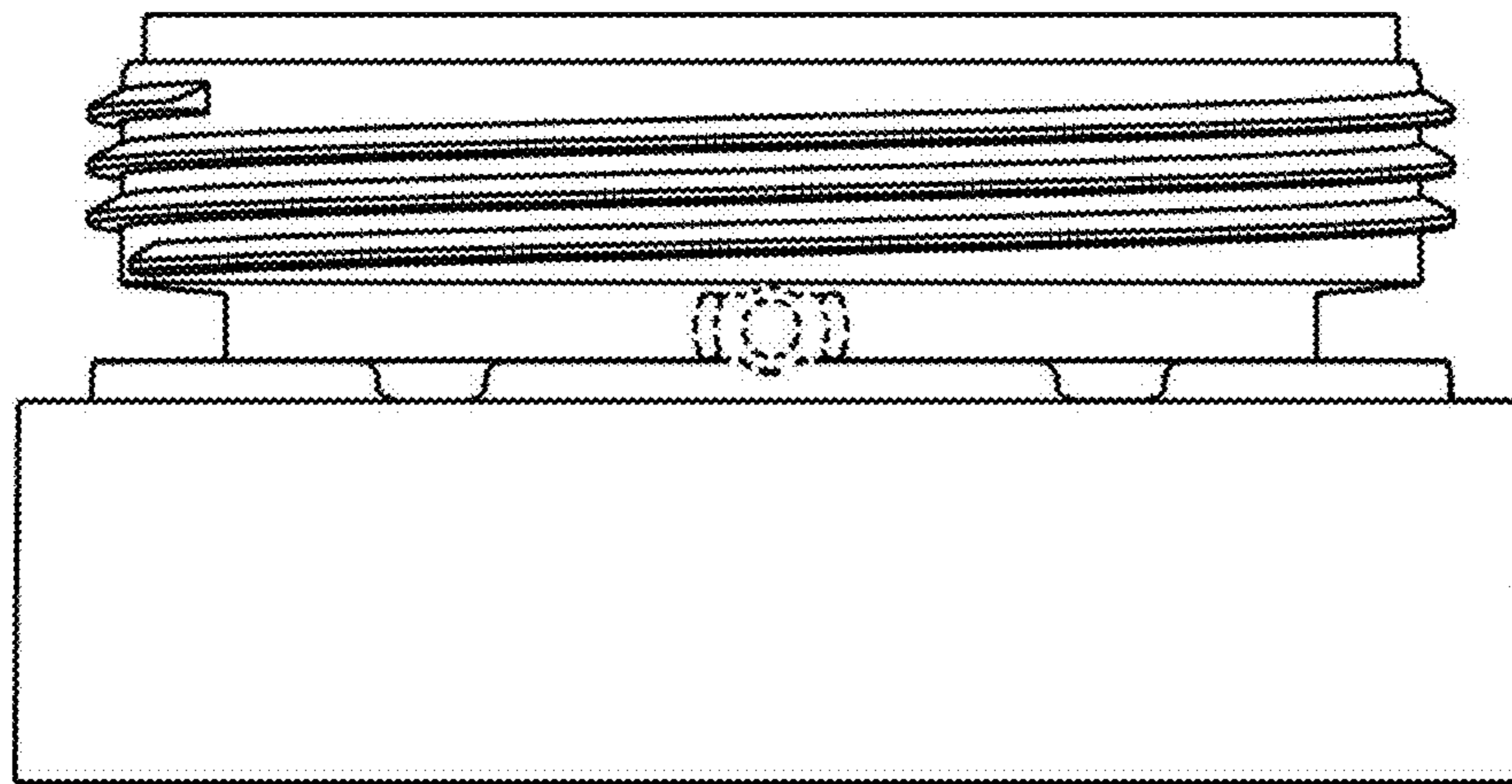


FIG. 5

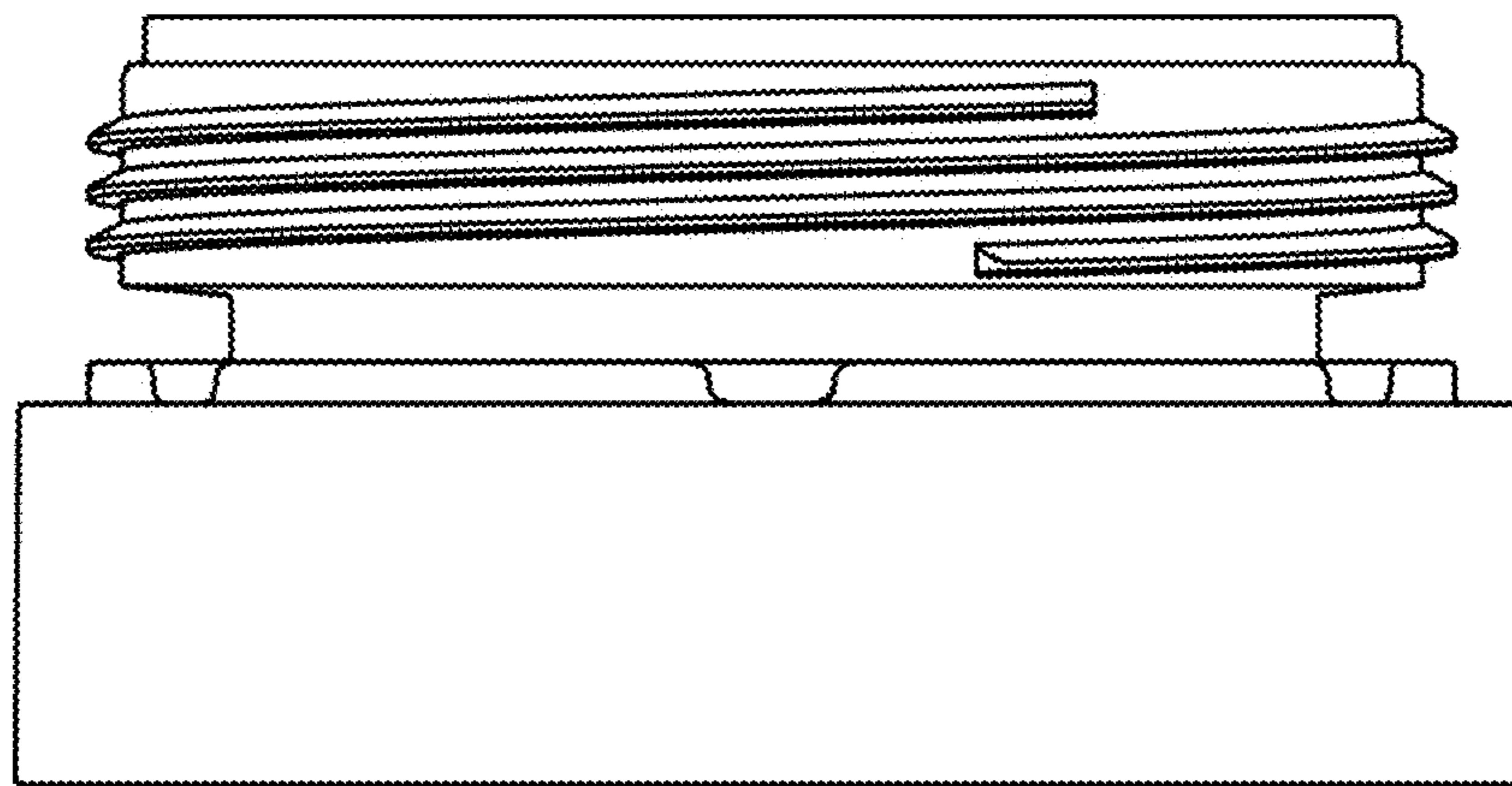


FIG. 6

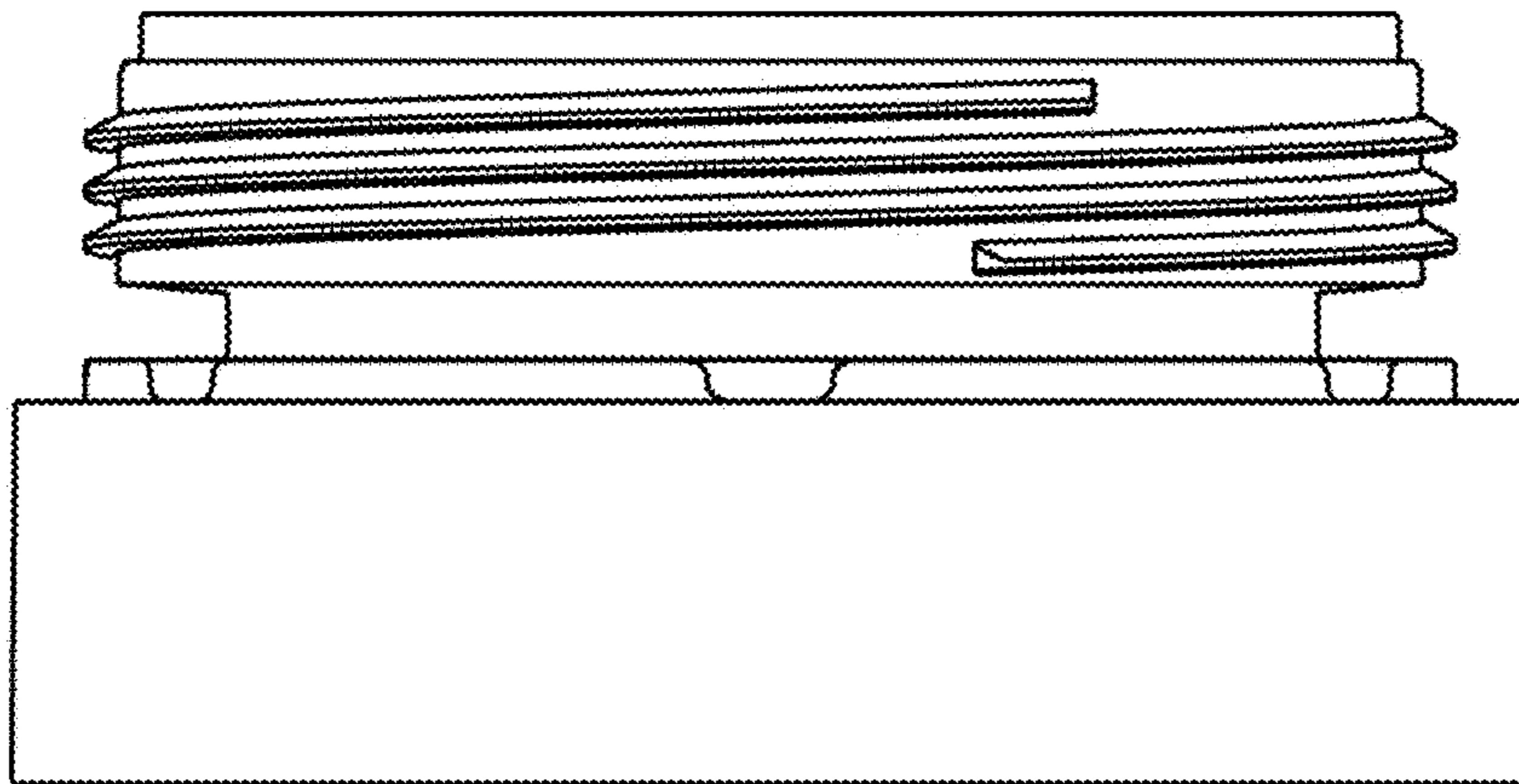


FIG. 7