



US00D827363S

(12) **United States Design Patent**
Matsui

(10) **Patent No.:** **US D827,363 S**
(45) **Date of Patent:** **** Sep. 4, 2018**

(54) **LID**

(71) Applicant: **MISAINÉ TRADE, INC.**, Torrance,
CA (US)

(72) Inventor: **Hiroataka Matsui**, Lomita, CA (US)

(73) Assignee: **MISAINÉ TRADE, INC.**, Torrance,
CA (US)

(**) Term: **15 Years**

(21) Appl. No.: **29/563,905**

(22) Filed: **May 9, 2016**

Related U.S. Application Data

(63) Continuation of application No. 29/511,101, filed on
Dec. 5, 2014, now Pat. No. Des. 755,628.

(51) **LOC (11) Cl.** **07-01**

(52) **U.S. Cl.**
USPC **D7/392.1; D9/447**

(58) **Field of Classification Search**
USPC D7/300, 300.1, 303, 316, 323, 387, 392,
D7/392.1, 396.2, 397, 398, 509-511, 566;
D9/428, 430, 431, 434-436, 438-440,
D9/443-447, 448-450, 452-454, 499,
D9/549, 574, 715, 717-719, 738, 740,
D9/742, 746, 763, 778-780; D23/260,
D23/269, 390; D3/202, 203.1, 203.2,
D3/318; D24/224; D28/76, 82, 88
CPC A47G 19/22; B65D 41/04; B65D 47/06
See application file for complete search history.

(56) **References Cited**

U.S. PATENT DOCUMENTS

| | | |
|------------|---------|---------------|
| D154,671 S | 8/1949 | Foley |
| D240,887 S | 8/1976 | Daenen |
| D397,905 S | 9/1998 | Hsu |
| D432,421 S | 10/2000 | Sullivan, Jr. |
| D458,081 S | 6/2002 | Bodum |
| D480,268 S | 10/2003 | Laib |

| | | | |
|--------------|--------|-------------|----------|
| D494,470 S | 8/2004 | Guyot | |
| D504,796 S * | 5/2005 | Schuler | D7/392.1 |
| D547,605 S * | 7/2007 | Edelstein | D7/392.1 |
| D547,610 S * | 7/2007 | Edelstein | D7/510 |
| D559,615 S | 1/2008 | Laib et al. | |

(Continued)

OTHER PUBLICATIONS

Quora. Why is the Solo Traveler the dominant coffee cup lid?
Answer by Anthony Bayss. Apr. 3, 2015 [earliest online date], [site
visited Apr. 11, 2018]. Available from Internet, <URL:https://www.
quora.com/Why-is-the-Solo-Traveler-the-dominant-coffee-cup-
lid>. (Year: 2015).*

Primary Examiner — Eric L Goodwin

Assistant Examiner — Darcey E Heflin

(74) *Attorney, Agent, or Firm* — Knobbe, Martens, Olson
& Bear, LLP

(57) **CLAIM**

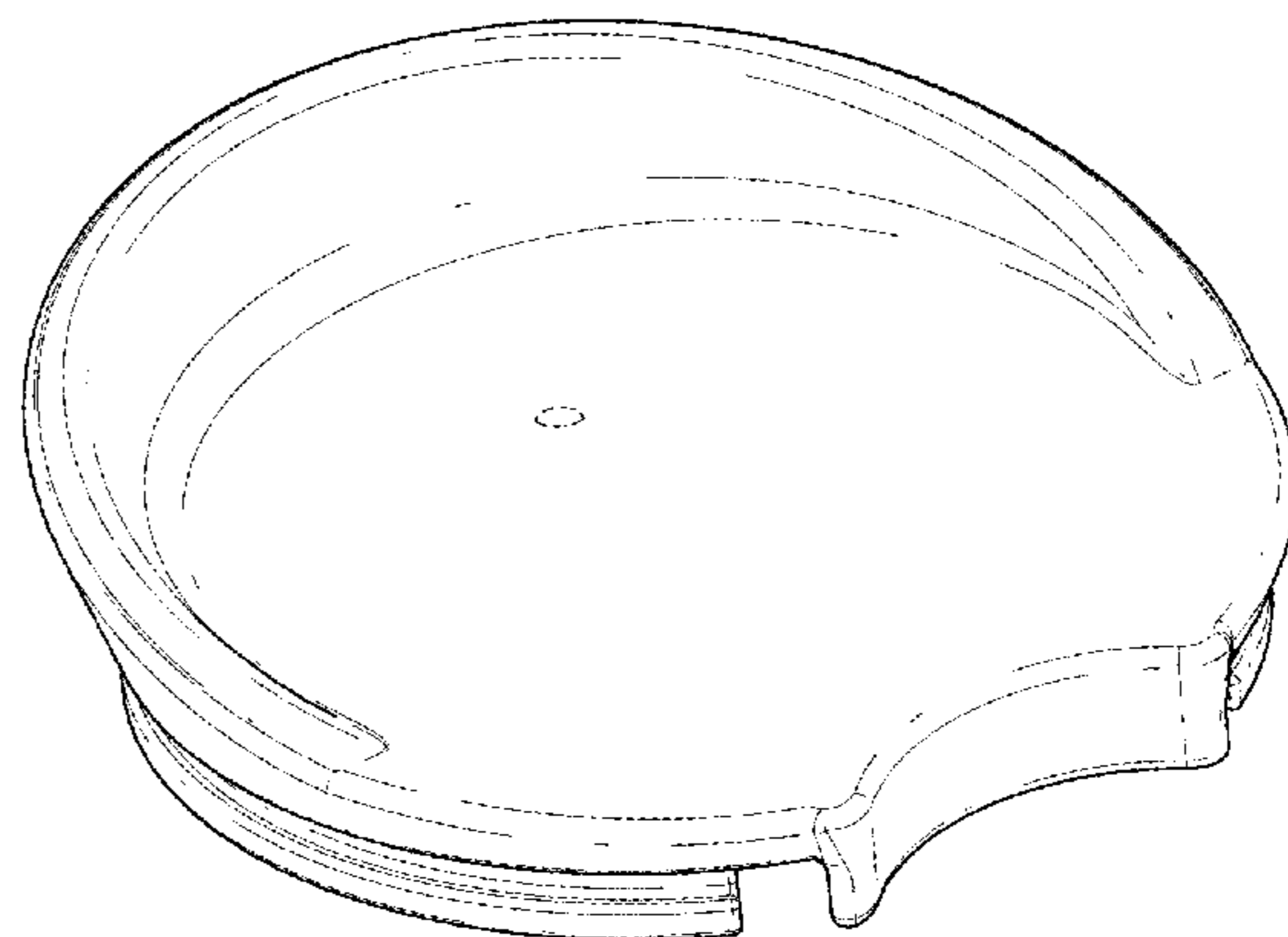
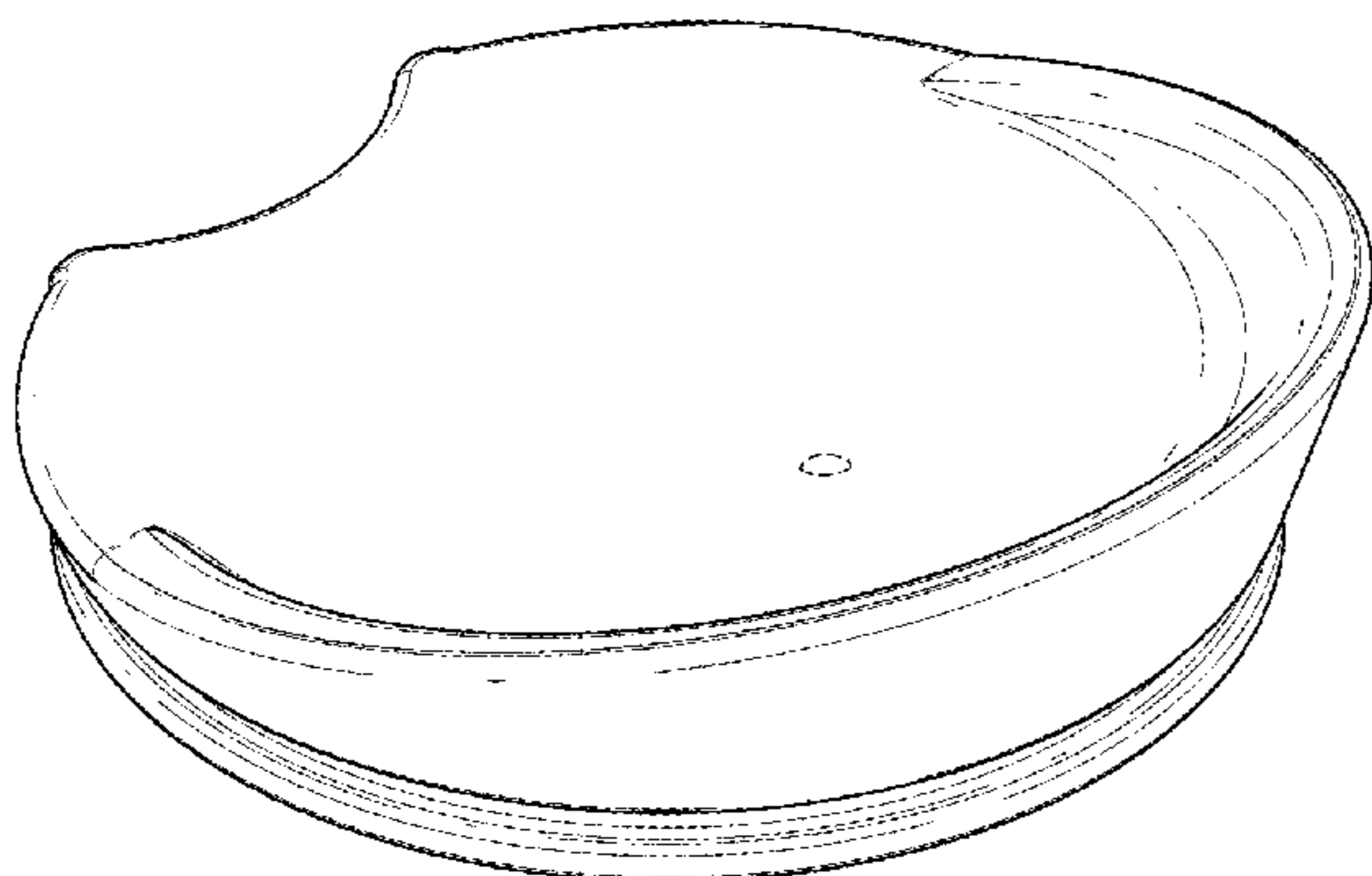
The ornamental design for a lid, as shown and described
herein.

DESCRIPTION

FIG. 1 is a first perspective view of a lid.
FIG. 2 is a second perspective view of the lid of FIG. 1 taken
from the opposite side.
FIG. 3 is a third perspective view of the lid of FIG. 1 taken
from the bottom.
FIG. 4 is a first side view of the lid of FIG. 1.
FIG. 5 is a second side view of the lid of FIG. 1 taken from
the opposite side of FIG. 4.
FIG. 6 is a front view of the lid of FIG. 1.
FIG. 7 is a back view of the lid of FIG. 1.
FIG. 8 is a top view of the lid of FIG. 1.
FIG. 9 is a bottom view of the lid of FIG. 1; and,
FIG. 10 is a cross-sectional side view of the lid of FIG. 1,
wherein the cross-section is taken along line 10-10 of FIG.
8.

The broken lines disclosing the environment related to the
claimed design and form no part of the claimed design.

1 Claim, 8 Drawing Sheets



(56)

References Cited

U.S. PATENT DOCUMENTS

D565,901 S 4/2008 Edelstein et al.
D569,181 S 5/2008 Homma
D574,190 S 8/2008 Homma
D597,836 S * 8/2009 Stuart D9/435
D627,192 S * 11/2010 Gilbert D7/392.1
D628,886 S * 12/2010 Gonzalez Sanchez D9/449
D637,079 S 5/2011 Brown et al.
D641,209 S * 7/2011 Ablo D7/392.1
D647,753 S * 11/2011 Lin D7/392.1
D647,760 S 11/2011 Pearson
D653,085 S 1/2012 Swallow
D661,939 S 6/2012 Kern et al.
D662,354 S 6/2012 Bodum
D666,052 S * 8/2012 Trombly D7/392.1
D666,490 S 9/2012 Leon
D669,736 S 10/2012 Bodum
D683,184 S 5/2013 Lin
D690,988 S * 10/2013 Audette D7/392.1
D691,416 S * 10/2013 Eyal D7/396.2
D691,847 S * 10/2013 Beckman D7/392.1
D696,941 S * 1/2014 Kim D9/447
D696,942 S 1/2014 Kim
D696,943 S 1/2014 Kim
D705,058 S 5/2014 Kim
D719,023 S * 12/2014 Hu D9/449
D731,244 S 6/2015 Kohl
D734,152 S 7/2015 Hager et al.
D736,621 S 8/2015 Ivancic
D744,277 S 12/2015 Kostler et al.
D753,999 S * 4/2016 Crosby D9/447
D754,471 S * 4/2016 Caneer D7/392.1
D755,628 S * 5/2016 Matsui D9/447
2016/0331167 A1 * 11/2016 Matsui A47G 23/0233

* cited by examiner

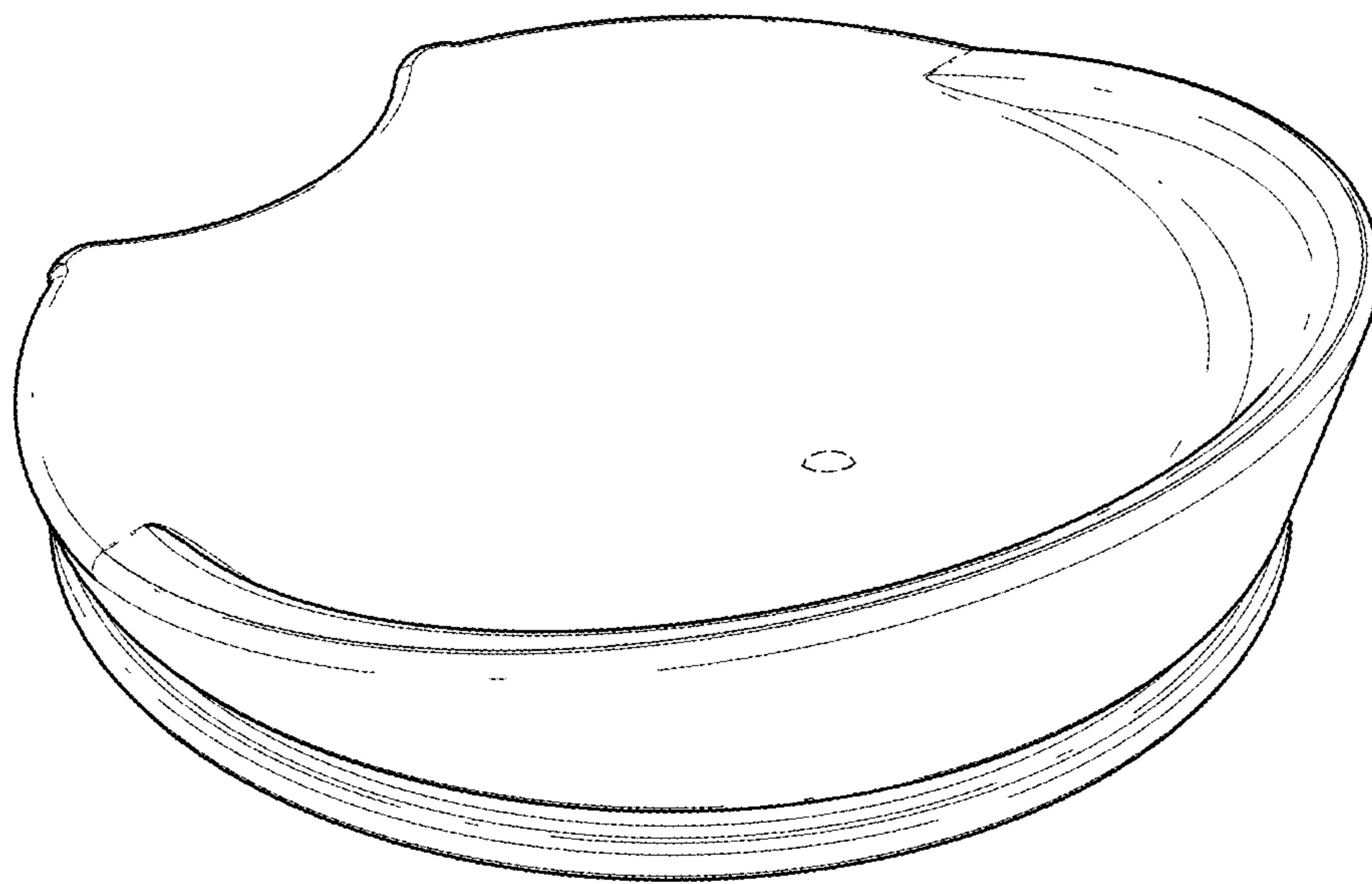


FIG. 1

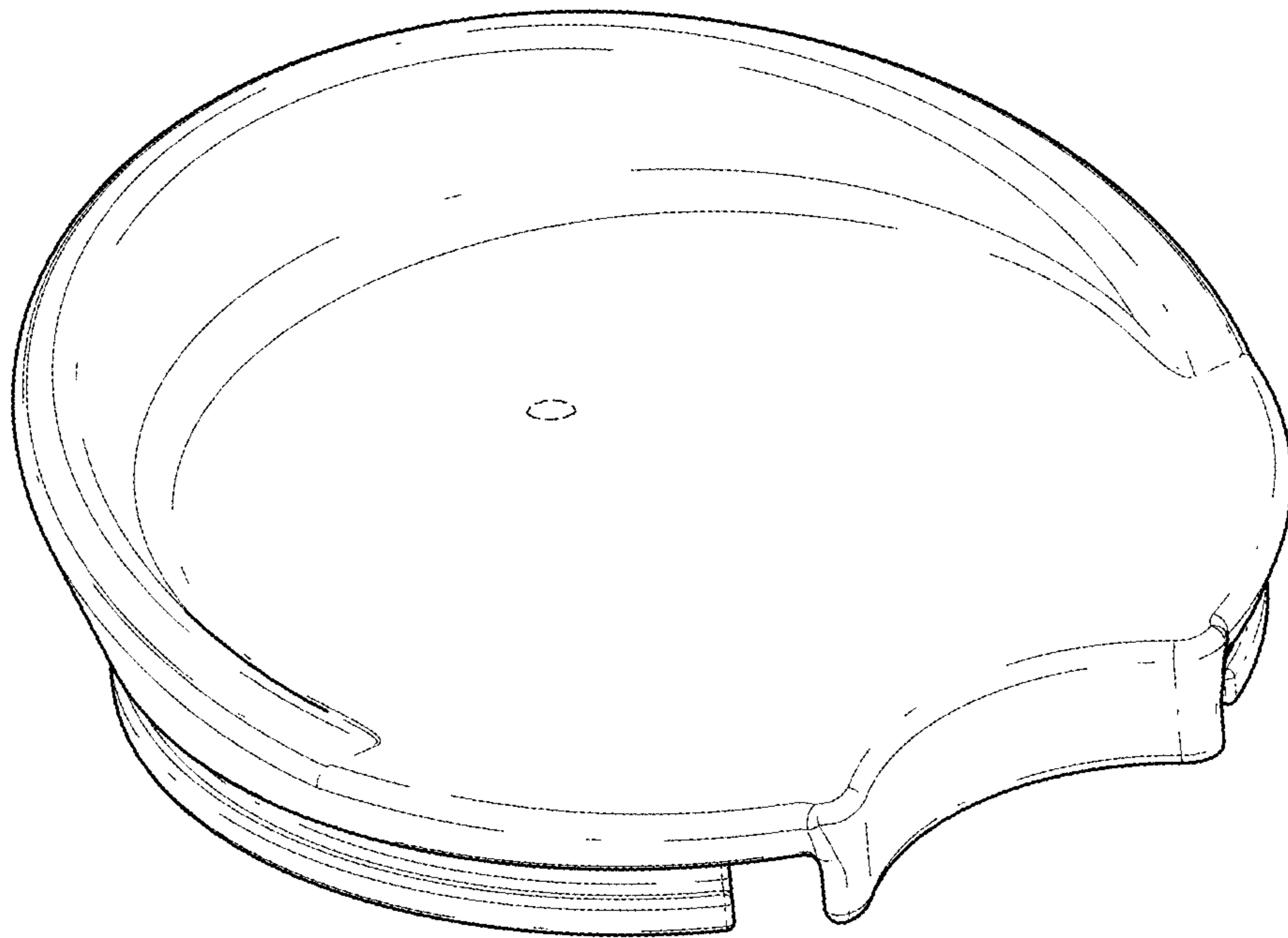


FIG. 2

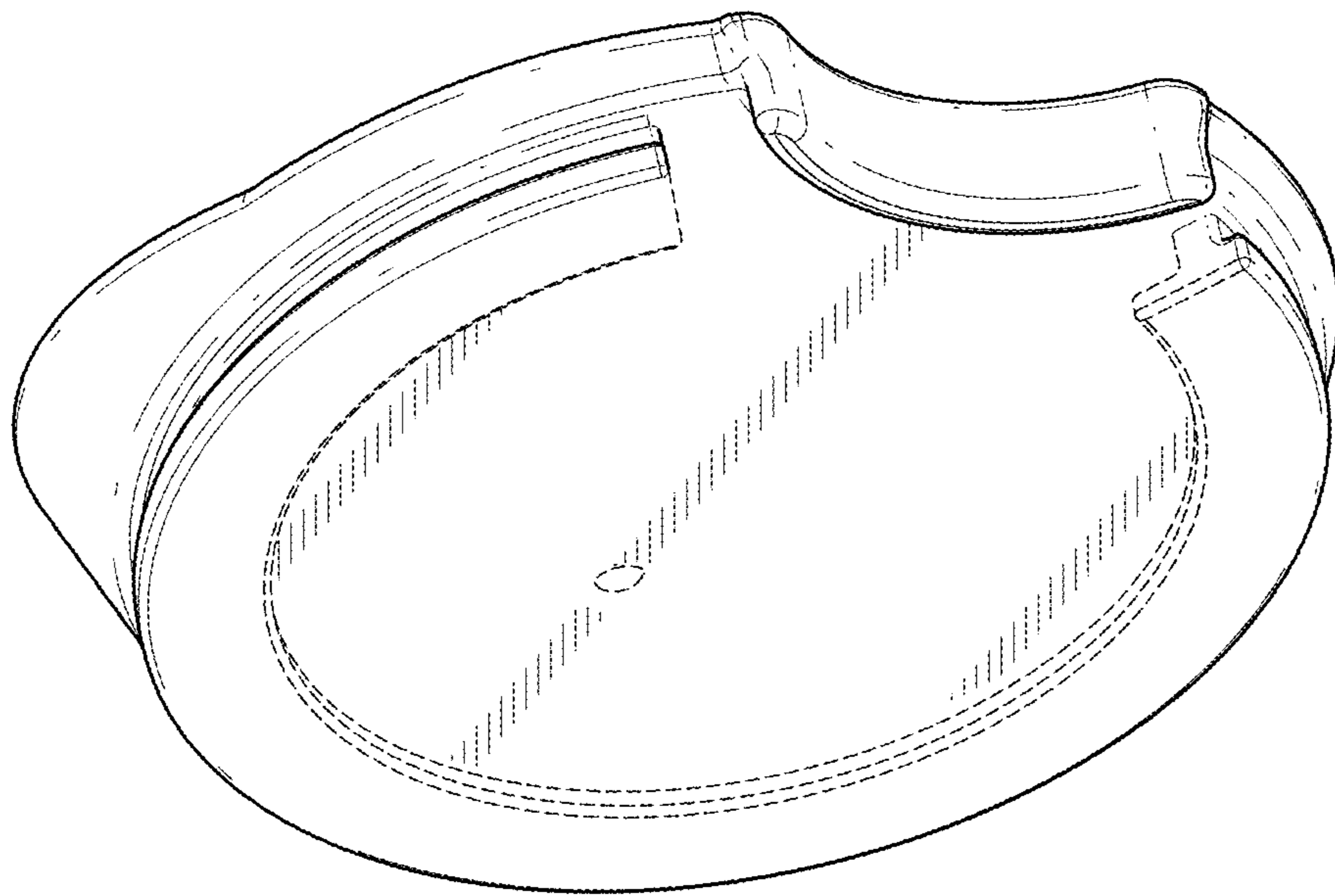


FIG. 3

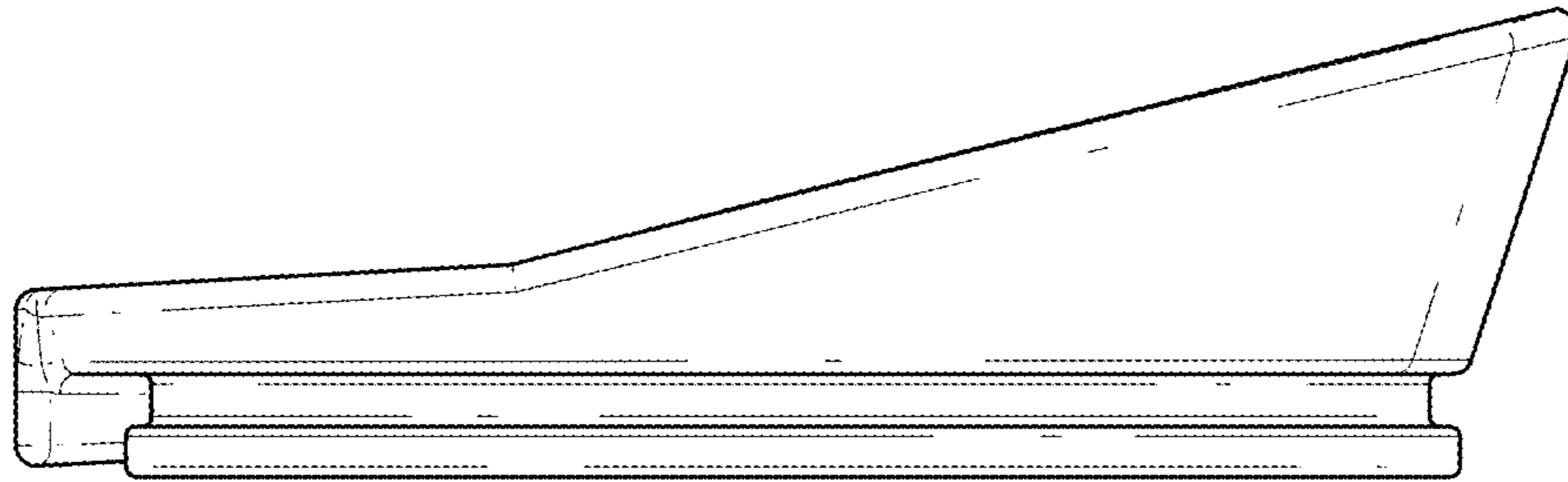


FIG. 4

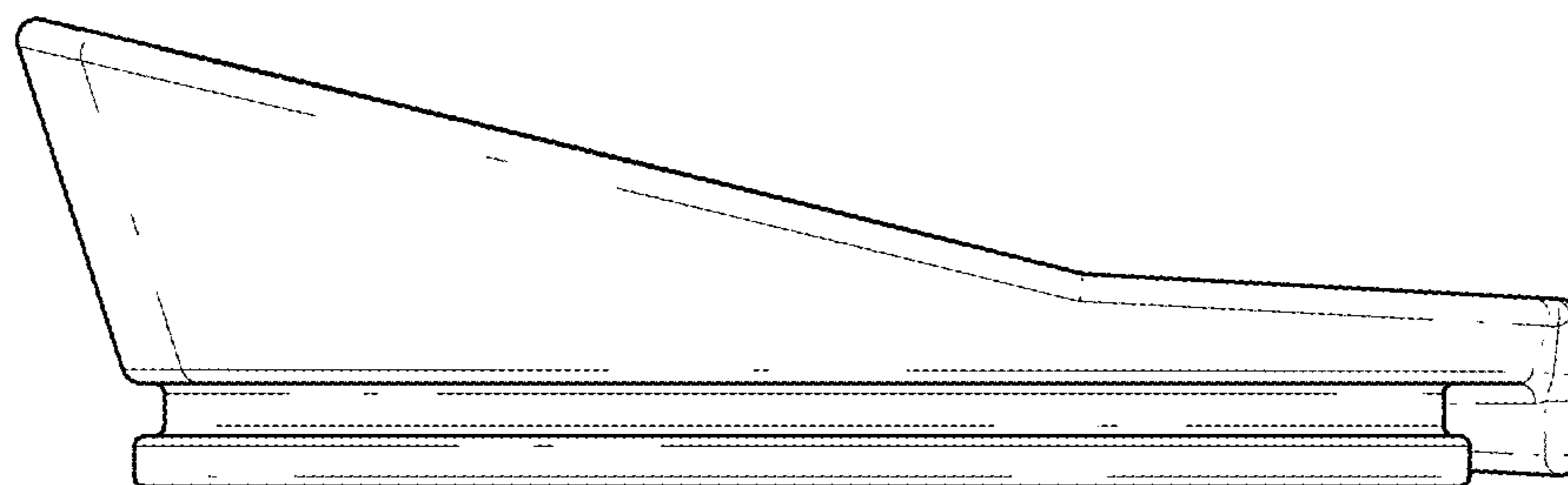


FIG. 5

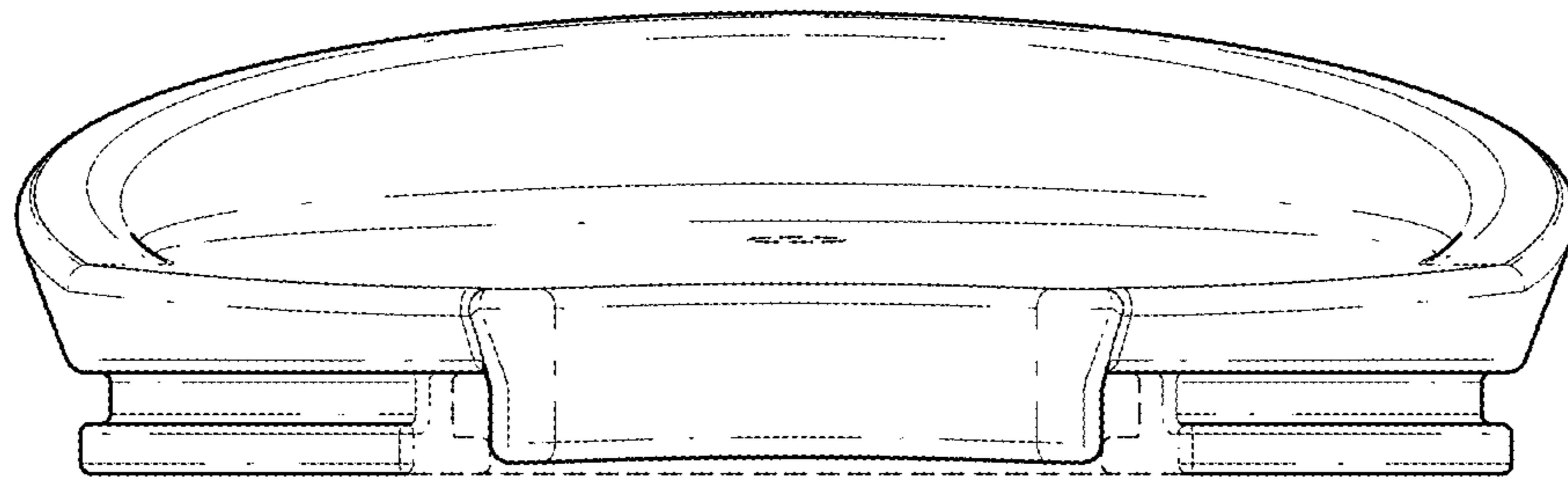


FIG. 6

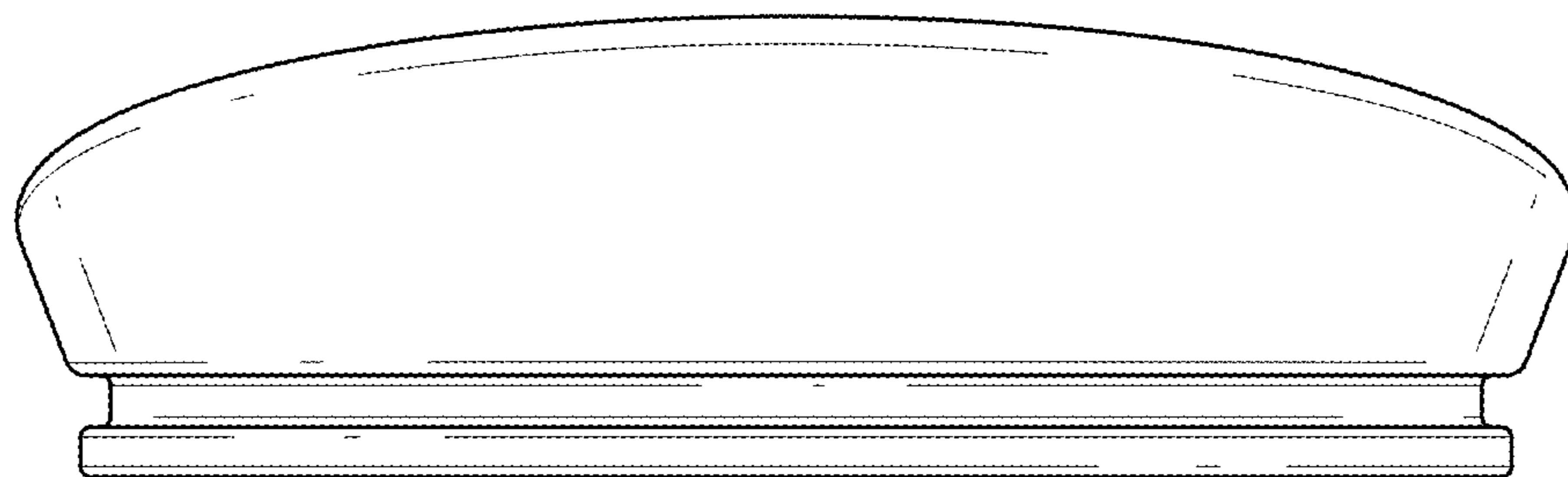


FIG. 7

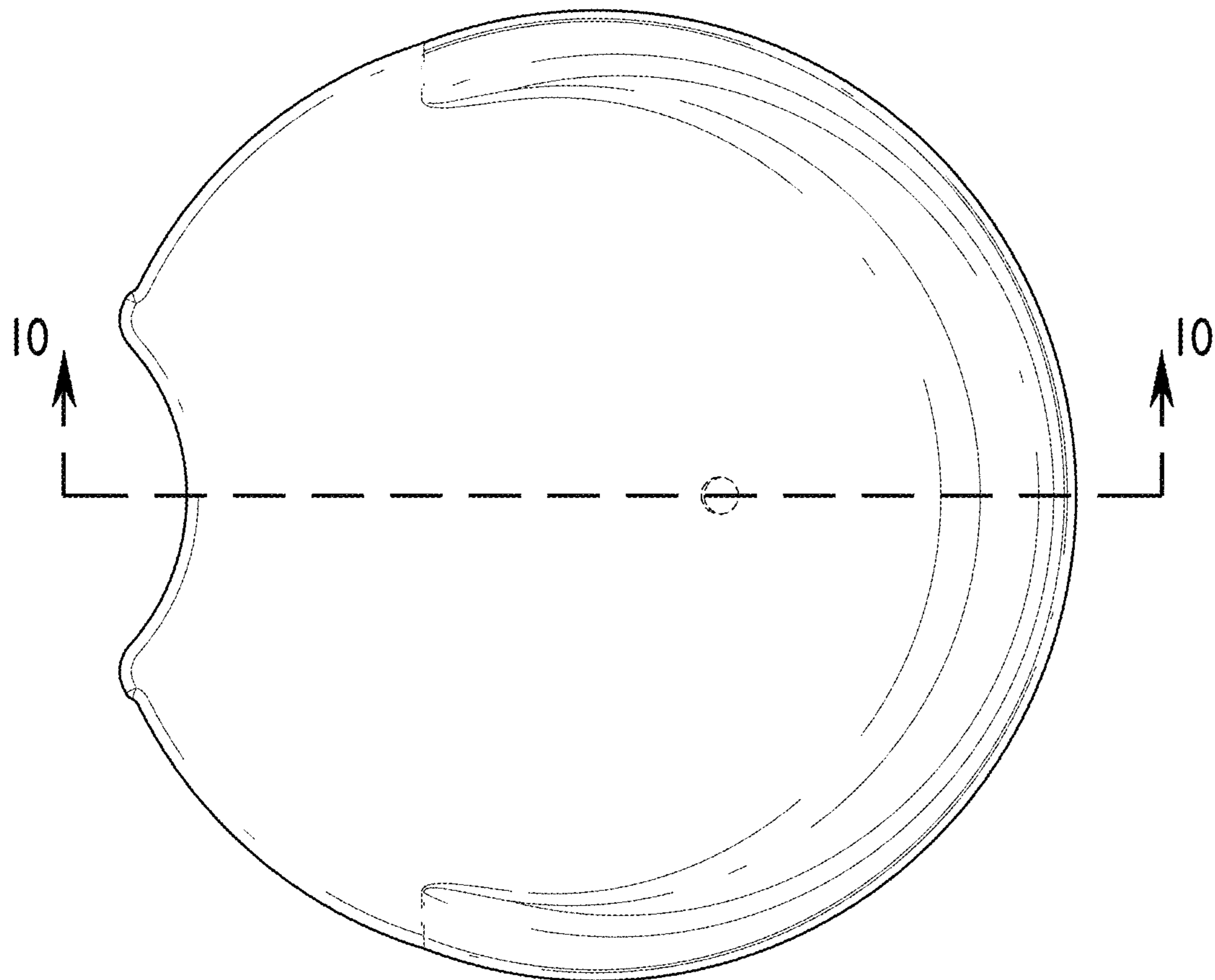


FIG. 8

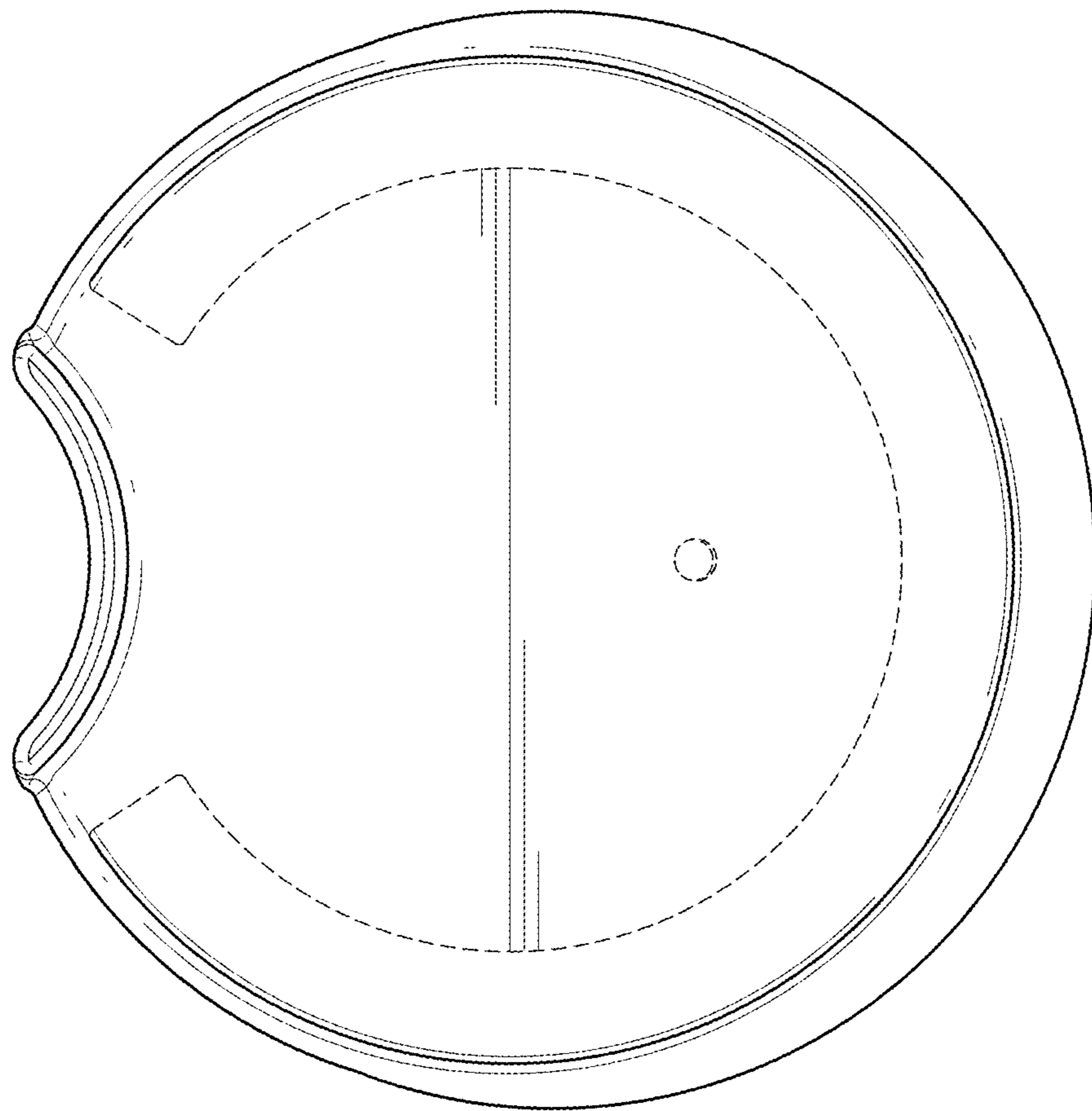


FIG. 9

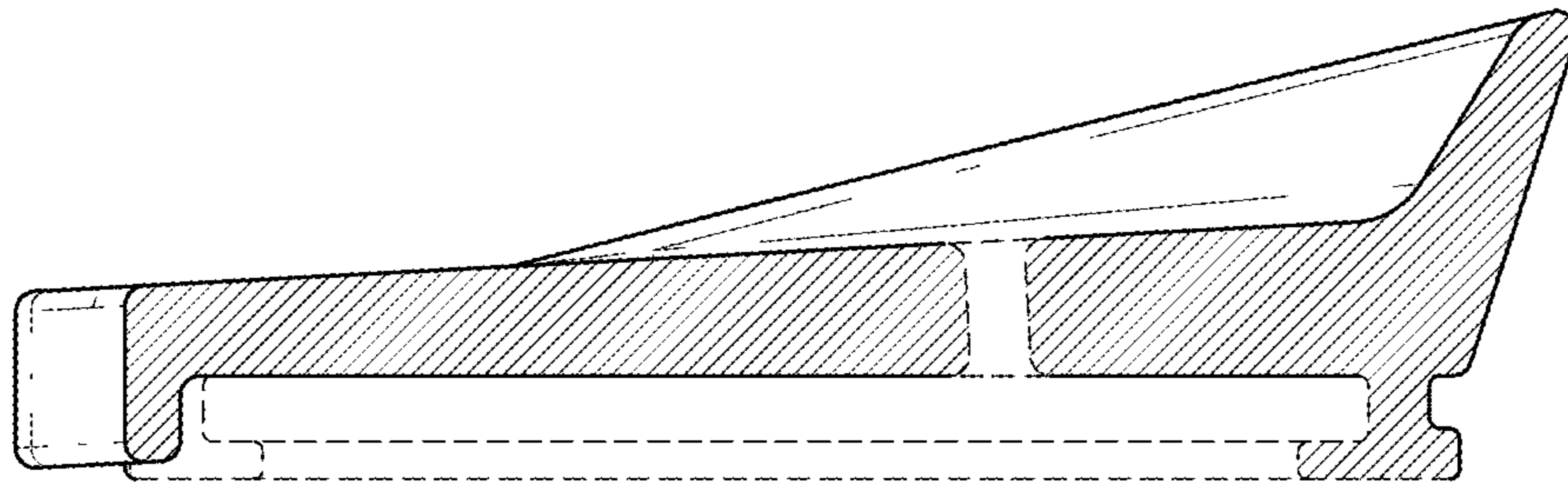


FIG. 10