



US00D827360S

(12) **United States Design Patent**  
**Chung et al.**

(10) **Patent No.:** **US D827,360 S**

(45) **Date of Patent:** **\*\* Sep. 4, 2018**

(54) **RICE COOKER**

(71) Applicant: **KONINKLIJKE PHILIPS N.V.**,  
Eindhoven (NL)

(72) Inventors: **Waikit Chung**, Shanghai (CN); **Deguo Miao**, Shanghai (CN)

(73) Assignee: **KONINKLIJKE PHILIPS N.V.**,  
Eindhoven (NL)

(\*\*) Term: **15 Years**

(21) Appl. No.: **35/502,244**

(22) Filed: **Jul. 4, 2016**

(80) **Hague Agreement Data**

Int. Filing Date: **Jul. 4, 2016**

Int. Reg. No.: **DM/091719**

Int. Reg. Date: **Jul. 4, 2016**

Int. Reg. Pub. Date: **Jan. 6, 2017**

(51) **LOC (11) Cl.** ..... **07-02**

(52) **U.S. Cl.**

USPC ..... **D7/354**

(58) **Field of Classification Search**

USPC ..... D7/323, 354-361, 391

CPC ..... A47J 2027/043; A47J 27/04; A47J 27/00;

A47J 27/004; A23L 5/13; H05B 6/687;

H05B 1/0261

See application file for complete search history.

(56) **References Cited**

**U.S. PATENT DOCUMENTS**

2,121,165 A \* 6/1938 Slobodkin ..... A47G 19/02

220/574

D330,825 S \* 11/1992 Sekita ..... D7/354

D382,766 S *	8/1997	Hamada .....	D7/354
D547,602 S *	7/2007	Yamasaki .....	D7/387
D606,800 S *	12/2009	Bodum .....	D7/354
D609,522 S *	2/2010	Nakatani .....	D7/354
D646,925 S *	10/2011	Okajima .....	D7/354
D666,866 S *	9/2012	Lion .....	D7/354
D689,730 S *	9/2013	Goto .....	D7/354
D712,695 S *	9/2014	Horimoto .....	D7/354
D715,088 S *	10/2014	Kim .....	D7/354
D715,090 S *	10/2014	Lin .....	D7/354
D750,420 S *	3/2016	Hu .....	D7/354
D763,036 S *	8/2016	Smart .....	D7/354
D765,460 S *	9/2016	Akiyama .....	D7/354
D787,258 S *	5/2017	Chung .....	D7/354
D787,259 S *	5/2017	Chung .....	D7/354
D803,614 S *	11/2017	Choi .....	D7/354

\* cited by examiner

*Primary Examiner* — Michael A. Pratt

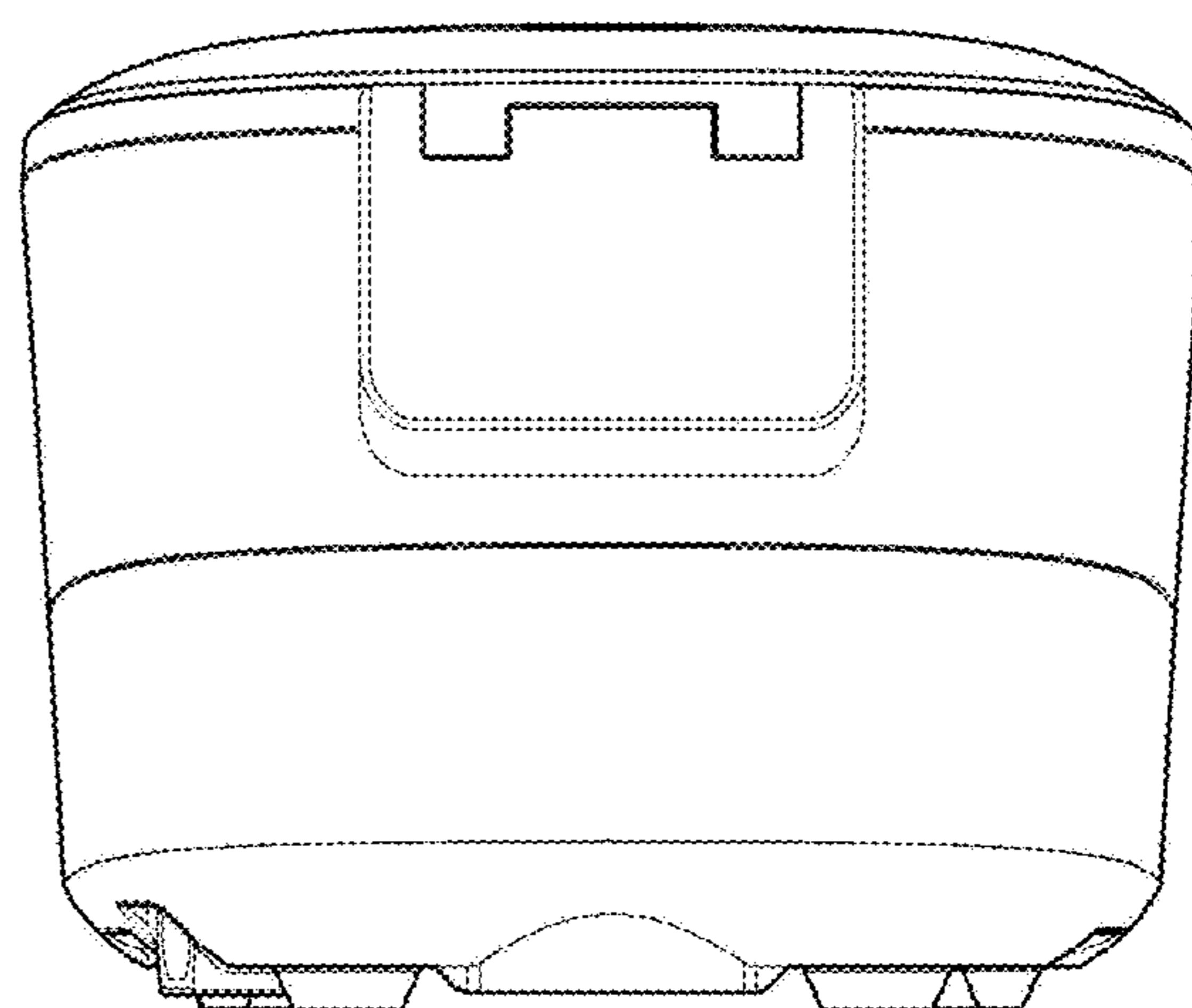
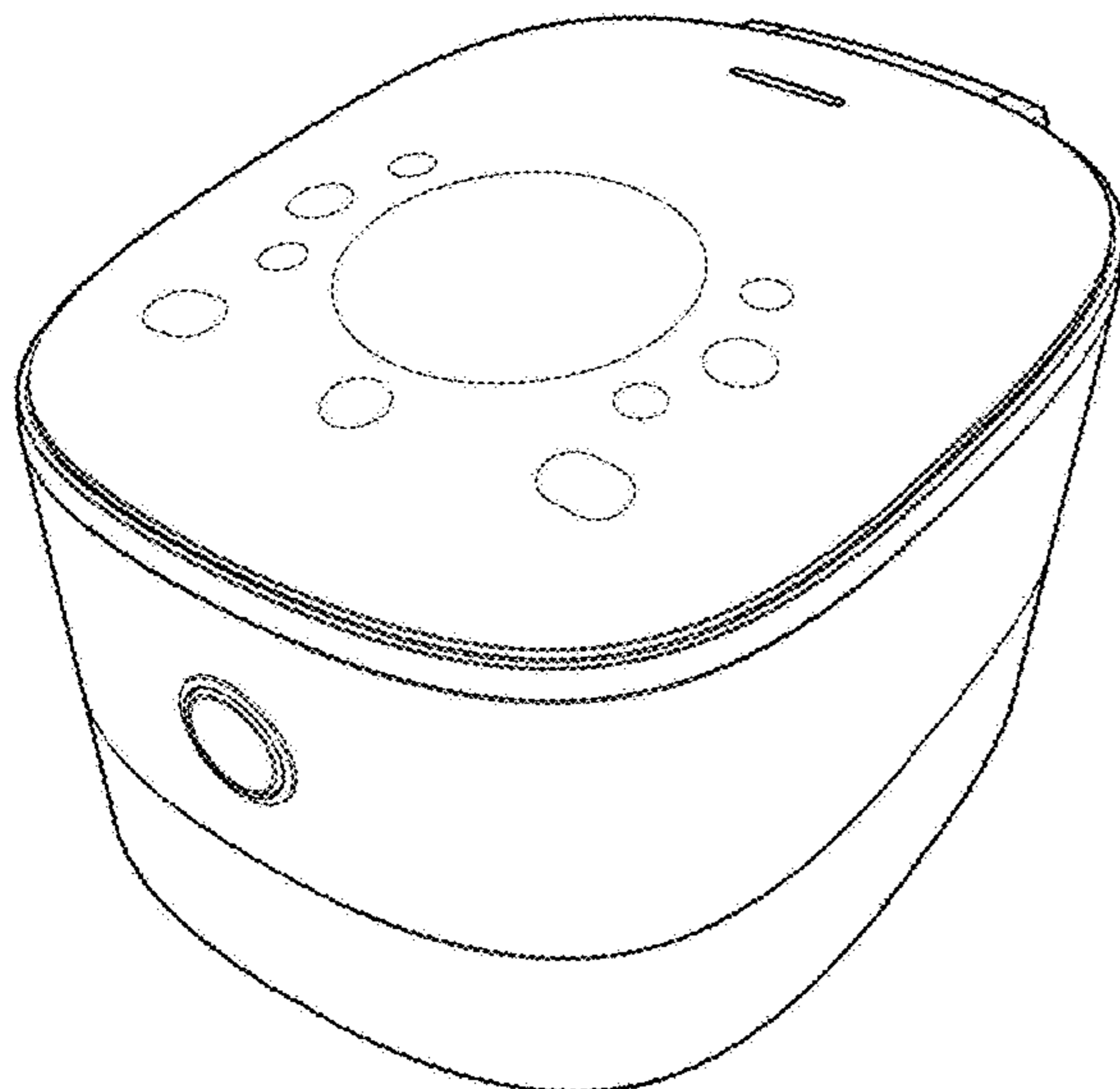
(57) **CLAIM**

The ornamental design for a rice cooker, as shown and described.

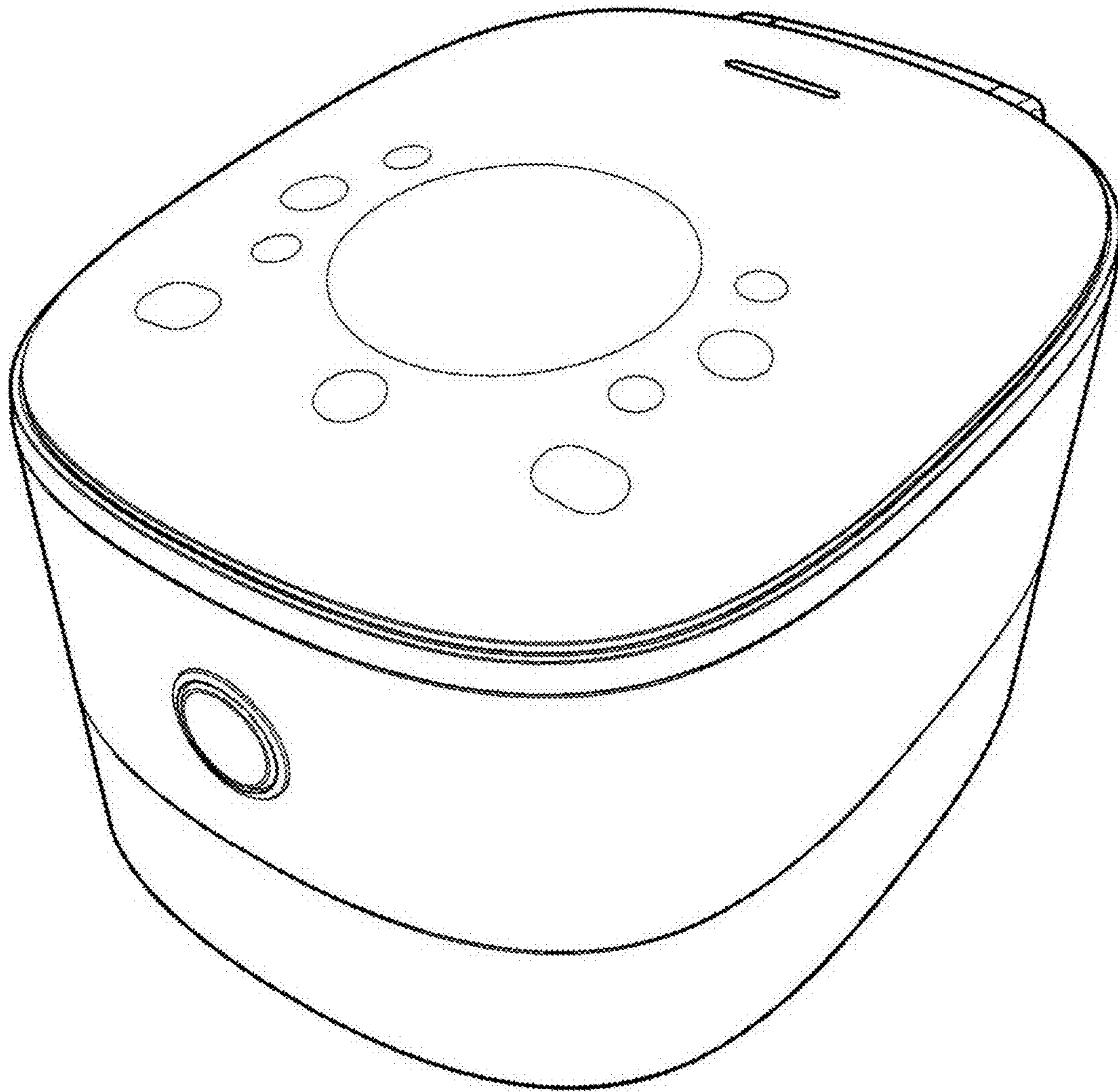
**DESCRIPTION**

- 1. Rice cooker
- 1.1: Perspective
- 1.2: Front
- 1.3: Back
- 1.4: Left
- 1.5: Right
- 1.6: Top
- 1.7: Bottom

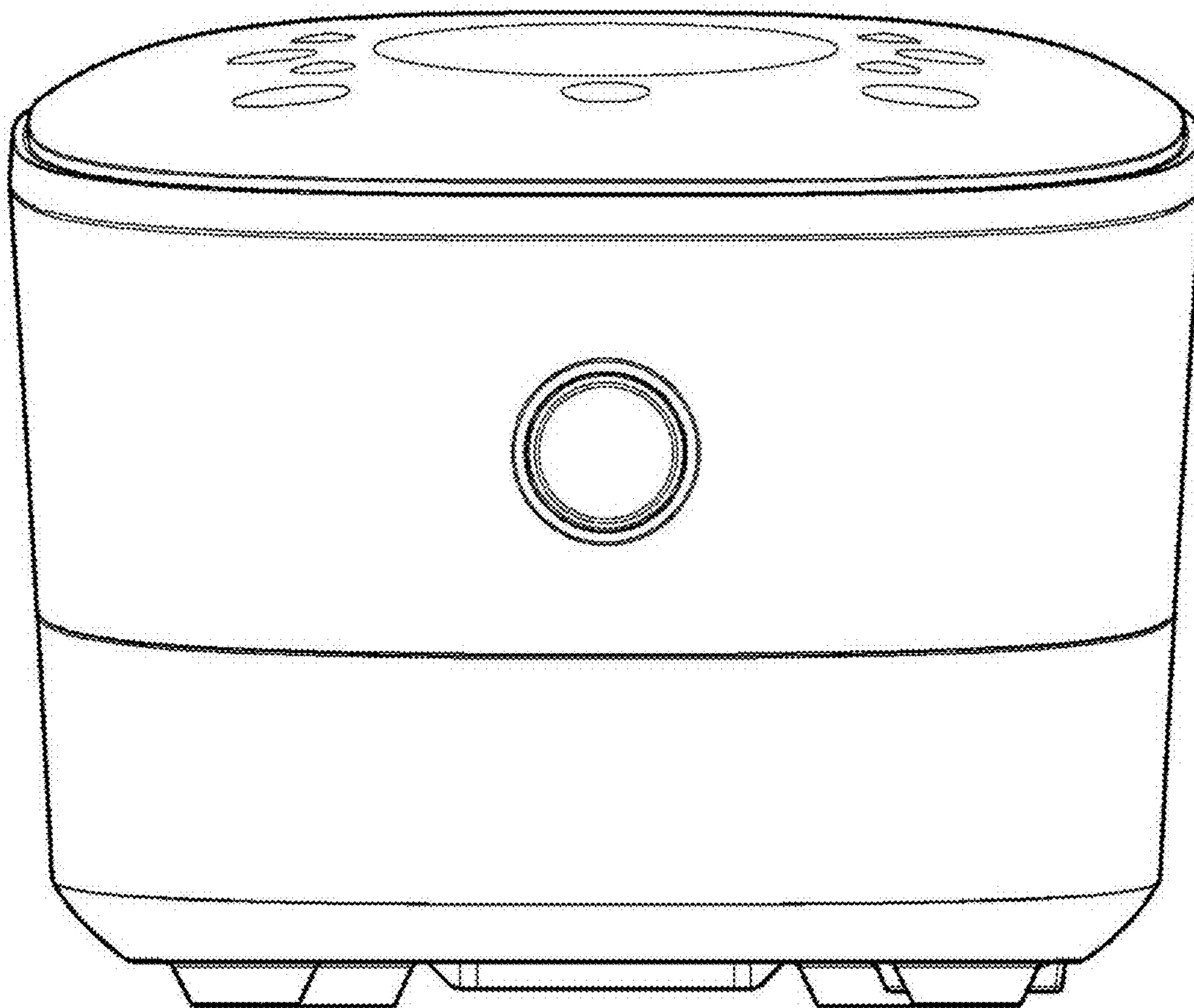
**1 Claim, 7 Drawing Sheets**



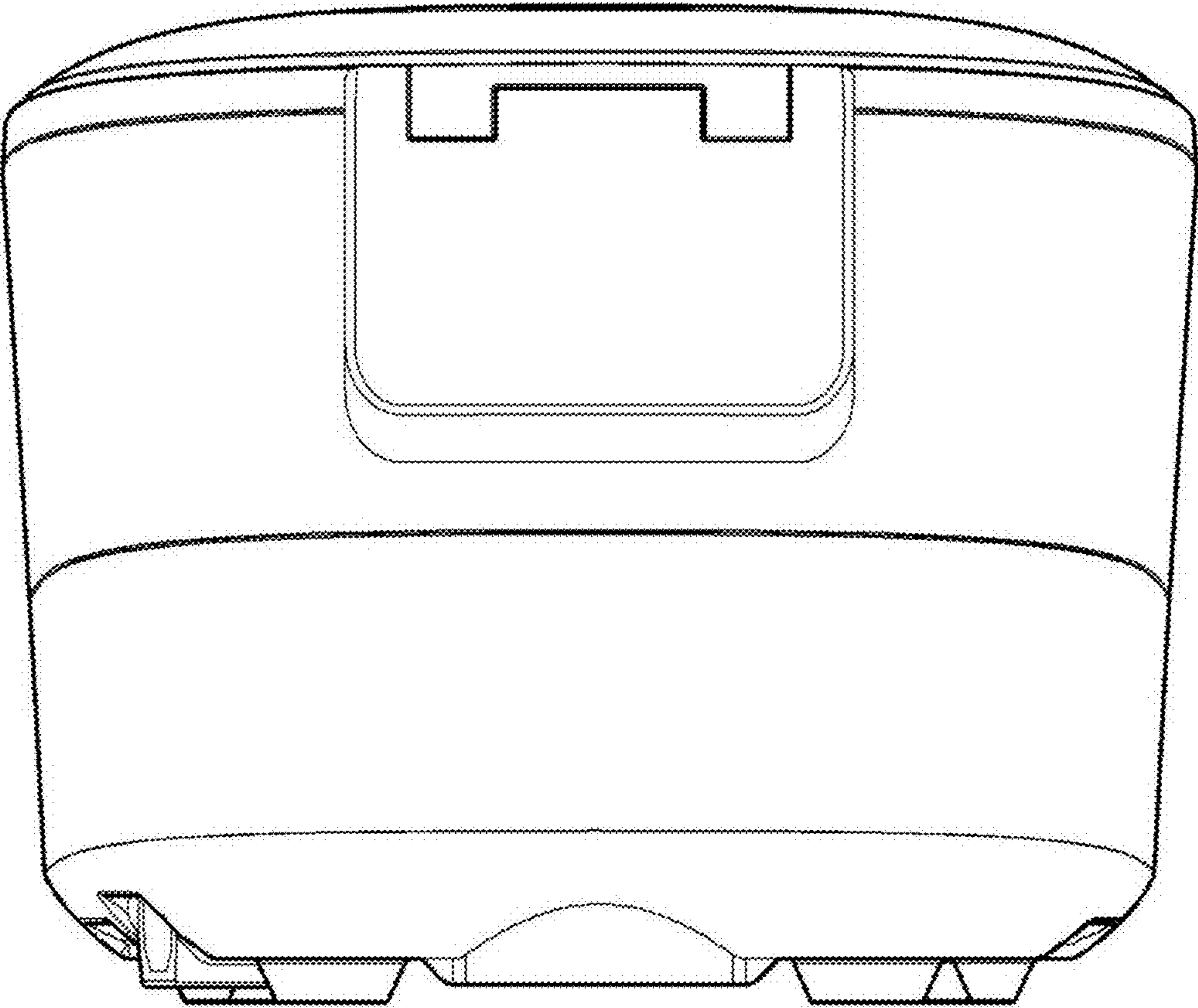
1.1



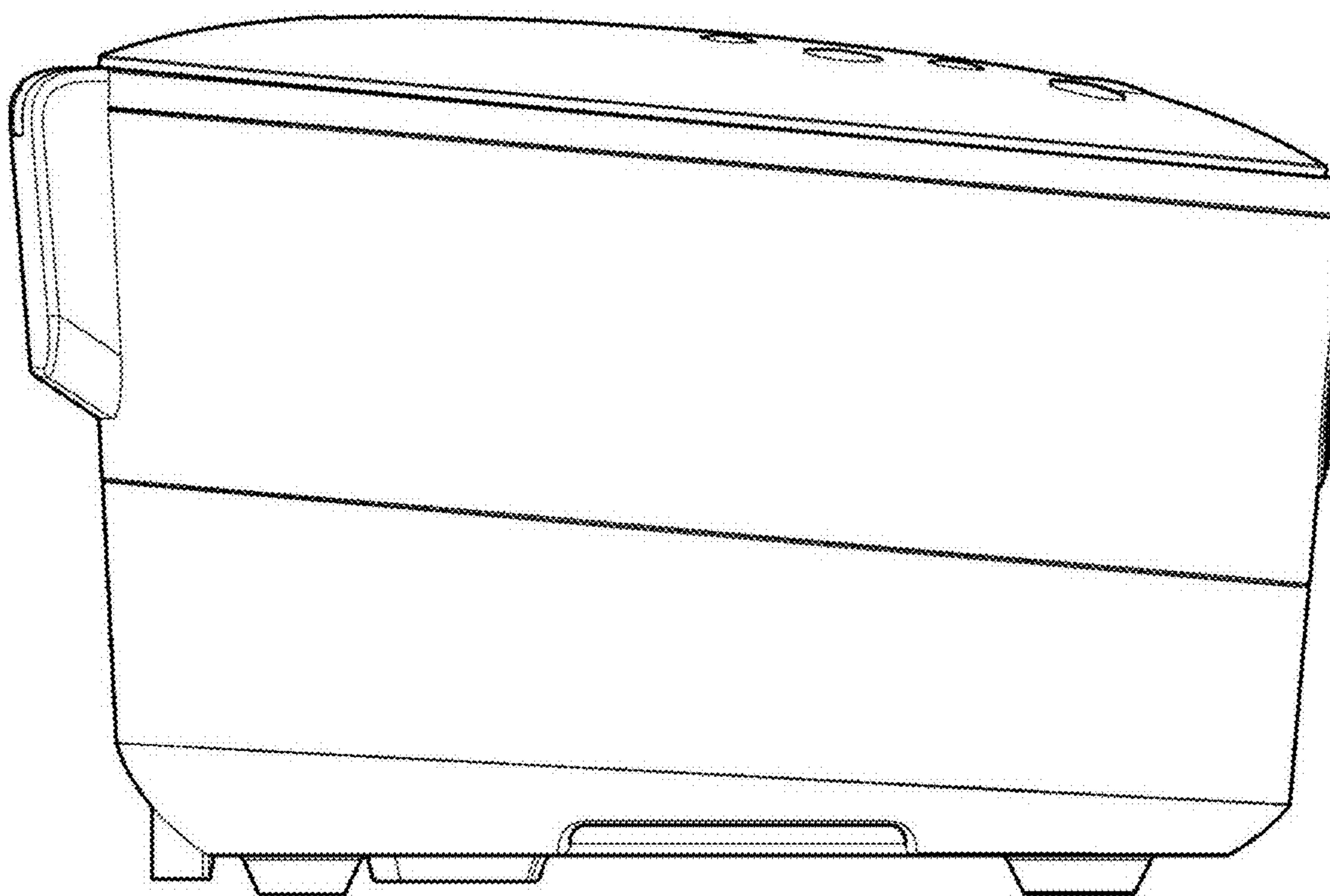
1.2



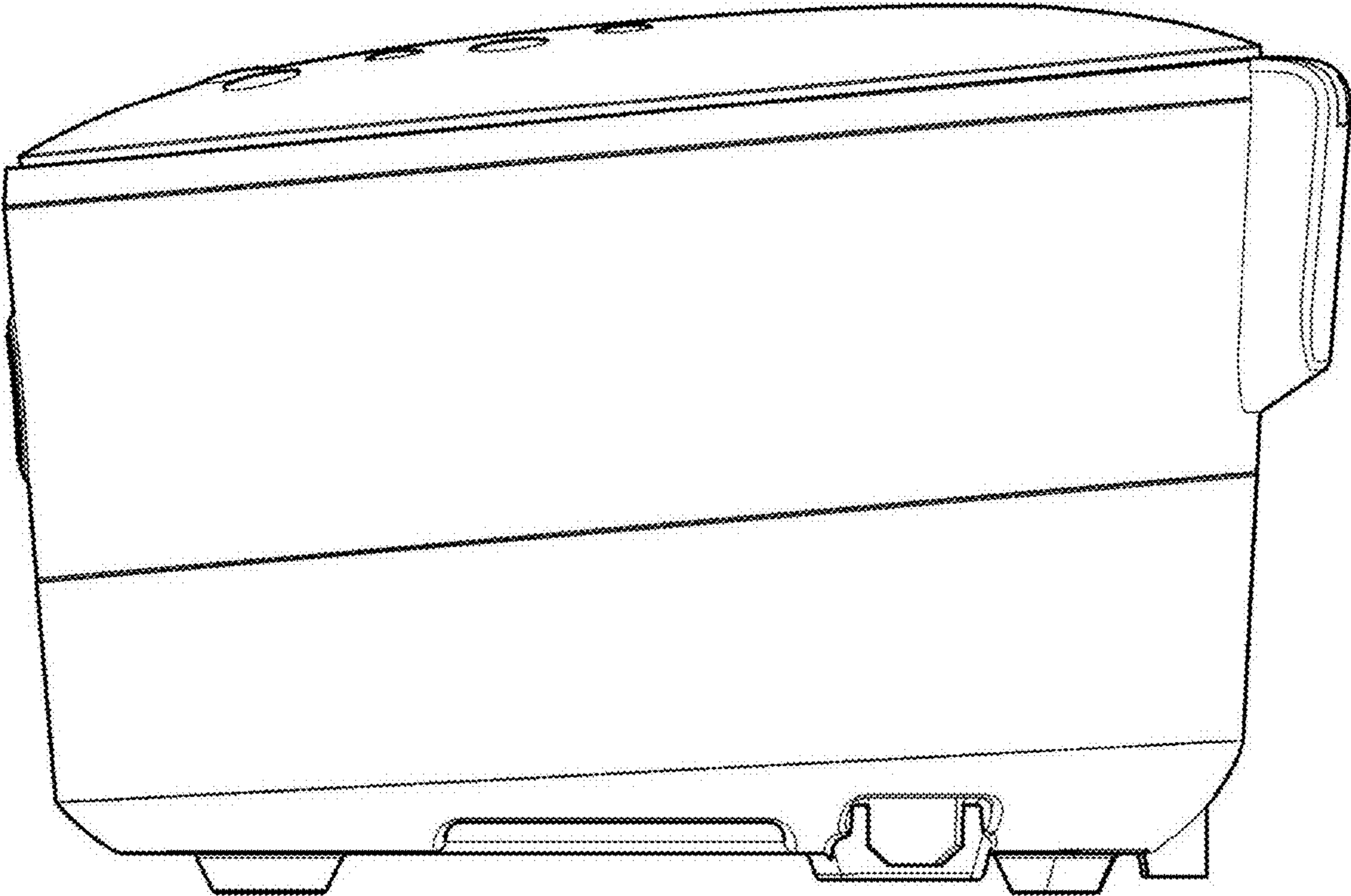
1.3



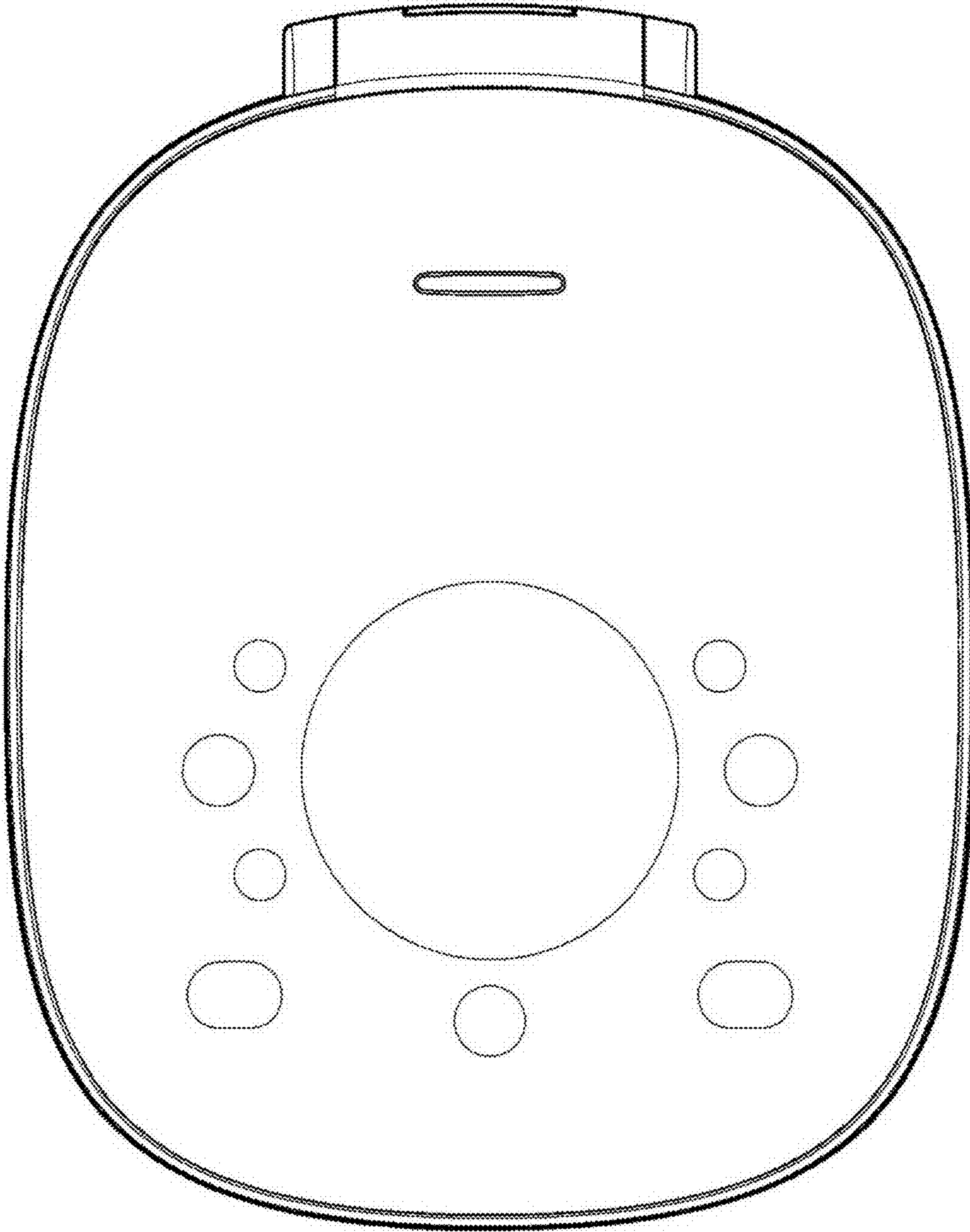
1.4



1.5



1.6



1.7

