



US00D827358S

(12) **United States Design Patent**
Kang et al.

(10) **Patent No.:** **US D827,358 S**

(45) **Date of Patent:** **** Sep. 4, 2018**

(54) **COOK TOP**

(71) Applicant: **Samsung Electronics Co., Ltd.**,
Suwon-si (KR)

(72) Inventors: **Jichang Kang**, Seoul (KR); **Jaejun Kim**, Seoul (KR); **Hyeongju Seo**, Seoul (KR); **Jongsu Jeon**, Seongnam-si (KR); **Hwanwoong Choi**, Seoul (KR)

(73) Assignee: **SAMSUNG ELECTRONICS CO., LTD.**, Gyeonggi-Do (KR)

(**) Term: **15 Years**

(21) Appl. No.: **29/607,514**

(22) Filed: **Jun. 14, 2017**

(30) **Foreign Application Priority Data**

Dec. 28, 2016 (KR) 30-2016-0063814

(51) **LOC (11) Cl.** **07-02**

(52) **U.S. Cl.**
USPC **D7/346**

(58) **Field of Classification Search**
USPC D7/323, 339-341, 344, 346-349, 352,
D7/362, 363, 402, 405-409; D8/311,
D8/312; 99/324, 325, 330-339, 342, 403
See application file for complete search history.

(56) **References Cited**

U.S. PATENT DOCUMENTS

D361,015 S * 8/1995 Doty D7/346
D473,096 S * 4/2003 Resuello D7/346

D524,094 S * 7/2006 Home D7/340
D610,863 S 3/2010 Kim et al.
D616,695 S 6/2010 Grey et al.
D616,696 S * 6/2010 Grey D7/346
8,074,563 B2 * 12/2011 Bowles A47J 37/067
219/436
D669,728 S * 10/2012 Funnell, II D7/340
9,072,403 B2 * 7/2015 Braden A47J 37/108
2003/0022052 A1 * 1/2003 Kearl H01M 8/0204
429/423
2010/0186603 A1 * 7/2010 Bowles A47J 37/067
99/422

FOREIGN PATENT DOCUMENTS

EM 0019110410001 9/2011

* cited by examiner

Primary Examiner — Freda S Nunn

(74) *Attorney, Agent, or Firm* — Cantor Colburn LLP

(57) **CLAIM**

The ornamental design for a cook top, as shown and described.

DESCRIPTION

FIG. 1 is a front perspective view of a cook top showing our new design;
FIG. 2 is a front view thereof;
FIG. 3 is a rear view thereof;
FIG. 4 is a left-side view thereof;
FIG. 5 is a right-side view thereof;
FIG. 6 is a top view thereof; and,
FIG. 7 is a bottom view thereof.
The broken lines illustrating portions of the cook top form no part of the claimed design.

1 Claim, 5 Drawing Sheets

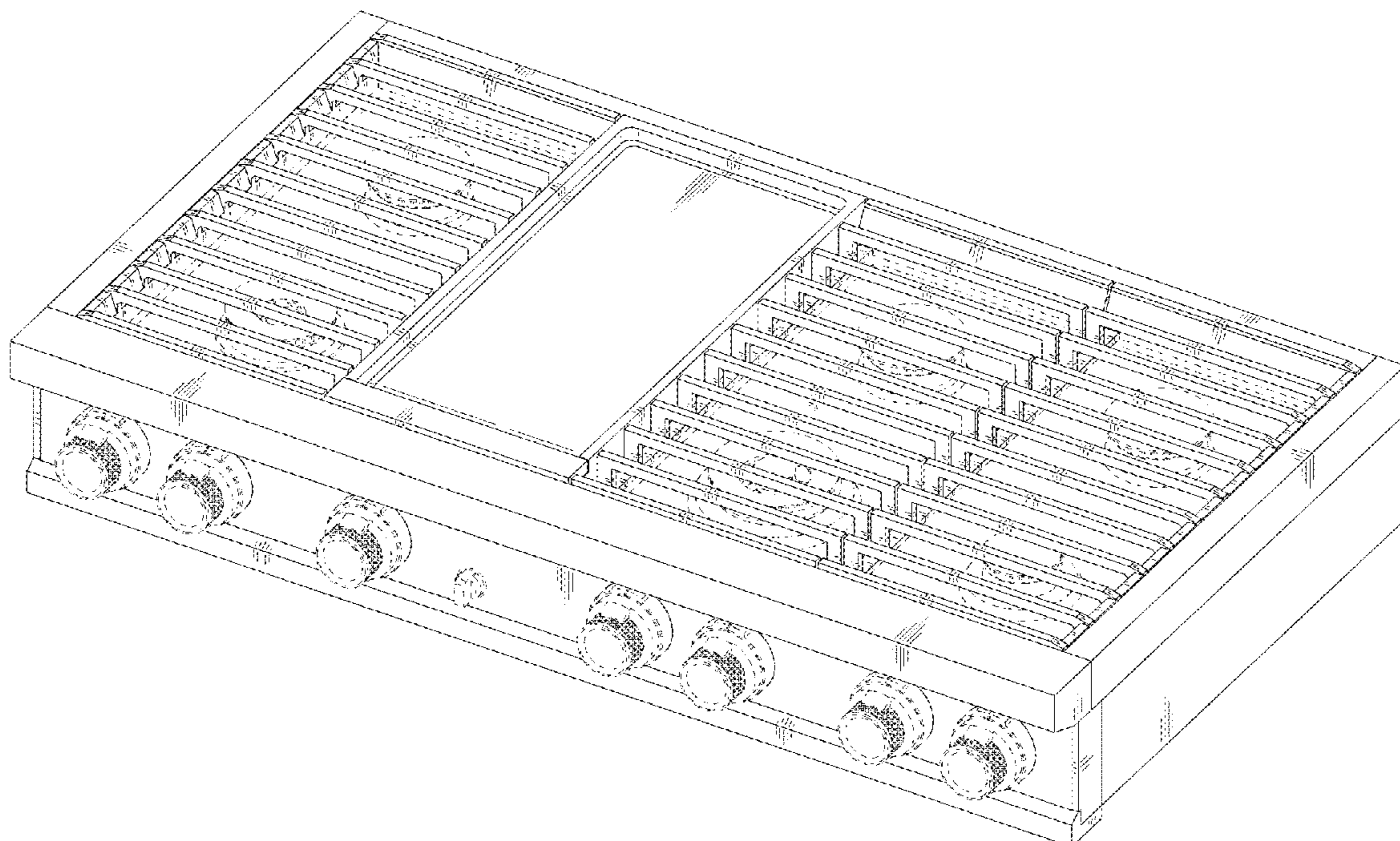


FIG. 1

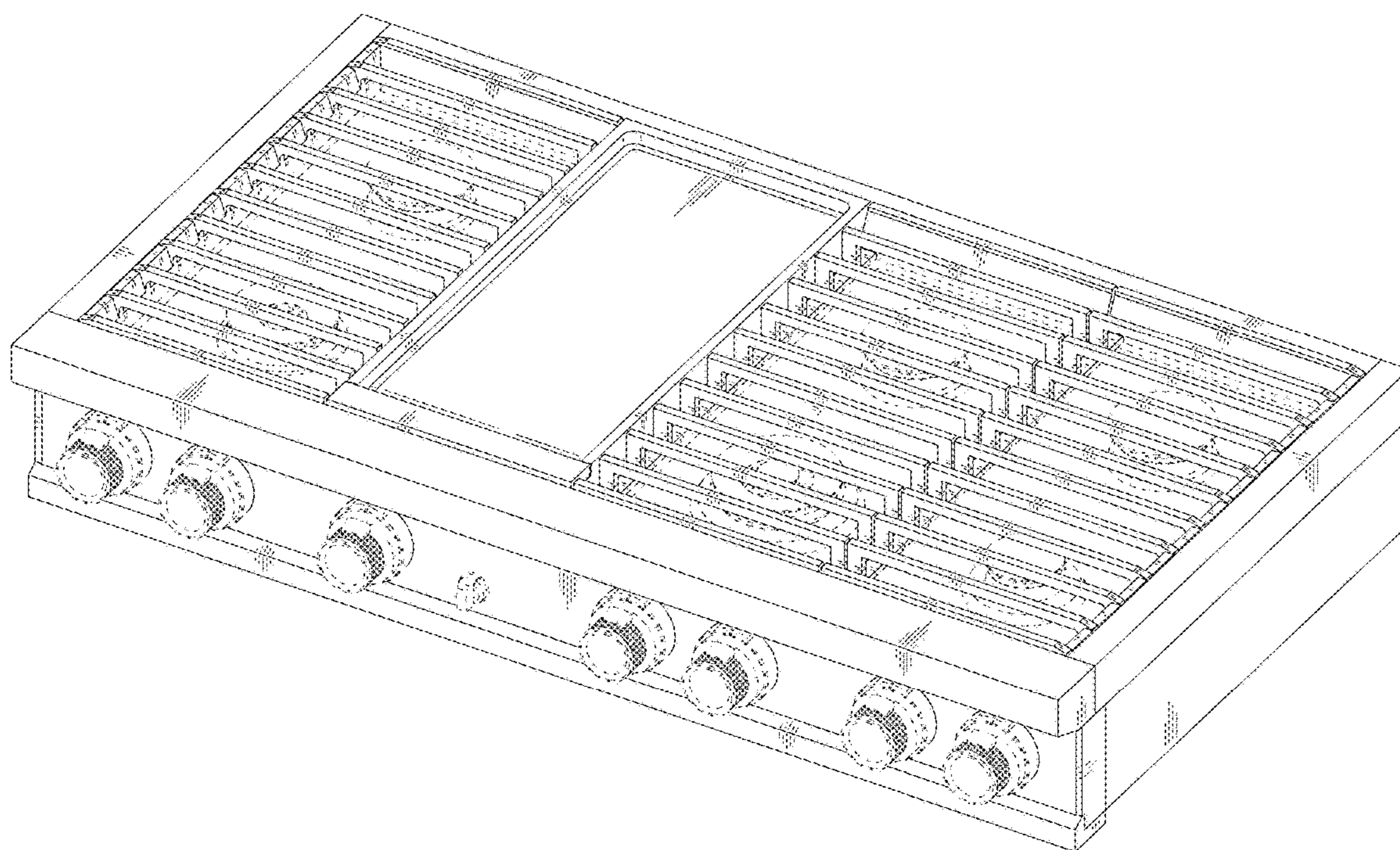


FIG. 2

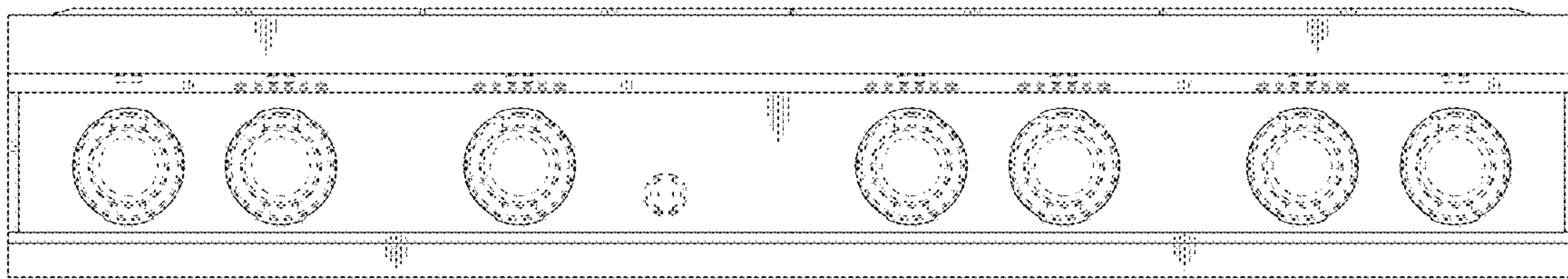


FIG. 3

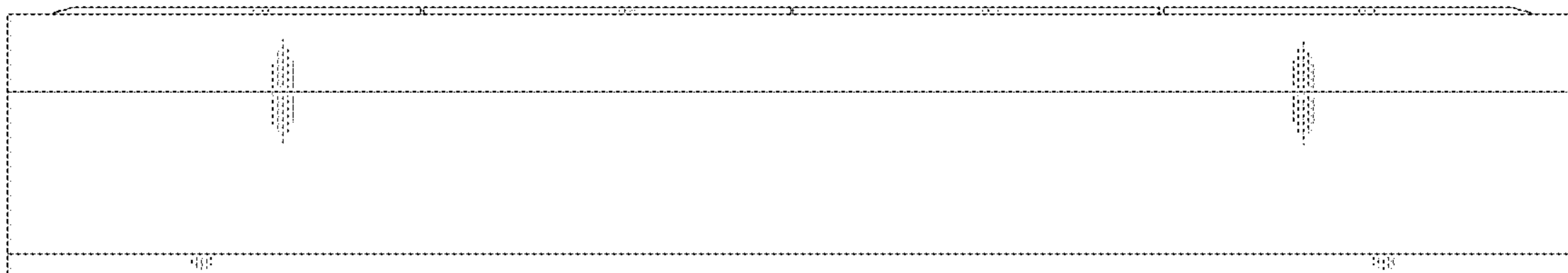


FIG. 4

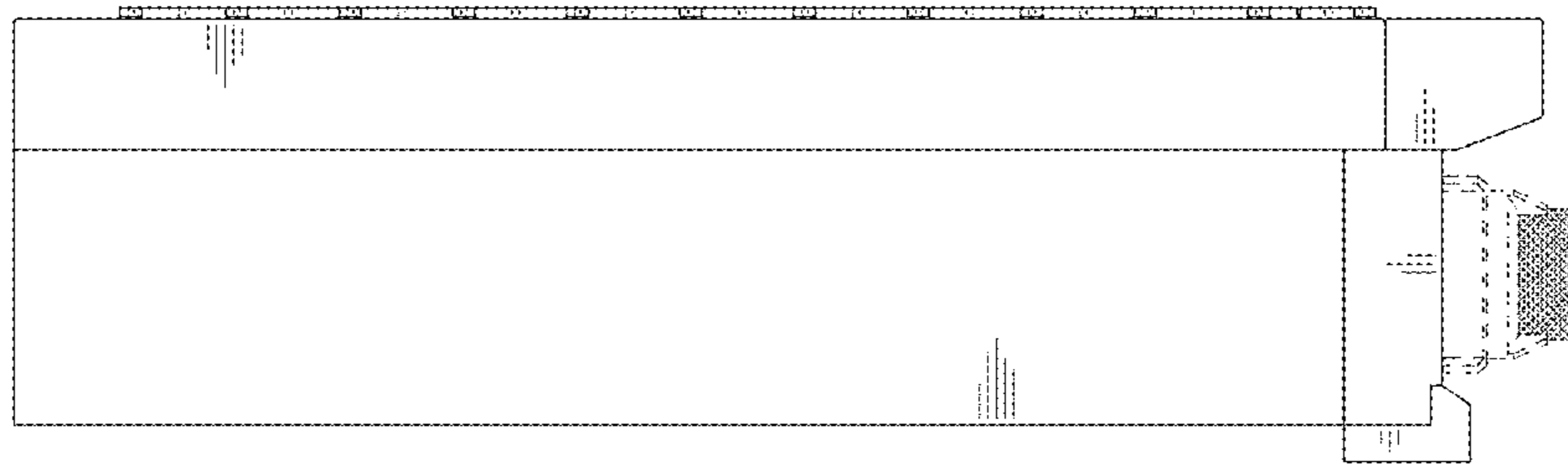


FIG. 5

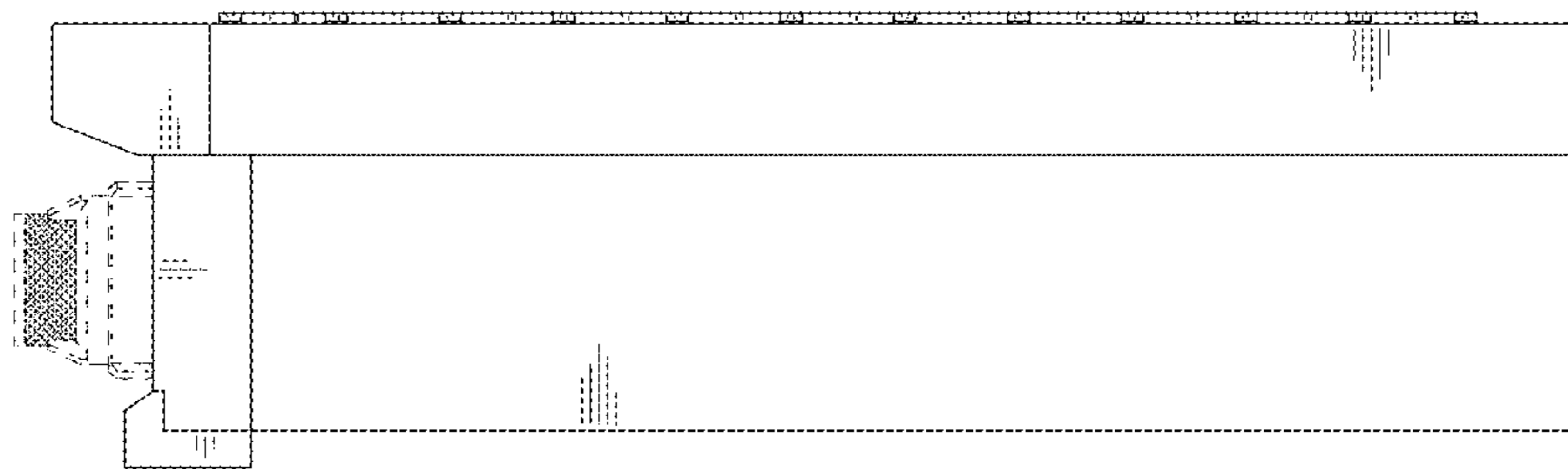


FIG. 6

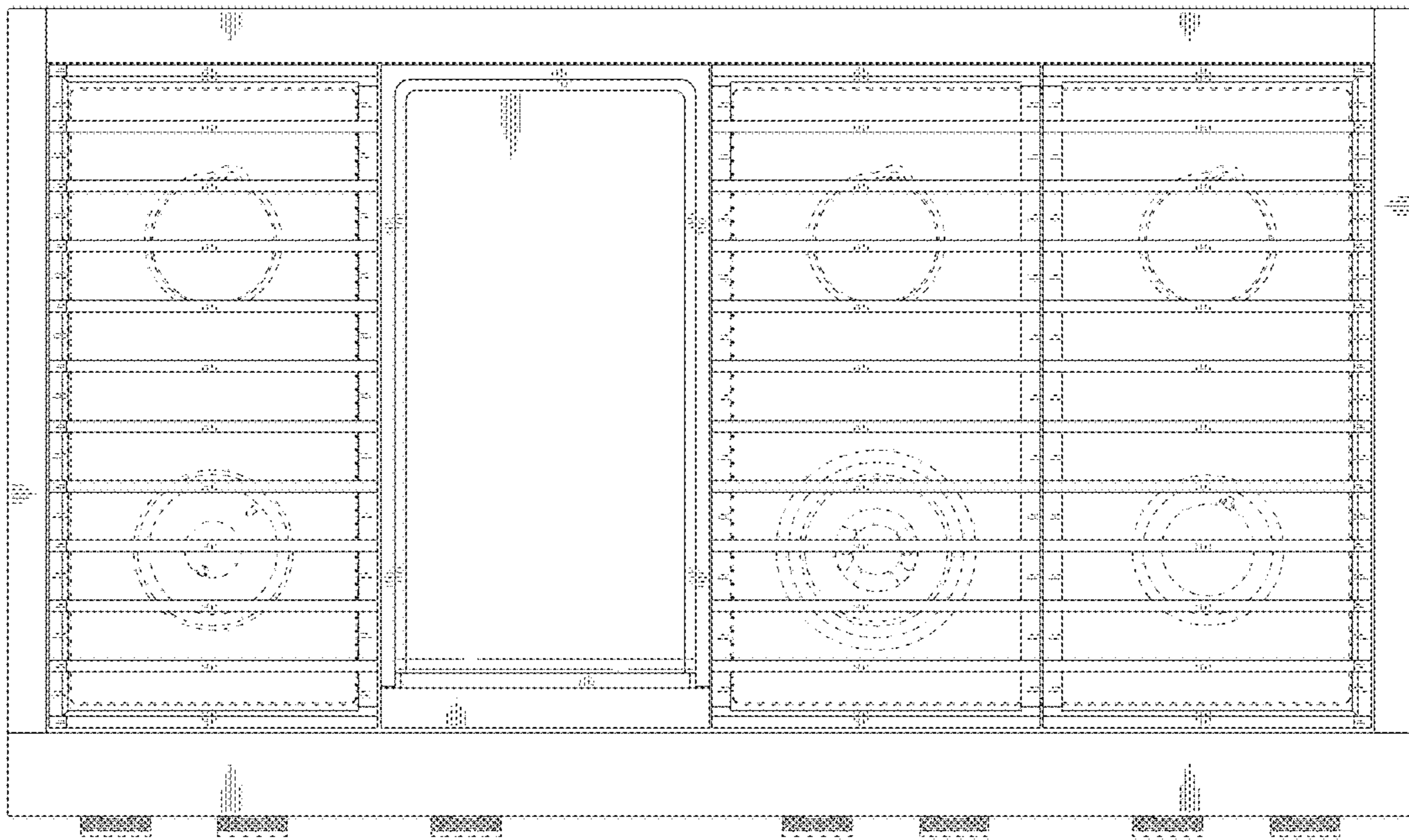


FIG. 7

