



US00D827356S

(12) **United States Design Patent** (10) **Patent No.:** **US D827,356 S**  
**Gushwa et al.** (45) **Date of Patent:** **\*\* Sep. 4, 2018**

- (54) **OVEN**
- (71) Applicant: **WHIRLPOOL CORPORATION**,  
Benton Harbor, MI (US)
- (72) Inventors: **David J. Gushwa**, Mishawaka, IN  
(US); **Joel Graham Van Faasen**,  
Holland, MI (US)
- (73) Assignee: **Whirlpool Corporation**, Benton  
Harbor, MI (US)

3,186,670 A	6/1965	Perl	
3,239,218 A	3/1966	Reeves	
3,692,266 A	9/1972	Jacobs	
3,750,989 A	8/1973	Bergeson	
D248,607 S *	7/1978	Yamamura	D7/351
4,317,017 A	2/1982	Bowen	
D268,079 S *	3/1983	Miyake	D7/351
4,449,026 A	5/1984	Satoh	
D275,546 S *	9/1984	Tanaka	D7/351
D276,122 S *	10/1984	Tanaka	D7/351
D277,355 S *	1/1985	Miyake	D7/351
D285,893 S *	9/1986	Mizuma	D7/351
D297,698 S *	9/1988	Nishikawa	D7/351

(Continued)

(\*\*) Term: **15 Years**

- (21) Appl. No.: **29/554,436**
- (22) Filed: **Feb. 11, 2016**
- (51) **LOC (11) Cl.** ..... **07-02**
- (52) **U.S. Cl.**  
USPC ..... **D7/328**
- (58) **Field of Classification Search**  
USPC ..... D7/323, 328-330, 339-351, 393, 402;  
D15/89, 300-306; D8/305, 315-316  
CPC ..... F24C 1/00; F24C 3/00; F24C 7/00; F24C  
7/002; F24C 7/046; F24C 7/067; F24C  
15/00; F24C 15/02; A21B 2/00; A47J  
36/26; A47J 37/00; A47J 37/041; A47J  
37/04; A47J 37/06; A47J 37/08  
See application file for complete search history.

(56) **References Cited**

U.S. PATENT DOCUMENTS

D133,766 S	12/1872	Easterly
464,921 A	12/1891	Carr
1,006,974 A	10/1911	Moore et al.
1,655,611 A	1/1928	Jensen
2,023,875 A	12/1935	Drumm
2,121,680 A	6/1938	Arvin
2,544,822 A	3/1951	Brown
2,877,875 A	3/1959	Bolt
3,071,887 A	1/1963	Von Arb

FOREIGN PATENT DOCUMENTS

CN	202521667 U	11/2012
DE	1796906 U	10/1959

(Continued)

*Primary Examiner* — Caron D Veynar  
*Assistant Examiner* — Mehri F Bajoul  
 (74) *Attorney, Agent, or Firm* — Price Heneveld LLP

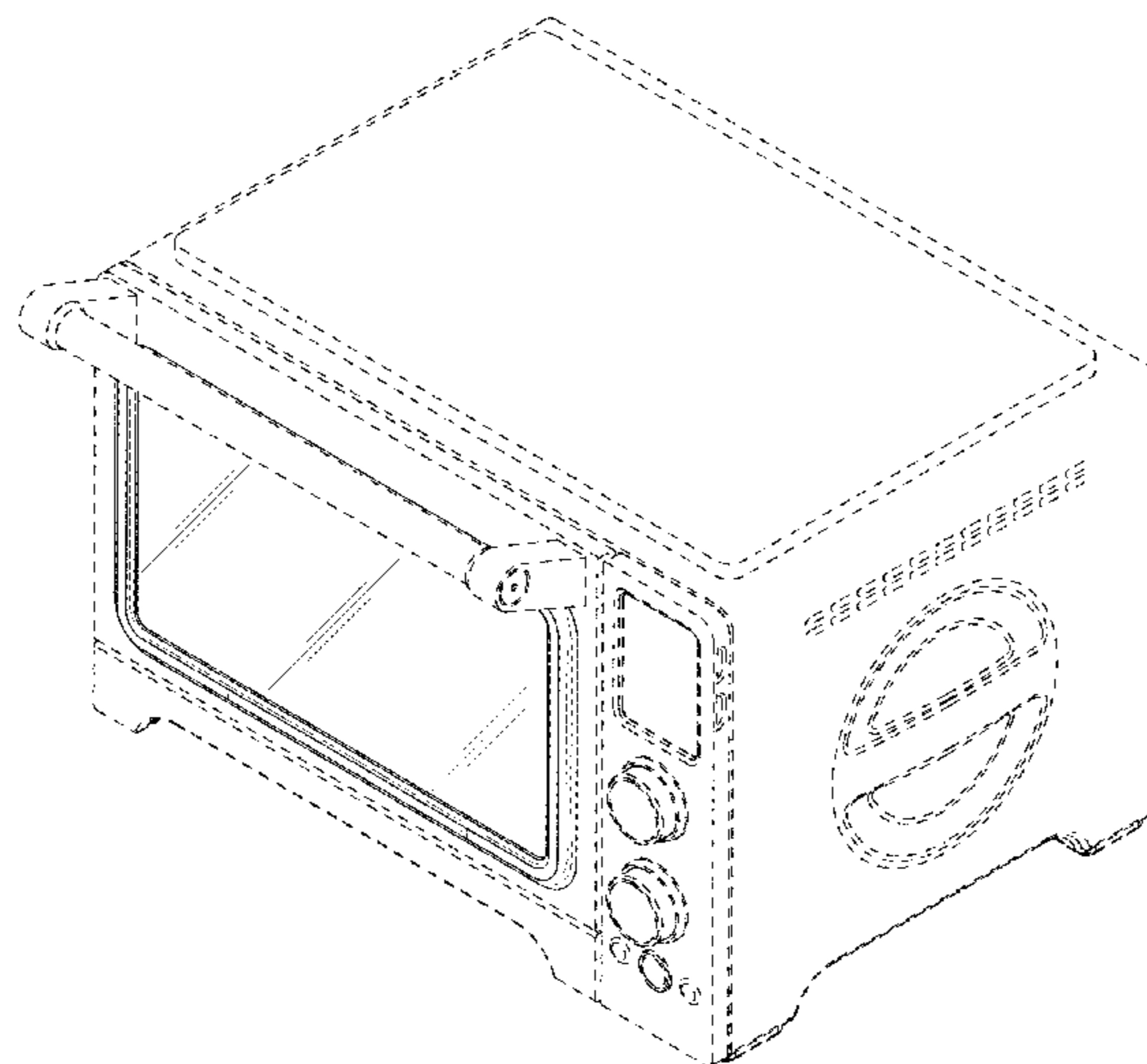
(57) **CLAIM**

We claim the ornamental design for an oven, as shown and described.

**DESCRIPTION**

FIG. 1 is a front perspective view showing the new design for an oven;  
 FIG. 2 is a rear perspective view thereof;  
 FIG. 3 is a front elevational view thereof;  
 FIG. 4 is a rear elevational view thereof;  
 FIG. 5 is a right side elevational view thereof;  
 FIG. 6 is a left side elevational view thereof;  
 FIG. 7 is a top plan view thereof; and,  
 FIG. 8 is a bottom plan view thereof.  
 The broken lines showing portions of the oven form no part of the claimed design.

**1 Claim, 8 Drawing Sheets**



(56)

References Cited

U.S. PATENT DOCUMENTS

D297,800 S \* 9/1988 Feil ..... D7/351  
 4,831,239 A 5/1989 Ueda  
 D303,063 S \* 8/1989 Satake ..... D7/351  
 4,861,956 A 8/1989 Courneya  
 4,867,504 A 9/1989 Johnson, Jr.  
 4,868,357 A 9/1989 Serikawa et al.  
 D330,144 S \* 10/1992 Takebata ..... D7/351  
 5,224,227 A 7/1993 McGinley  
 5,293,019 A 3/1994 Lee  
 5,360,965 A 11/1994 Ishii et al.  
 5,361,681 A 11/1994 Headstrom et al.  
 5,369,253 A 11/1994 Kuwata et al.  
 D353,511 S \* 12/1994 Saimen ..... D7/351  
 5,387,473 A 2/1995 Yoshimi et al.  
 5,417,941 A 5/1995 McNulty  
 5,512,736 A 4/1996 Kang et al.  
 5,493,947 A 5/1996 Philbeck  
 5,521,361 A 5/1996 Strait, Jr.  
 D378,723 S \* 4/1997 Weiss ..... D7/351  
 5,620,801 A 4/1997 Binns et al.  
 D385,155 S \* 10/1997 Weiss ..... D7/405  
 5,690,852 A 11/1997 Saito  
 5,749,550 A 5/1998 Jackson  
 D411,074 S \* 6/1999 Sakai ..... D7/351  
 6,008,478 A 12/1999 Crone et al.  
 6,008,482 A 12/1999 Takahashi et al.  
 6,097,003 A 8/2000 Markum et al.  
 6,172,348 B1 1/2001 Yoshino et al.  
 6,229,129 B1 5/2001 Yoshida  
 6,559,882 B1 5/2003 Kerchner  
 6,575,414 B2 6/2003 Cuzzocrea  
 D481,582 S \* 11/2003 Seum ..... D7/350.1  
 6,730,895 B2 5/2004 Kim  
 D495,556 S \* 9/2004 Milrud ..... D7/405  
 6,825,452 B2 11/2004 Oh  
 6,861,631 B2 3/2005 Hahm et al.  
 6,878,910 B2 4/2005 Kim et al.  
 D522,801 S \* 6/2006 Lee ..... D7/351  
 D527,572 S \* 9/2006 Lee ..... D7/350.1  
 D527,948 S \* 9/2006 Bengtson ..... D7/349  
 D530,973 S \* 10/2006 Lee ..... D7/351  
 D531,447 S \* 11/2006 Lee ..... D7/350.4  
 D532,645 S \* 11/2006 Lee ..... D7/351  
 D535,847 S \* 1/2007 Sadtler ..... D7/340  
 D536,576 S \* 2/2007 Logan ..... D7/405  
 D538,582 S \* 3/2007 Kim ..... D7/340  
 D540,105 S \* 4/2007 Lee ..... D7/351  
 D540,613 S \* 4/2007 Jeon ..... D7/350.1  
 D541,577 S \* 5/2007 Kim ..... D7/340  
 D546,619 S \* 7/2007 McHutchison ..... D7/352  
 D550,024 S \* 9/2007 Jeon ..... D7/350.1  
 D550,069 S 9/2007 Milligan  
 7,279,218 B2 10/2007 Watase et al.  
 7,326,888 B2 2/2008 Chun et al.  
 D568,100 S \* 5/2008 Jeon ..... D7/402  
 D572,109 S \* 7/2008 Busalt ..... D8/316  
 D572,110 S \* 7/2008 Busalt ..... D8/316  
 D572,528 S \* 7/2008 Crookshanks ..... D7/405  
 D572,529 S \* 7/2008 Crookshanks ..... D7/405  
 D580,698 S \* 11/2008 Kim ..... D7/348  
 D582,198 S \* 12/2008 Cruver, IV ..... D7/350.1  
 D586,619 S \* 2/2009 Pino ..... D7/405  
 D587,067 S \* 2/2009 Kim ..... D7/402  
 7,501,608 B2 3/2009 Hallgren  
 D605,456 S \* 12/2009 Bengtson ..... D7/340  
 D612,686 S \* 3/2010 Busalt ..... D7/406  
 D616,695 S \* 6/2010 Grey ..... D7/340  
 D617,133 S \* 6/2010 Grey ..... D7/340  
 D625,557 S \* 10/2010 Pino ..... D7/405  
 D633,336 S \* 3/2011 Sadtler ..... D7/405  
 D645,293 S \* 9/2011 Busalt ..... D7/349  
 D651,460 S \* 1/2012 Sadtler ..... D7/405  
 D654,311 S \* 2/2012 Benold ..... D7/402  
 D654,314 S \* 2/2012 Benold ..... D7/405  
 D658,439 S \* 5/2012 Curtis ..... D7/405

D662,759 S \* 7/2012 Blacken ..... D7/328  
 D668,105 S \* 10/2012 Funnell, II ..... D7/405  
 D669,728 S \* 10/2012 Funnell, II ..... D7/340  
 D669,729 S \* 10/2012 Funnell, II ..... D7/340  
 D670,527 S \* 11/2012 Kim ..... D7/340  
 D670,969 S \* 11/2012 Bengtson ..... D7/406  
 D673,000 S \* 12/2012 De' Longhi ..... D7/350.1  
 D673,418 S \* 1/2013 Lee ..... D7/351  
 D701,074 S \* 3/2014 Funnell, II ..... D7/340  
 8,663,793 B2 3/2014 Jo et al.  
 8,715,837 B2 5/2014 Tada et al.  
 8,742,306 B2 6/2014 Atzmony et al.  
 D709,726 S \* 7/2014 Borjesson ..... D7/349  
 D710,150 S \* 8/2014 Busalt ..... D7/405  
 D710,646 S \* 8/2014 Borjesson ..... D7/349  
 D717,579 S \* 11/2014 Gregory ..... D7/350.4  
 8,927,913 B2 1/2015 Hyde et al.  
 D721,917 S \* 2/2015 Funnell, II ..... D7/405  
 D721,919 S \* 2/2015 Funnell, II ..... D7/406  
 9,022,018 B2 \* 5/2015 Hensel ..... F24C 15/12  
 126/332  
 D736,553 S \* 8/2015 Funnell, II ..... D7/339  
 D736,554 S \* 8/2015 Steiner ..... D7/350.1  
 D737,620 S \* 9/2015 Miller ..... D7/328  
 D737,622 S \* 9/2015 Miller ..... D7/328  
 D742,688 S \* 11/2015 Funnell, II ..... D7/405  
 D745,311 S \* 12/2015 Funnell, II ..... D7/349  
 D745,362 S \* 12/2015 Grasselli ..... D8/315  
 D748,424 S \* 2/2016 Funnell, II ..... D7/348  
 9,265,097 B2 2/2016 Torres et al.  
 D750,413 S \* 3/2016 Funnell, II ..... D7/348  
 D750,414 S \* 3/2016 Funnell, II ..... D7/348  
 D755,008 S \* 5/2016 Kim ..... D7/406  
 D758,827 S \* 6/2016 Grasselli ..... D8/315  
 D762,086 S \* 7/2016 Kim ..... D7/405  
 9,388,990 B2 \* 7/2016 Kim ..... F24C 15/02  
 D763,616 S \* 8/2016 Kim ..... D7/339  
 D763,617 S \* 8/2016 Kim ..... D7/339  
 D764,230 S \* 8/2016 Shoemaker ..... D7/405  
 D764,853 S \* 8/2016 Kim ..... D7/339  
 D764,890 S \* 8/2016 Shoemaker ..... D15/89  
 D766,645 S \* 9/2016 Koszylko ..... D7/352  
 D769,669 S \* 10/2016 Kim ..... D7/351  
 D770,839 S \* 11/2016 Shoemaker ..... D7/348  
 D773,232 S \* 12/2016 Shoemaker ..... D7/339  
 D773,880 S \* 12/2016 McConnell ..... D7/339  
 D781,648 S \* 3/2017 Shoemaker ..... D7/406  
 D789,739 S \* 6/2017 Jeon ..... D7/405  
 D791,567 S \* 7/2017 Incukur ..... D8/311  
 2005/0154118 A1 7/2005 Hayes et al.  
 2006/0022180 A1 2/2006 Selness  
 2008/0251660 A1 10/2008 Spyker  
 2010/0006561 A1 \* 1/2010 Hensel ..... A47J 37/0807  
 219/483  
 2010/0021726 A1 1/2010 Jo et al.  
 2010/0182136 A1 7/2010 Pryor  
 2010/0187224 A1 7/2010 Hyde  
 2010/0231506 A1 9/2010 Pryor  
 2011/0023861 A1 \* 2/2011 Hensel ..... F24C 15/12  
 126/273 R  
 2011/0215091 A1 9/2011 Stranger  
 2012/0070651 A1 3/2012 Morishita et al.  
 2012/0168645 A1 7/2012 Atzmony  
 2012/0192850 A1 \* 8/2012 Hensel ..... A47J 37/0635  
 126/19 M  
 2012/0298655 A1 11/2012 Kamii et al.  
 2013/0056460 A1 3/2013 Ben-Shmuel et al.  
 2013/0142923 A1 6/2013 Torres et al.  
 2013/0146590 A1 6/2013 Einziger et al.  
 2013/0186887 A1 7/2013 Hallgren et al.  
 2014/0144331 A1 \* 5/2014 Hensel ..... A47J 37/0807  
 99/391

FOREIGN PATENT DOCUMENTS

DE 4040424 A1 6/1992  
 EP 1076475 A2 2/2001  
 EP 2051564 A1 8/2007

(56)

**References Cited**

FOREIGN PATENT DOCUMENTS

EP	2144008	A1	1/2010
EP	2205043	A1	7/2010
EP	2618634		7/2013
ES	2390022	A1	11/2012
GB	999061	A	7/1965
GB	1016077	A	1/1966
GB	1105140	A	3/1968
GB	2323276	A	9/1998
JP	6058555	A	3/1994
JP	H08-135978	A	5/1996
JP	2001355844		12/2001
JP	2006118786	A	5/2006
JP	2011220590	A	11/2011
KR	20100000372	A	1/2010
SU	1530168	A1	12/1989
WO	200223953	A1	3/2002
WO	2011058538	A1	5/2011

\* cited by examiner

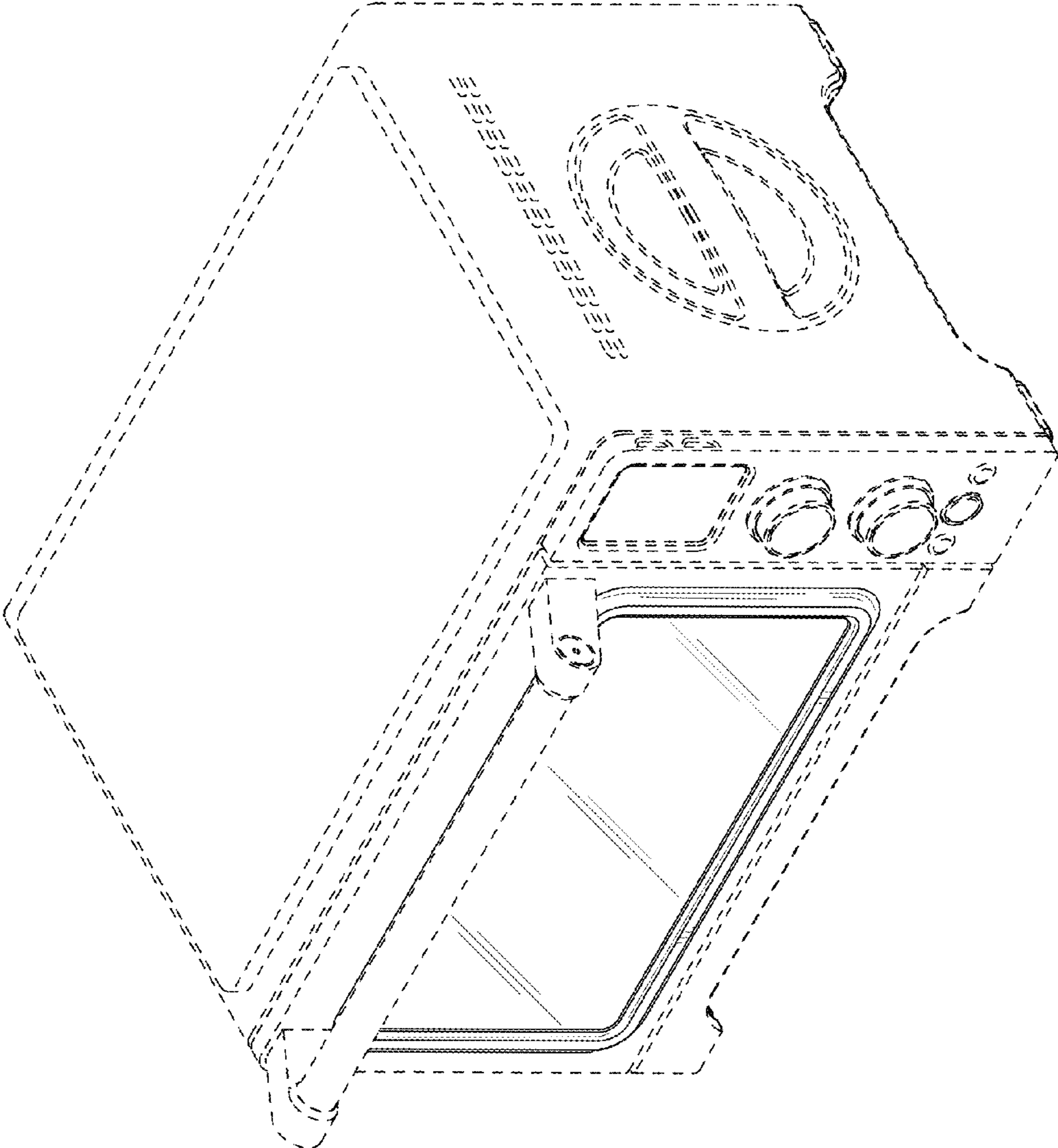


FIG. 1

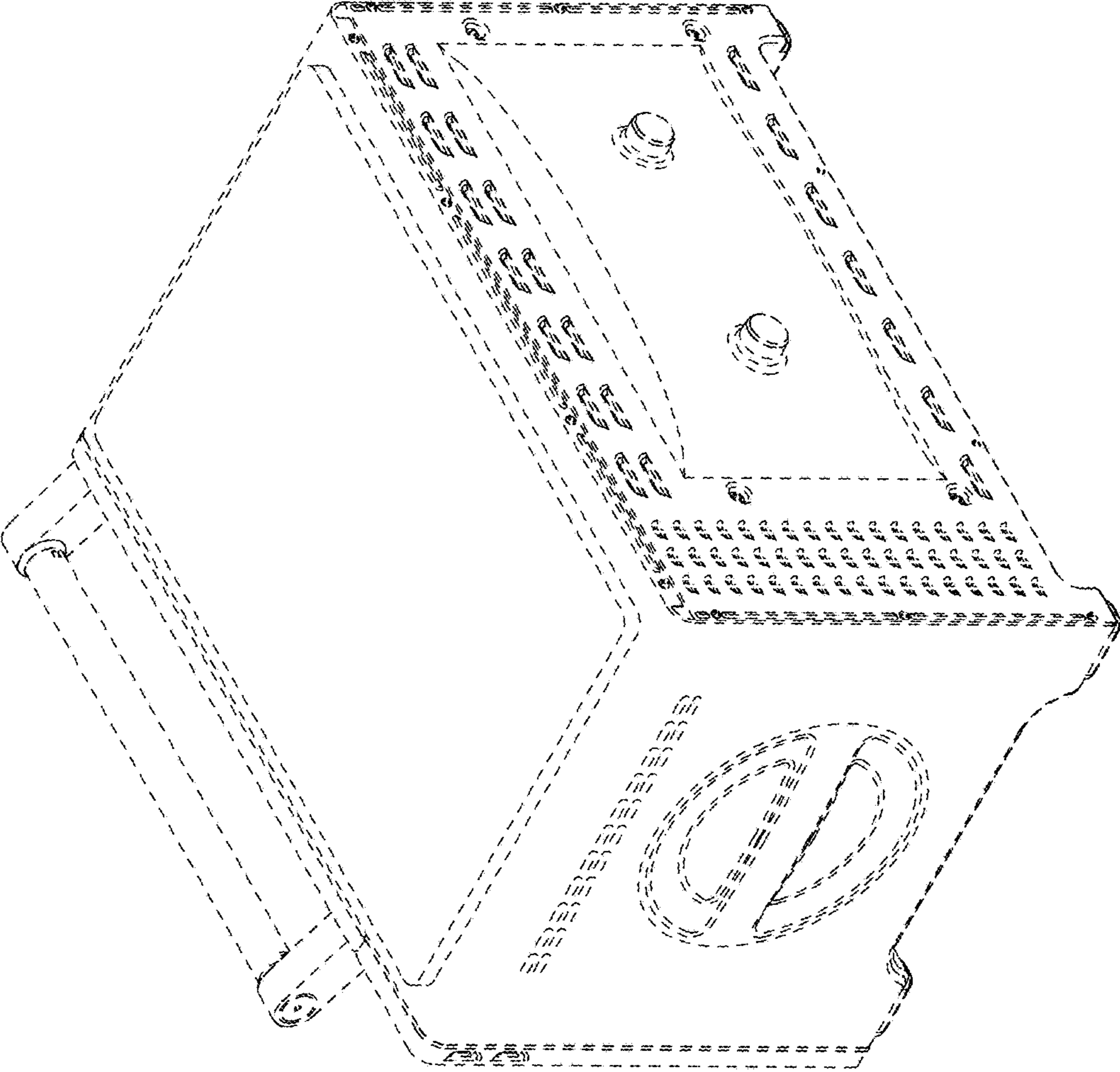


FIG. 2

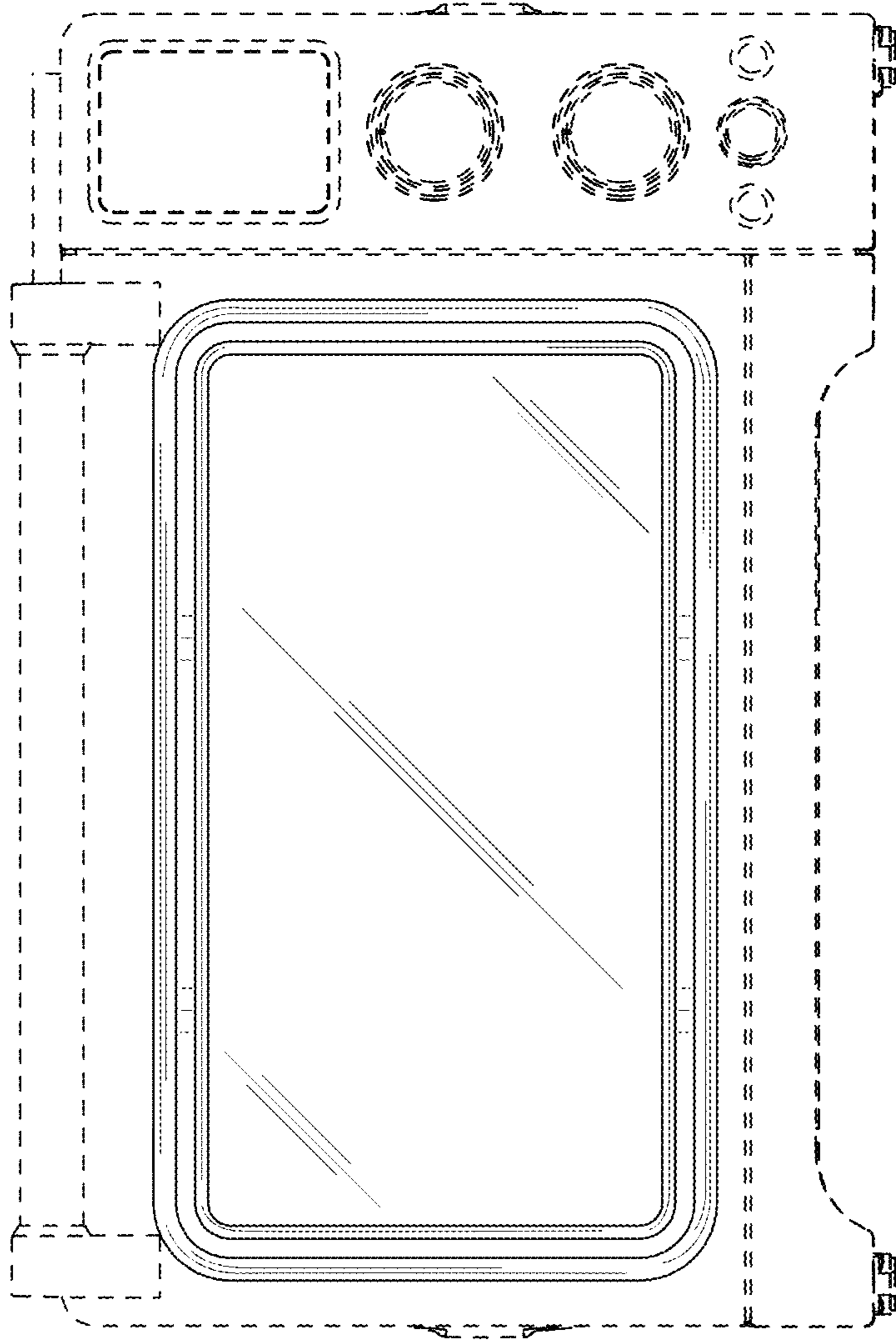


FIG. 3

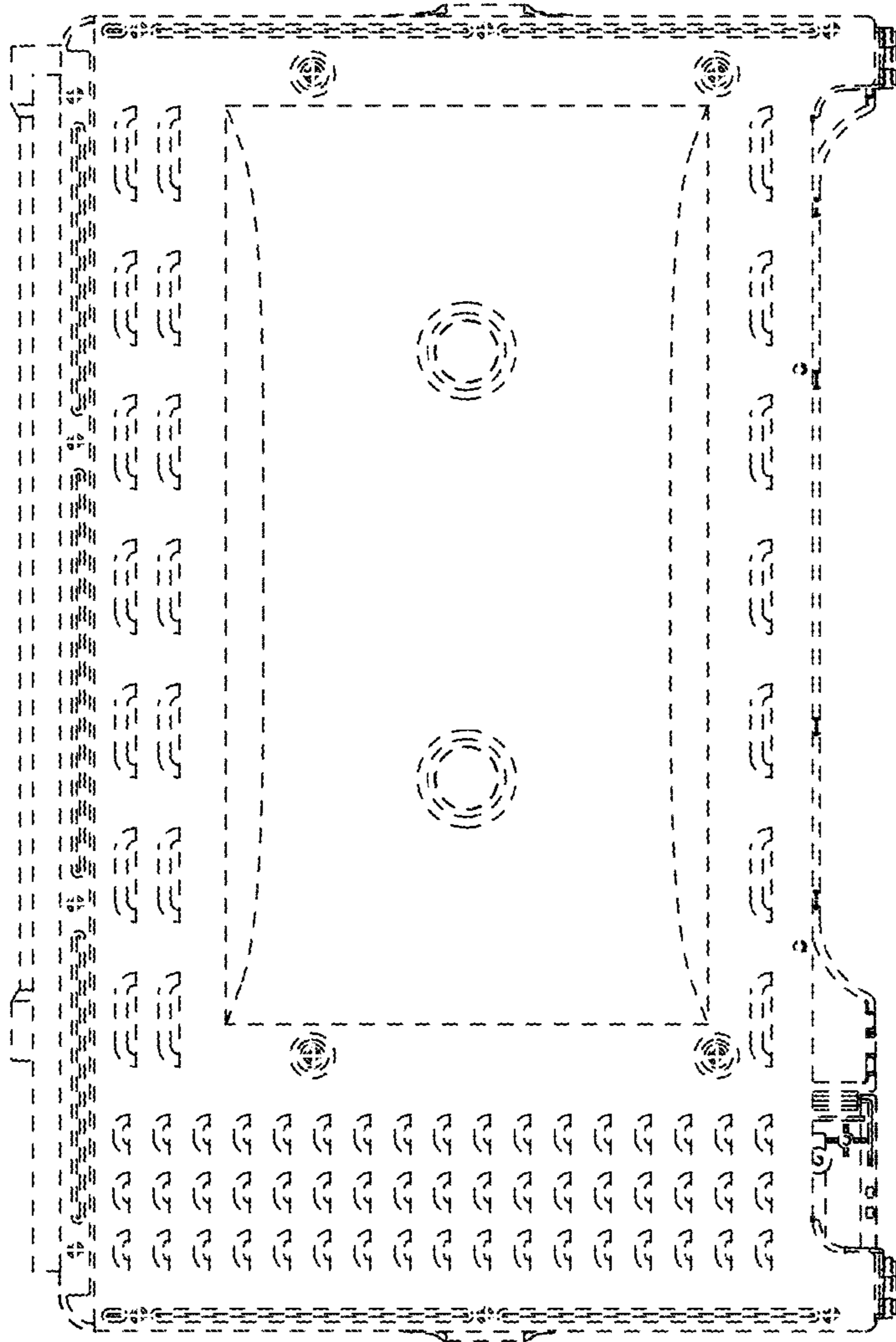


FIG. 4

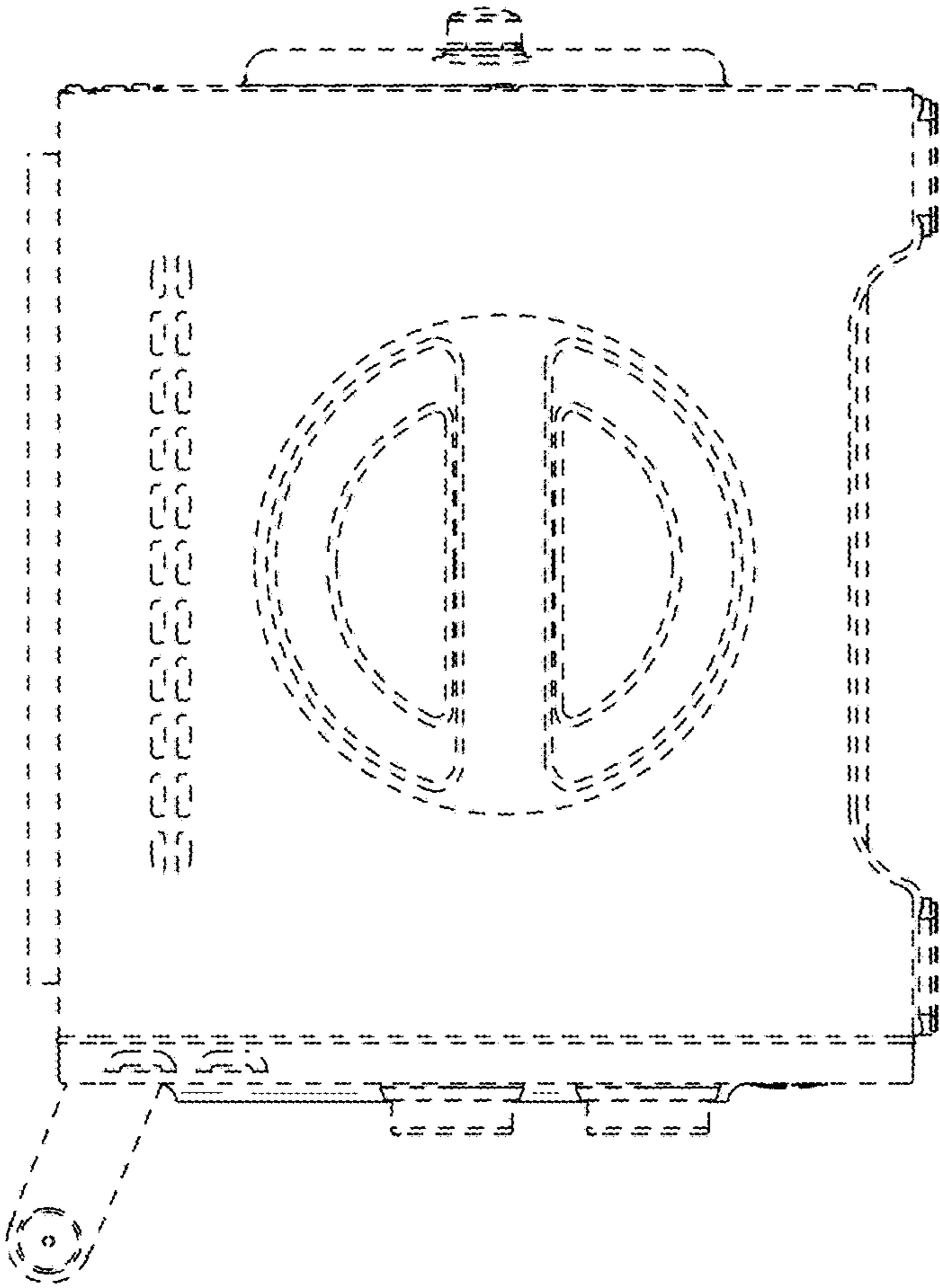


FIG. 5



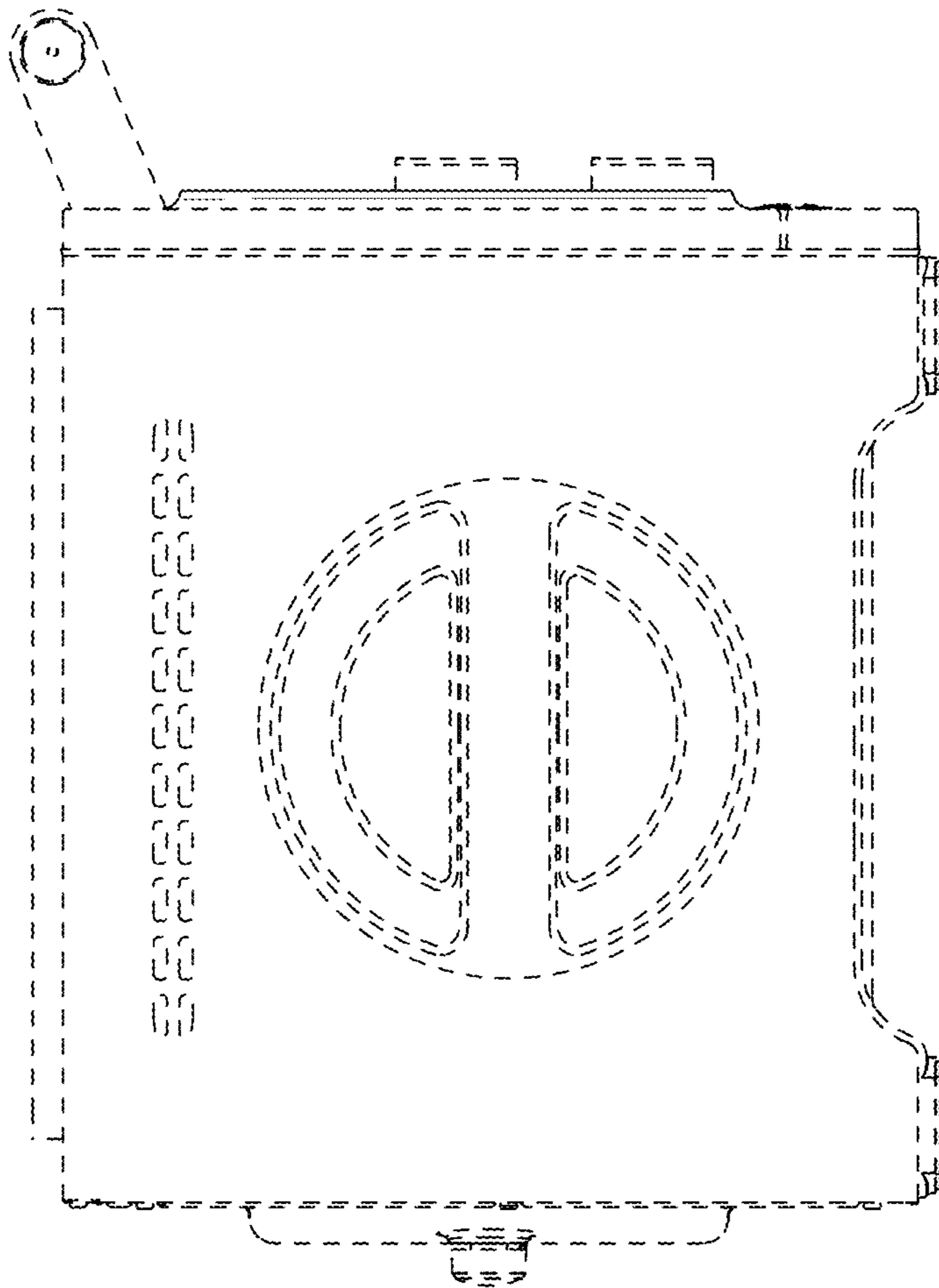


FIG. 6

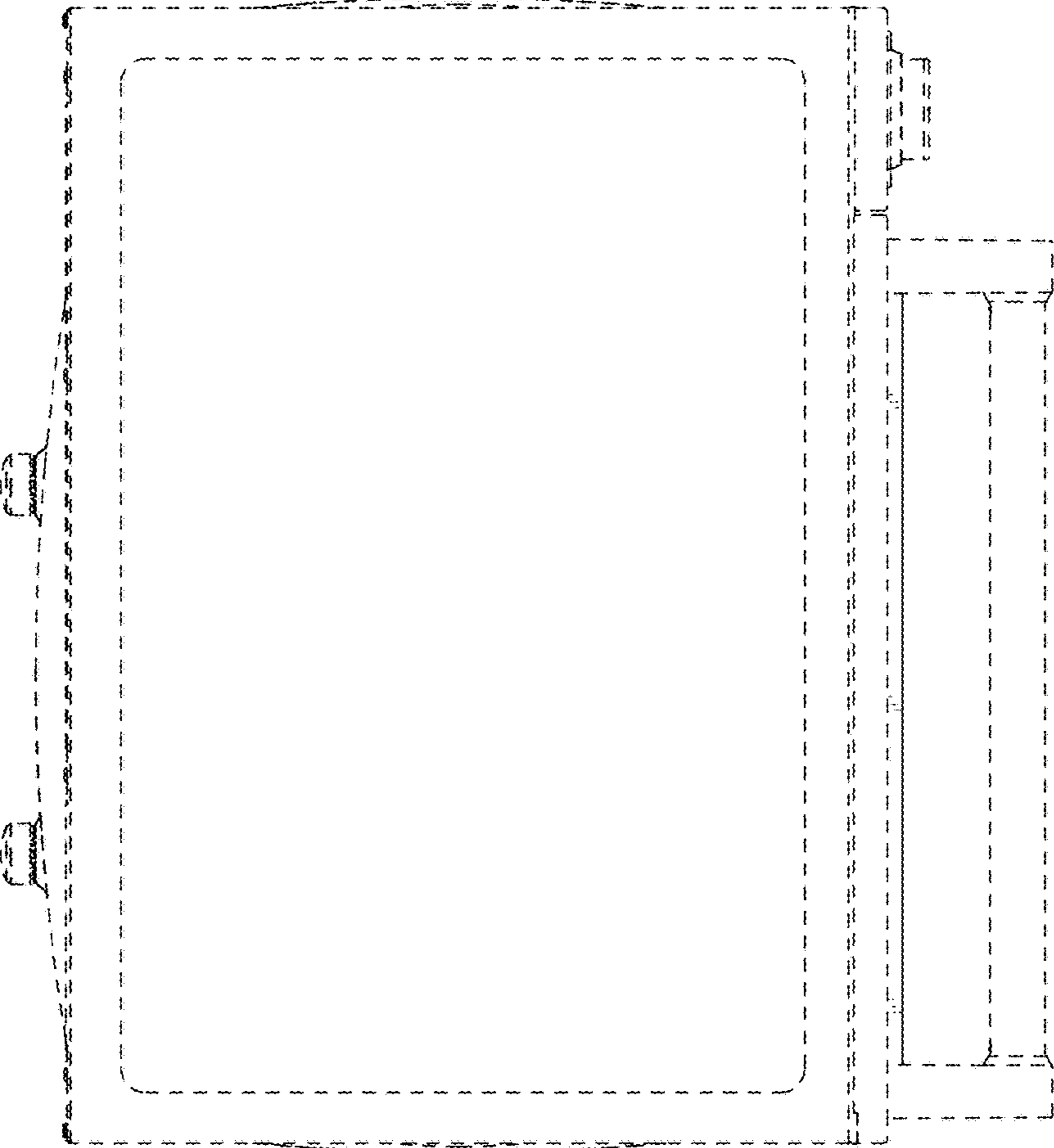


FIG. 7

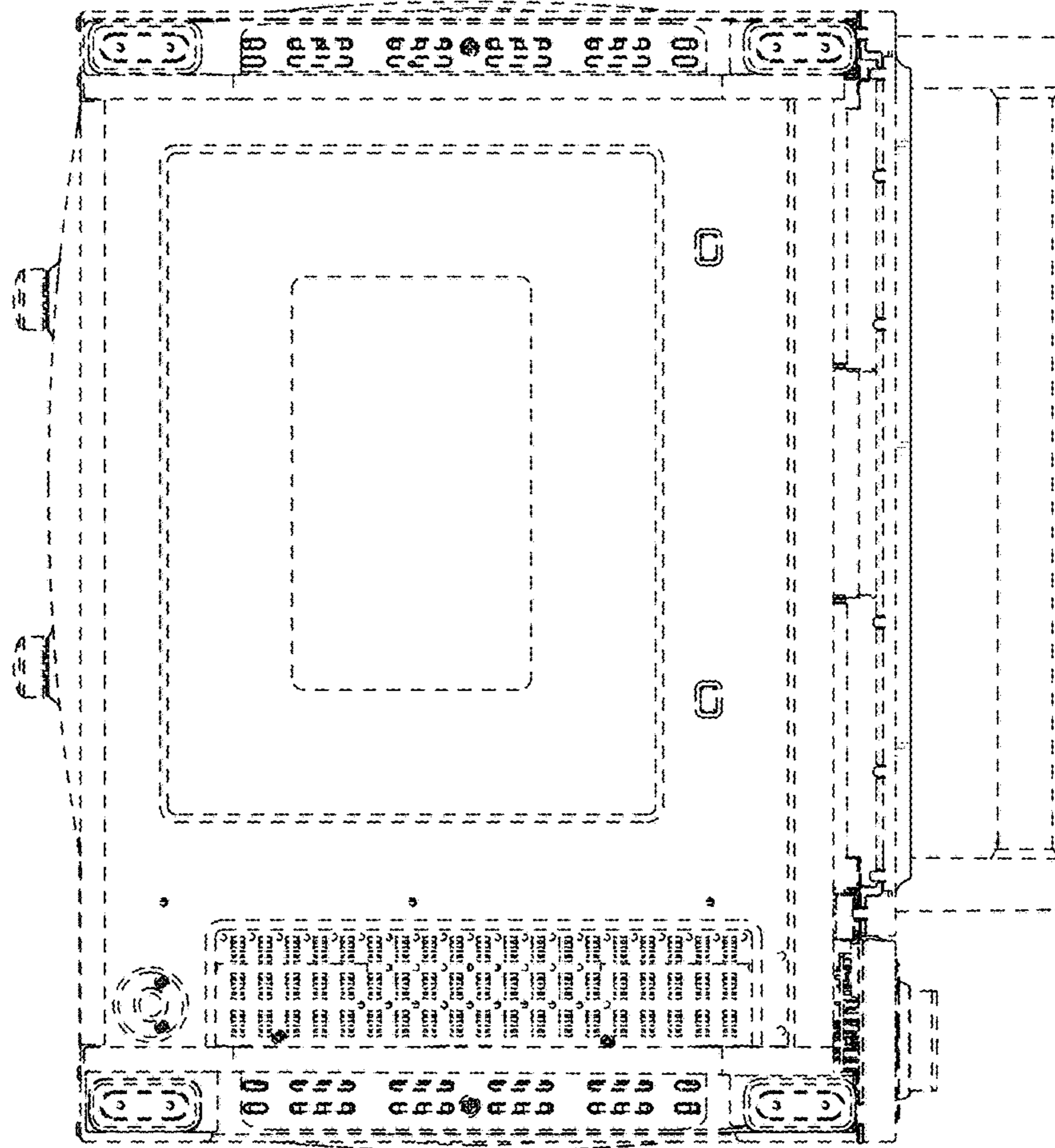


FIG. 8