



US00D827354S

(12) **United States Design Patent** (10) **Patent No.:** **US D827,354 S**
Wong (45) **Date of Patent:** **** Sep. 4, 2018**

(54) **BEVERAGE MAKER**

2012/0216682 A1* 8/2012 Bodum A47J 31/20
99/297

(71) Applicant: **Yan Kwong Wong**, Kowloon (HK)

* cited by examiner

(72) Inventor: **Yan Kwong Wong**, Kowloon (HK)

Primary Examiner — Derrick Holland

(**) Term: **15 Years**

Assistant Examiner — Andrew Kerr

(21) Appl. No.: **29/599,773**

(74) *Attorney, Agent, or Firm* — Gloria Tsui-Yip;
Gottlieb, Rackman & Reisman, P.C.

(22) Filed: **Apr. 6, 2017**

(57) **CLAIM**

The ornamental design for a beverage maker, as shown and described.

(30) **Foreign Application Priority Data**

DESCRIPTION

Oct. 20, 2016 (HK) 1601994

(51) **LOC (11) Cl.** **07-01**

(52) **U.S. Cl.**

USPC **D7/318**

(58) **Field of Classification Search**

USPC D7/300, 302, 305, 312, 316-318, 321,
D7/378, 400, 510; D9/499, 516, 520,
D9/541

CPC A47G 19/14; A47G 19/22; B65D 43/02

See application file for complete search history.

(56) **References Cited**

U.S. PATENT DOCUMENTS

D680,792 S * 4/2013 Bodum D7/317
D682,002 S * 5/2013 Munson D7/318
D802,977 S * 11/2017 Bodum D7/317
D812,432 S * 3/2018 Seiders D7/533

FIG. 1 is a front elevational view of a beverage maker, showing my new design;

FIG. 2 is a left side elevational view thereof;

FIG. 3 is a right side elevational view thereof;

FIG. 4 is a rear elevational view thereof;

FIG. 5 is a top plan view thereof;

FIG. 6 is a bottom plan view thereof;

FIG. 7 is a perspective view thereof;

FIG. 8 is another perspective view thereof;

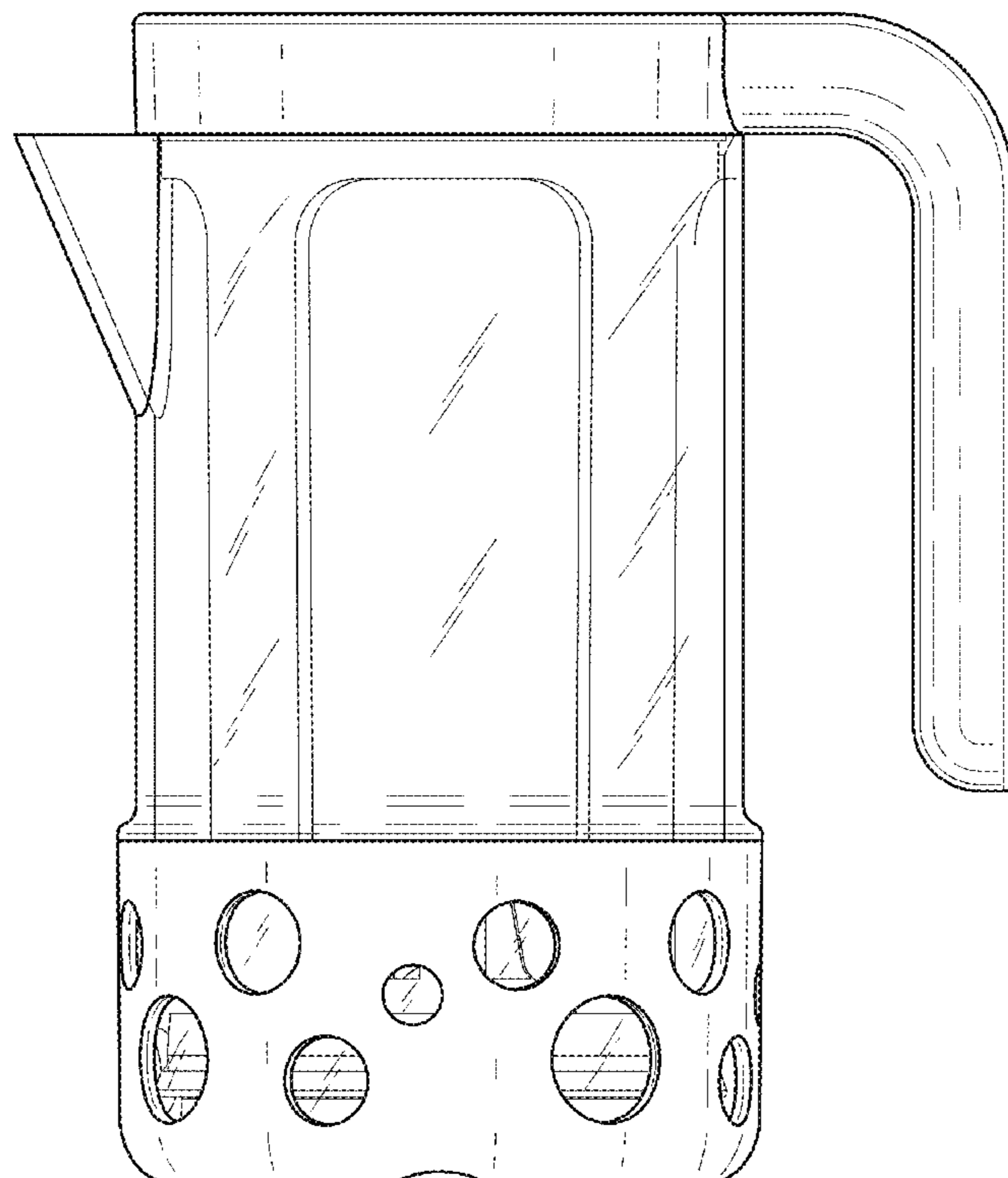
FIG. 9 is a cross-sectional view thereof, taken along line 9-9 of FIG. 3;

FIG. 10 is a perspective exploded view thereof; and,

FIG. 11 is another perspective exploded view thereof.

The broken lines showing represent environmental structure only and form no part of the claimed design.

1 Claim, 11 Drawing Sheets



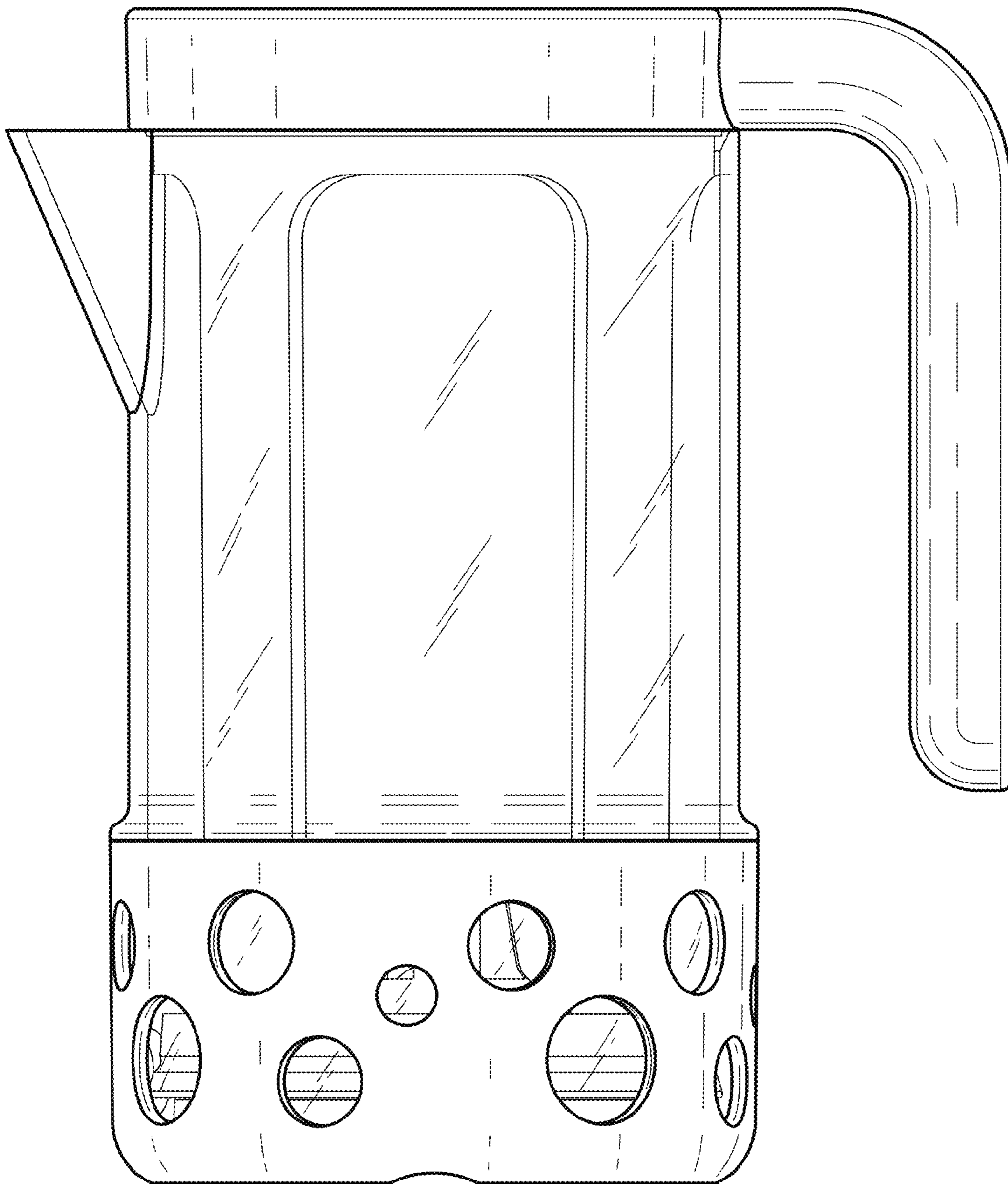


Fig.1

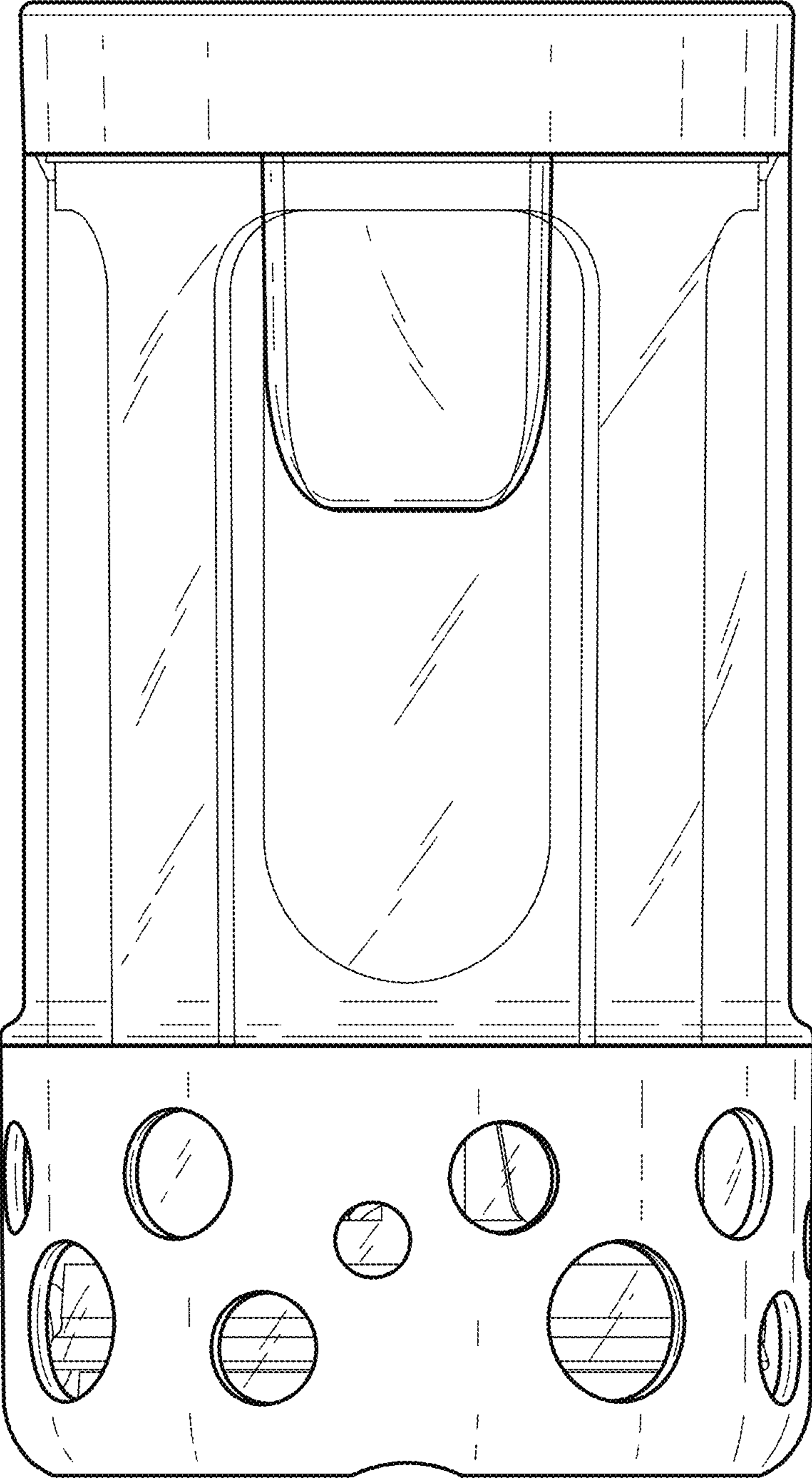


Fig.2

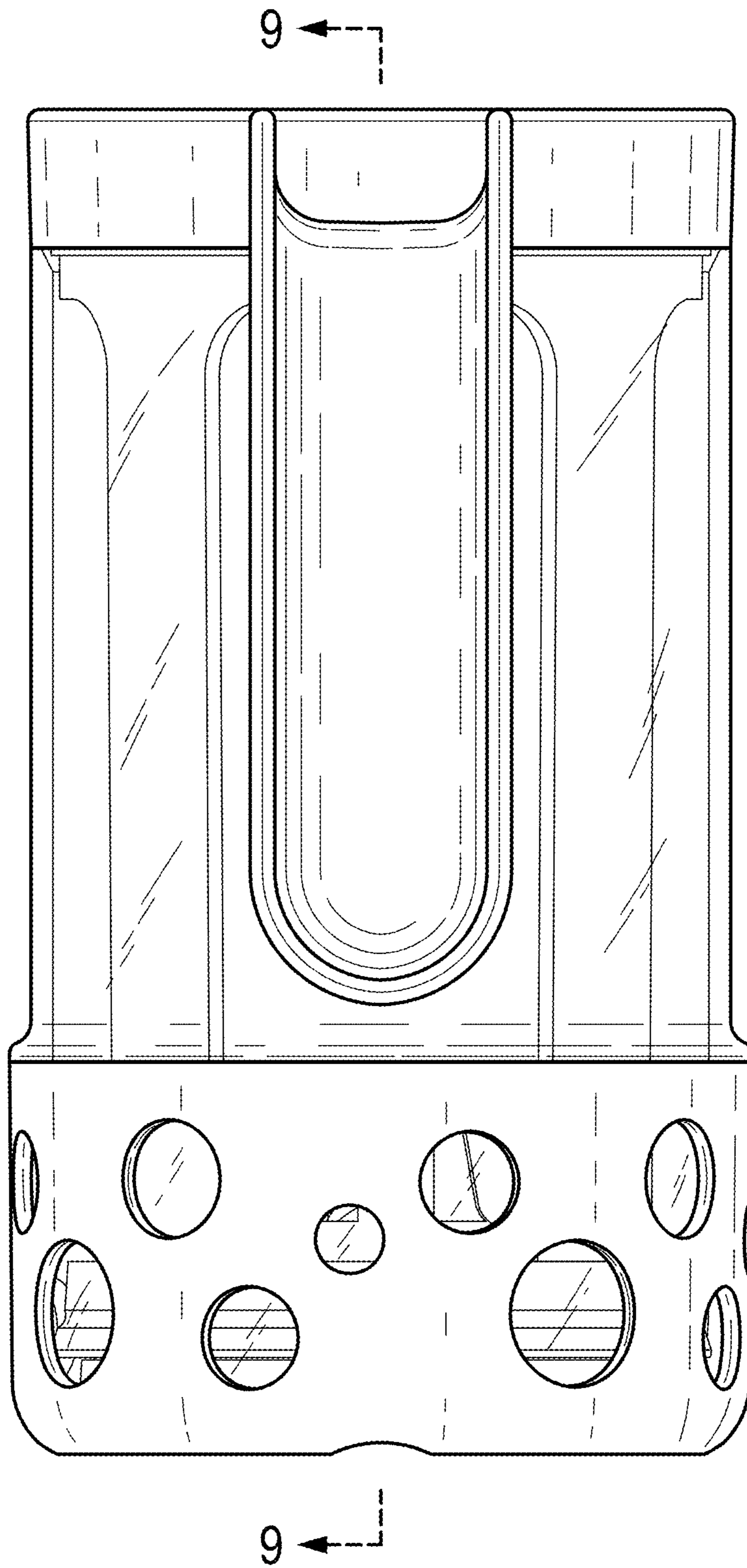


Fig.3

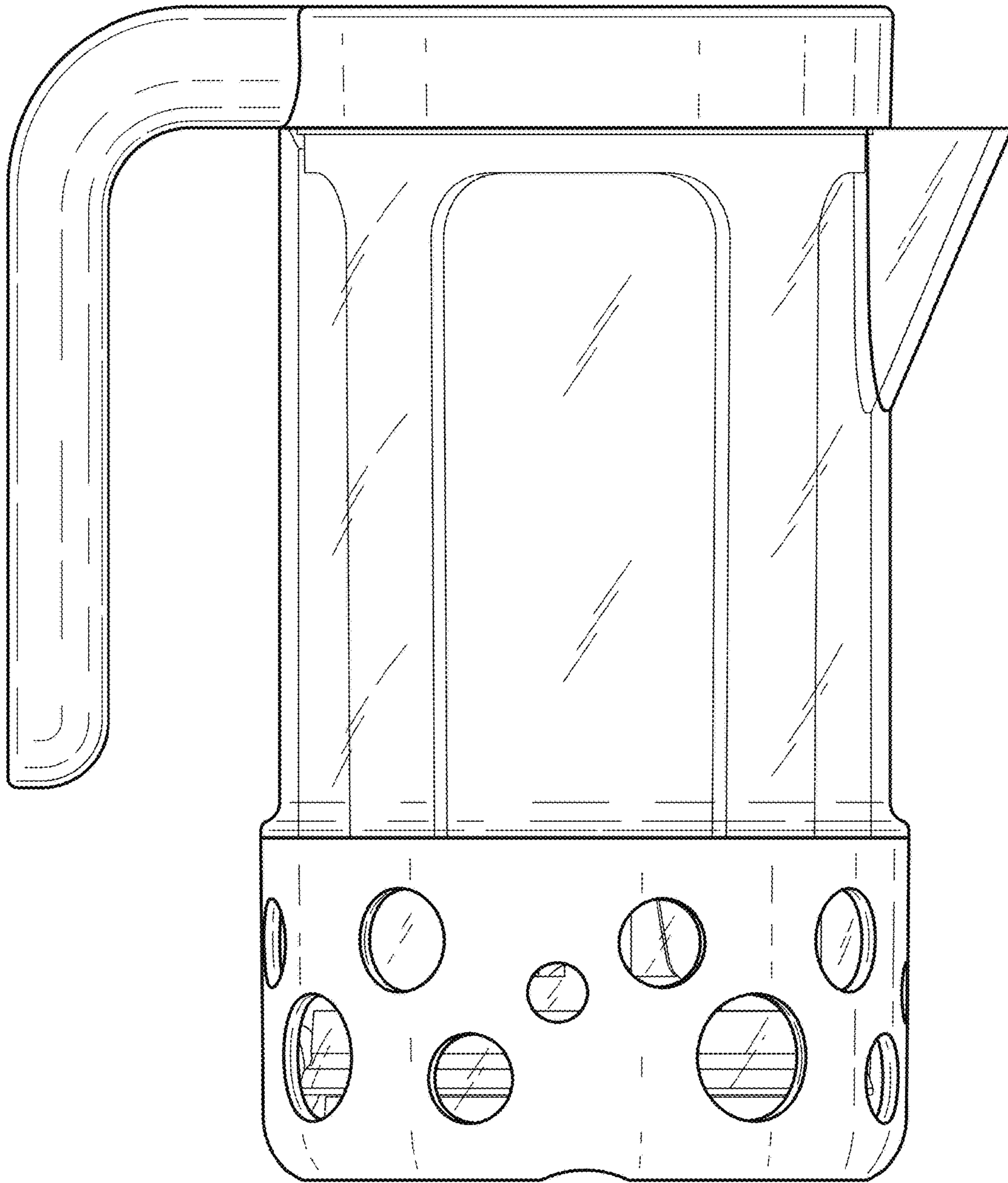


Fig.4

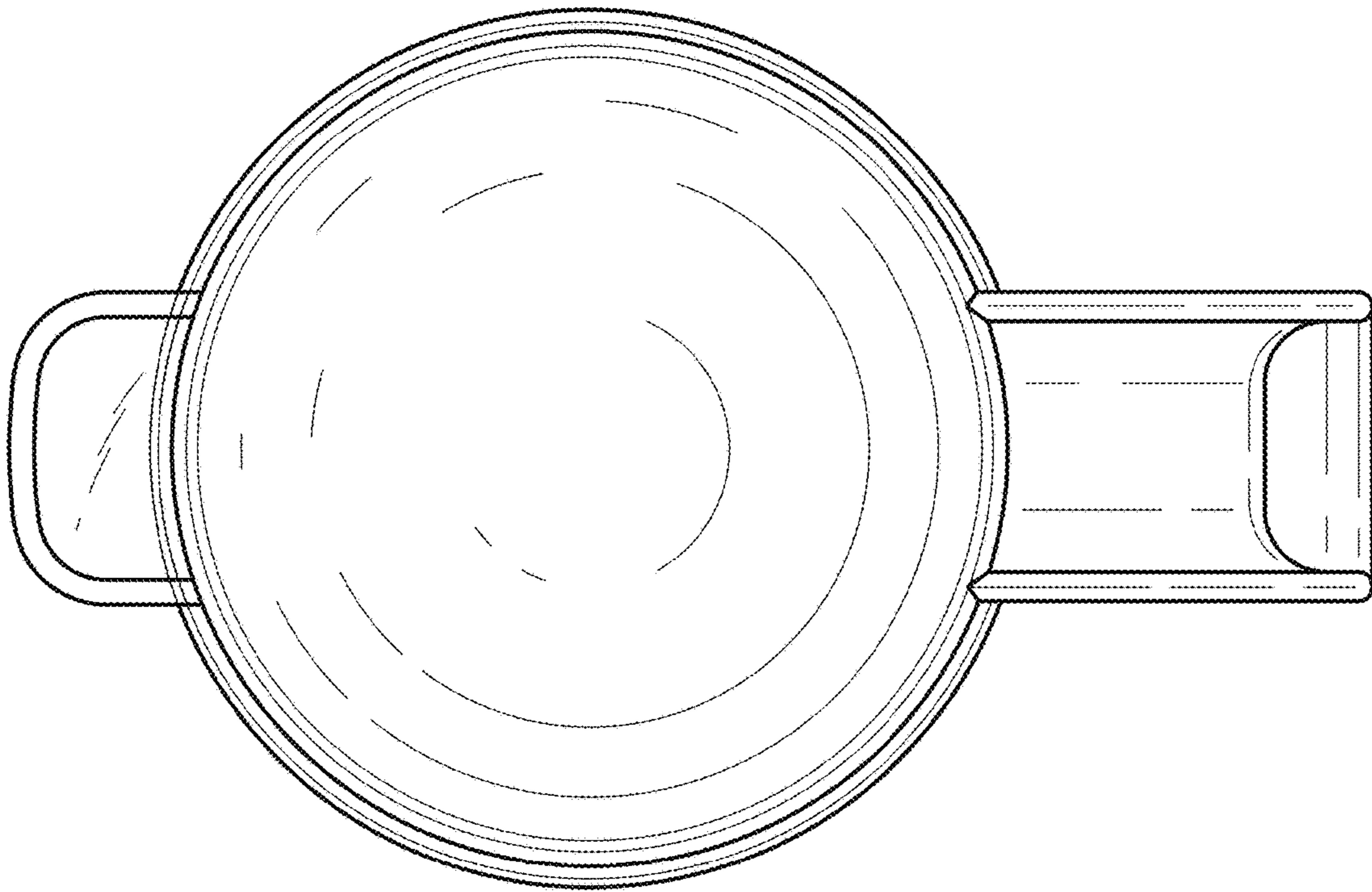


Fig.5

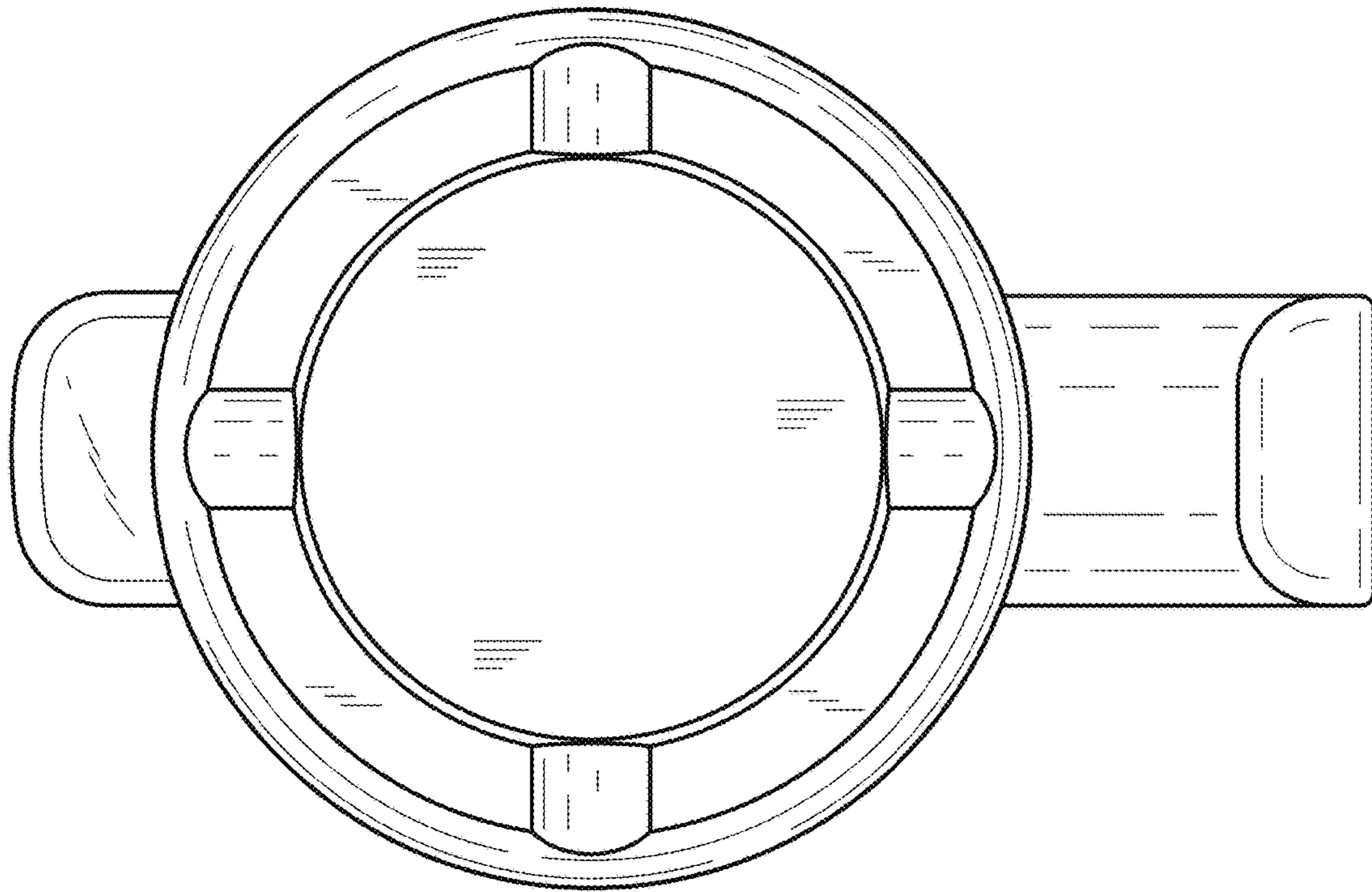


Fig.6

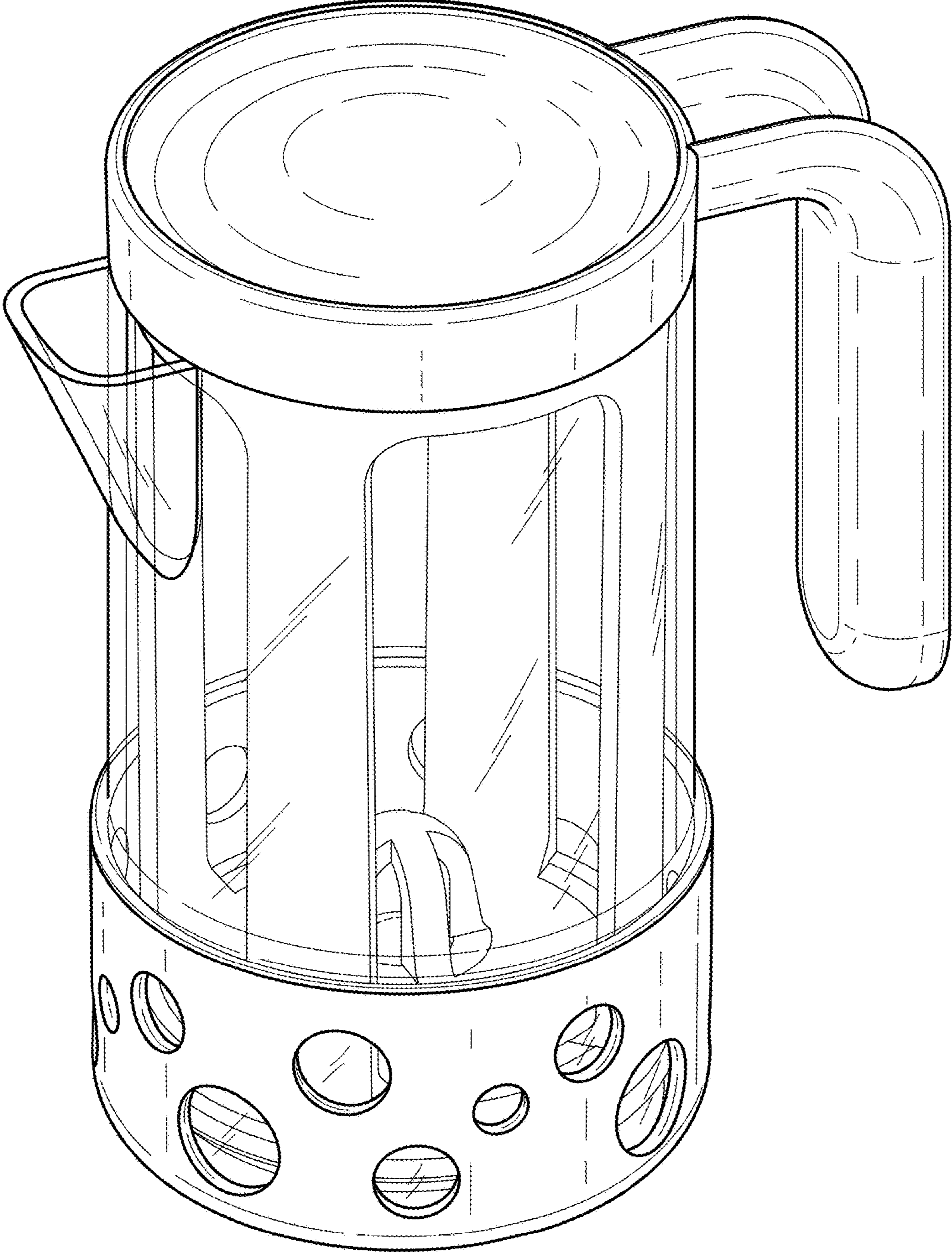


Fig.7

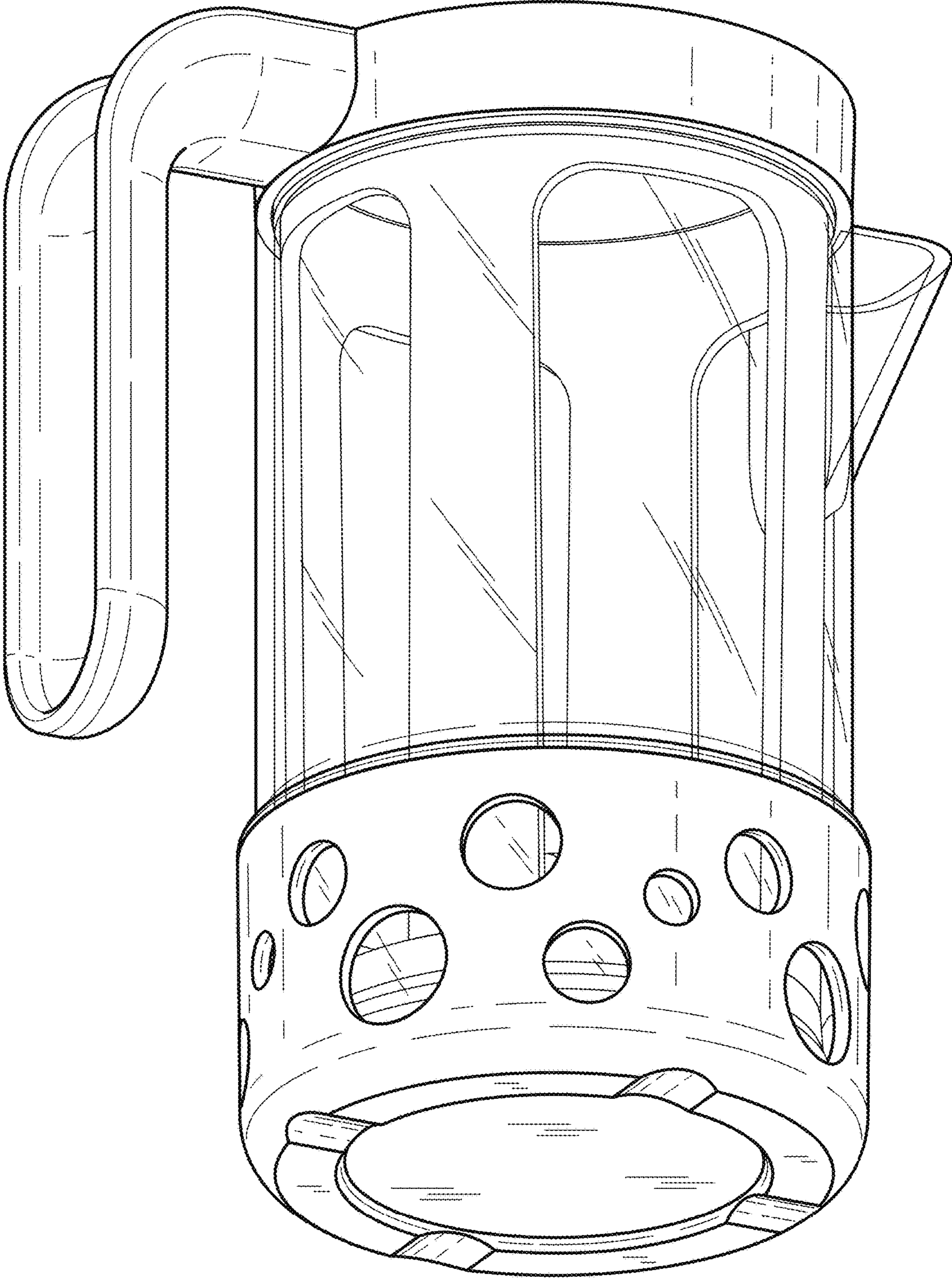


Fig.8

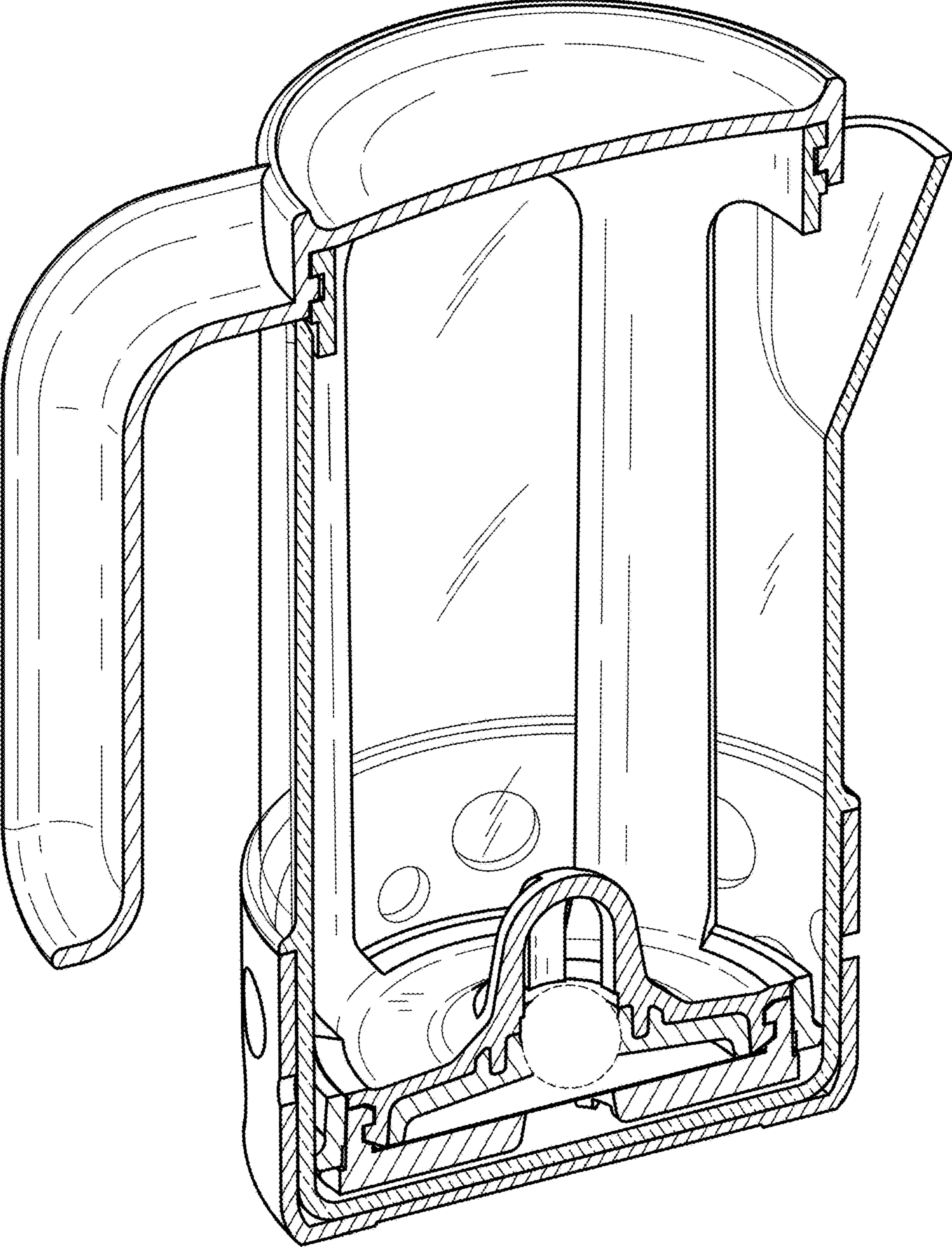


Fig.9

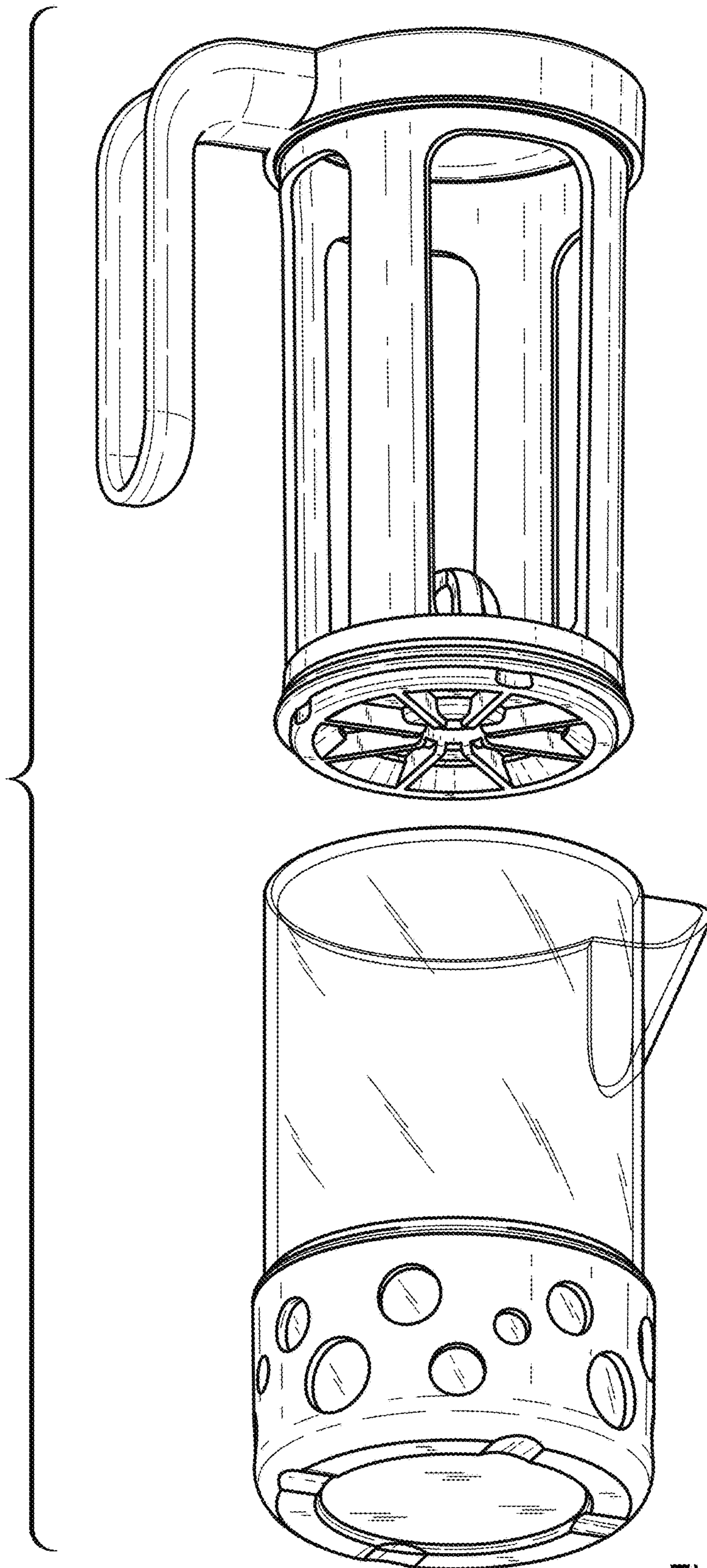


Fig.10

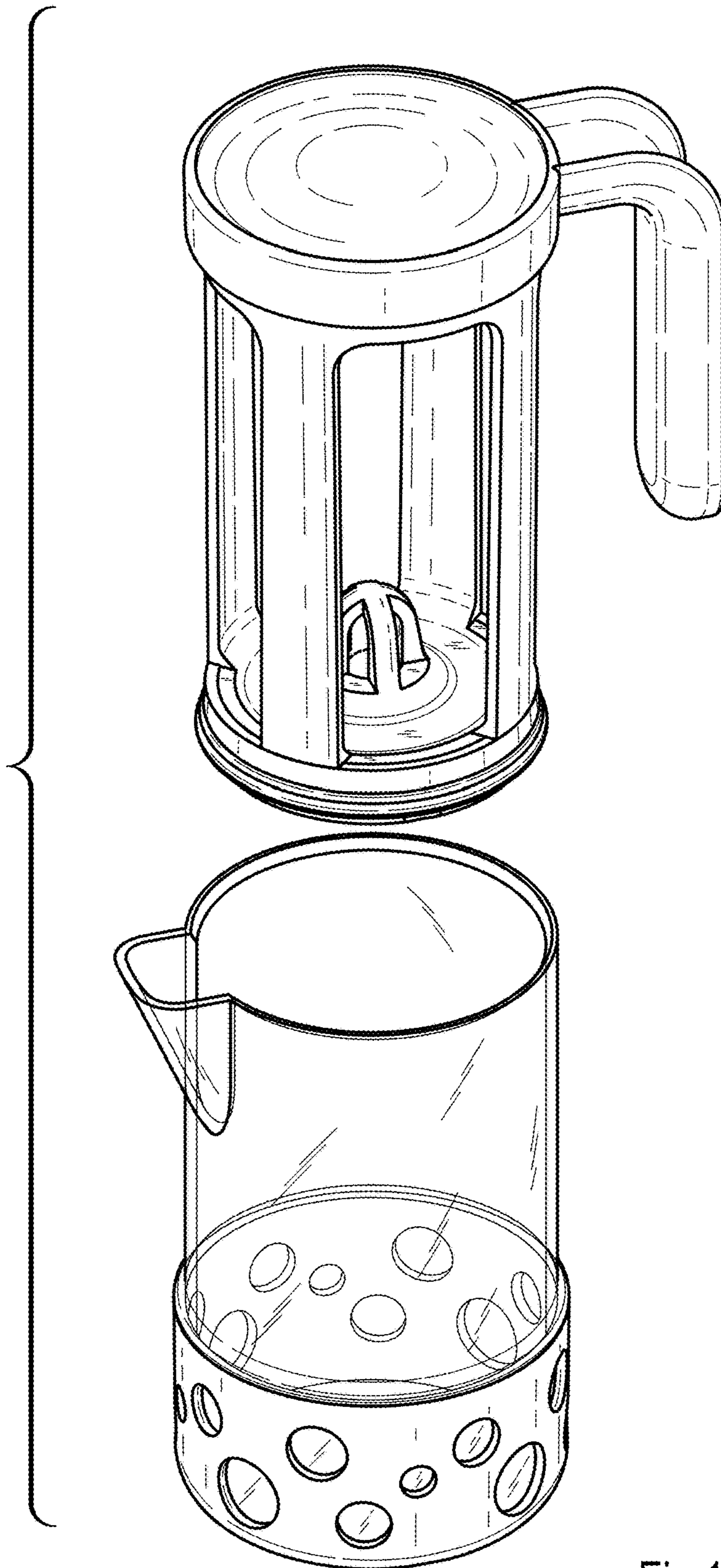


Fig.11