



US00D827353S

(12) **United States Design Patent** (10) **Patent No.:** **US D827,353 S**
Hare (45) **Date of Patent:** **** Sep. 4, 2018**

(54) **BEVERAGE DISPENSER**
(71) Applicant: **Charles Christopher Hare**, Franklin, TN (US)
(72) Inventor: **Charles Christopher Hare**, Franklin, TN (US)
(**) Term: **15 Years**
(21) Appl. No.: **29/582,861**
(22) Filed: **Oct. 31, 2016**
(51) **LOC (11) Cl.** **07-01**
(52) **U.S. Cl.**
USPC **D7/313; D7/306**
(58) **Field of Classification Search**
USPC D7/300, 312, 313, 306, 512; 220/666
CPC B65D 21/086; B65D 77/068; A61J 1/05;
B67D 3/0012
See application file for complete search history.

D636,214 S * 4/2011 Parker D7/306
D663,565 S * 7/2012 Yang D7/306
8,225,958 B2 * 7/2012 Nielsen B67D 3/045
220/281
8,556,124 B2 * 10/2013 Edwards B65D 77/068
222/105
D713,193 S * 9/2014 English D7/306
D723,857 S * 3/2015 Saadeh D7/300
9,193,512 B2 * 11/2015 Brooks B65D 77/067
D753,947 S * 4/2016 Saadeh D7/306
D801,744 S * 11/2017 Gold D7/306
D813,585 S * 3/2018 Roberts D7/306
D814,841 S * 4/2018 Sluijter D7/306
2011/0036864 A1 * 2/2011 McKenna B65D 77/065
222/105

* cited by examiner

Primary Examiner — Marianne Pandozzi
(74) *Attorney, Agent, or Firm* — Patterson Intellectual Property Law, PC

(57) **CLAIM**

What is claimed is the ornamental design for a beverage dispenser, as shown and described.

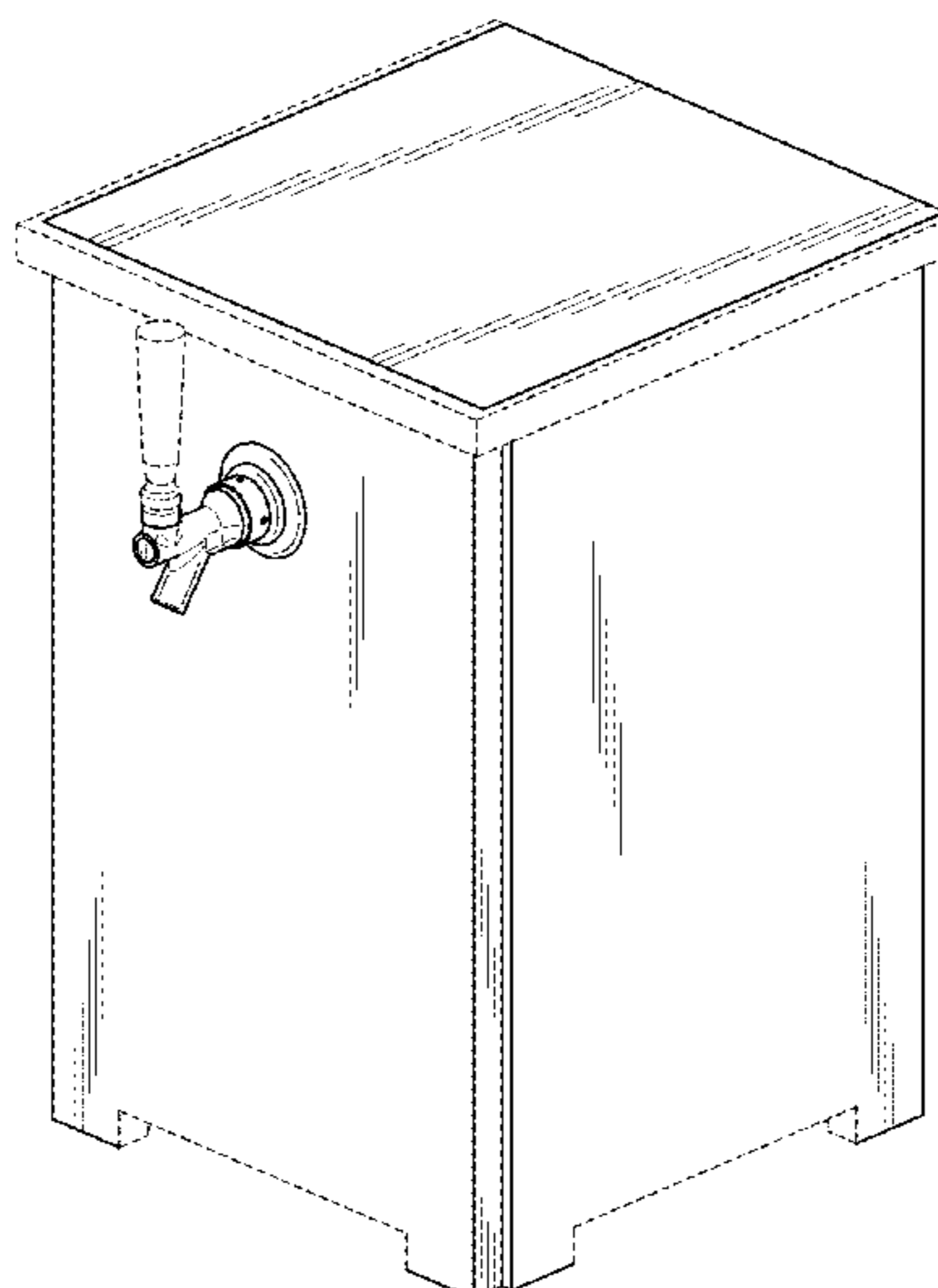
DESCRIPTION

FIG. 1 is a front top perspective view of a beverage dispenser showing my new design;
FIG. 2 is a rear bottom perspective view thereof;
FIG. 3 is a front elevational view thereof;
FIG. 4 is a right elevational view thereof;
FIG. 5 is a rear elevational view thereof;
FIG. 6 is a top plan view thereof;
FIG. 7 is a bottom plan view thereof; and,
FIG. 8 is a rear top perspective view thereof with the door in open position.
The broken lines in the drawing depict portions of the beverage dispenser that form no part of the claimed design.

1 Claim, 7 Drawing Sheets

(56) **References Cited**
U.S. PATENT DOCUMENTS

D193,418 S * 8/1962 Skiers et al. D7/300
3,069,869 A * 12/1962 Mueller F25D 3/14
62/371
3,223,117 A * 12/1965 Curie B65D 47/283
137/556.6
3,664,643 A * 5/1972 La Neve B67D 3/0012
366/149
3,998,143 A * 12/1976 Frye A47J 31/005
219/436
D251,299 S * 3/1979 Neel D7/306
4,996,847 A * 3/1991 Zickler B67D 3/0009
165/185
5,551,600 A * 9/1996 Sasaki B65D 5/606
222/105
6,070,771 A * 6/2000 Hart A47J 31/505
222/146.5
6,708,741 B1 * 3/2004 Berry B67D 3/0009
141/351
D611,289 S * 3/2010 de Visser D7/309



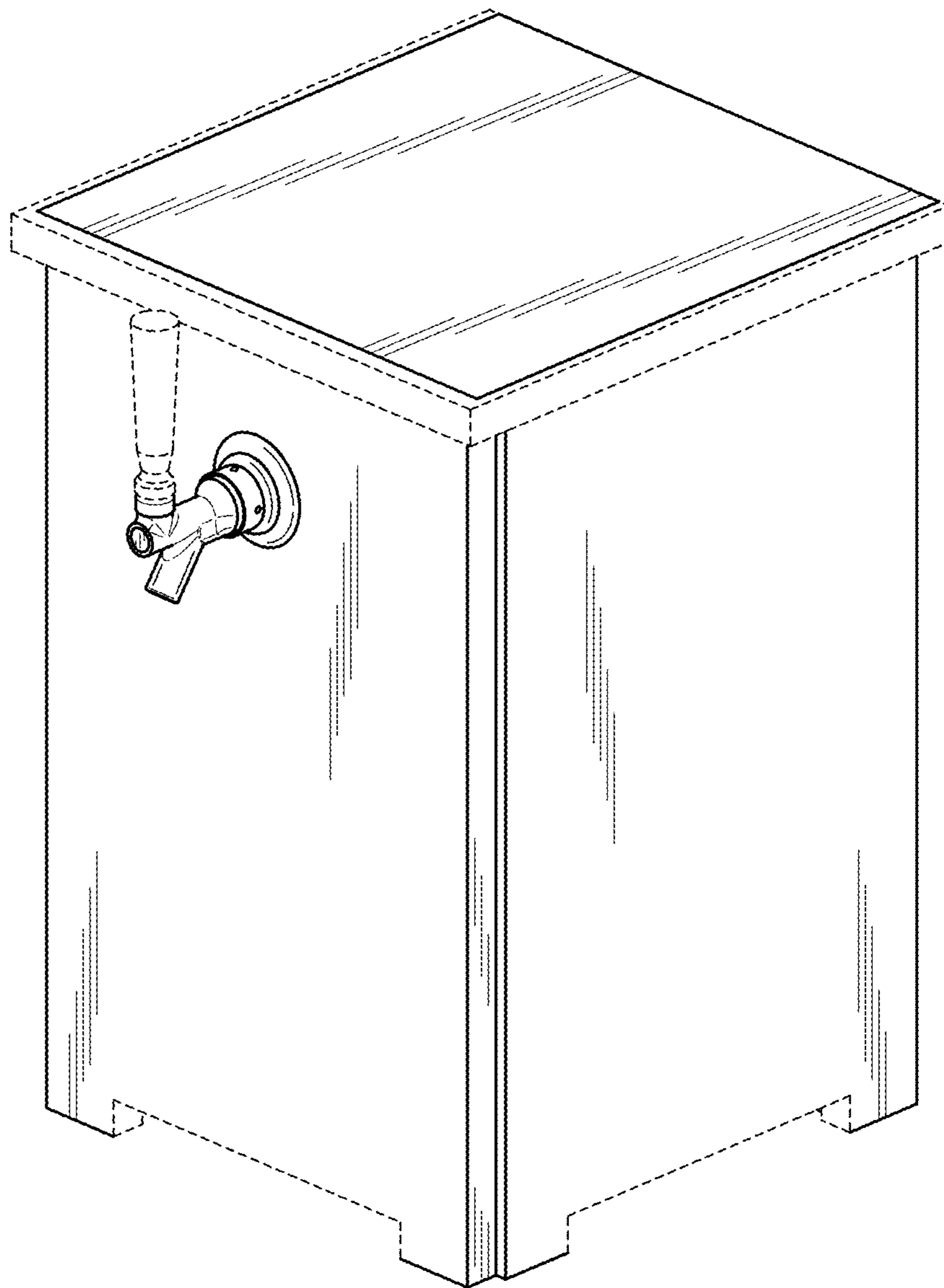


FIG. 1

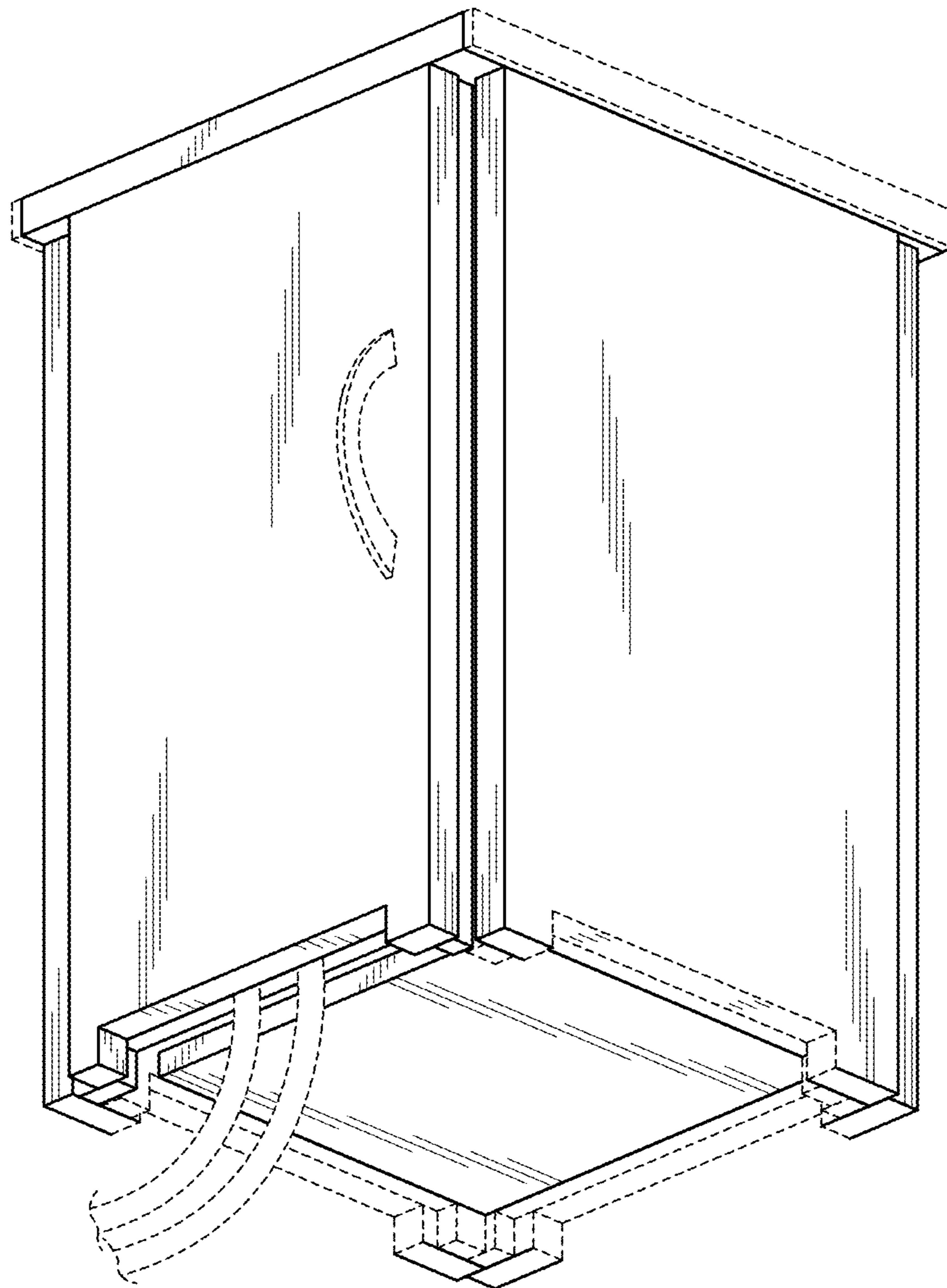


FIG. 2

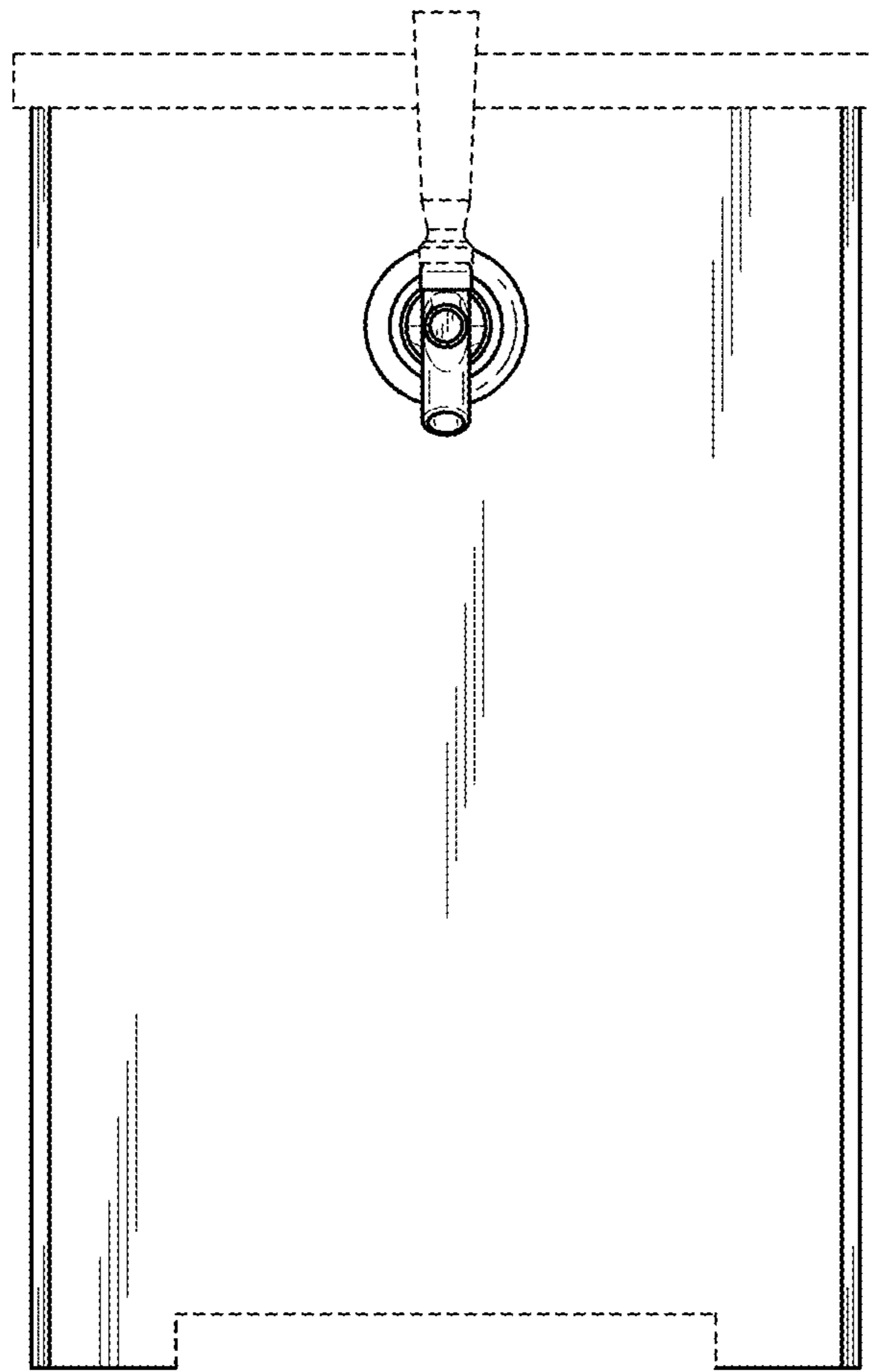


FIG. 3

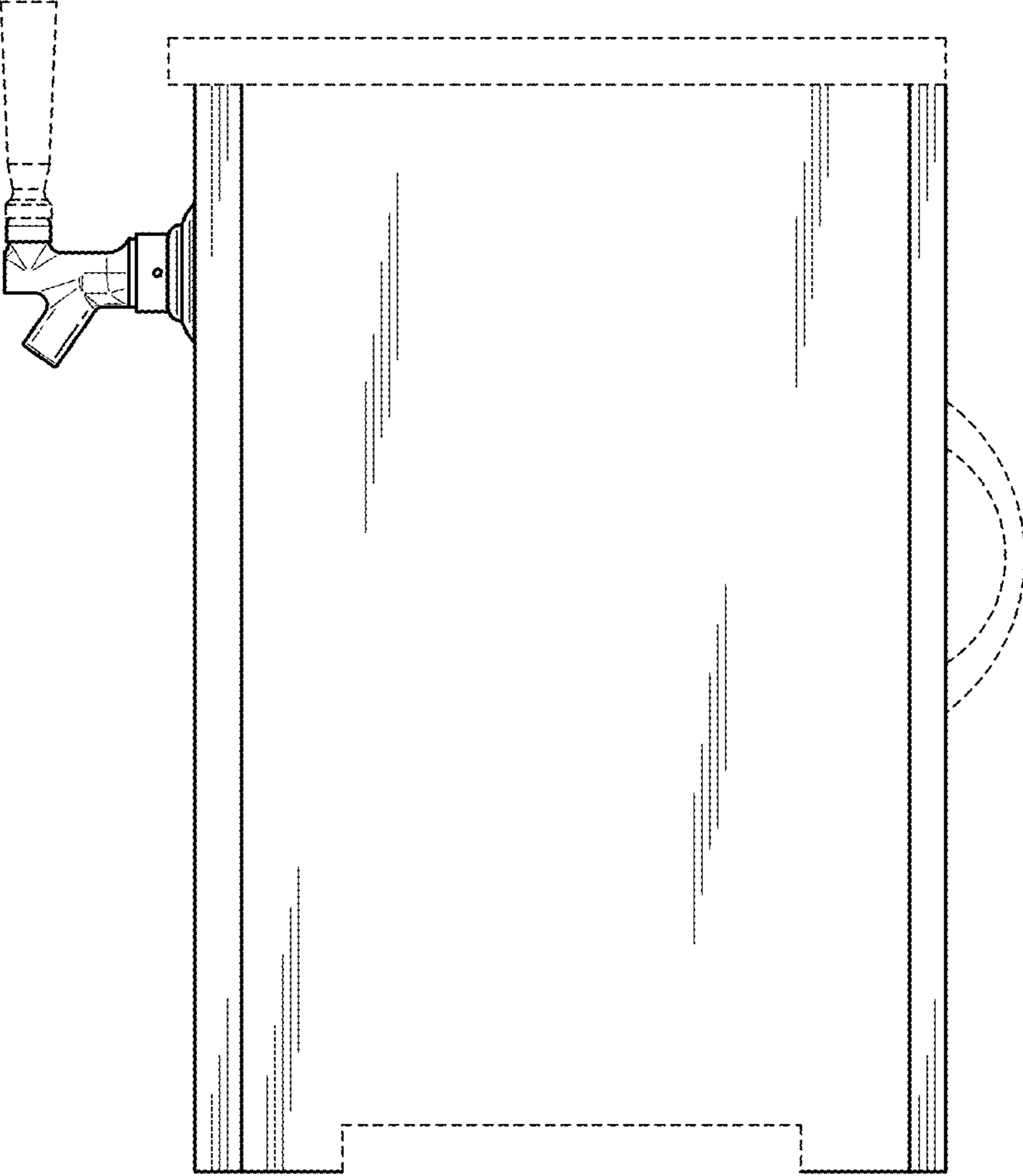


FIG. 4

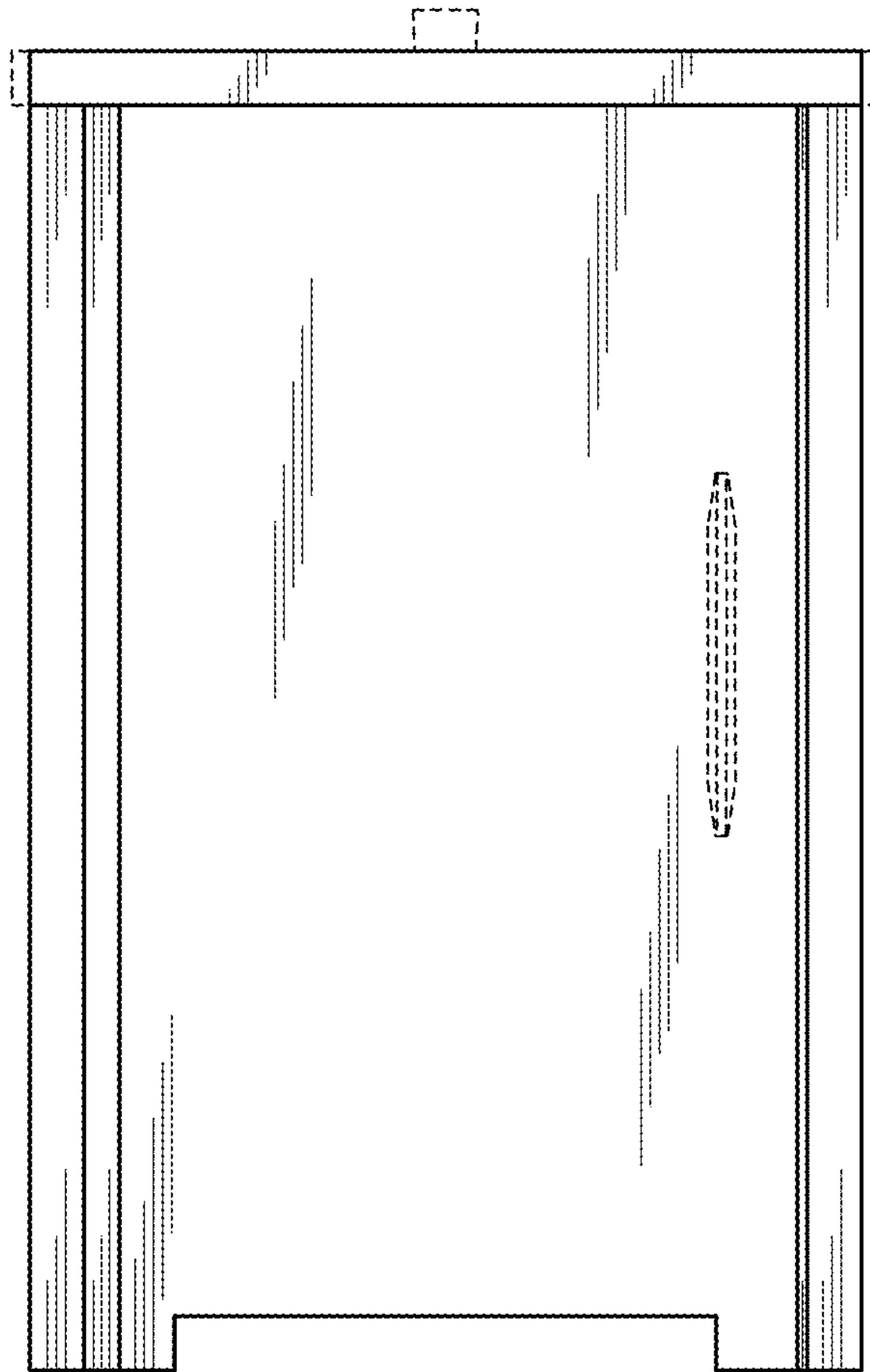


FIG. 5

FIG. 6

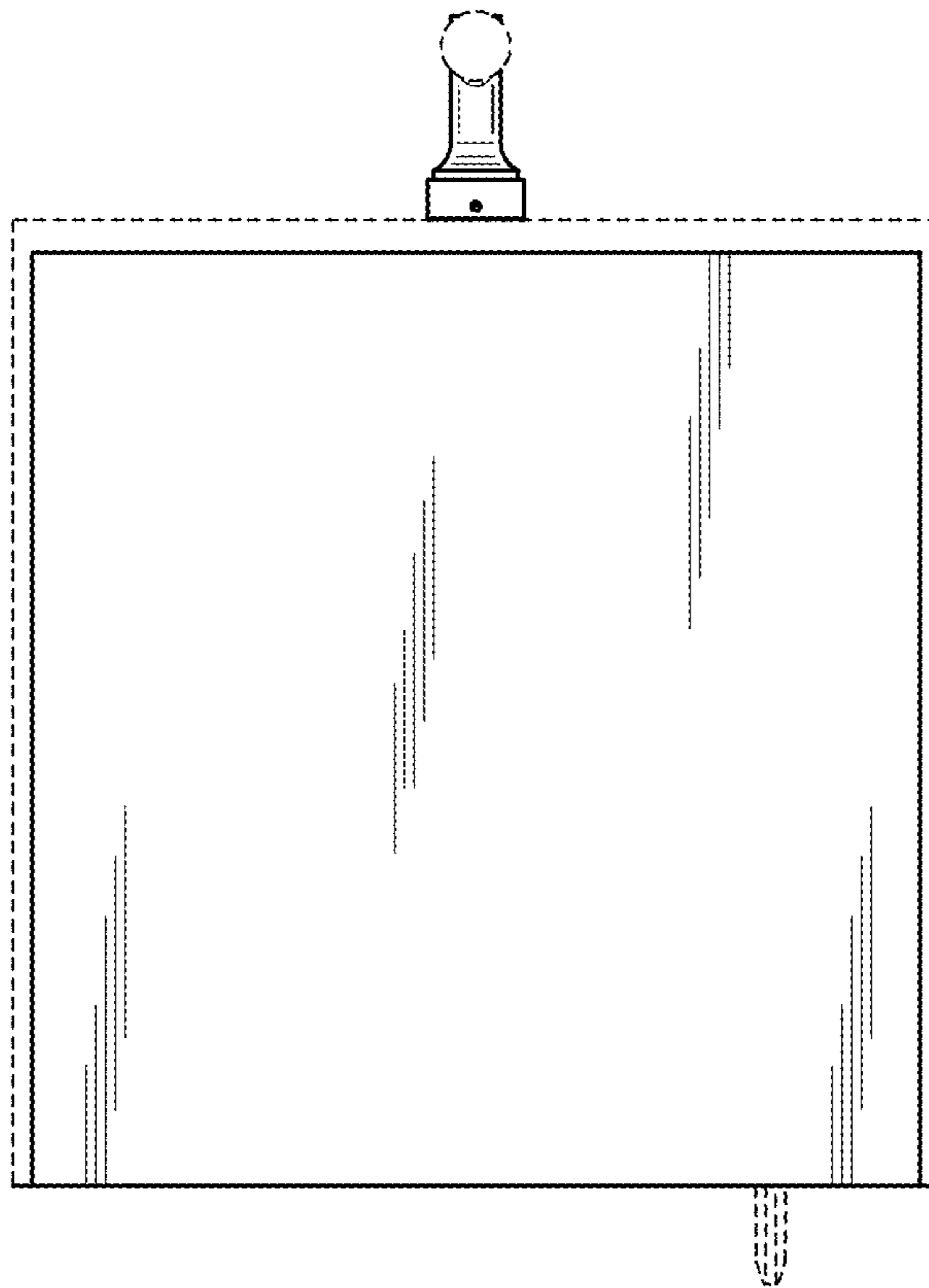
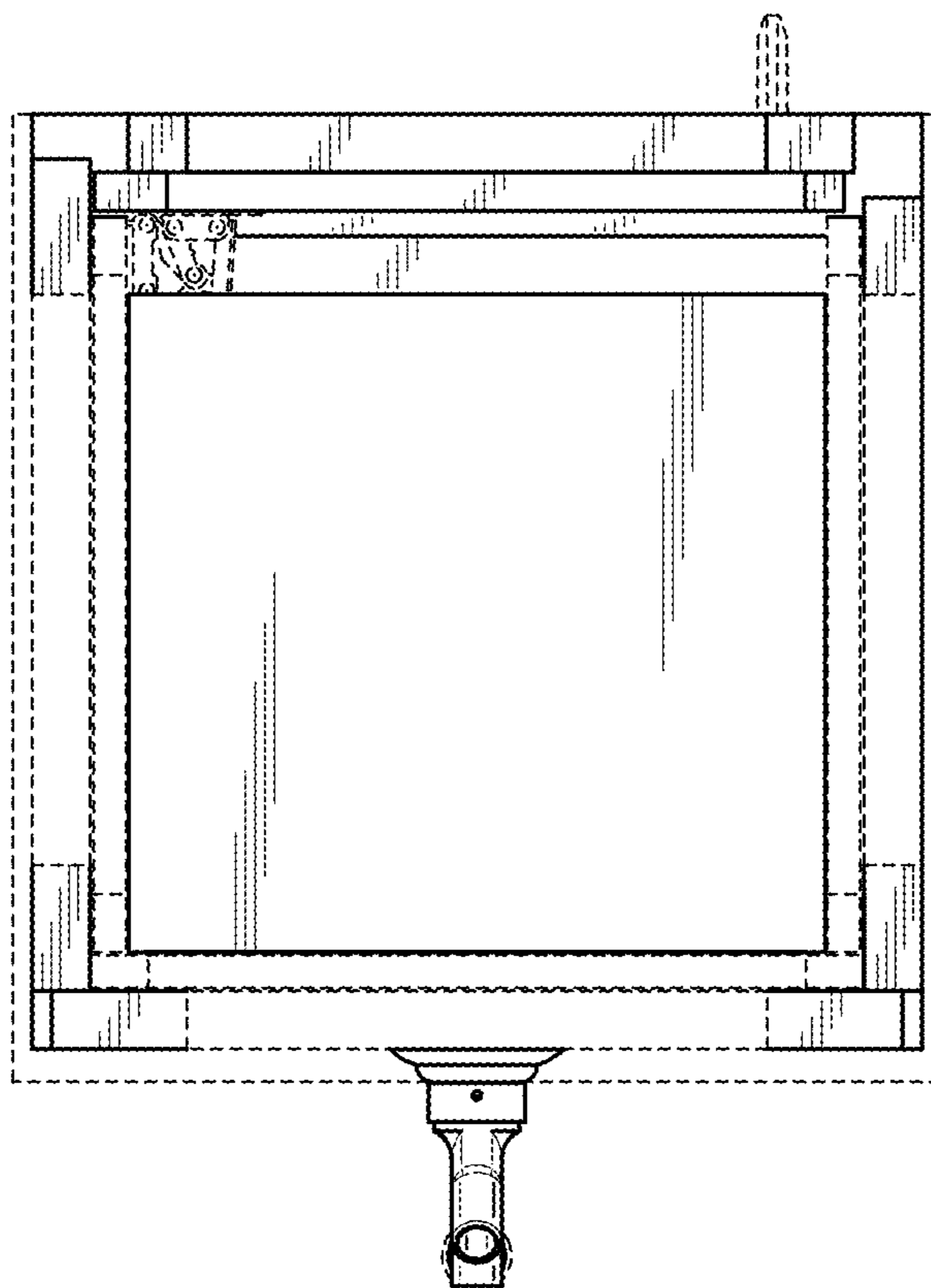


FIG. 7



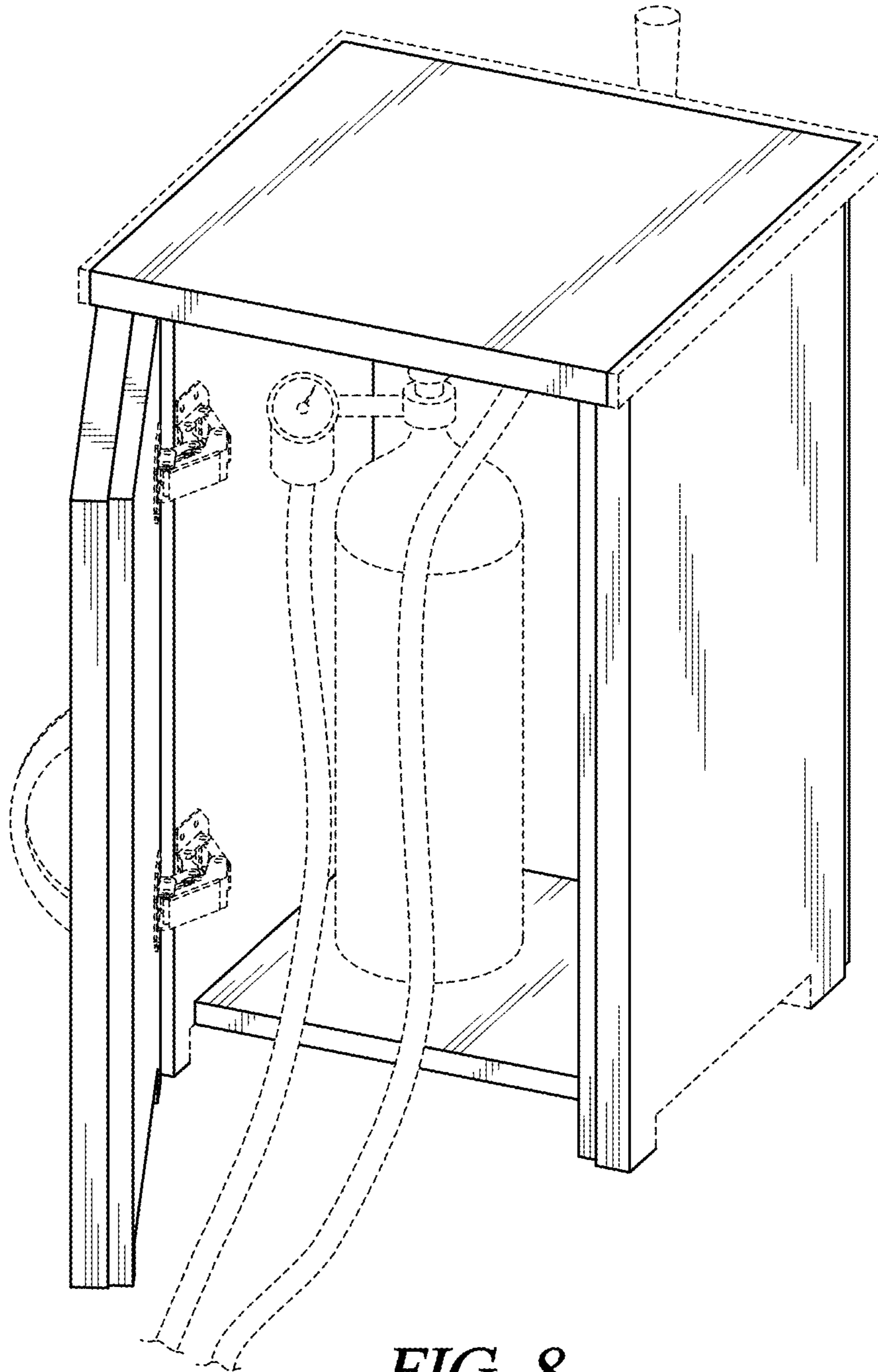


FIG. 8