



US00D827351S

(12) **United States Design Patent**
Egger

(10) **Patent No.:** **US D827,351 S**

(45) **Date of Patent:** **** Sep. 4, 2018**

(54) **ARMREST FOR A CHAIR**

(71) Applicant: **BLUMENTHAL DISTRIBUTING, INC.**, Ontario, CA (US)

(72) Inventor: **Julien Egger**, Ontario, CA (US)

(73) Assignee: **BLUMENTHAL DISTRIBUTING, INC.**, Ontario, CA (US)

(**) Term: **15 Years**

(21) Appl. No.: **29/603,363**

(22) Filed: **May 9, 2017**

(51) **LOC (11) Cl.** **06-01**

(52) **U.S. Cl.**
USPC **D6/716.3; D6/366**

(58) **Field of Classification Search**
USPC D6/334-336, 364, 365, 366, 374, 379,
D6/380, 716, 716.1, 716.2, 716.3
CPC A47C 7/54; A47C 7/543; A47C 7/546;
A47C 7/40; A47C 7/022; A47C 7/282
See application file for complete search history.

(56) **References Cited**

U.S. PATENT DOCUMENTS

D505,283 S * 5/2005 Egger D6/716.3
D535,130 S * 1/2007 Egger D6/716.3

D535,132 S * 1/2007 Egger D6/366
D538,085 S * 3/2007 Mazzera D6/366
D540,076 S * 4/2007 Mazzera D6/716.3
D542,549 S * 5/2007 Hara D6/366
D543,387 S * 5/2007 Smith D6/716.3
D566,438 S * 4/2008 Tsai D6/366
D597,348 S * 8/2009 Vong D6/716.3
D602,718 S * 10/2009 Mezzera D6/716.3
D686,862 S * 7/2013 Egger D6/716.3
D774,342 S * 12/2016 Egger D6/716.3

* cited by examiner

Primary Examiner — Mimosa De

(74) *Attorney, Agent, or Firm* — Lewis Roca Rothgerber Christie LLP

(57) **CLAIM**

The ornamental design for armrest for a chair, as shown and described.

DESCRIPTION

FIG. 1 is a perspective view of the armrest for a chair; FIG. 2 is an exterior side view thereof; FIG. 3 is an interior side view thereof; FIG. 4 is a front view thereof; FIG. 5 is a rear view thereof; FIG. 6 is a top view thereof; and, FIG. 7 is a bottom view thereof. The broken lines in the drawings are for illustrative purpose only and form no part of the claimed design.

1 Claim, 5 Drawing Sheets

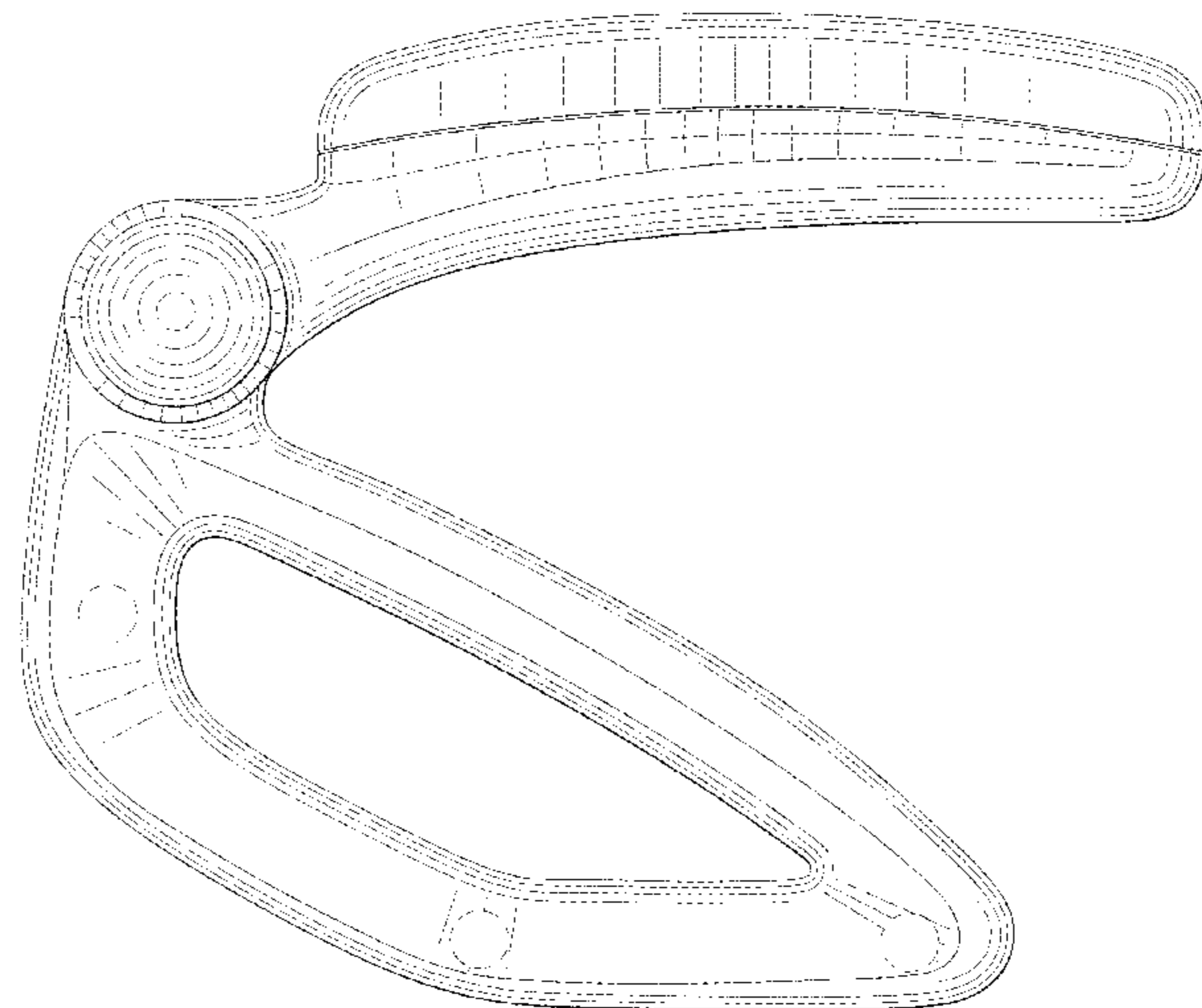
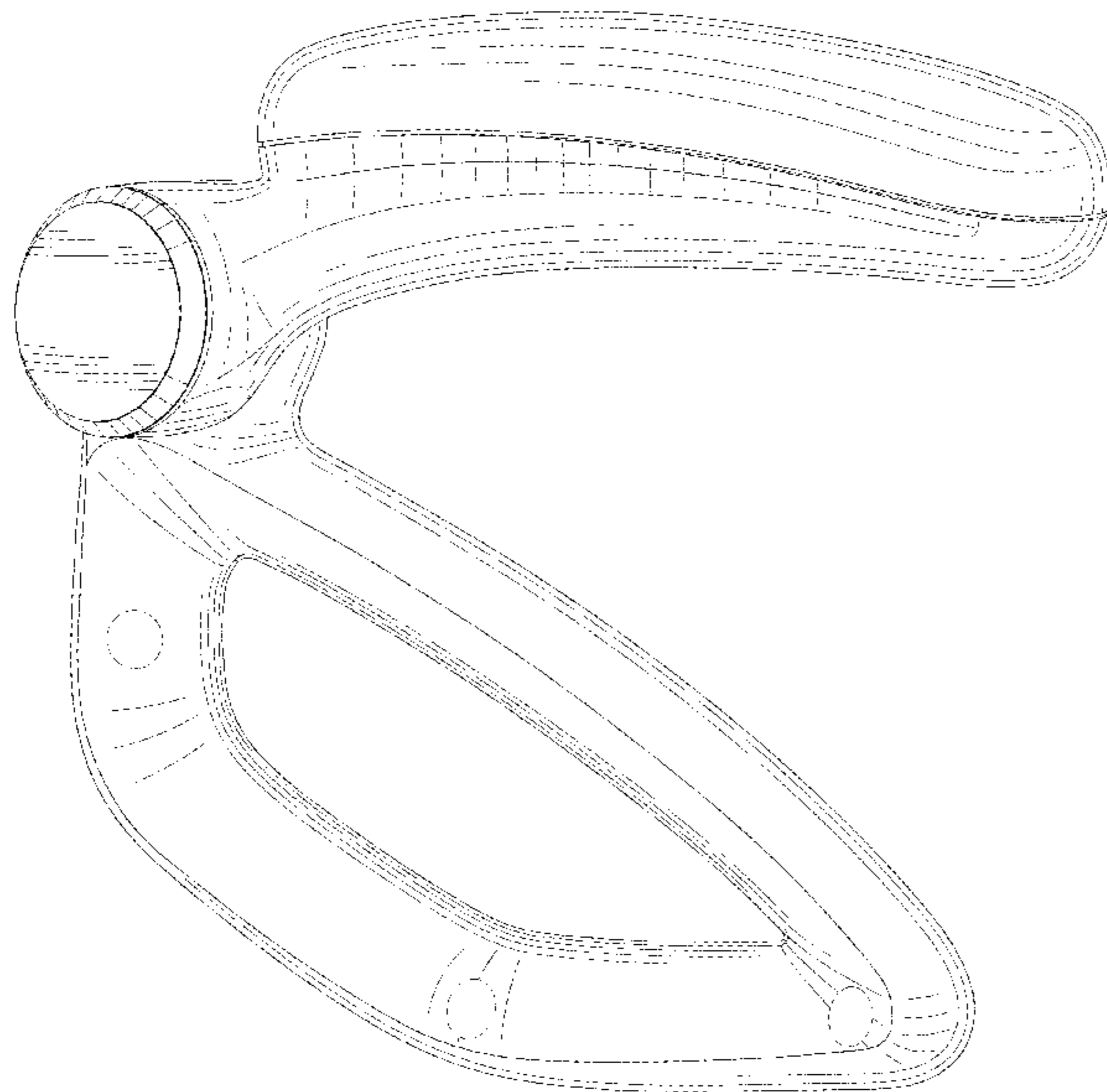


FIG. 1

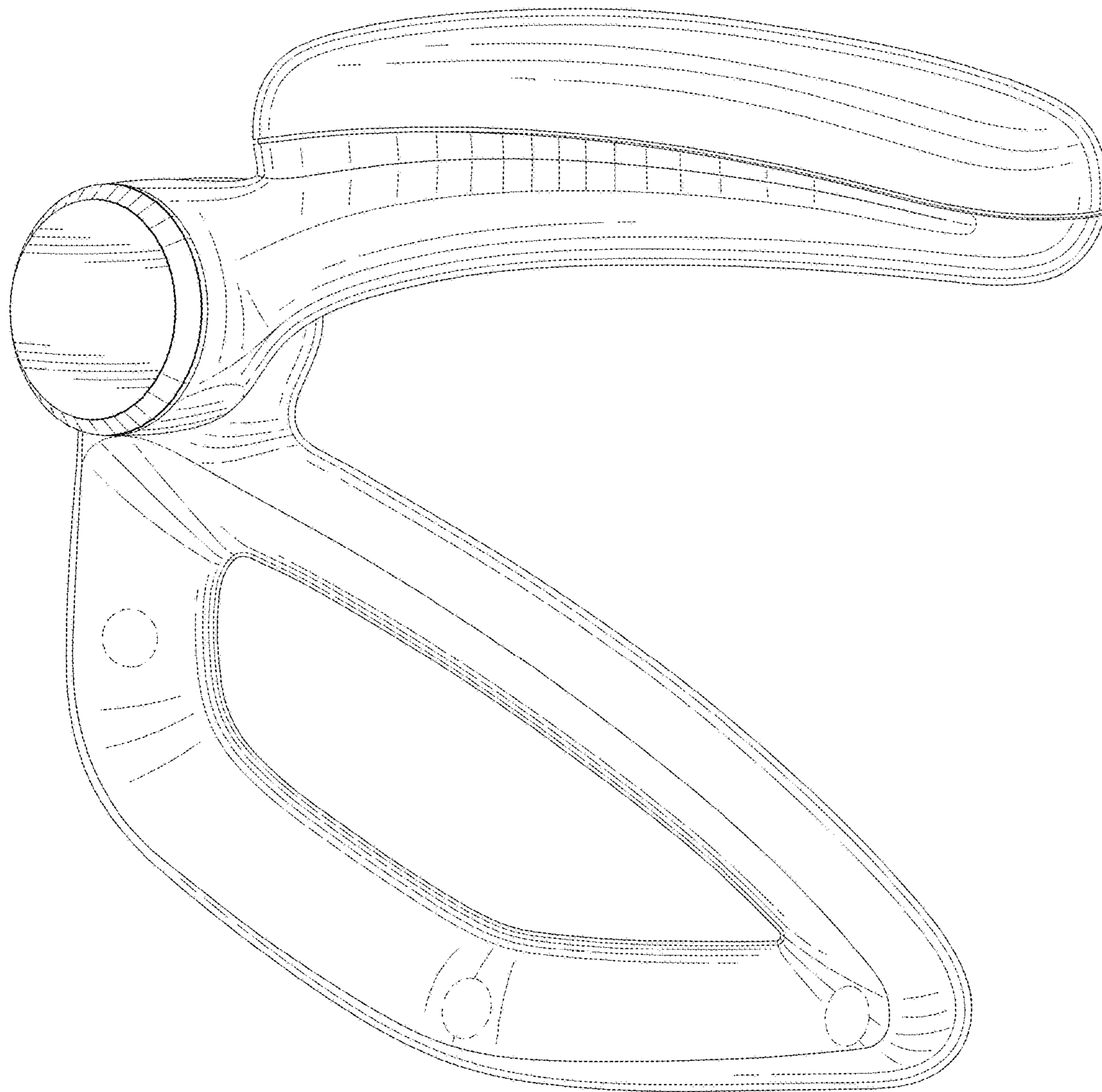


FIG. 2

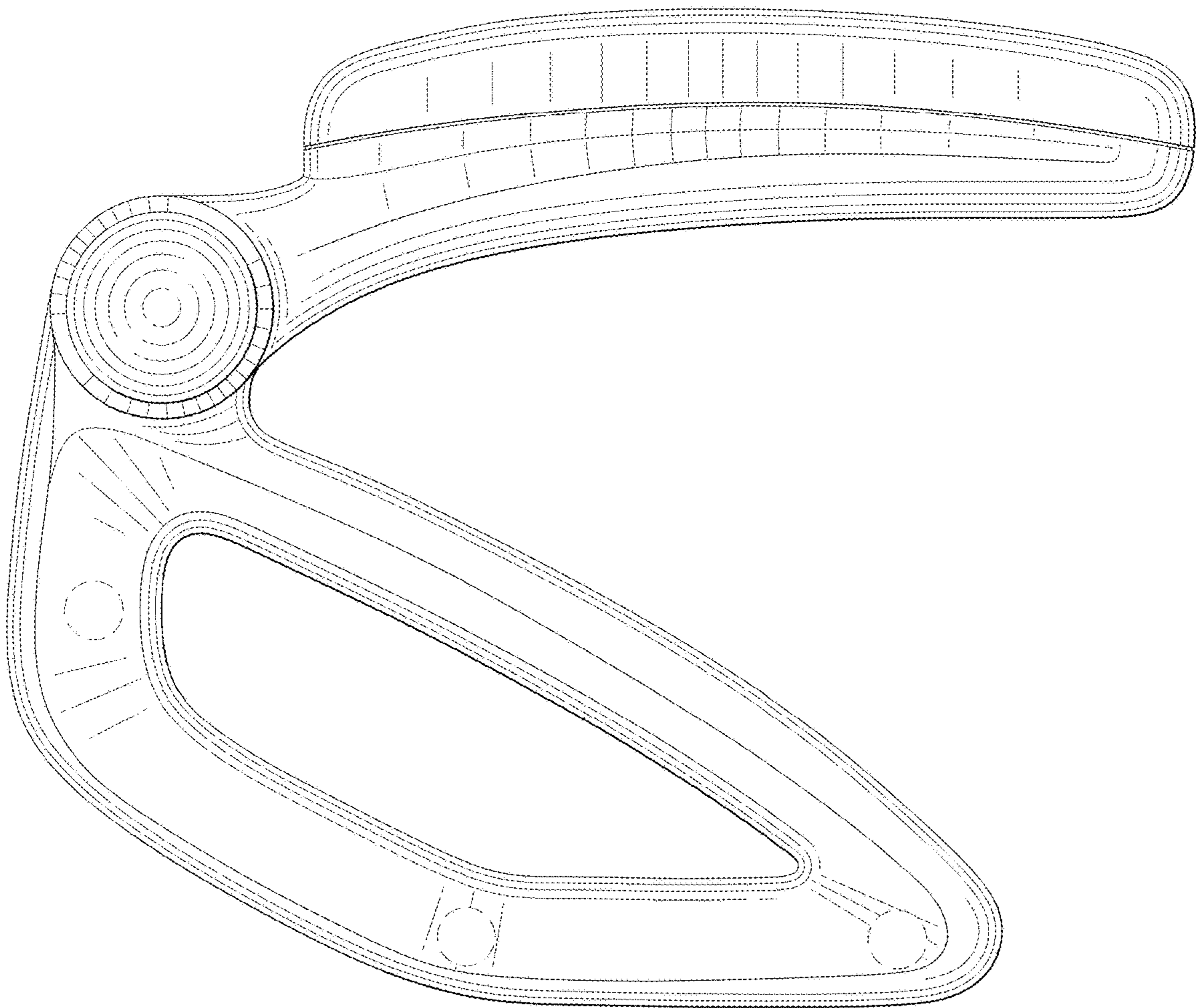


FIG. 3

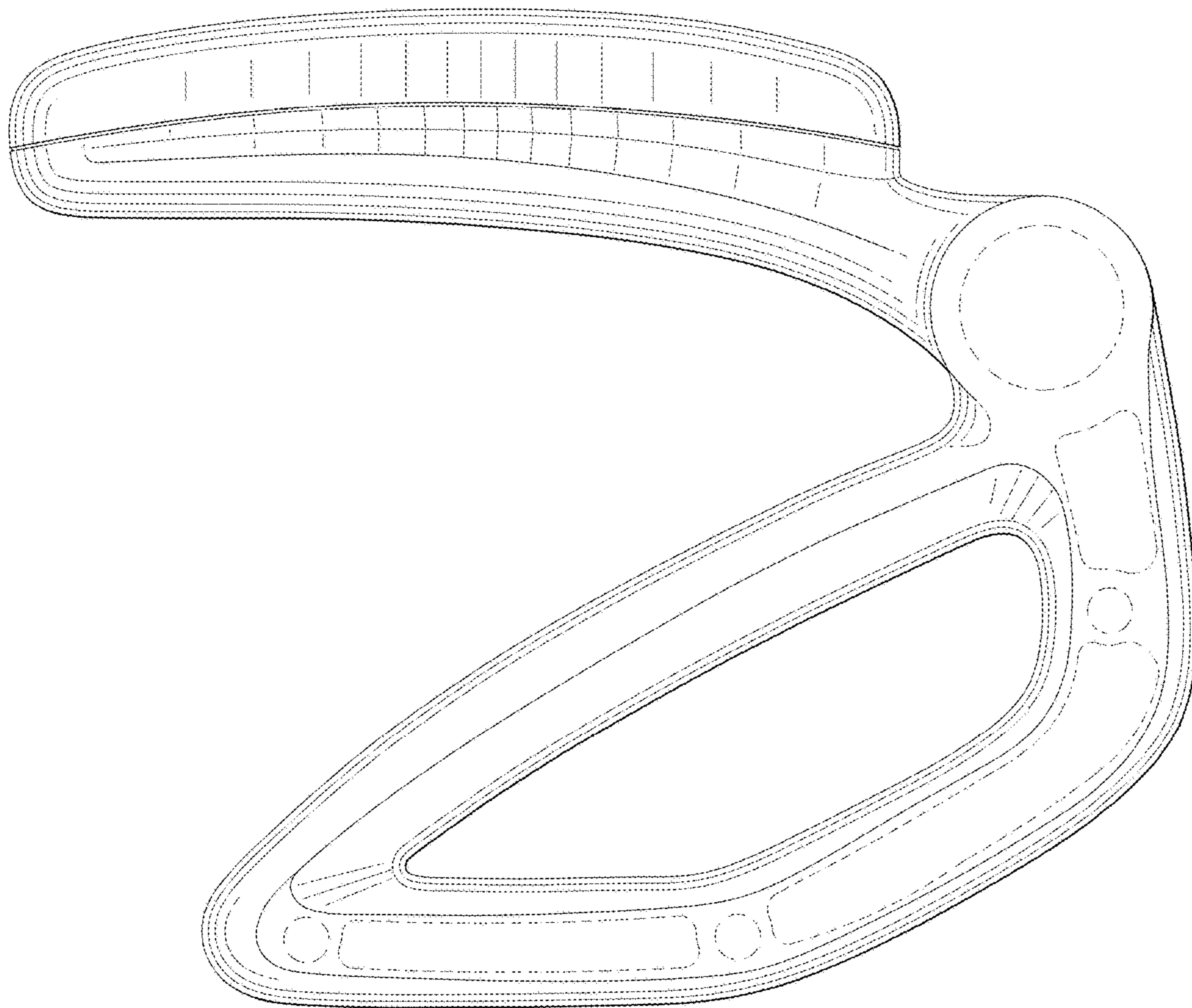


FIG. 4

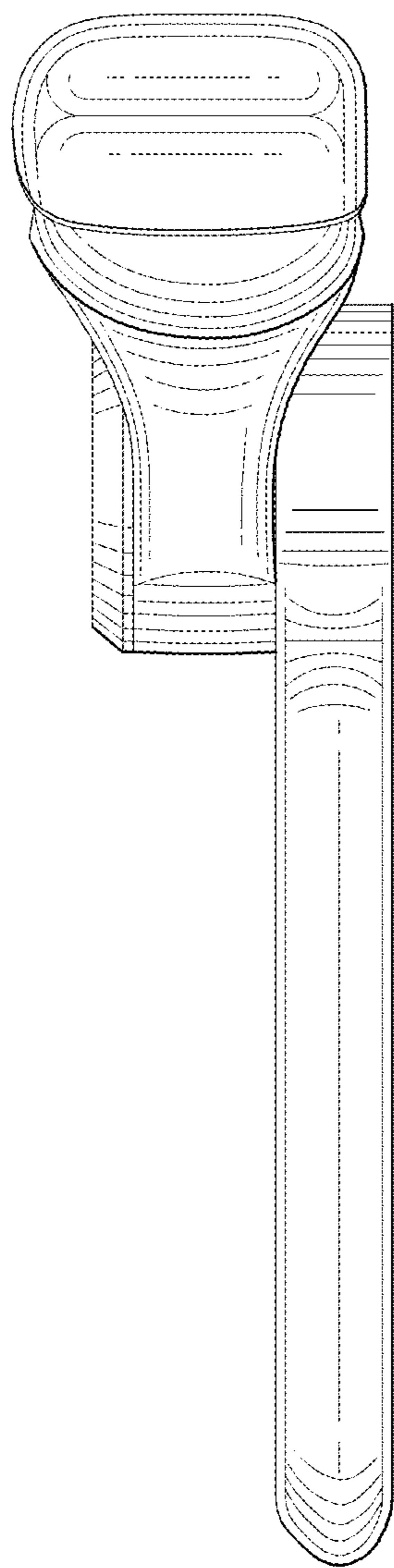


FIG. 5

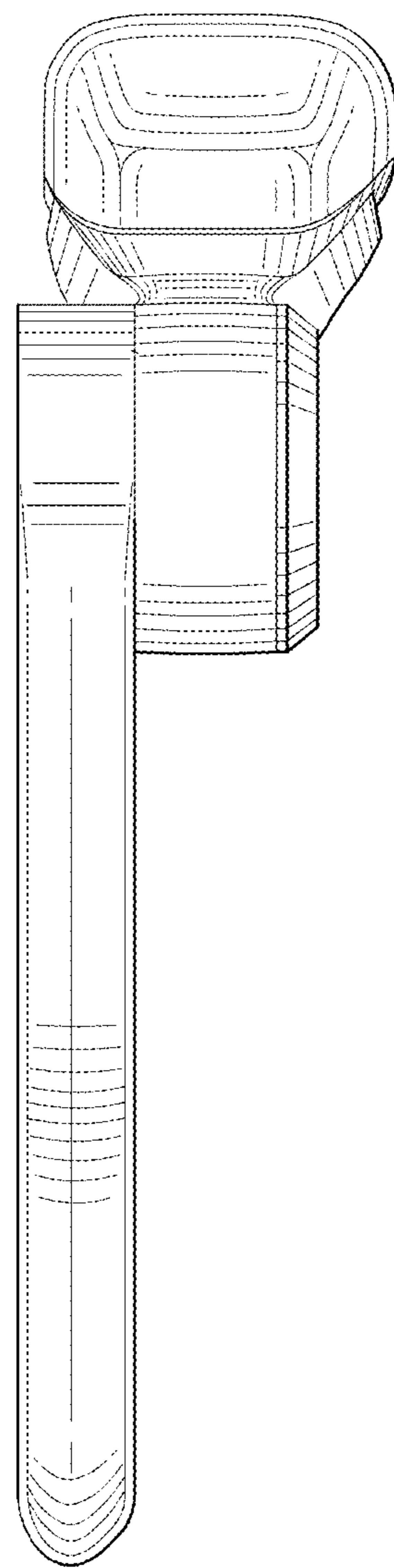


FIG. 6

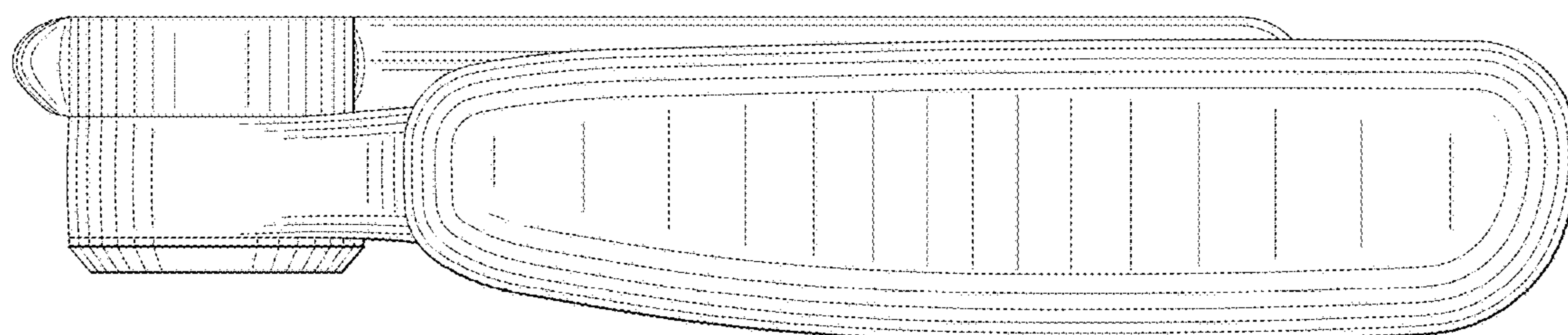


FIG. 7

