



US00D827350S

(12) **United States Design Patent** (10) **Patent No.:** **US D827,350 S**
Young et al. (45) **Date of Patent:** **** *Sep. 4, 2018**

- (54) **TABLE BASE**
- (71) Applicant: **Steelcase Inc.**, Grand Rapids, MI (US)
- (72) Inventors: **Michael Young**, Happy Valley (HK);
John Hamilton, San Rafael, CA (US);
Benjamin McCarthy, Hong Kong (HK)
- (73) Assignee: **Steelcase Inc.**, Grand Rapids, MI (US)
- (*) Notice: This patent is subject to a terminal disclaimer.
- (**) Term: **15 Years**
- (21) Appl. No.: **29/587,697**
- (22) Filed: **Dec. 15, 2016**
- (51) **LOC (11) Cl.** **06-06**
- (52) **U.S. Cl.**
USPC **D6/709; D6/708.16**
- (58) **Field of Classification Search**
USPC D6/352, 368, 685, 689, 691, 691.3,
D6/691.4, 692.3, 692.4, 693.1, 695,
D6/695.2, 695.4, 696.1, 696.3, 697.1,
D6/708.15-708.17, 708.2, 709; D11/4,
D11/131, 152; D26/110, 142; D32/37
CPC ... A47B 13/02; A47B 2200/0011; A47B 7/00;
A47B 13/00; A47B 13/10; A47B 13/12;
A47B 2200/0003
See application file for complete search history.

- D237,929 S 12/1975 Laylon
 - D284,918 S 8/1986 McBride
 - D335,983 S 6/1993 Gutsell
 - D337,906 S 8/1993 Gutsell
 - D354,411 S 1/1995 Berkowitz et al.
- (Continued)

FOREIGN PATENT DOCUMENTS

- CN 201430489792 * 12/2014
- GB 652211 A 4/1951
- GB 766898 A 1/1957

OTHER PUBLICATIONS

Global Glass Table Market 2017—HNI Group, Okamura Corporation, Kimball Office , Herman Miller, Steelcase and Haworth. Online , published date unknown. Retrieved on Oct. 17, 2017 from URL: http://investdailynews.com/global-glass-table-market-2017-hni-group-okamura-corporation-kimball-office-herman-miller-steelcase-ha.*

(Continued)

Primary Examiner — Vy N Koenig
Assistant Examiner — Omeed Agilee

(57) **CLAIM**

We claim the ornamental design for a table base, as shown and described.

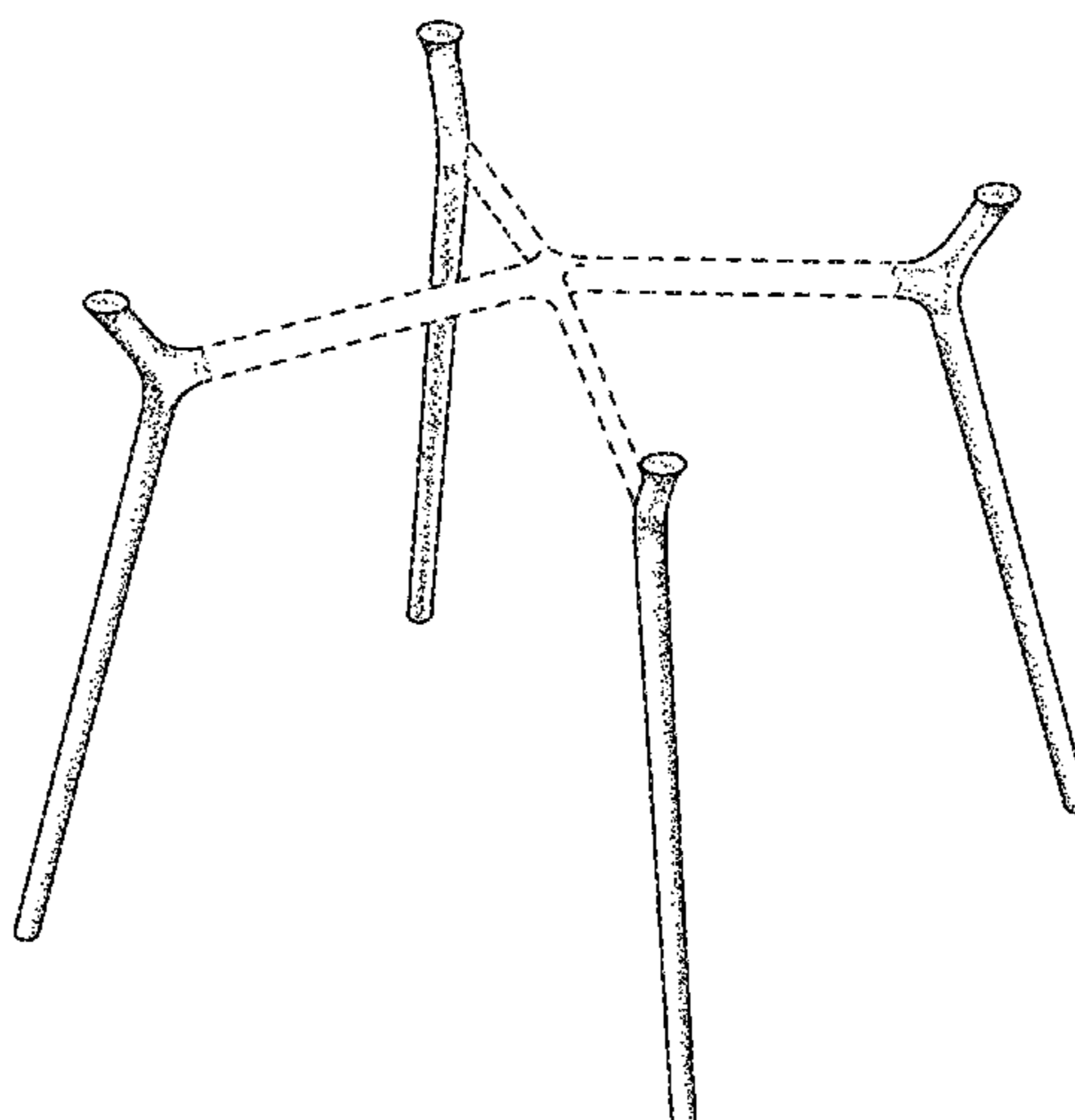
DESCRIPTION

FIG. 1 is a front and top perspective view of a table base, according to our new design;
FIG. 2 is a rear and bottom perspective of a table base of FIG. 1;
FIG. 3 is a right side view of a table base of FIG. 1, the left side view is a mirror image of the right side view of FIG. 3;
FIG. 4 is a top view of a table base of FIG. 1; and,
FIG. 5 is a bottom view of a table base of FIG. 1.
The dashed lines are for purposes of illustrating environmental structure and form no part of the claimed design.

1 Claim, 5 Drawing Sheets

(56) **References Cited**
U.S. PATENT DOCUMENTS

- 1,067,223 A 7/1913 Kjelsoe
- 1,652,942 A 12/1927 Edwin
- 2,010,342 A 6/1935 Woods
- 2,591,797 A * 4/1952 Exline A47B 3/12
108/115
- D183,441 S * 8/1958 Williams D6/709
- 2,954,953 A 10/1960 Mallet-Prevost, Jr.
- D200,713 S 3/1965 Pearsall



(56)

References Cited

U.S. PATENT DOCUMENTS

D358,078 S 5/1995 Klein
 D384,530 S 10/1997 Mezger
 D388,312 S 12/1997 Sorkin
 D438,410 S 3/2001 Mancini
 D452,784 S 1/2002 Lewis
 D453,642 S 2/2002 Mascheroni
 D495,504 S * 9/2004 Sorkin D6/349
 D497,055 S 10/2004 Sorkin
 D504,805 S 5/2005 Sorkin
 D533,374 S 12/2006 Trott
 D560,082 S * 1/2008 Theemann D6/692.6
 D562,036 S 2/2008 Roberts
 D575,084 S 8/2008 Jehs et al.
 D588,845 S 3/2009 Lovegrove
 D588,847 S 3/2009 Lovegrove
 D599,142 S 9/2009 Lovegrove
 D600,476 S 9/2009 Stoller
 D652,656 S 1/2012 McCurry
 D653,060 S 1/2012 McCurry
 D661,127 S * 6/2012 Arko D6/691
 D668,084 S 10/2012 Lehman-Smith
 D683,556 S 6/2013 Stromborg
 D685,216 S * 7/2013 Stromborg D6/708
 D693,613 S 11/2013 Polidoros
 D696,542 S * 12/2013 Stromborg D6/708
 D703,473 S 4/2014 Polidoros

D743,723 S * 11/2015 Sweetland D6/708
 D744,266 S * 12/2015 Polidoros D6/708.16
 D744,267 S * 12/2015 Polidoros D6/708.16
 D751,328 S * 3/2016 Zdanius D6/708
 D764,848 S * 8/2016 Gill D6/708
 D772,622 S * 11/2016 Young D6/691
 D779,246 S * 2/2017 Young D6/708.16

OTHER PUBLICATIONS

Clarus. Online, published date unknown. Retrieved on Oct. 27, 2017 from URL: https://www.article.com/product/1681/clarus-walnut-coffee-table?forceCurrencyId=1&gclid=EAlalQobChMIg6XWmbuR1wIVyVmGCh23QgErEAQYAiABEgLI3KfD_BwE#.*

Glass Top Dining Table With Spider Legs. Online, published date Jun. 23, 2011. Retrieved on Oct. 27, 2017 from URL: <https://www.digsdigs.com/glass-top-dining-table-with-spider-legs/>.*

PDF Spyder Tables by Phil Frank. Downloaded on Sep. 27, 2016 at <http://www.outofaces.com/pfd-spyder-table/> (2 pages).

Ferrari, Porsche Design, Phil Frank, and More—Premier Collection. Downloaded on Sep. 27, 2016 at <http://www.superstreetonline.com/how-to/aftermarket-parts/epcp-1105-ferrari-porsche-design-phil-frank-premiere-collection/> (4 pages).

PDF Carbon Fiber Spyder Tables. Downloaded on Sep. 27, 2016 at <http://phil-frank.com/pfd-carbon-fiber-spyder-tables> (5 pages).

* cited by examiner

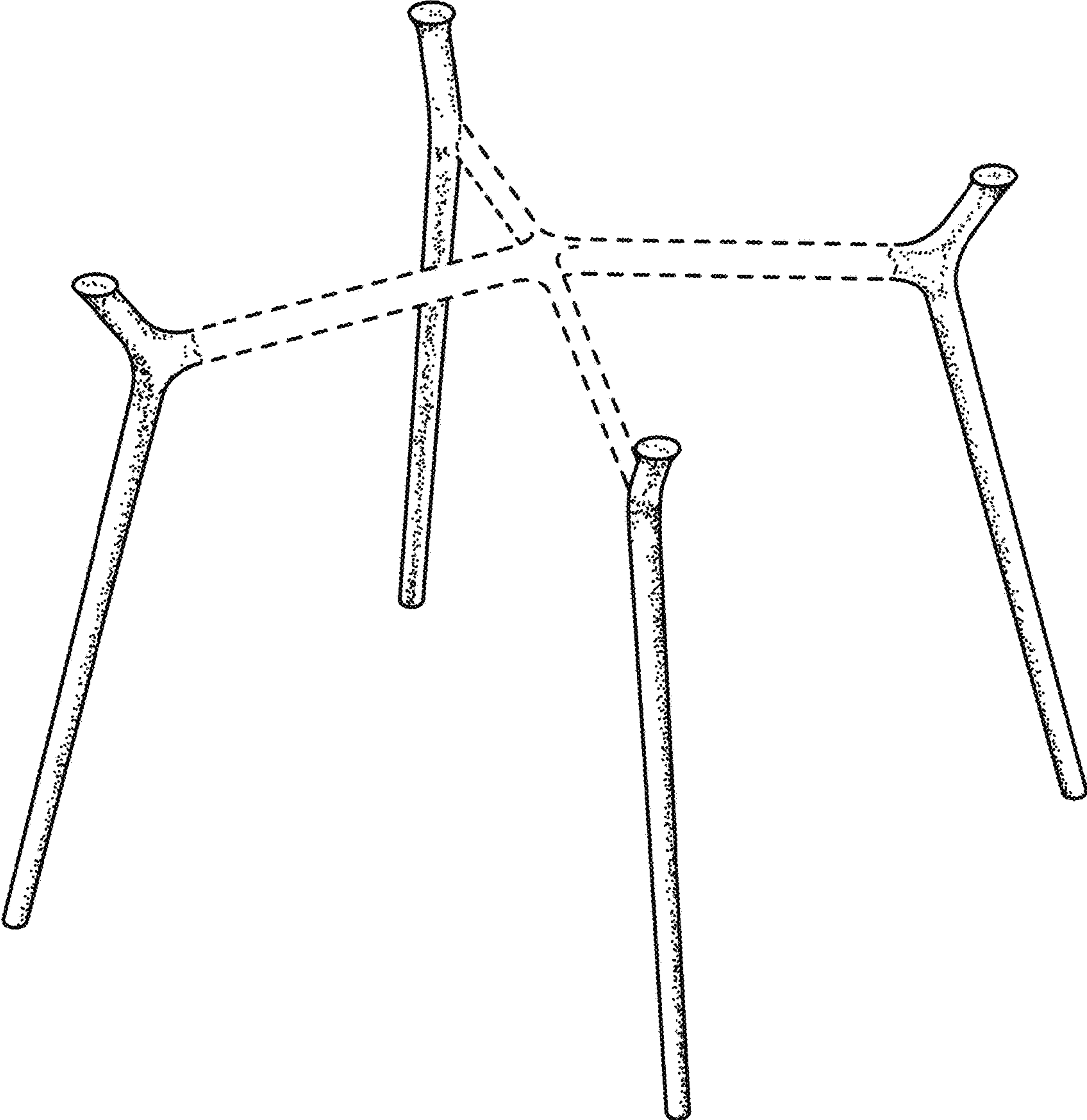


FIG. 1

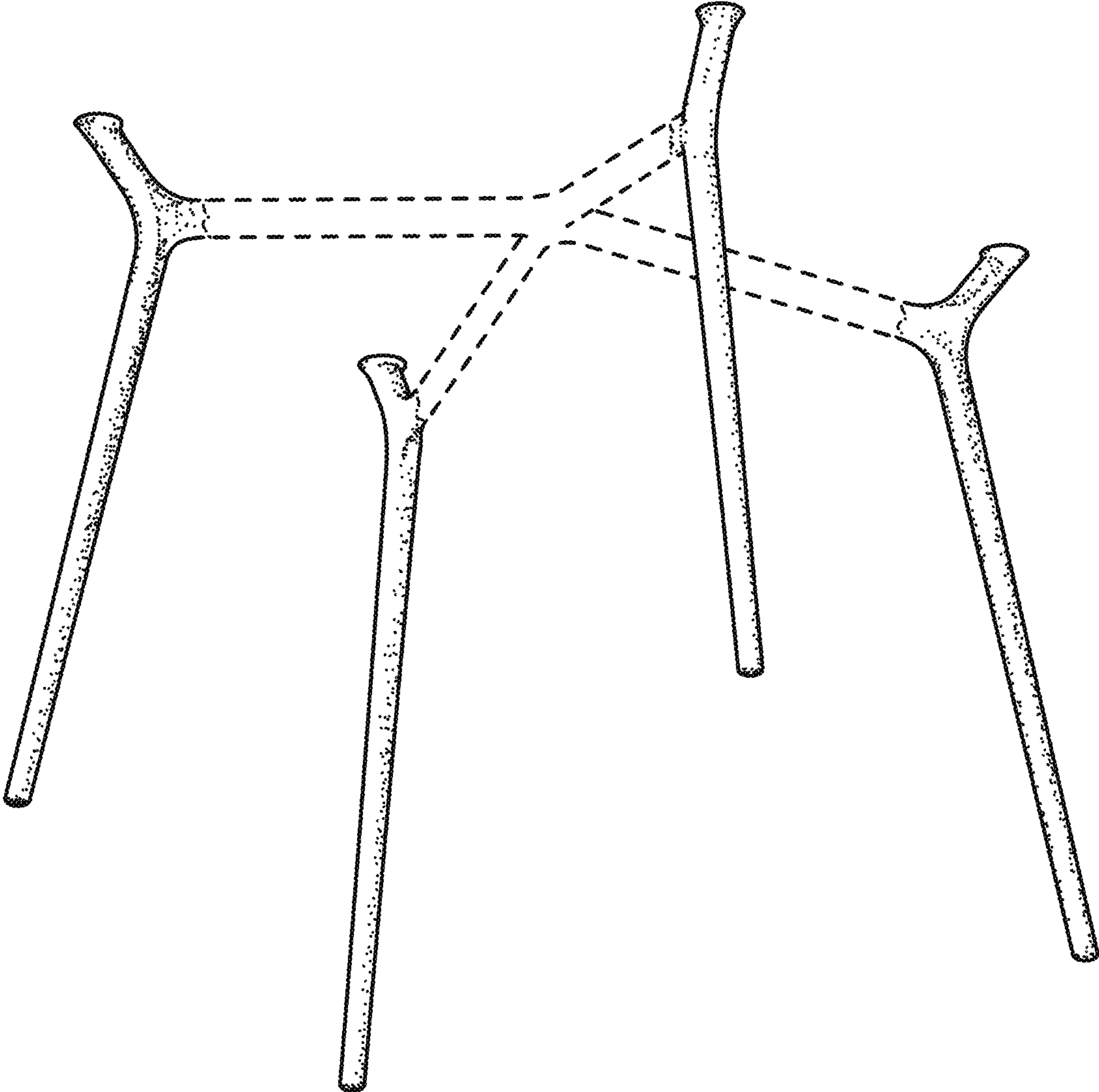


FIG. 2

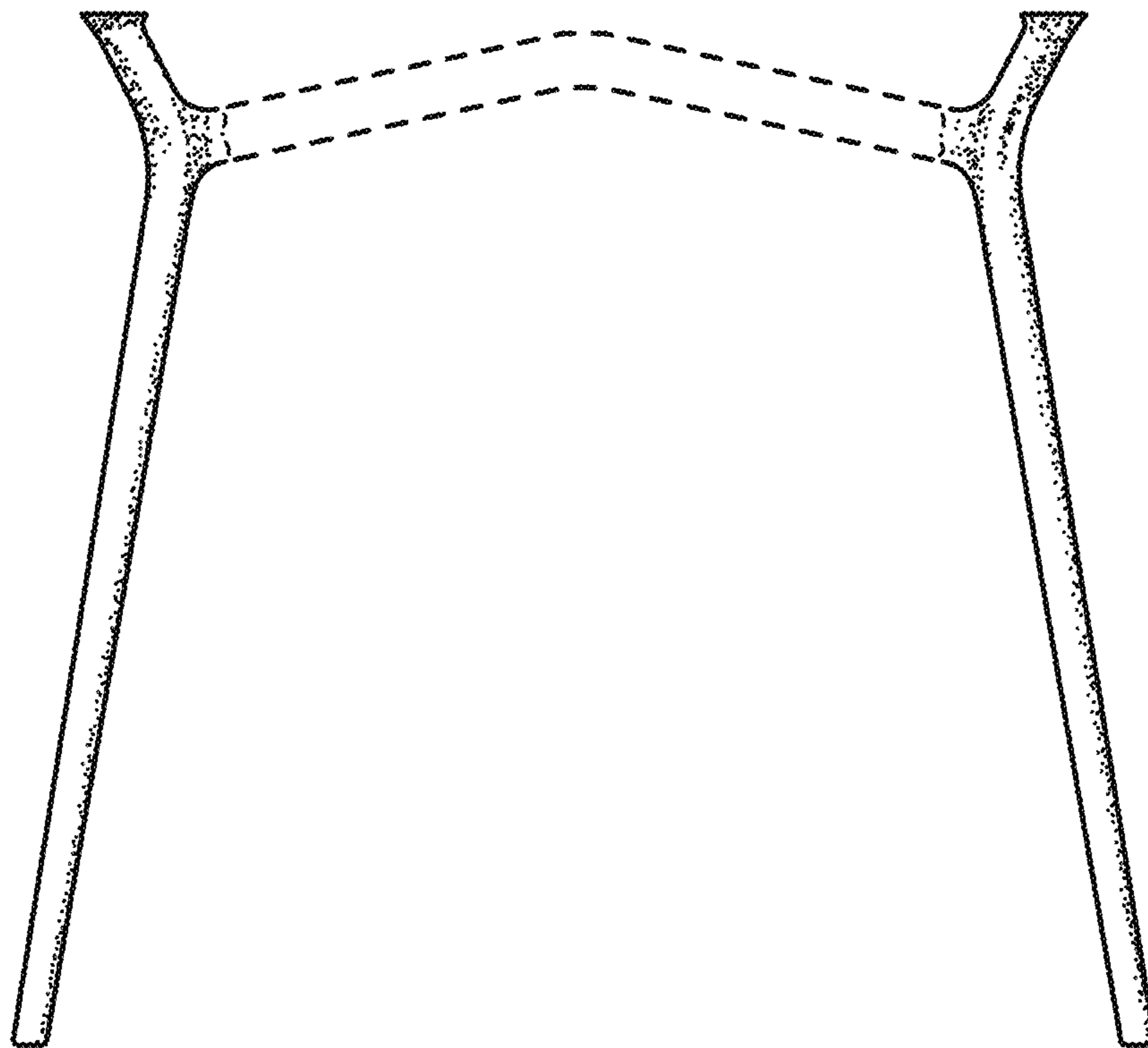


FIG. 3

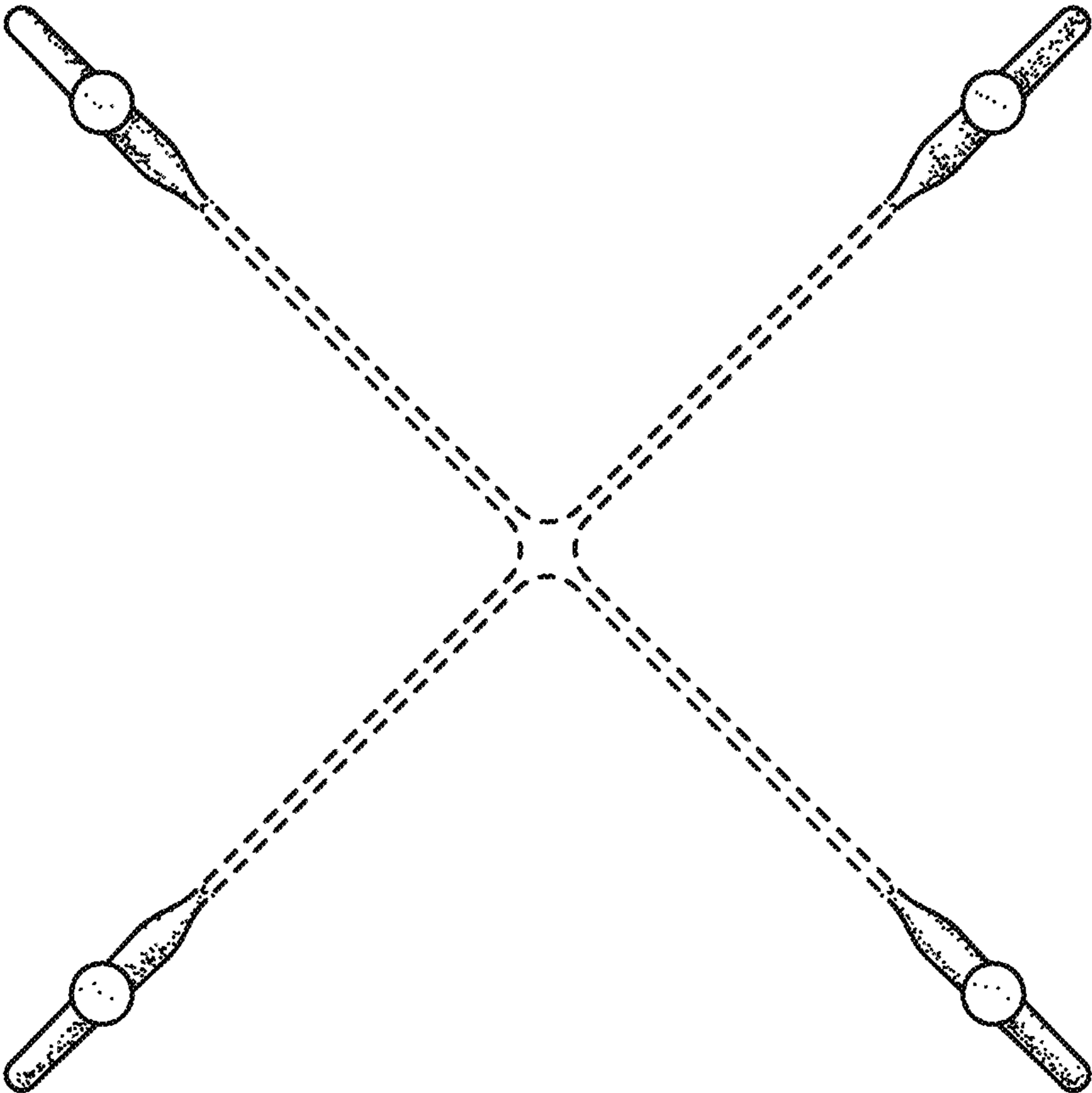


FIG. 4

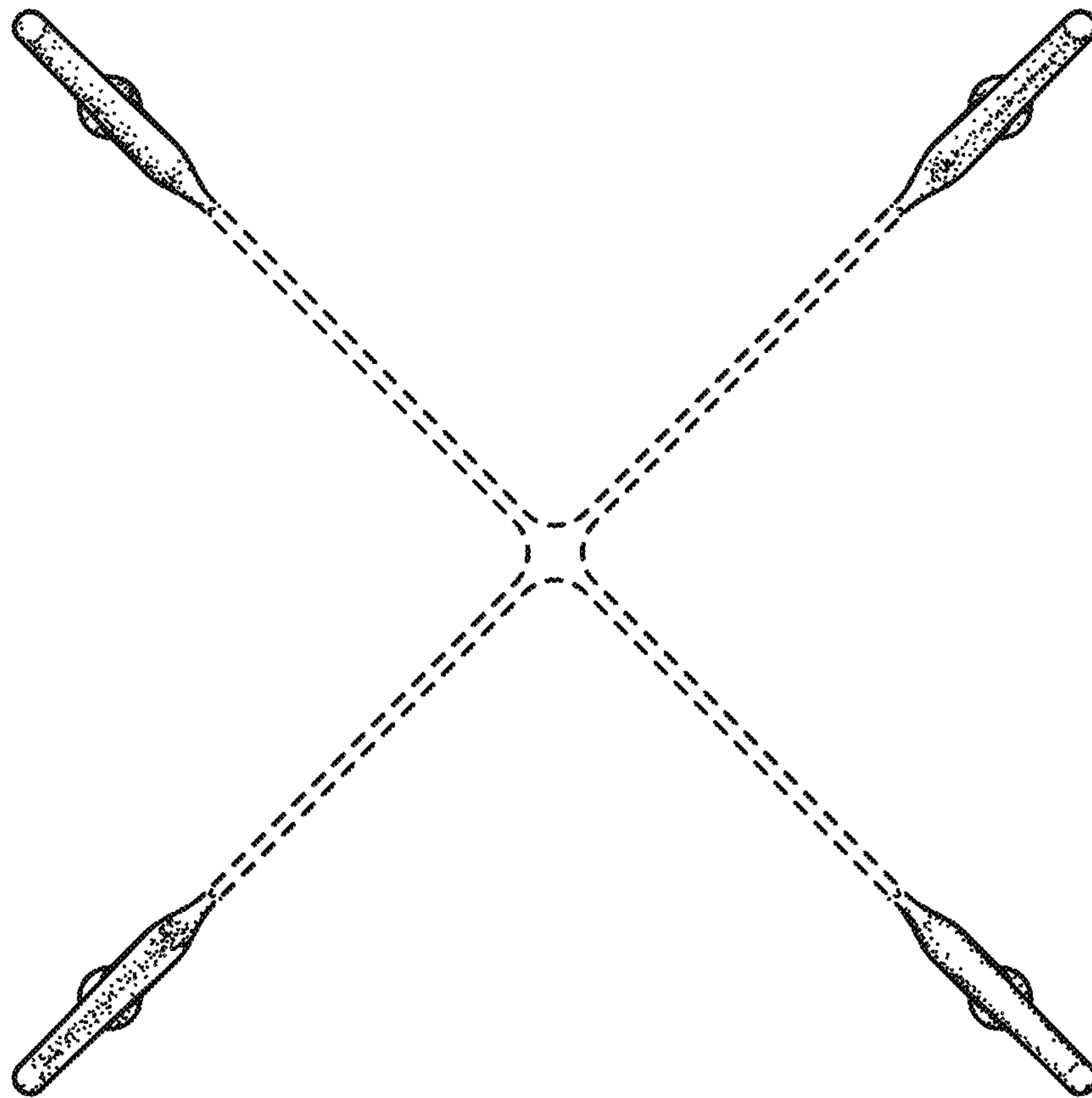


FIG. 5