



US00D827349S

(12) **United States Design Patent**
Lin

(10) **Patent No.:** **US D827,349 S**

(45) **Date of Patent:** **** Sep. 4, 2018**

(54) **CHAIR BASE**

(71) Applicant: **Chang-Chen Lin**, Tainan (TW)

(72) Inventor: **Chang-Chen Lin**, Tainan (TW)

(**) Term: **15 Years**

(21) Appl. No.: **29/615,758**

(22) Filed: **Aug. 31, 2017**

(51) **LOC (11) Cl.** **06-01**

(52) **U.S. Cl.**
USPC **D6/708**

(58) **Field of Classification Search**
USPC D6/334-336, 364, 365, 371, 373, 375,
D6/379, 380, 708, 708.2, 716, 716.1,
D6/716.2, 716.3, 716.4
CPC .. A47C 4/028; A47C 5/06; A47C 7/16; A47C
7/18; A47C 7/24
See application file for complete search history.

(56) **References Cited**

U.S. PATENT DOCUMENTS

D364,283 S * 11/1995 Zaidman D6/365
D406,971 S * 3/1999 McDiarmid D6/708

D419,005 S * 1/2000 McDiarmid D6/708
D447,365 S * 9/2001 Chi D6/708
D459,917 S * 7/2002 Hankins D6/708
D545,596 S * 7/2007 Lin D6/708
D624,766 S * 10/2010 Brunstad D6/708
D646,497 S * 10/2011 Overthun D6/375
D688,074 S * 8/2013 Lin D6/708.2

* cited by examiner

Primary Examiner — Mimosa De

(74) *Attorney, Agent, or Firm* — Alan D. Kamrath;
Kamrath IP Lawfirm, P.A.

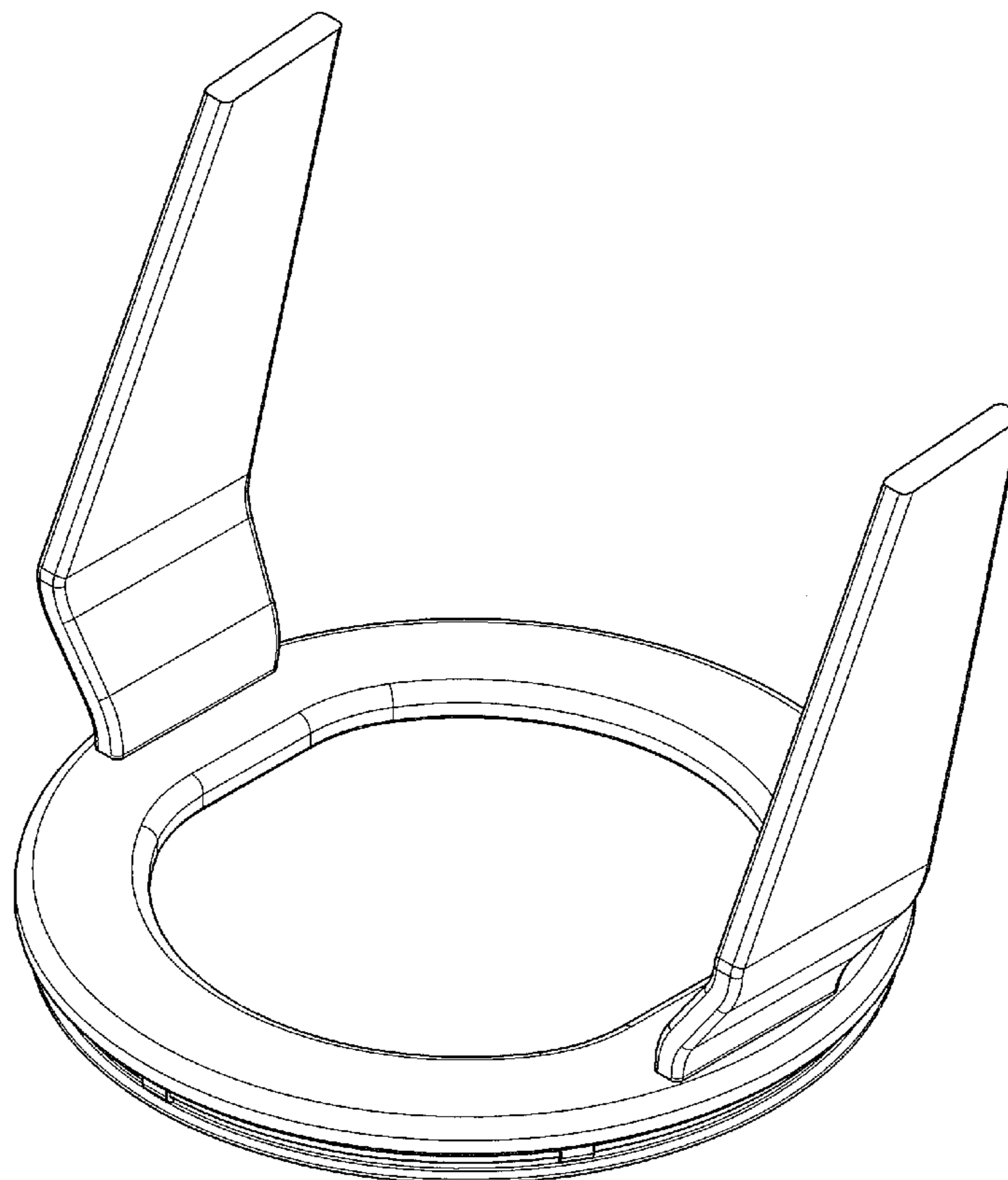
(57) **CLAIM**

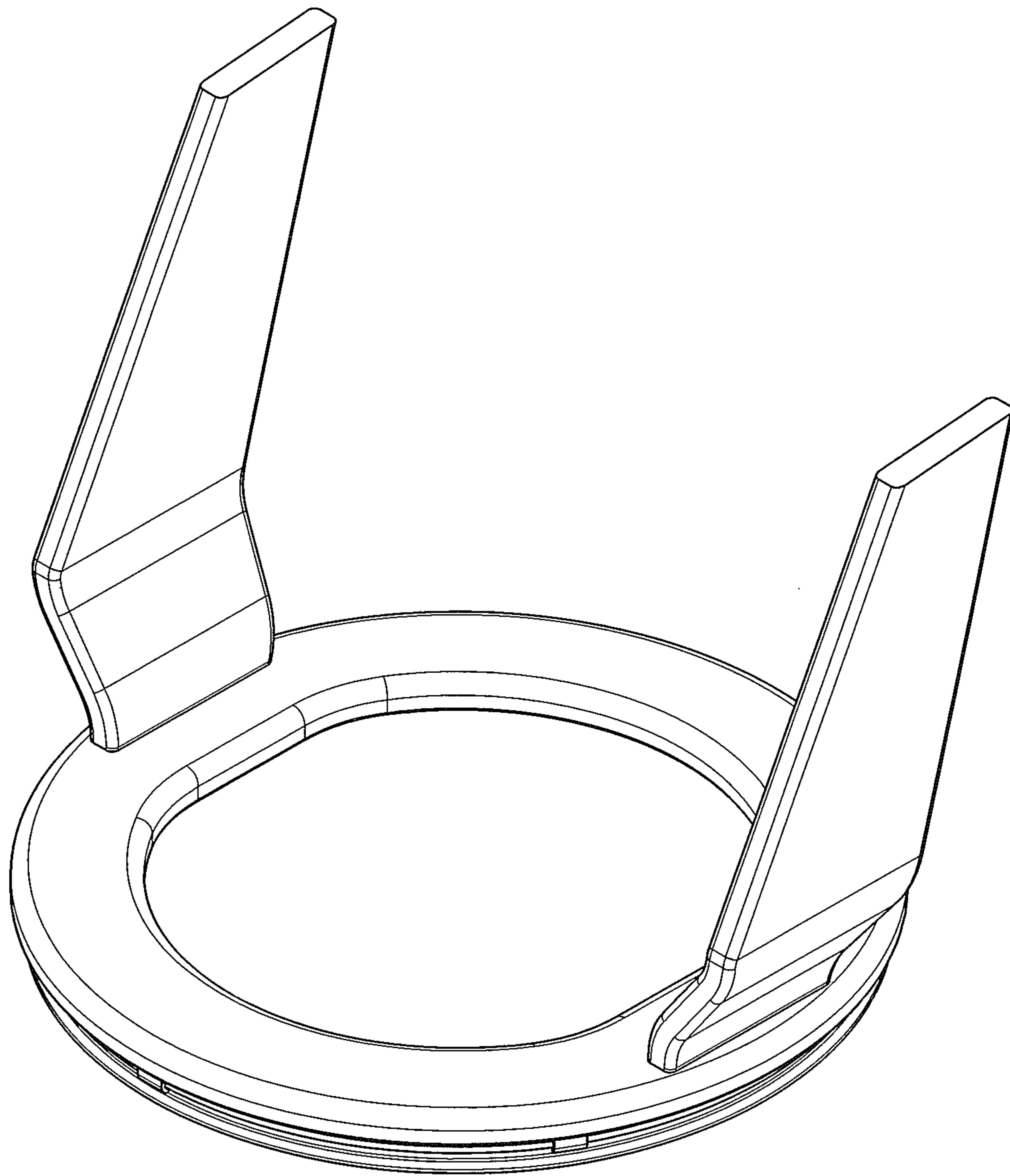
The ornamental design for a chair base, as shown and described.

DESCRIPTION

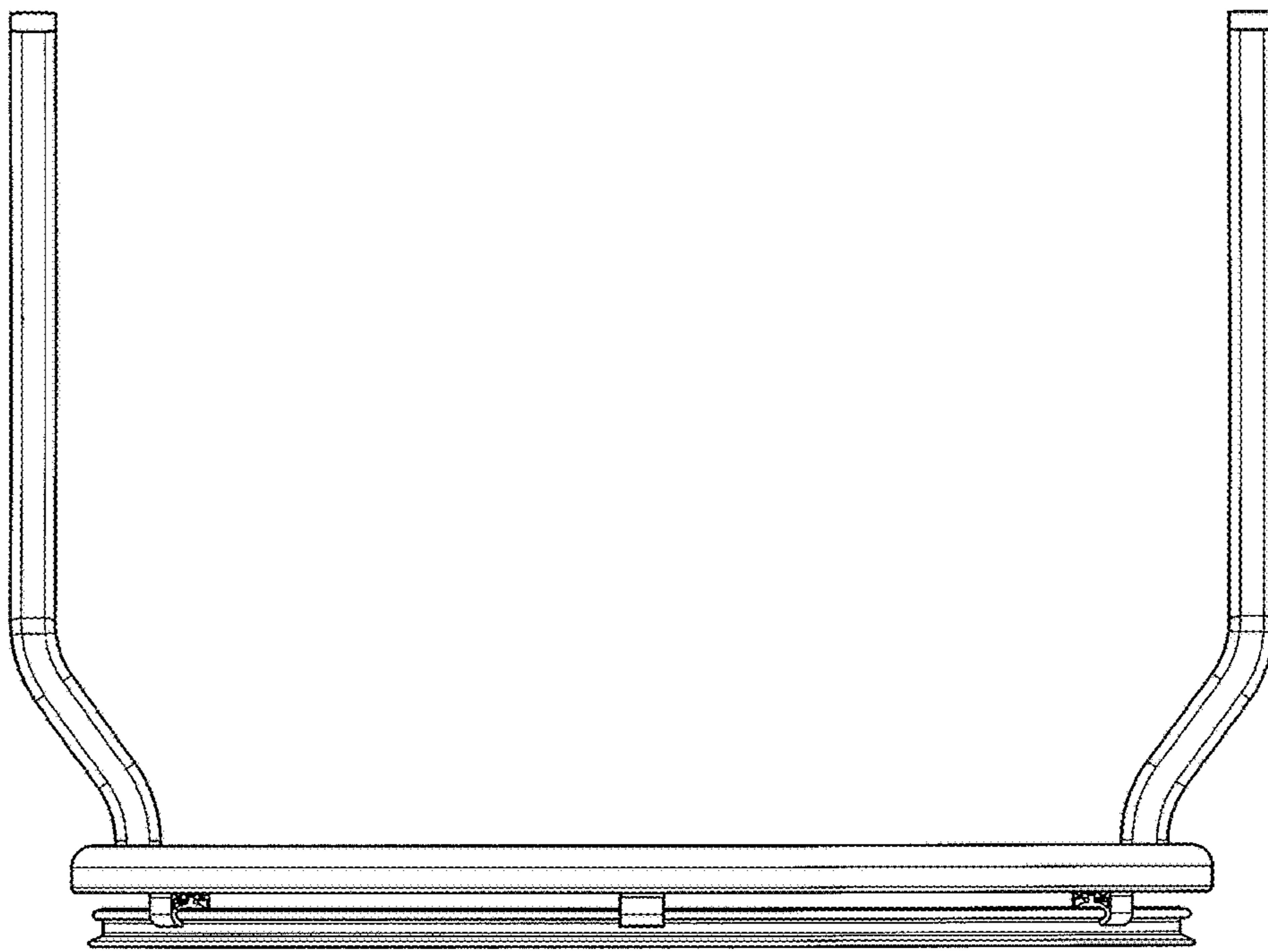
FIG. 1 is a perspective view of the chair base showing my new design;
FIG. 2 is a front elevation view thereof;
FIG. 3 is a rear elevation view thereof;
FIG. 4 is a left side elevation view thereof;
FIG. 5 is a right side elevation view thereof;
FIG. 6 is a top plan view thereof; and,
FIG. 7 is a bottom plan view thereof.

1 Claim, 7 Drawing Sheets

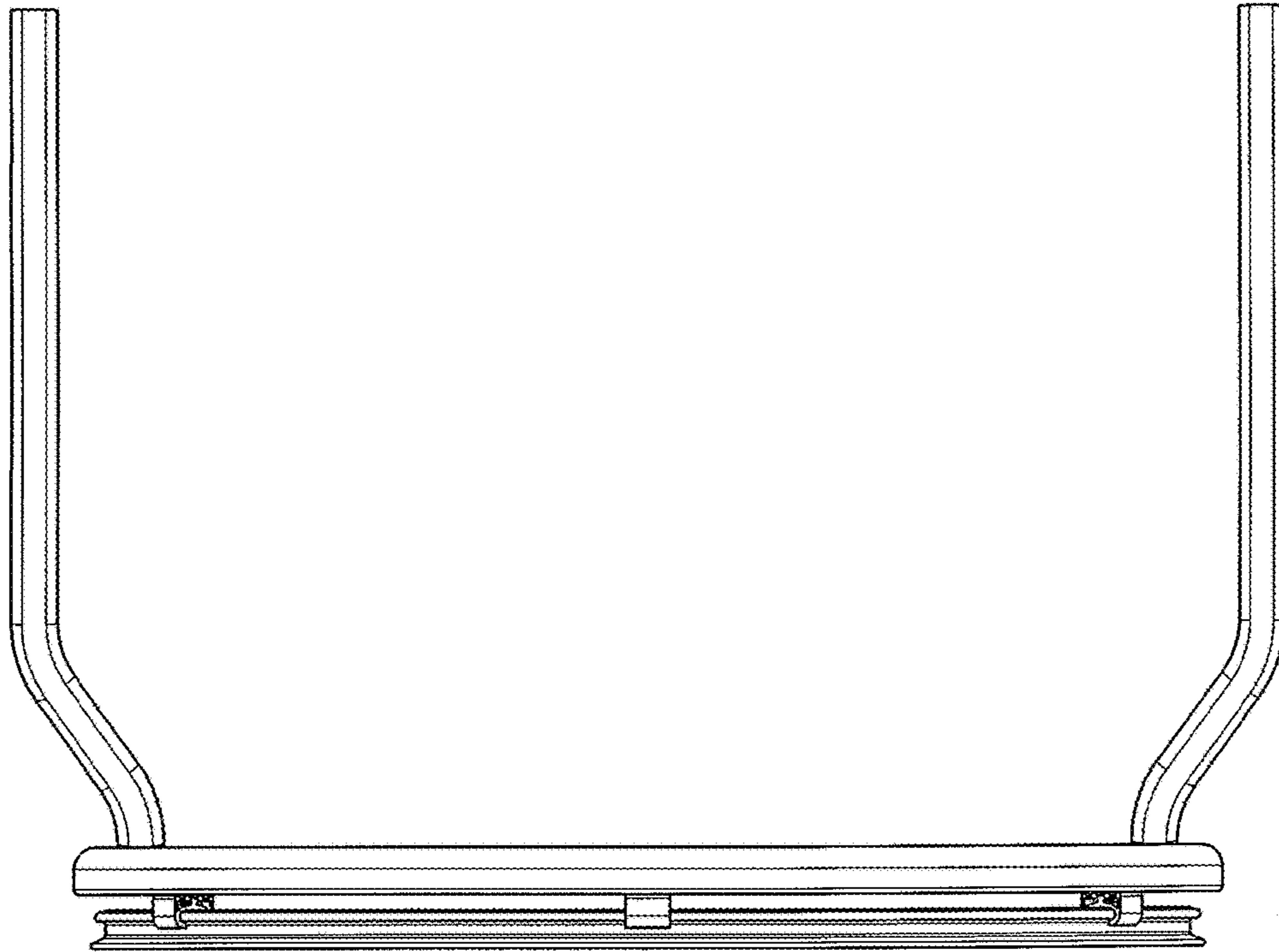




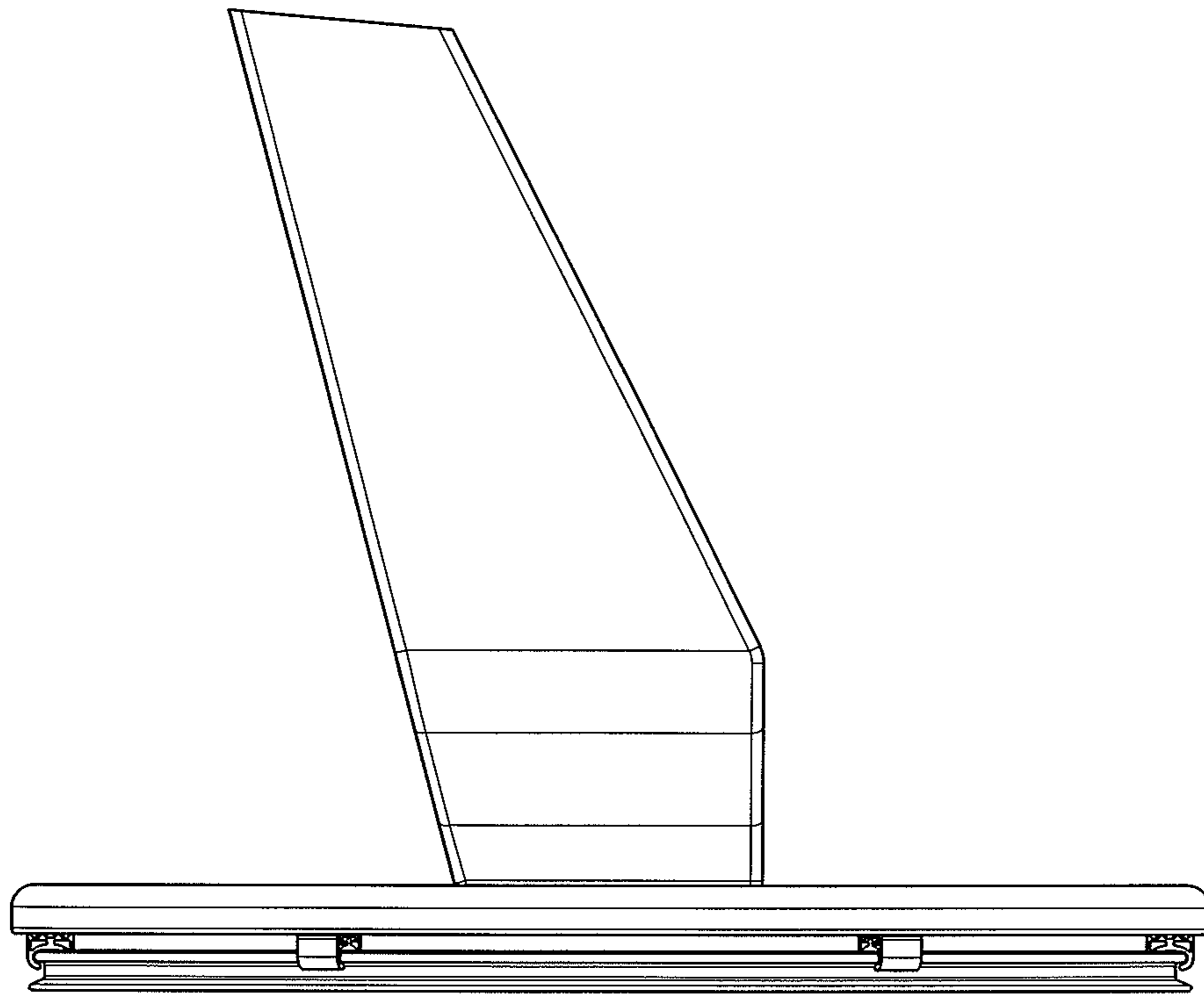
F I G . 1



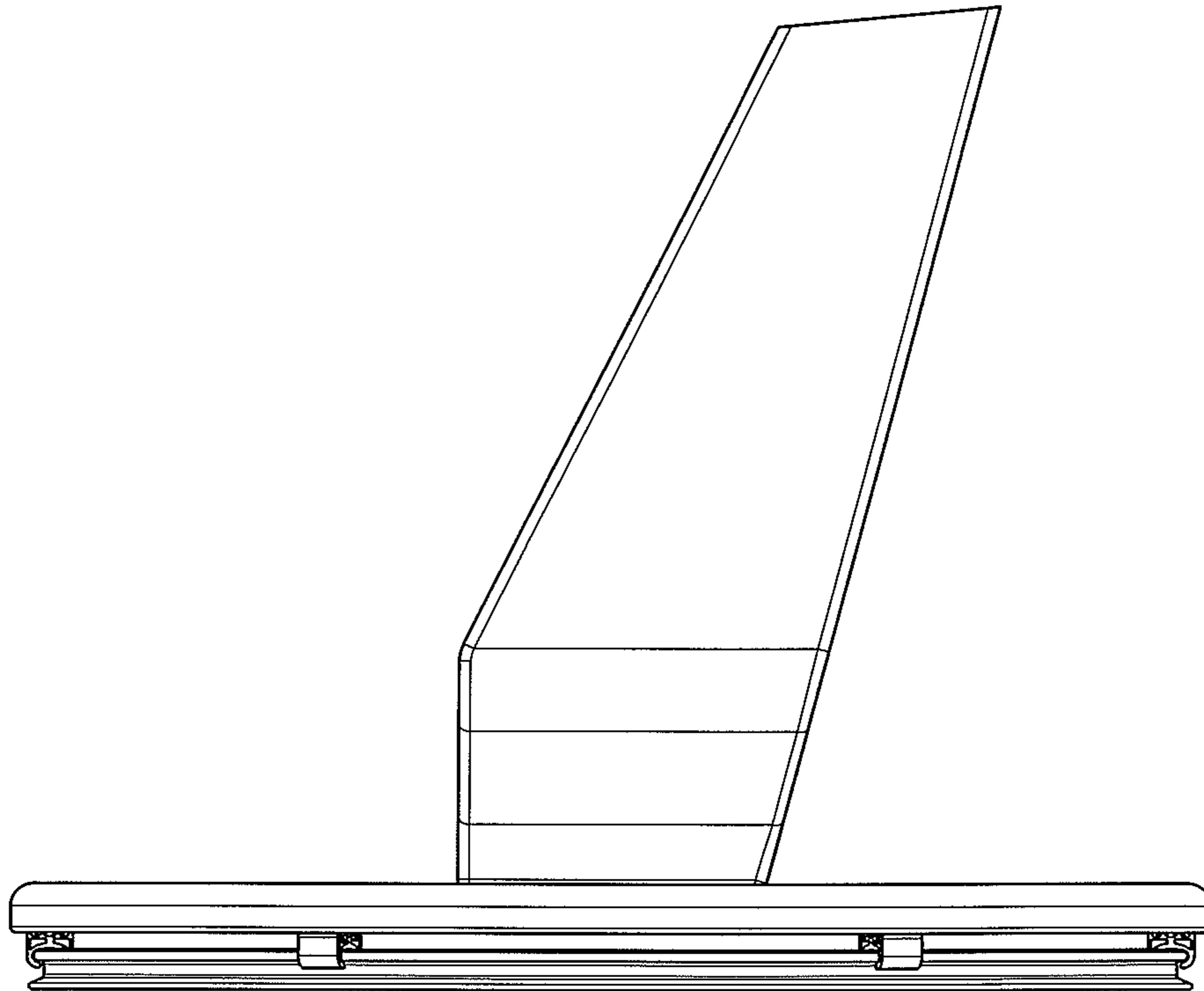
F I G . 2



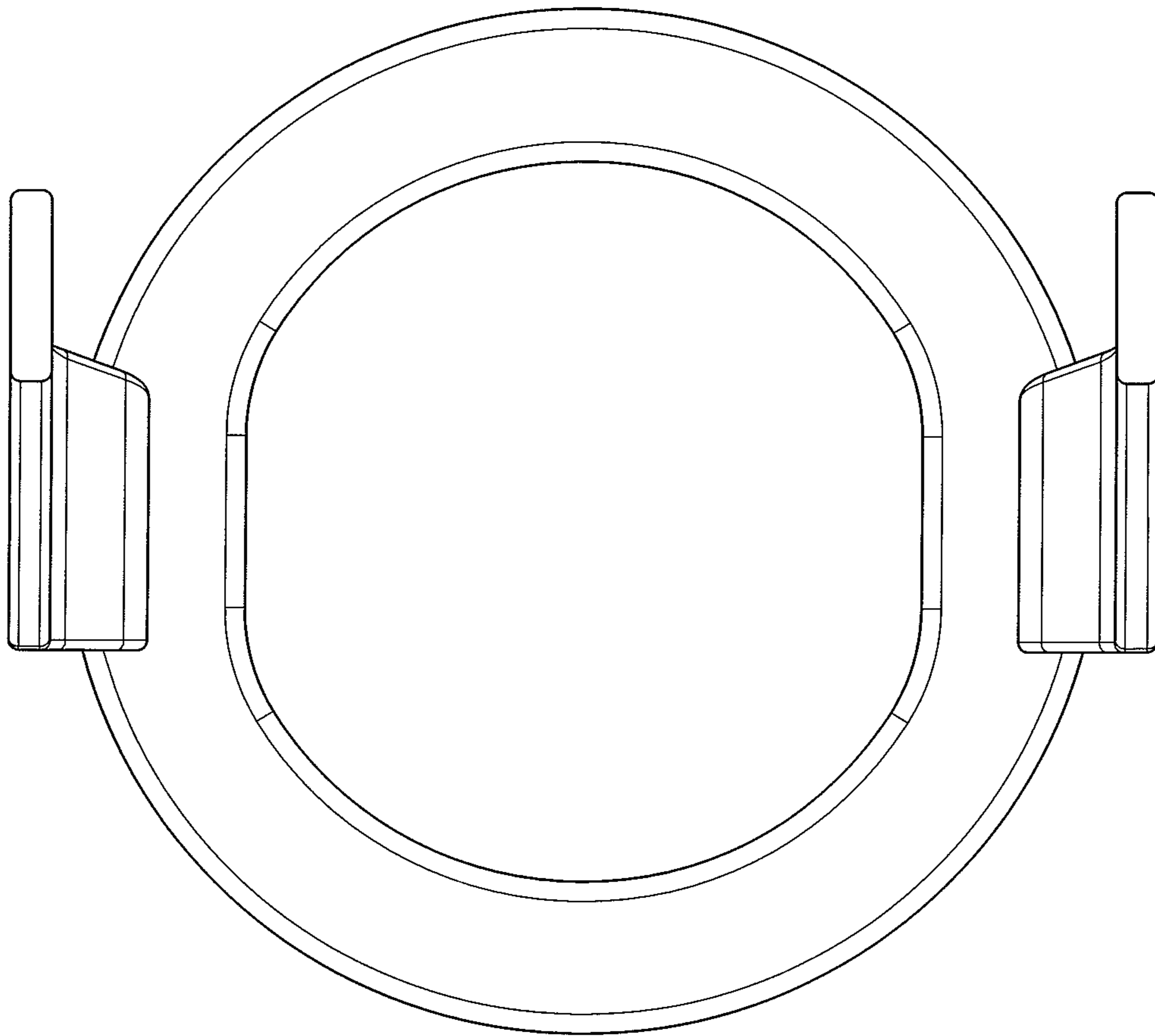
F I G . 3



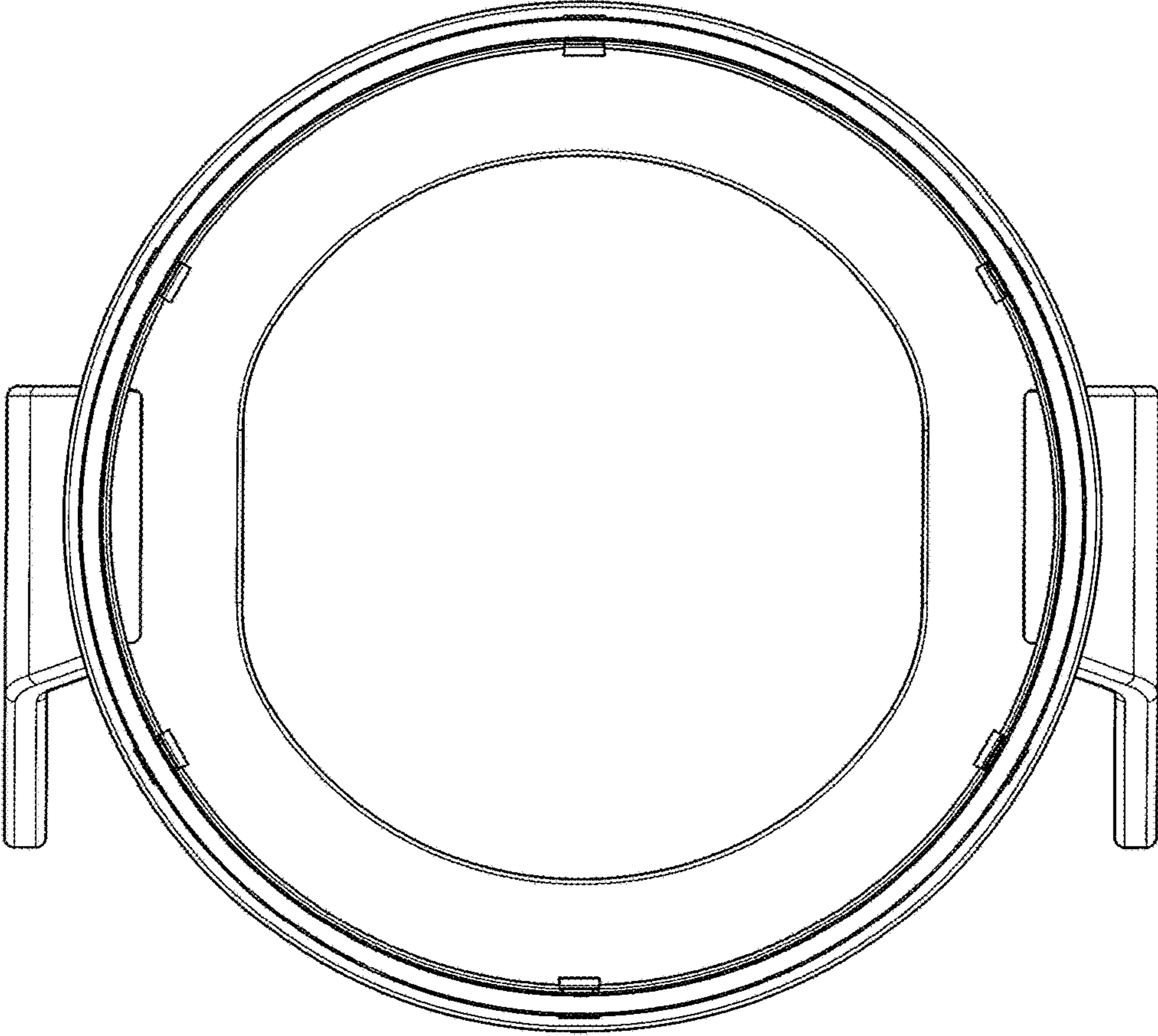
F I G . 4



F I G . 5



F I G . 6



F I G . 7