



US00D827348S

(12) **United States Design Patent** (10) **Patent No.:** **US D827,348 S**  
**Chang** (45) **Date of Patent:** **\*\* Sep. 4, 2018**

(54) **TOOL CART**  
(71) Applicant: **Ting-Yu Chang**, Taichung (TW)  
(72) Inventor: **Ting-Yu Chang**, Taichung (TW)  
(\*\*) Term: **15 Years**  
(21) Appl. No.: **29/613,266**  
(22) Filed: **Aug. 9, 2017**  
(51) **LOC (11) Cl.** ..... **06-06**  
(52) **U.S. Cl.**  
USPC ..... **D6/705.5**  
(58) **Field of Classification Search**  
USPC .... D6/671.1, 705.5; D3/905, 279, 296, 297;  
D34/17, 25; 211/70.6, 85.5; 280/651,  
280/47.34, 47.35, 47.19, 47.17, 79.2  
CPC ..... B62B 1/12; B62B 3/02; B62B 5/0438;  
B62B 3/0606; B25H 3/00; B25H 5/00;  
B25H 1/12  
See application file for complete search history.

8,851,585 B2 \* 10/2014 Chang ..... B25H 3/02  
312/263  
D812,374 S \* 3/2018 Tilk ..... D3/273  
2016/0128471 A1 \* 5/2016 Chang ..... A47B 88/047  
312/249.11

\* cited by examiner

*Primary Examiner* — Cynthia Ramirez  
*Assistant Examiner* — Gino Colan  
(74) *Attorney, Agent, or Firm* — Alan D. Kamrath;  
Kamrath IP Lawfirm, P.A.

(57) **CLAIM**

The ornamental design for a tool cart, as shown and described.

**DESCRIPTION**

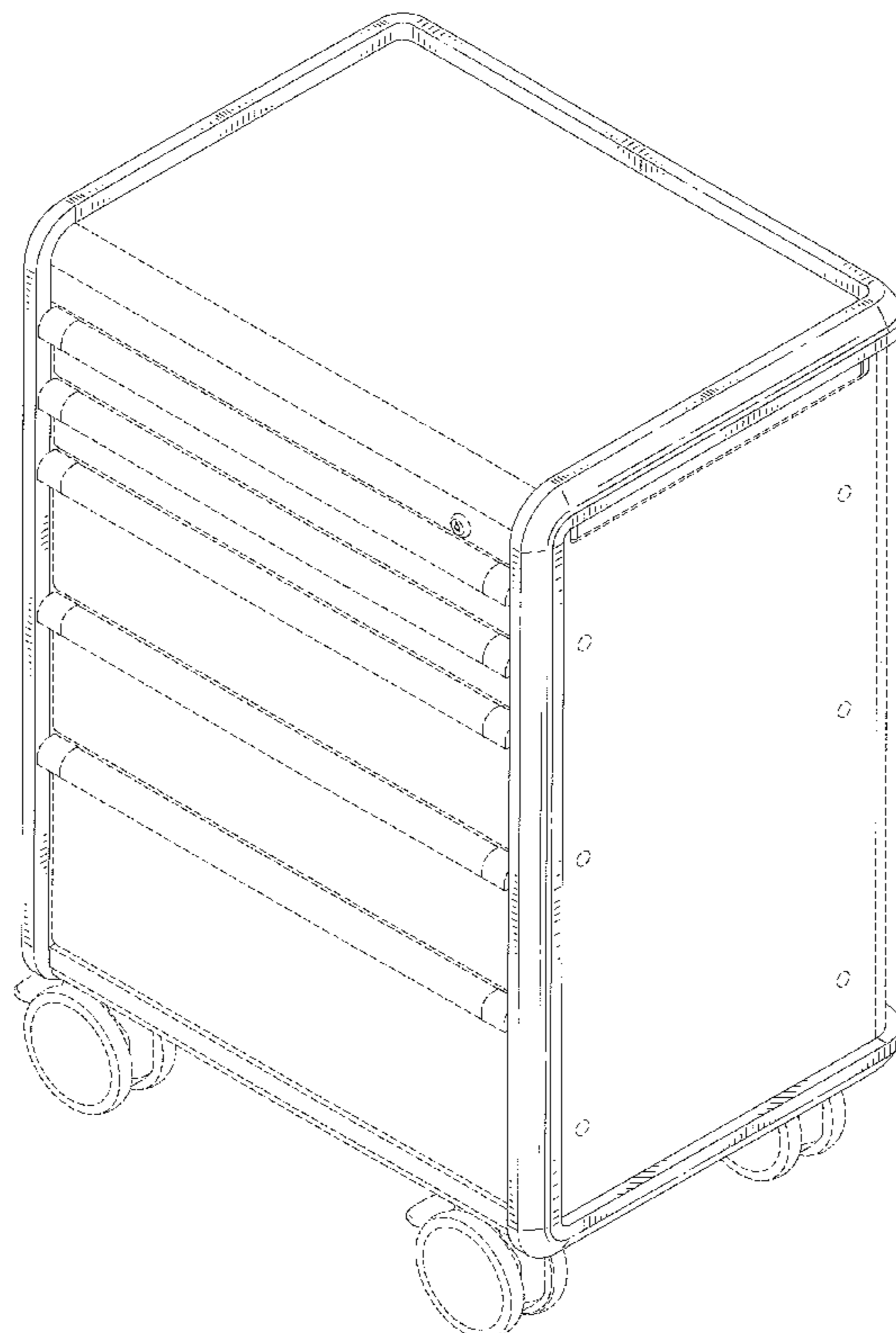
FIG. 1 is a perspective view of a tool cart showing my new design;  
FIG. 2 is another perspective view thereof;  
FIG. 3 is a front view thereof;  
FIG. 4 is a rear view thereof;  
FIG. 5 is a left view thereof;  
FIG. 6 is a right view thereof;  
FIG. 7 is a top view thereof; and,  
FIG. 8 is a bottom view.  
The broken lines depict portions of the tool cart in which the design is embodied that are not considered part of the claimed design.

(56) **References Cited**

U.S. PATENT DOCUMENTS

D544,259 S \* 6/2007 Schmidt ..... D6/705.5  
D605,437 S \* 12/2009 Hand ..... D3/297  
D605,438 S \* 12/2009 Hand ..... D3/297  
D609,029 S \* 2/2010 Hand ..... D3/297  
8,157,337 B2 \* 4/2012 Manalang ..... B25H 3/06  
211/70.6

**1 Claim, 8 Drawing Sheets**



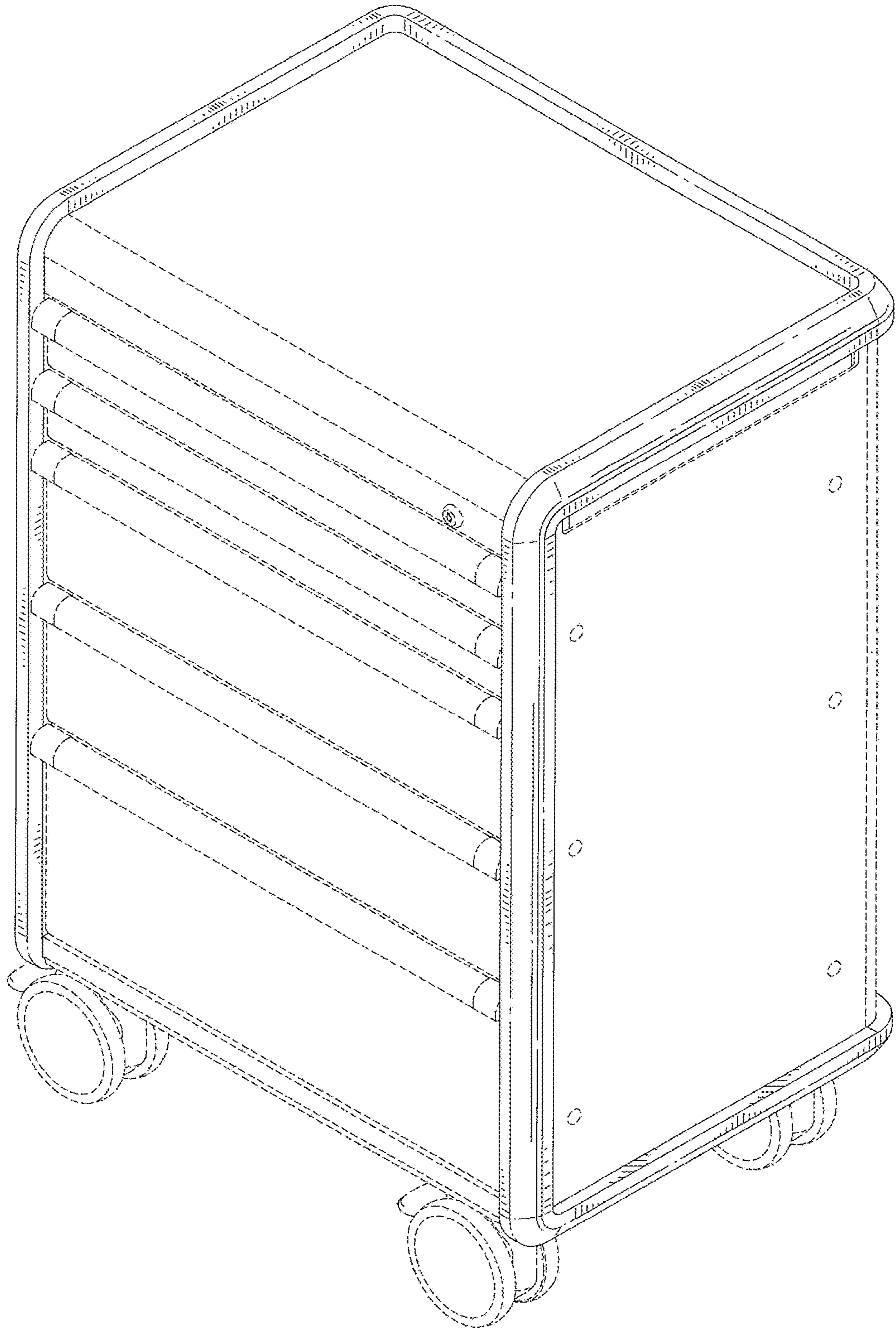


FIG.1

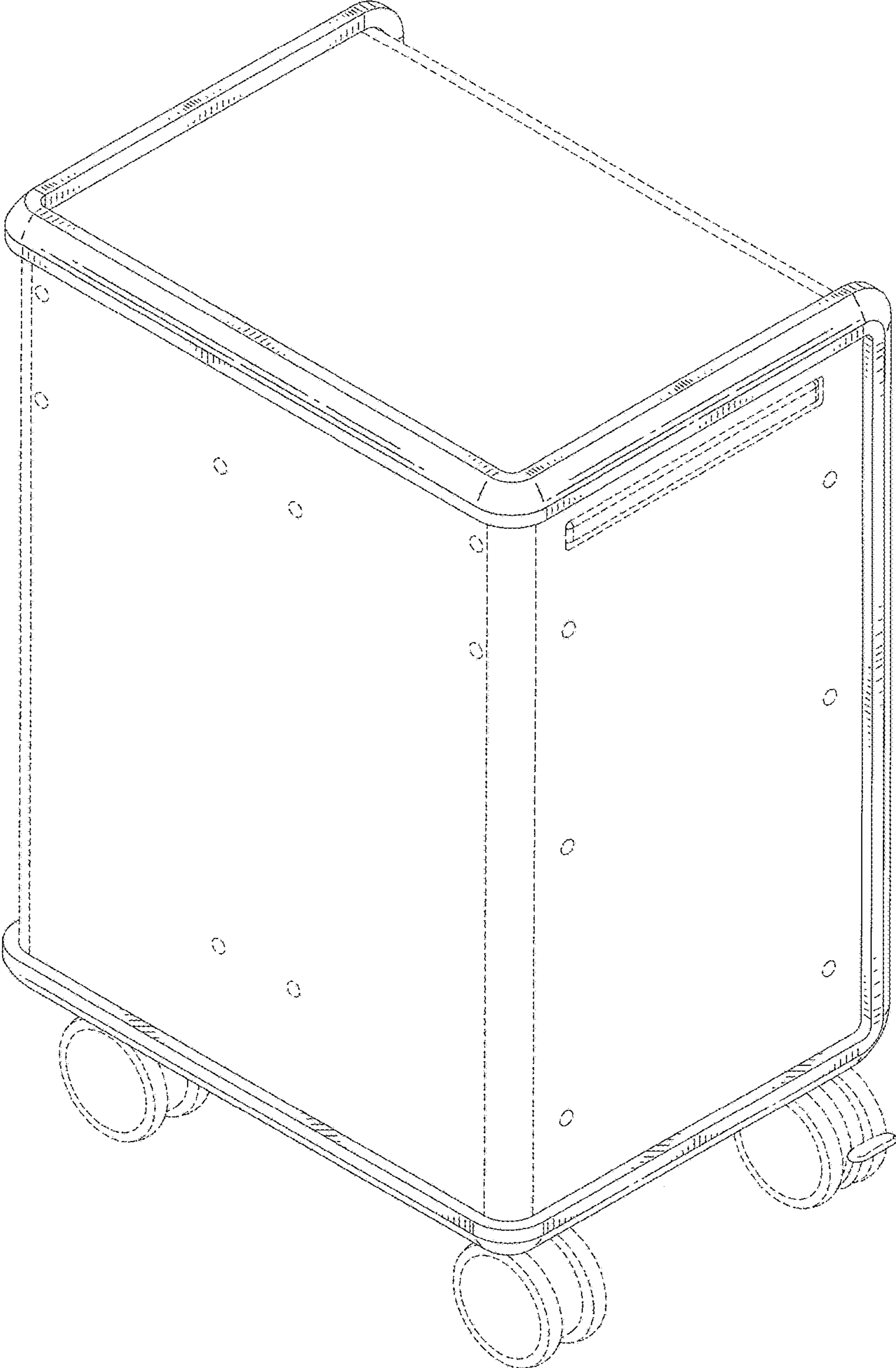


FIG.2

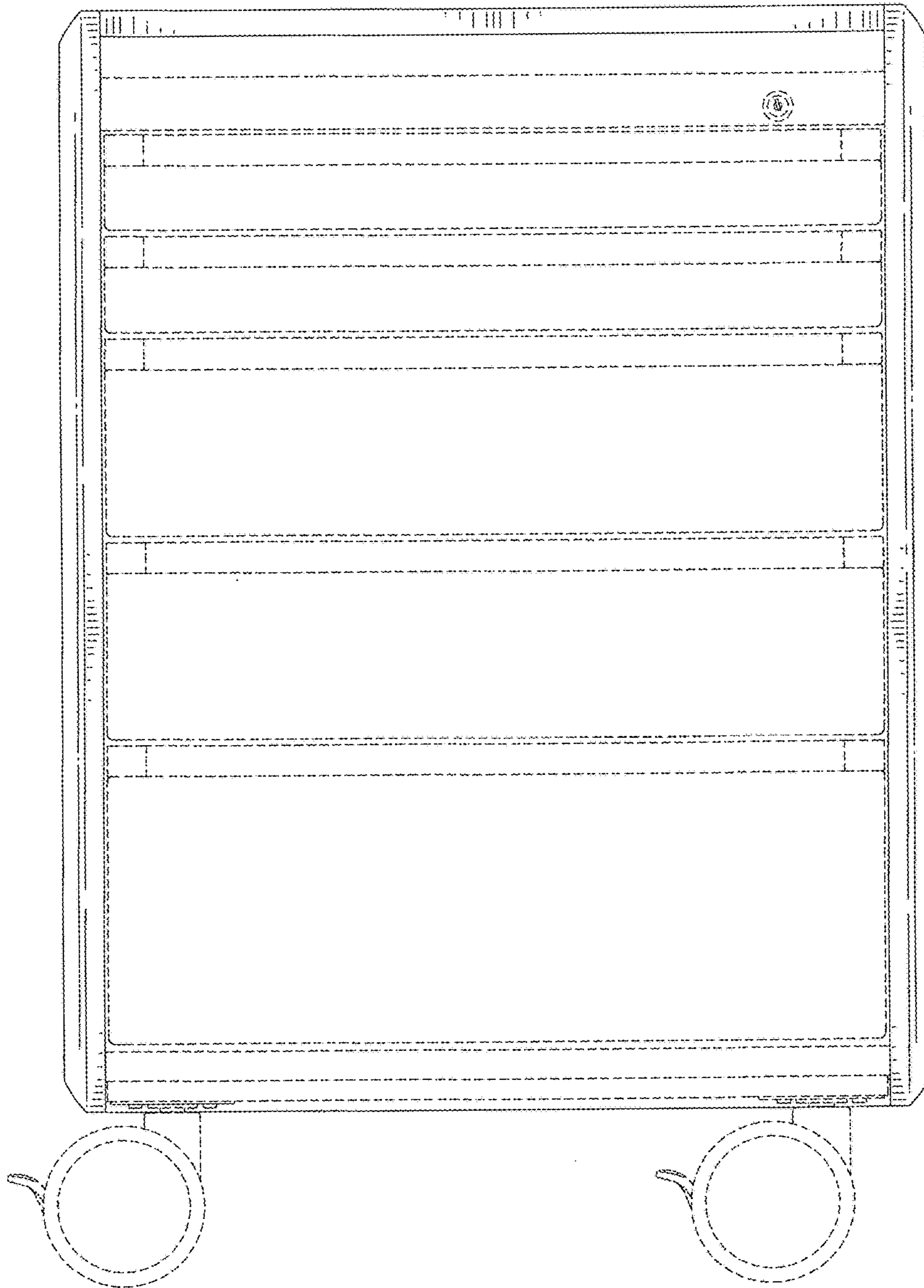


FIG.3

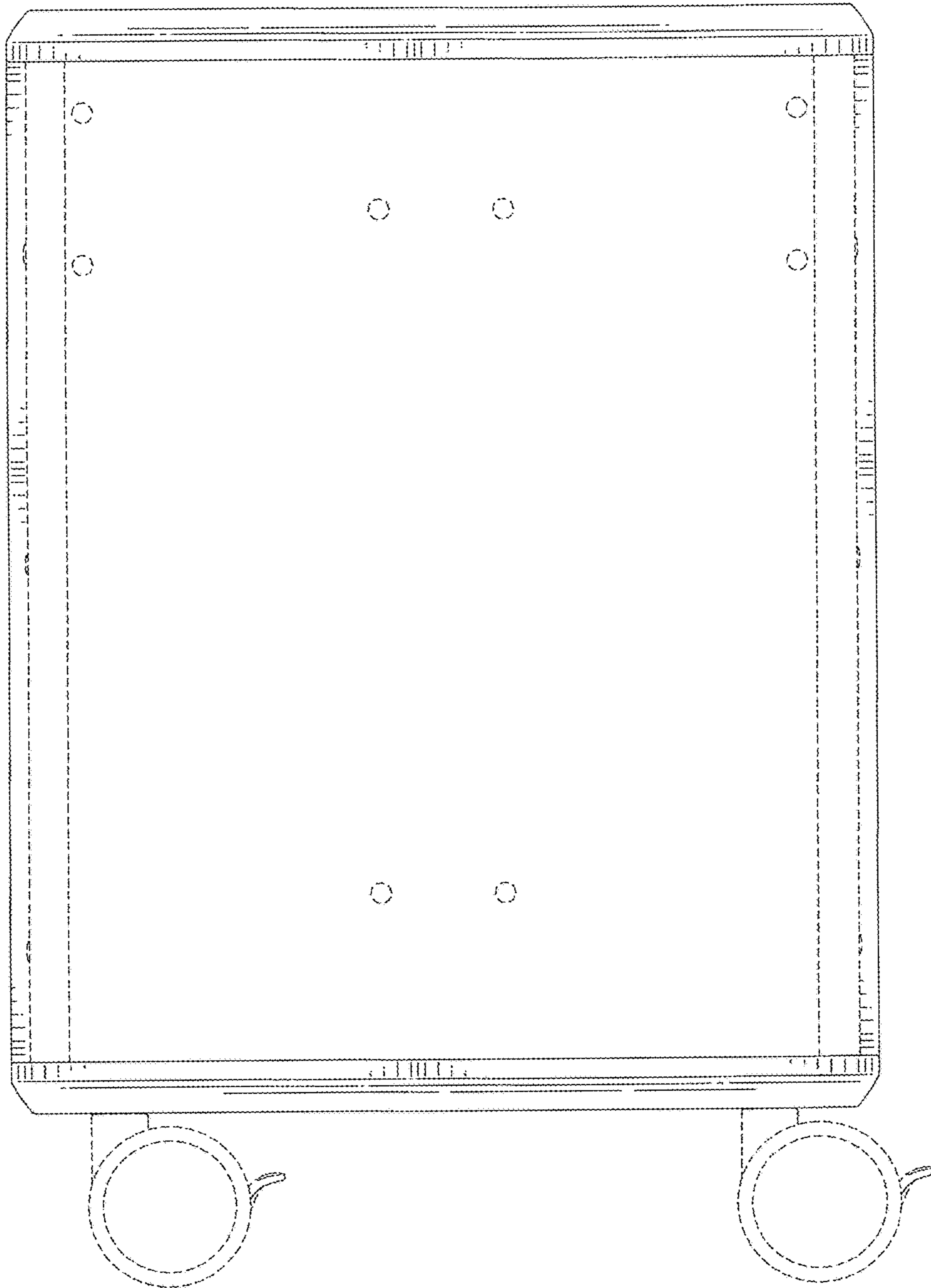


FIG.4

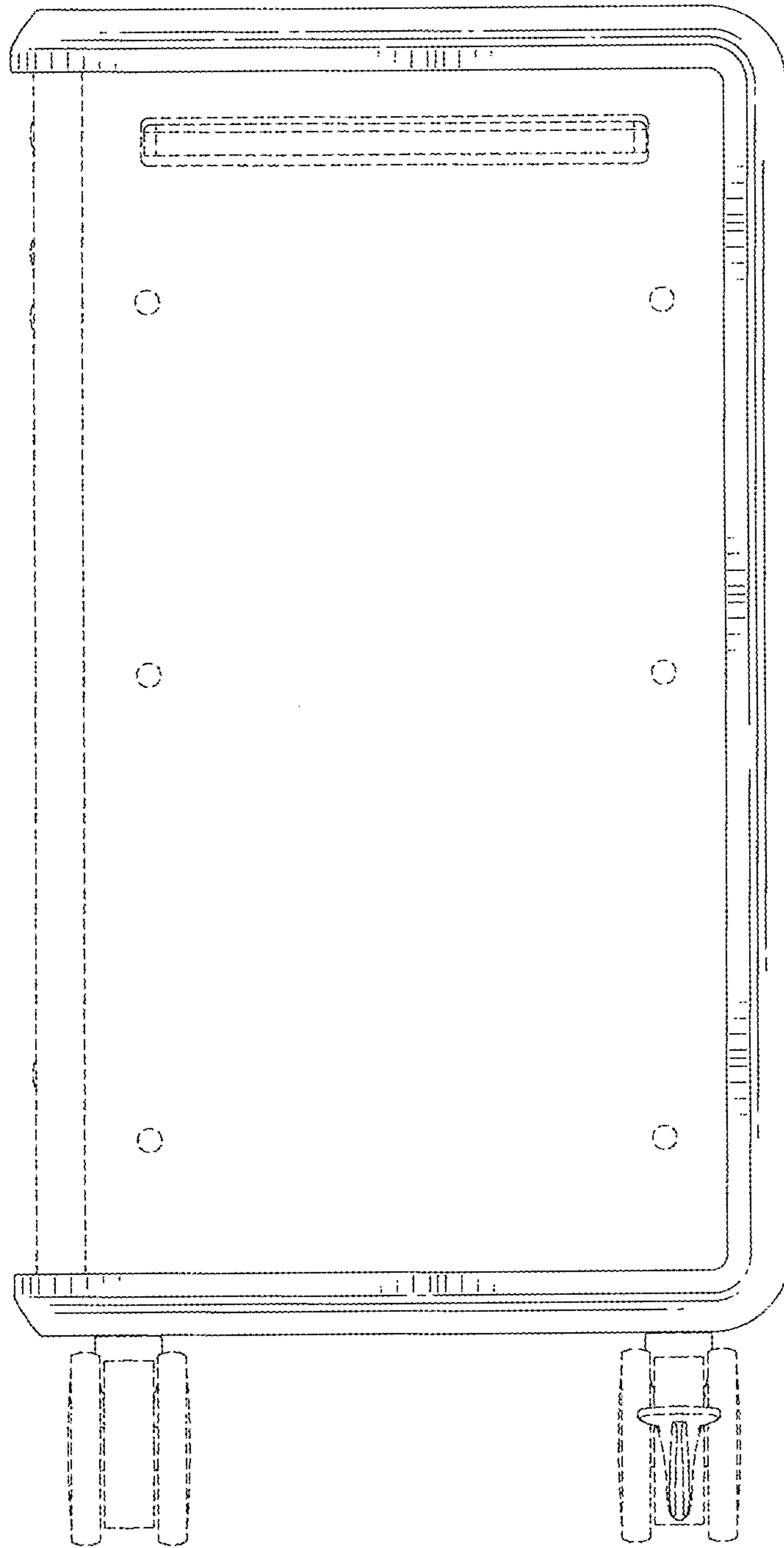


FIG.5

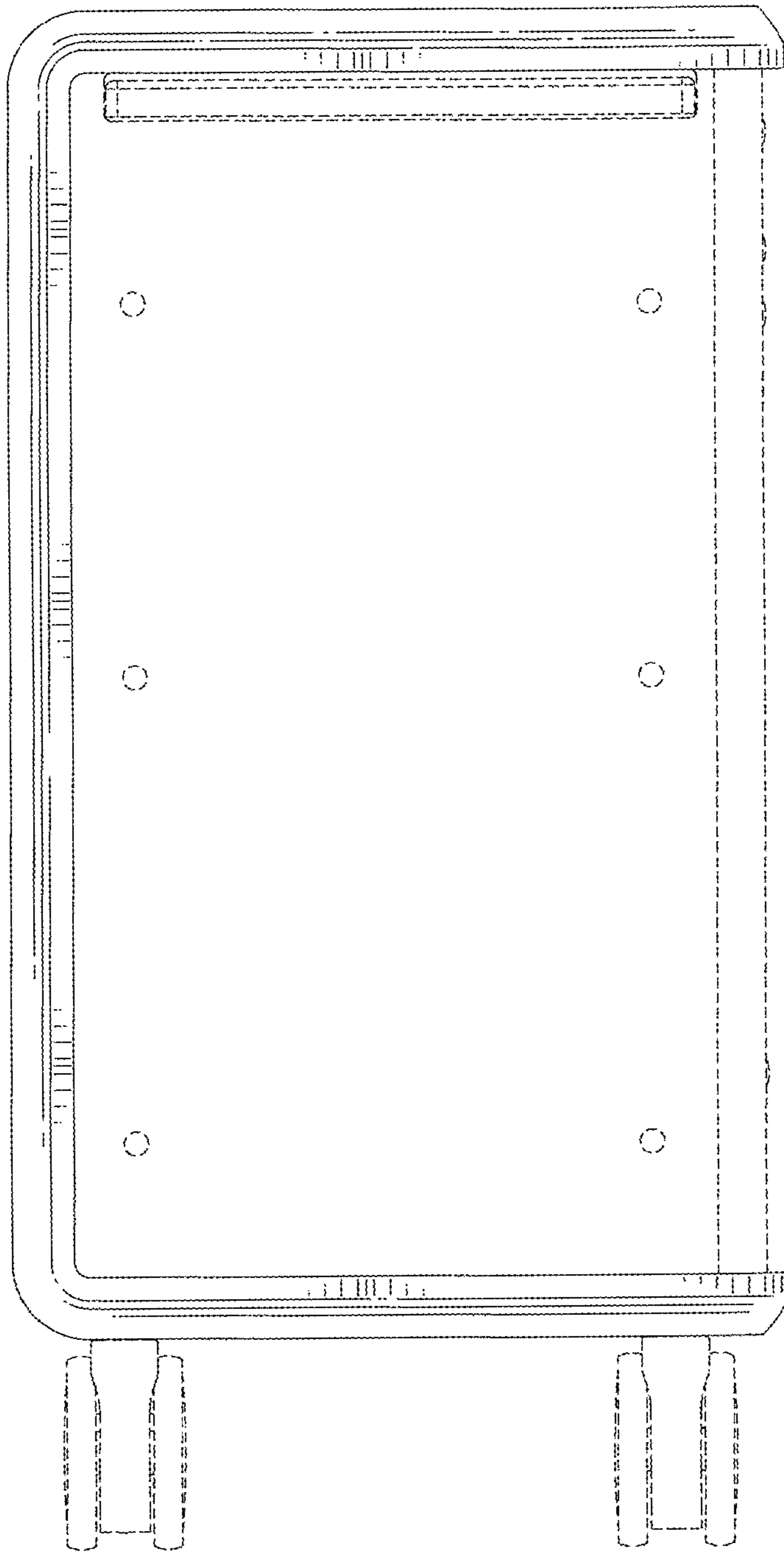


FIG.6

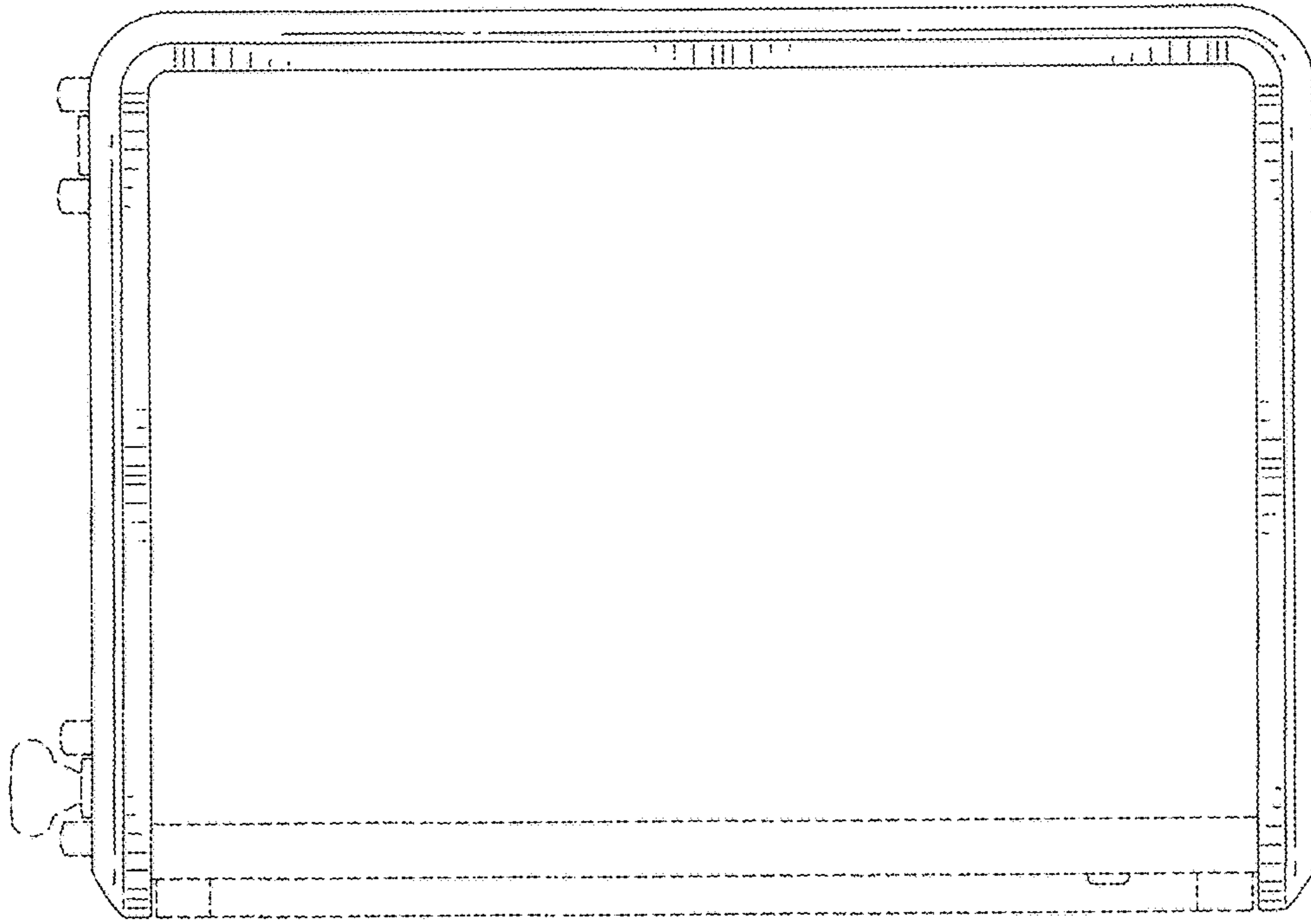


FIG. 7



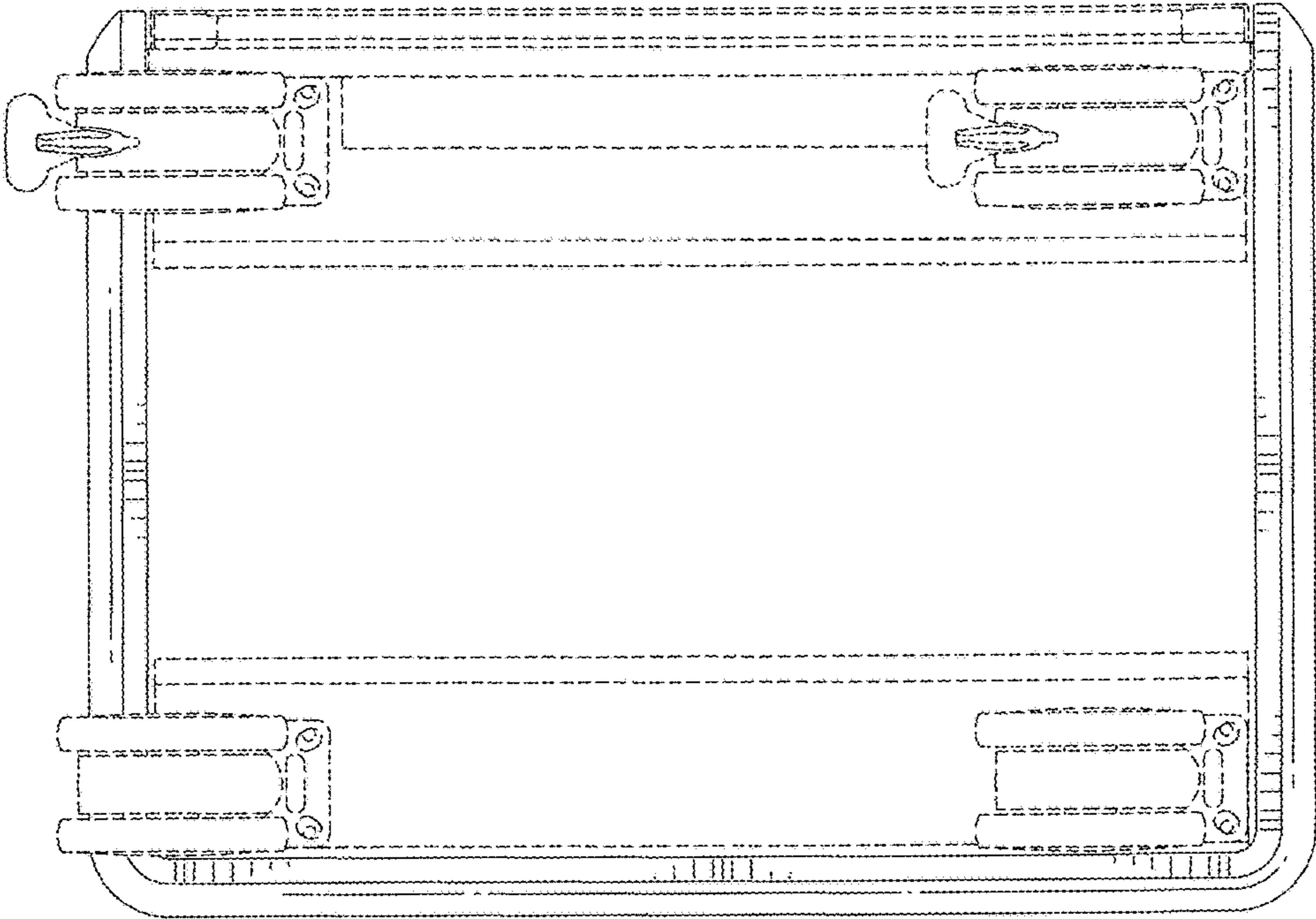


FIG.8