



US00D827347S

(12) **United States Design Patent**
Audi

(10) **Patent No.:** **US D827,347 S**

(45) **Date of Patent:** **** Sep. 4, 2018**

(54) **SOFA TABLE WITH TWO-LEVEL TOP**

(71) Applicant: **Edward J. Audi**, Fayetteville, NY (US)

(72) Inventor: **Edward J. Audi**, Fayetteville, NY (US)

(73) Assignee: **L.&J.G. Stickley, Inc.**, Manlius, NY (US)

(**) Term: **15 Years**

(21) Appl. No.: **29/562,621**

(22) Filed: **Apr. 27, 2016**

(51) **LOC (11) Cl.** **06-03**

(52) **U.S. Cl.**
USPC **D6/691.9**

(58) **Field of Classification Search**
USPC D6/654, 675.3, 685, 697, 690, 691,
D6/691.2, 691.3, 691.5, 691.7-691.9, 694
CPC A47B 3/00; A47B 7/00; A47B 9/00; A47B
2009/006; A47B 13/00; A47B 13/02;
A47B 13/04; A47B 13/06; A47B 13/08;
A47B 21/00; A47B 2200/00; A47B
2200/0001; A47B 2200/0011; A47B
2200/0016

See application file for complete search history.

(56) **References Cited**

U.S. PATENT DOCUMENTS

D174,030 S * 2/1955 French D6/691.8
D178,098 S * 6/1956 Van Koert D6/691.8

D180,001 S * 4/1957 Wilson D6/691.8
D260,716 S * 9/1981 Cohen D6/675.3
D287,444 S * 12/1986 Norling A47B 3/00
D6/675.3
D697,344 S * 1/2014 Kerian D6/675.1
D796,237 S * 9/2017 Audi D6/697
2006/0119237 A1* 6/2006 Packer A47B 3/00
312/313

* cited by examiner

Primary Examiner — Mary Ann Calabrese

(74) *Attorney, Agent, or Firm* — Bernhard P. Molldrem, Jr.

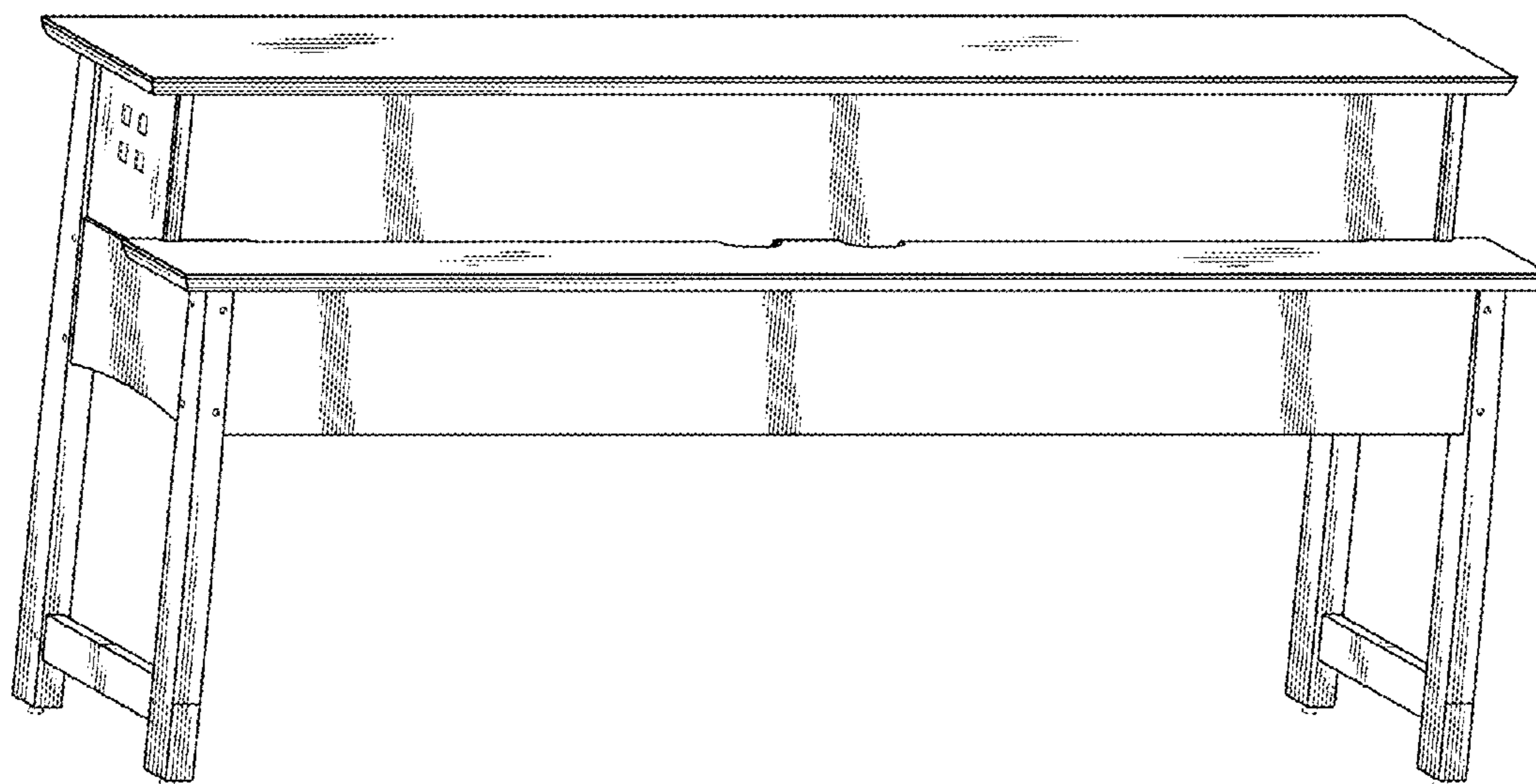
(57) **CLAIM**

The ornamental design for a sofa table with two-level top, as shown and described.

DESCRIPTION

FIG. 1 is a front perspective view of a sofa table with two-level top showing my design.
FIG. 2 is a front elevational view thereof.
FIG. 3 is a left side elevational view thereof.
FIG. 4 is a top plan view thereof.
FIG. 5 is a rear elevational view thereof.
FIG. 6 is bottom view thereof; and,
FIG. 7 is a right side elevational view thereof.
Elements shown in broken line do not form part of the claimed design.

1 Claim, 3 Drawing Sheets



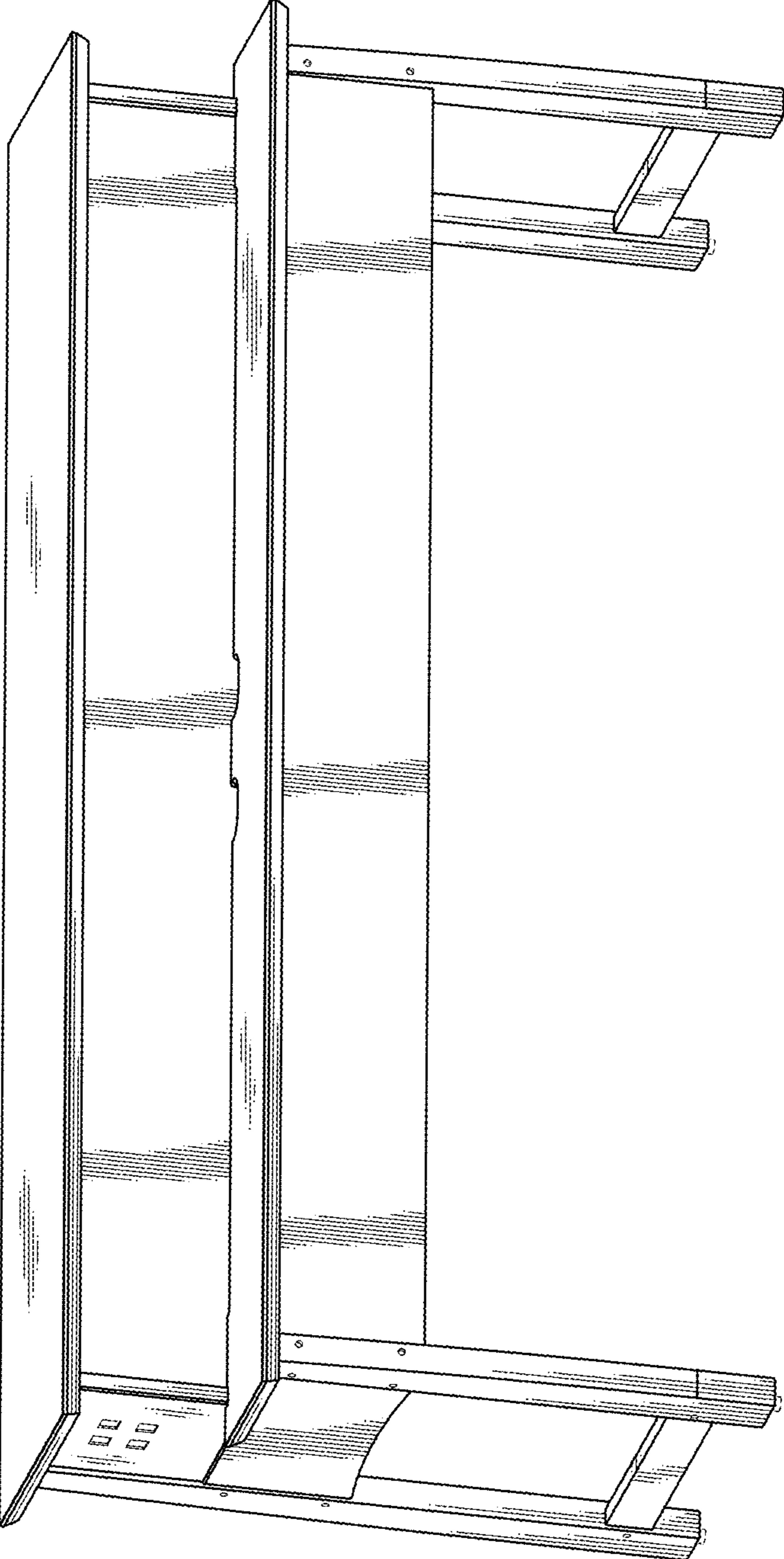


FIG. 1

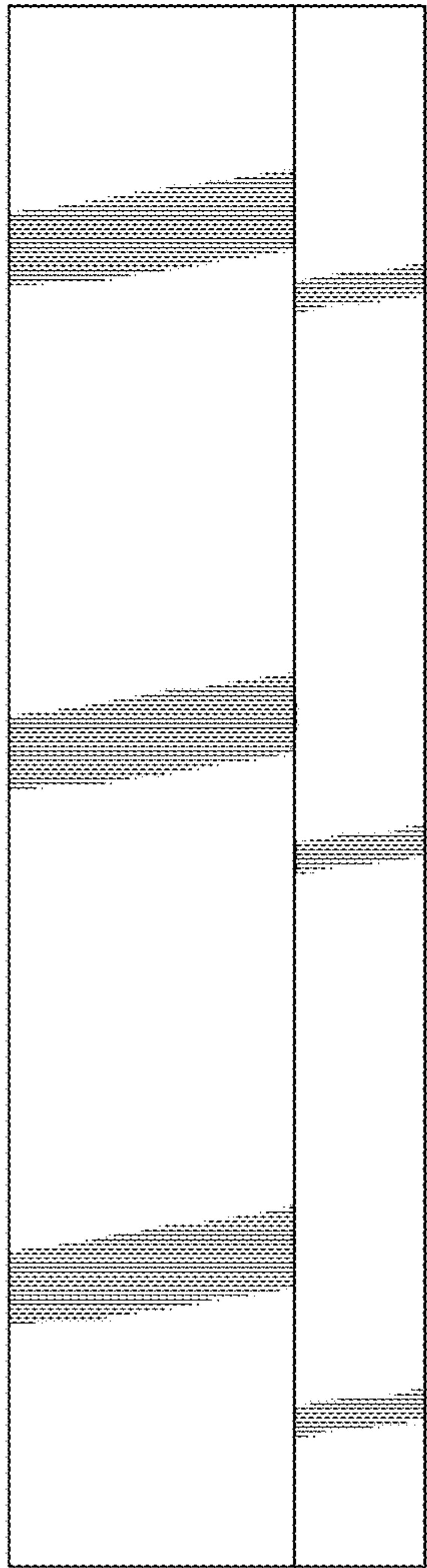


FIG. 4

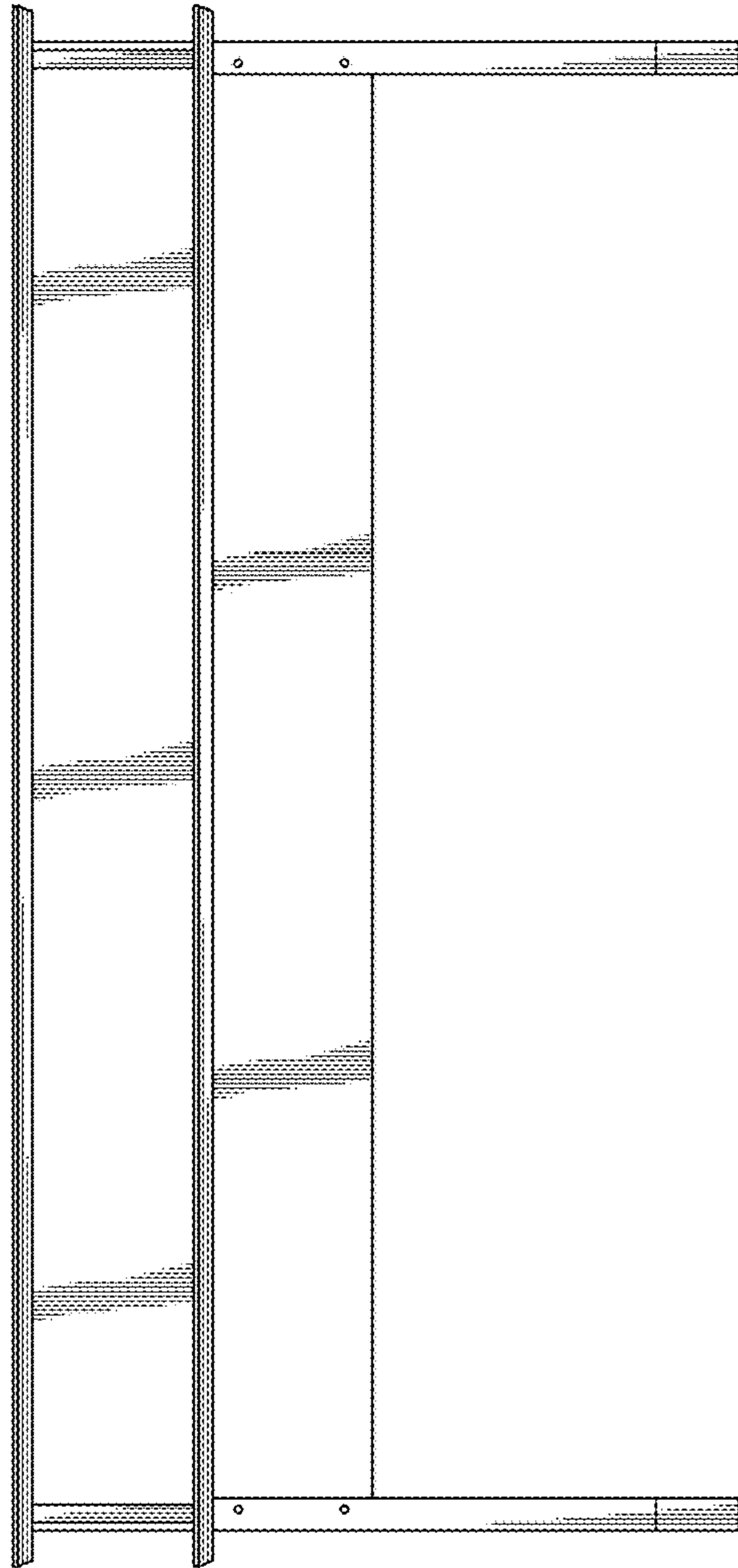


FIG. 2

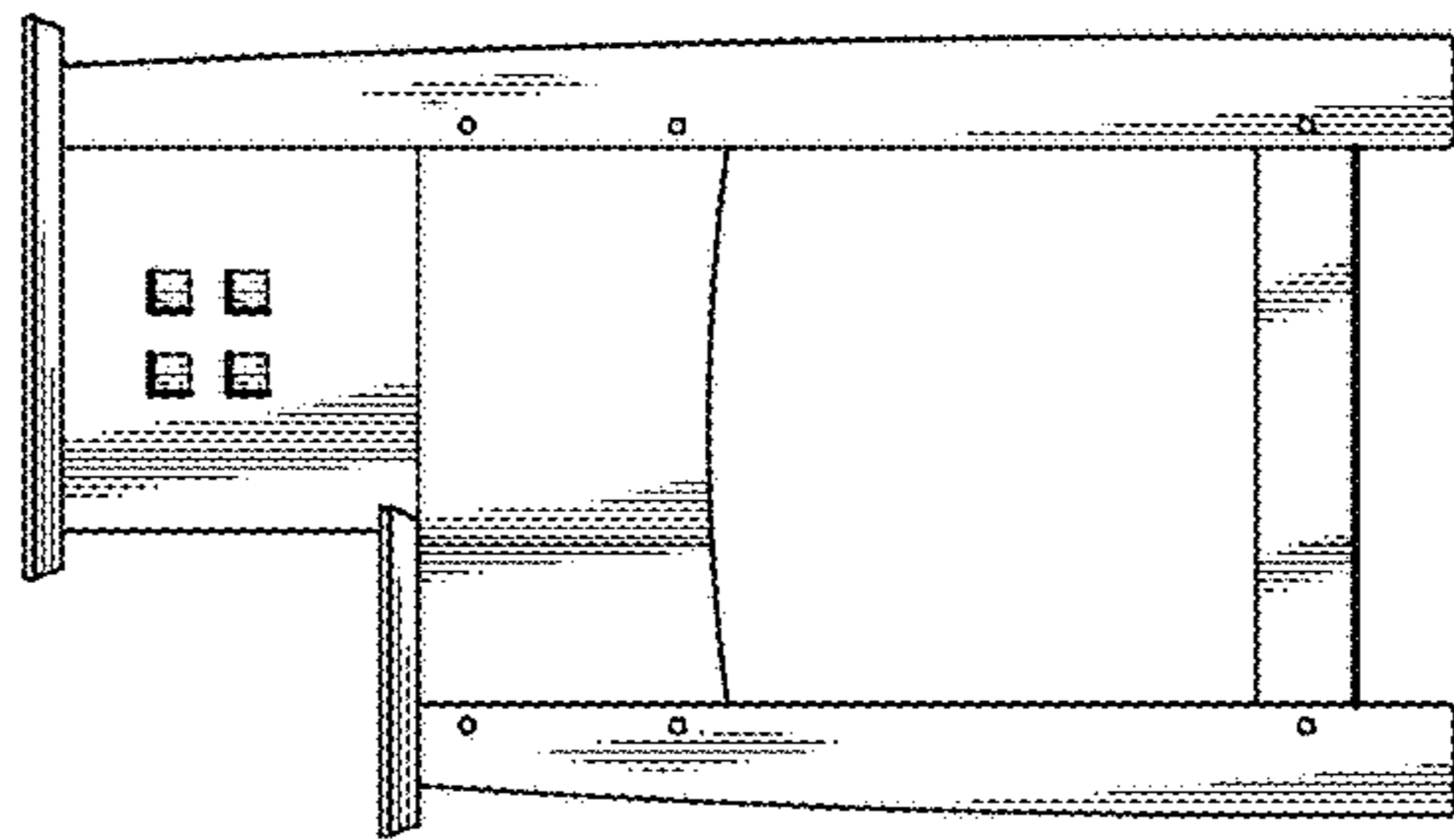


FIG. 3

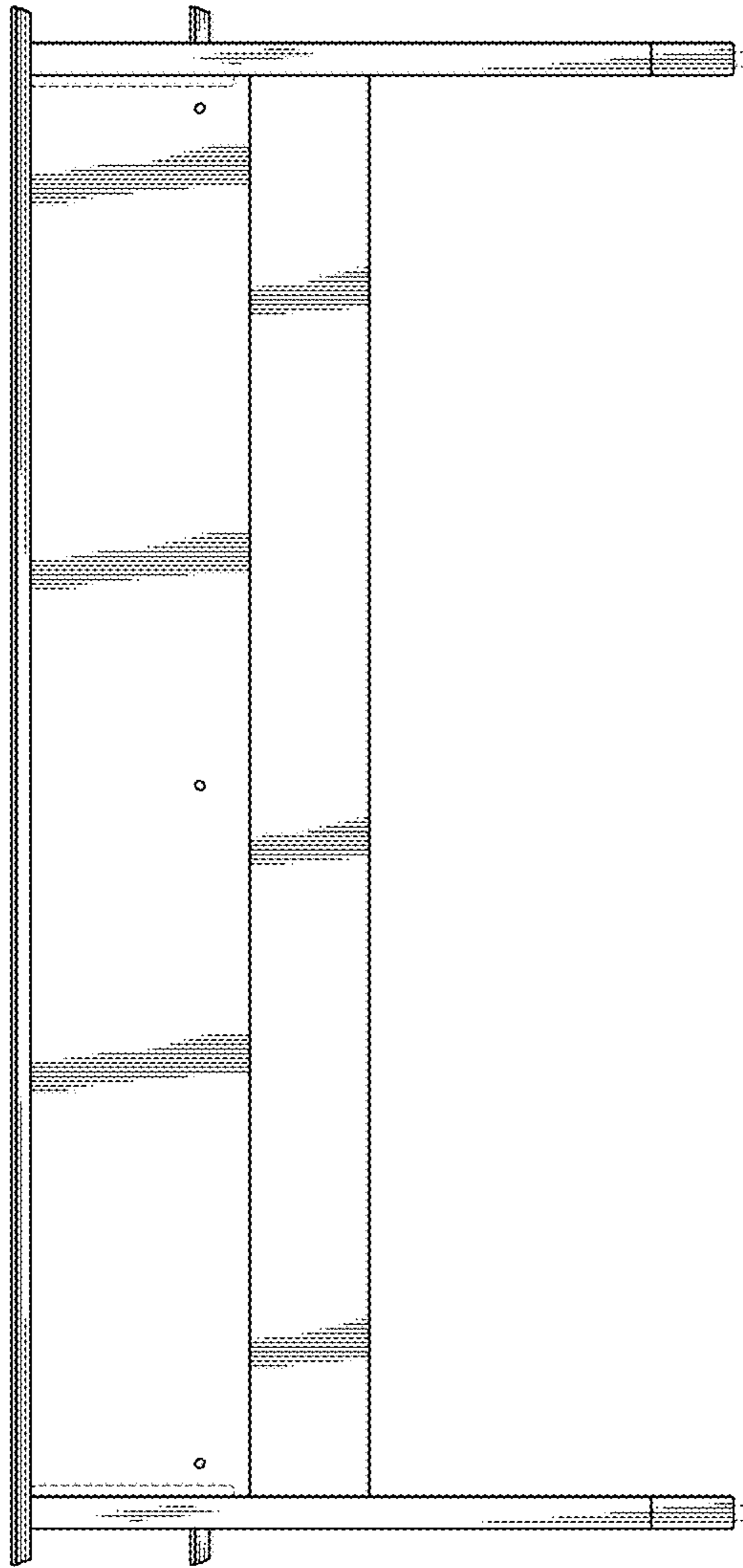


FIG. 5

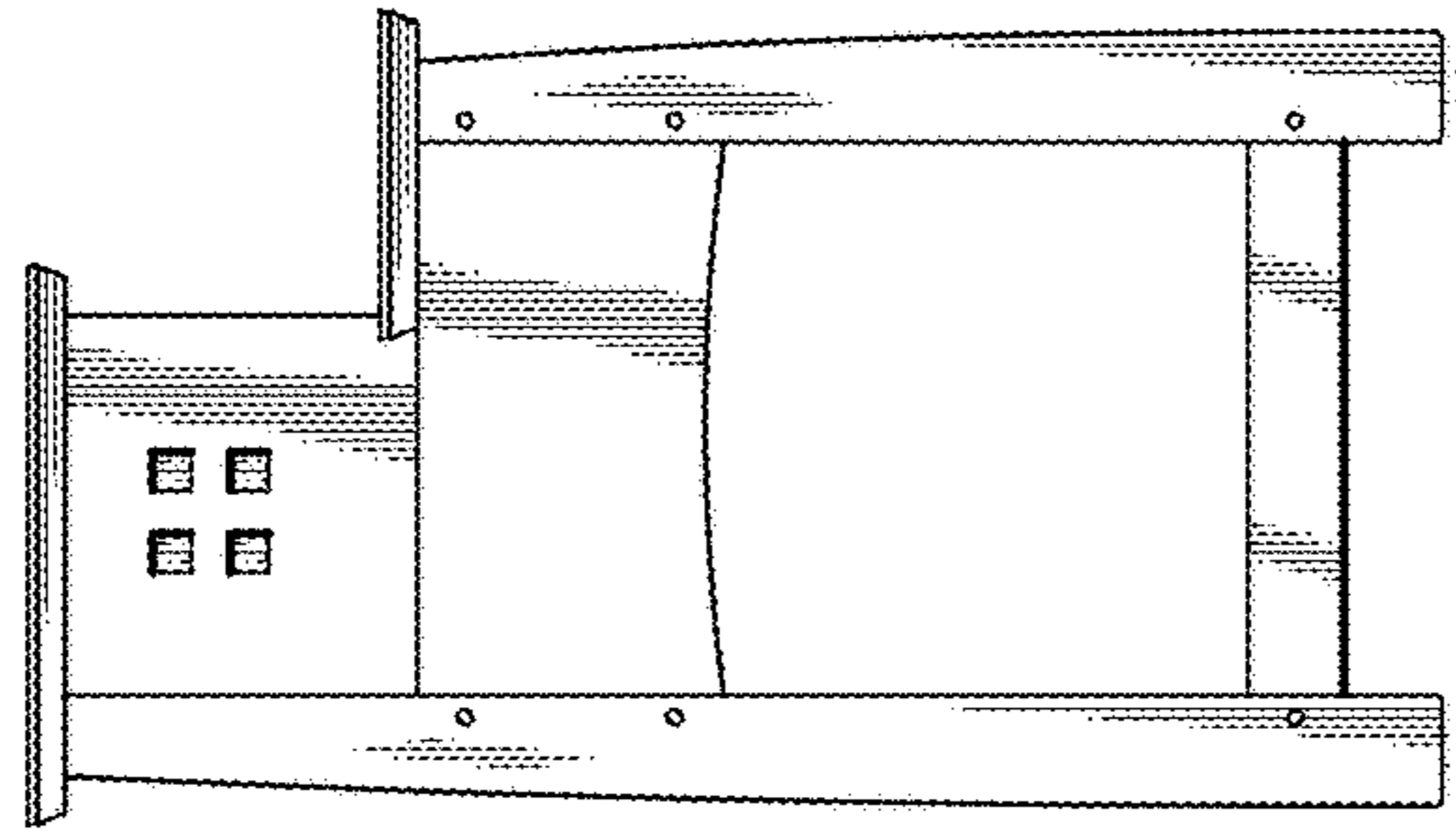


FIG. 7

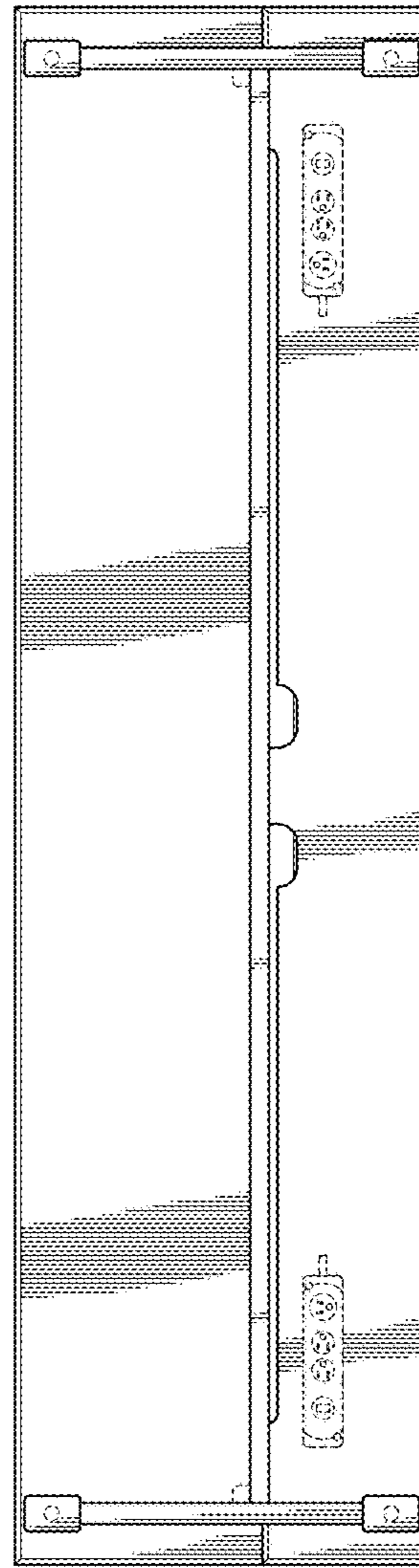


FIG. 6