



US00D827344S

(12) **United States Design Patent** (10) **Patent No.:** **US D827,344 S**
Dillon (45) **Date of Patent:** **** Sep. 4, 2018**

(54) **VIRTUAL REALITY HAND CONTROLLER STAND**

(71) Applicant: **Tree Cloud LLC**, Houston, TX (US)

(72) Inventor: **Christopher Charles Dillon**, Houston, TX (US)

(73) Assignee: **TREE CLOUD, LLC.**, Houston, TX (US)

(**) Term: **15 Years**

(21) Appl. No.: **29/608,117**

(22) Filed: **Jun. 19, 2017**

(51) **LOC (11) Cl.** **06-06**

(52) **U.S. Cl.**
USPC **D6/682**; D14/454

(58) **Field of Classification Search**
USPC D14/440, 447, 454, 457-461; D6/512, D6/513, 682, 682.2

CPC A63F 13/06; A63F 13/98; G06F 3/014; G06F 3/011; G06F 3/0346

See application file for complete search history.

(56) **References Cited**

U.S. PATENT DOCUMENTS

D399,194 S *	10/1998	Chuang	D14/461
D666,162 S *	8/2012	Petrillo	D13/168
D706,561 S *	6/2014	Buller	D6/682
D709,308 S *	7/2014	Buller	D6/682
D714,775 S *	10/2014	Yoo	D14/253
D720,564 S *	1/2015	Buller	D6/682

D723,011 S *	2/2015	Symons	D14/224
D737,606 S *	9/2015	King	D6/682
9,421,472 B2 *	8/2016	Buller	A63F 13/24
D765,449 S *	9/2016	Buller	D6/682.3
9,583,955 B2 *	2/2017	Navid	H02J 7/0045
D785,380 S *	5/2017	King	D6/681
9,804,693 B2 *	10/2017	Long	G06F 3/044
2008/0230987 A1 *	9/2008	Jackson	A63F 13/02 273/148 B
2009/0325717 A1 *	12/2009	Lee-Him	A63F 13/02 463/47

* cited by examiner

Primary Examiner — Deanna L Pratt

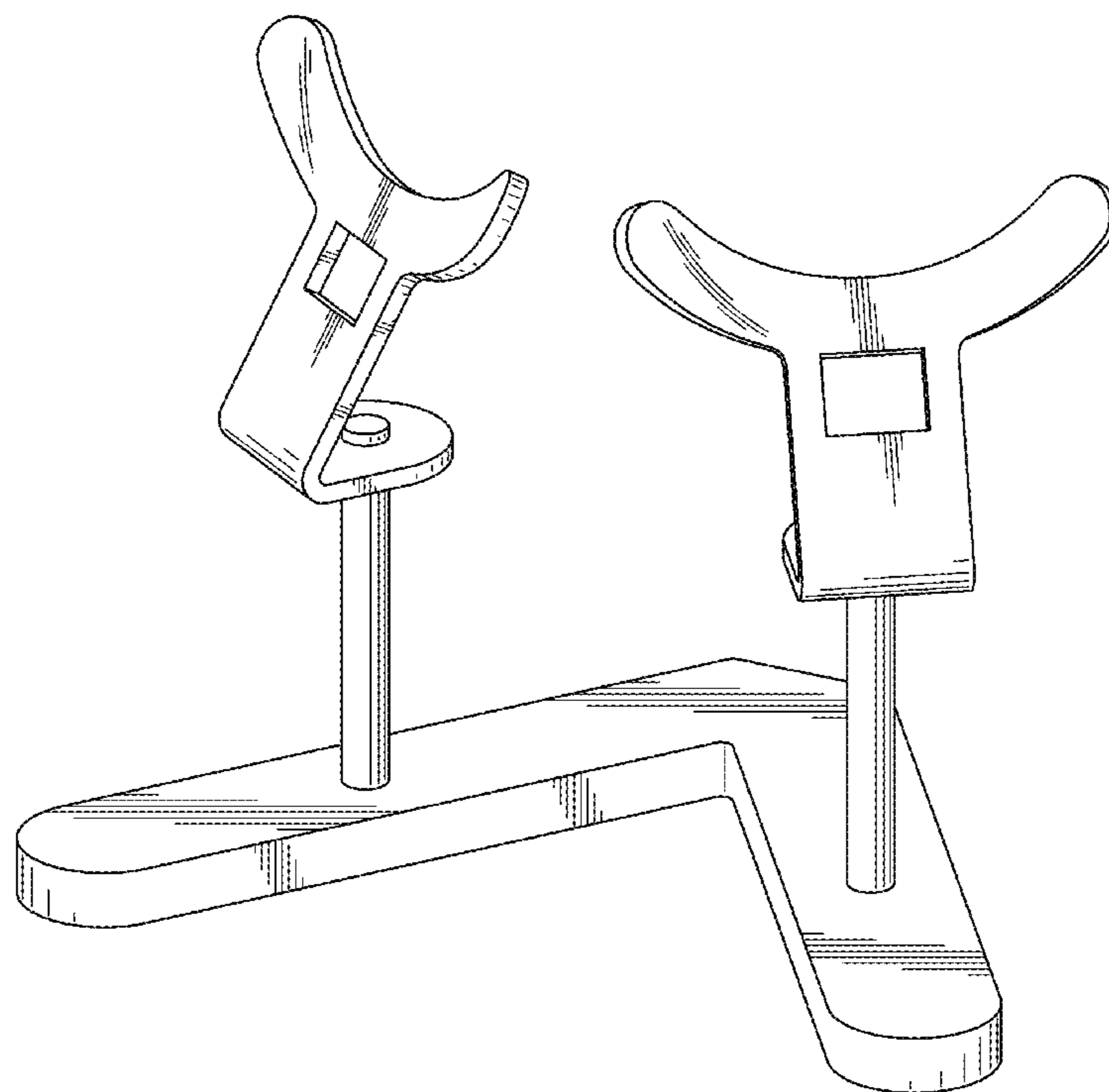
(57) **CLAIM**

The ornamental design for a virtual reality hand controller stand, as shown and described.

DESCRIPTION

FIG. 1 is a perspective view of a virtual reality hand controller stand in accordance with one implementation; FIG. 2 is a front view of the virtual reality hand controller stand of FIG. 1; FIG. 3 is a rear view of the virtual reality hand controller stand of FIG. 1; FIG. 4 is a side view of the virtual reality hand controller stand of FIG. 1; FIG. 5 is a side view of the virtual reality hand controller stand of FIG. 1; FIG. 6 is a top view of the virtual reality hand controller stand of FIGS. 1; and, FIG. 7 is a bottom view of the virtual reality hand controller stand of FIG. 1.

1 Claim, 7 Drawing Sheets



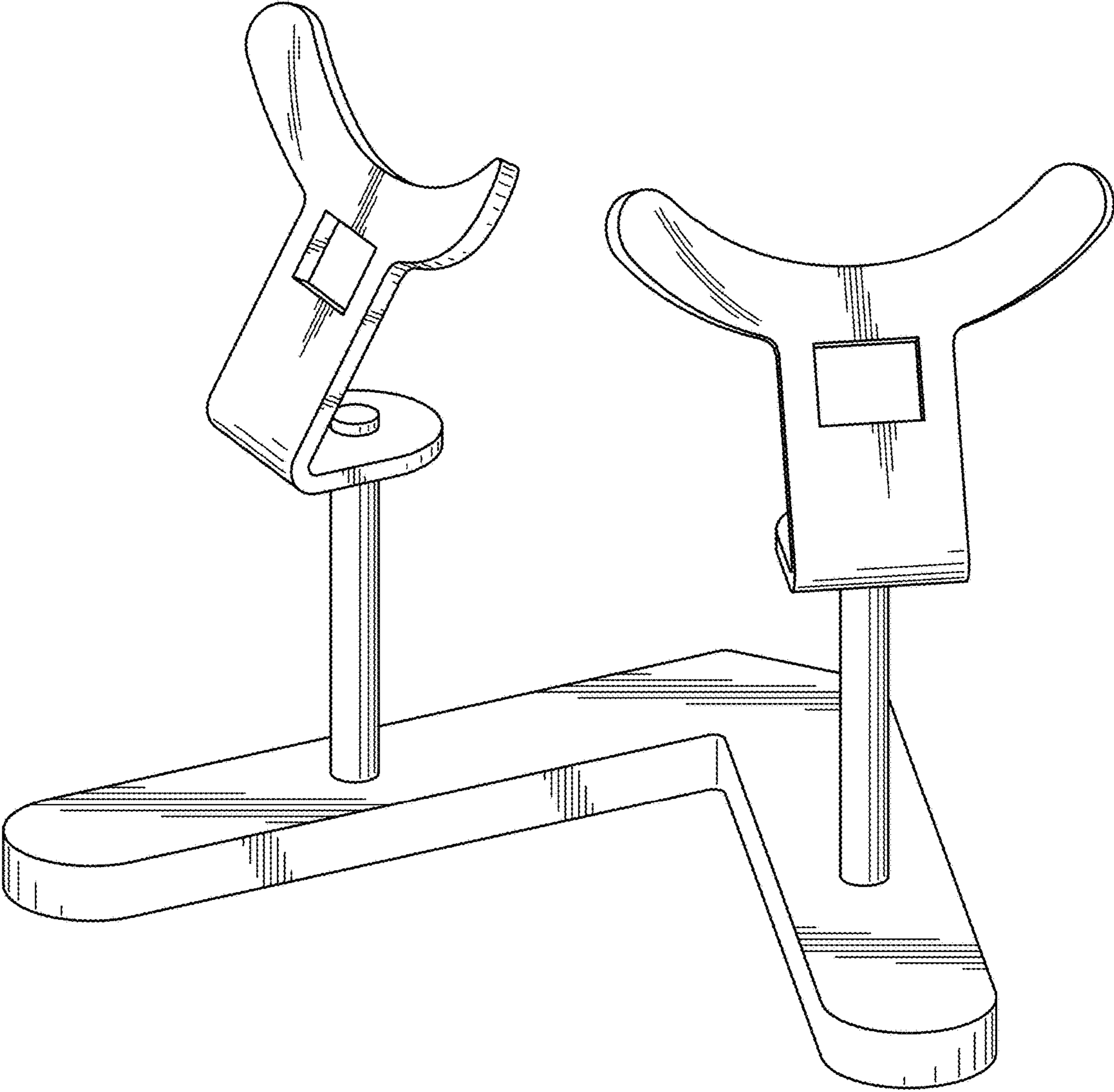
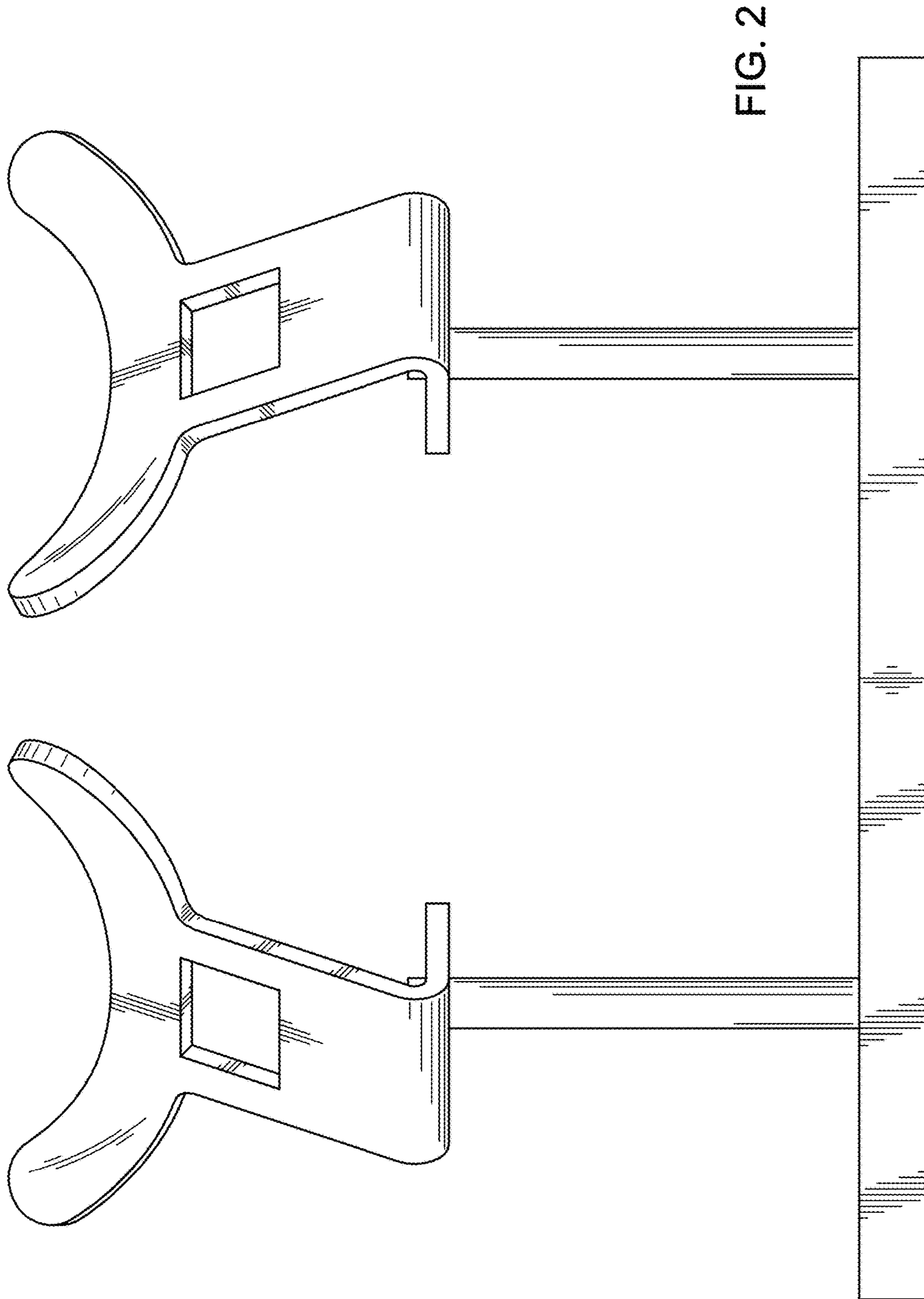


FIG. 1



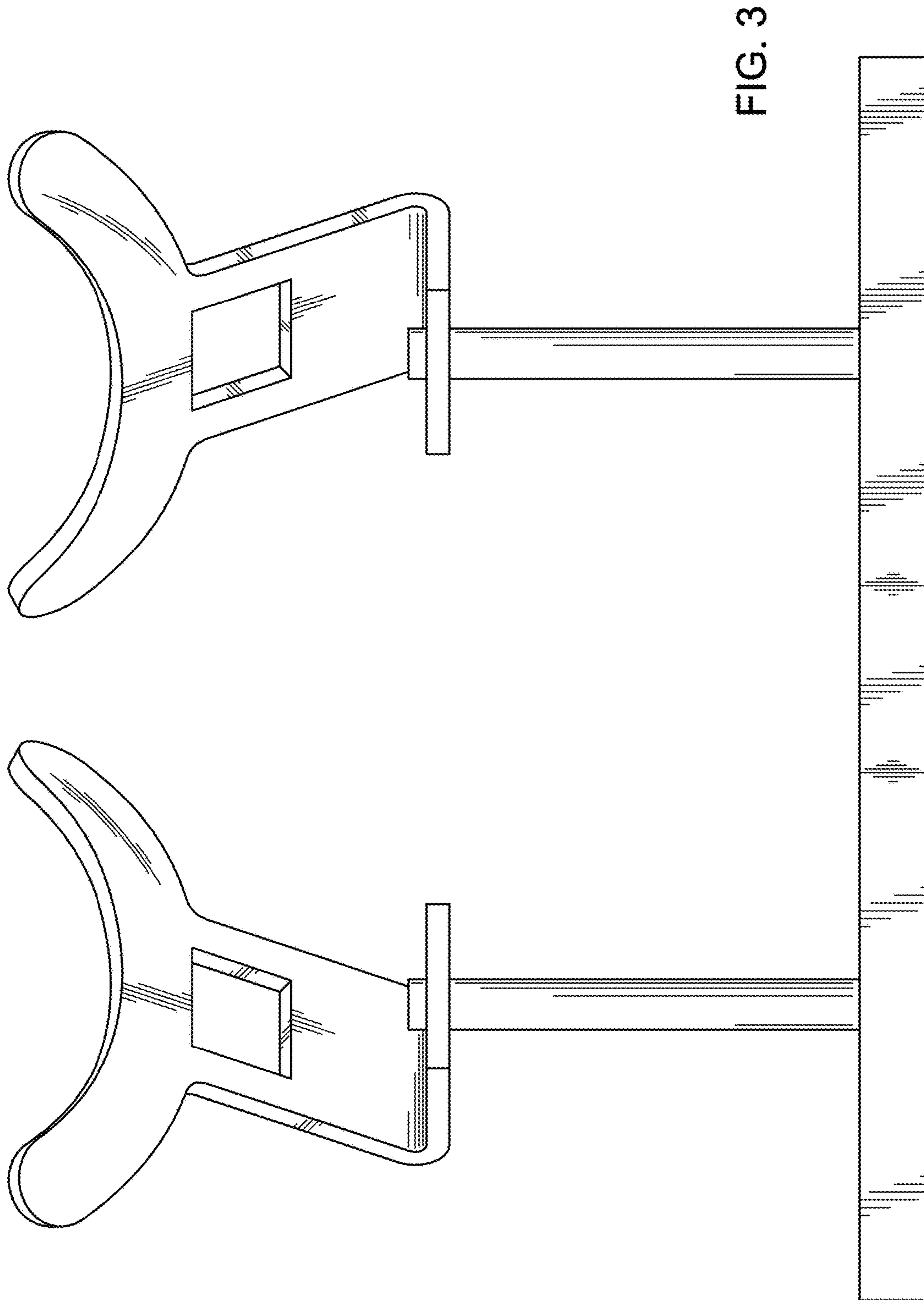


FIG. 4

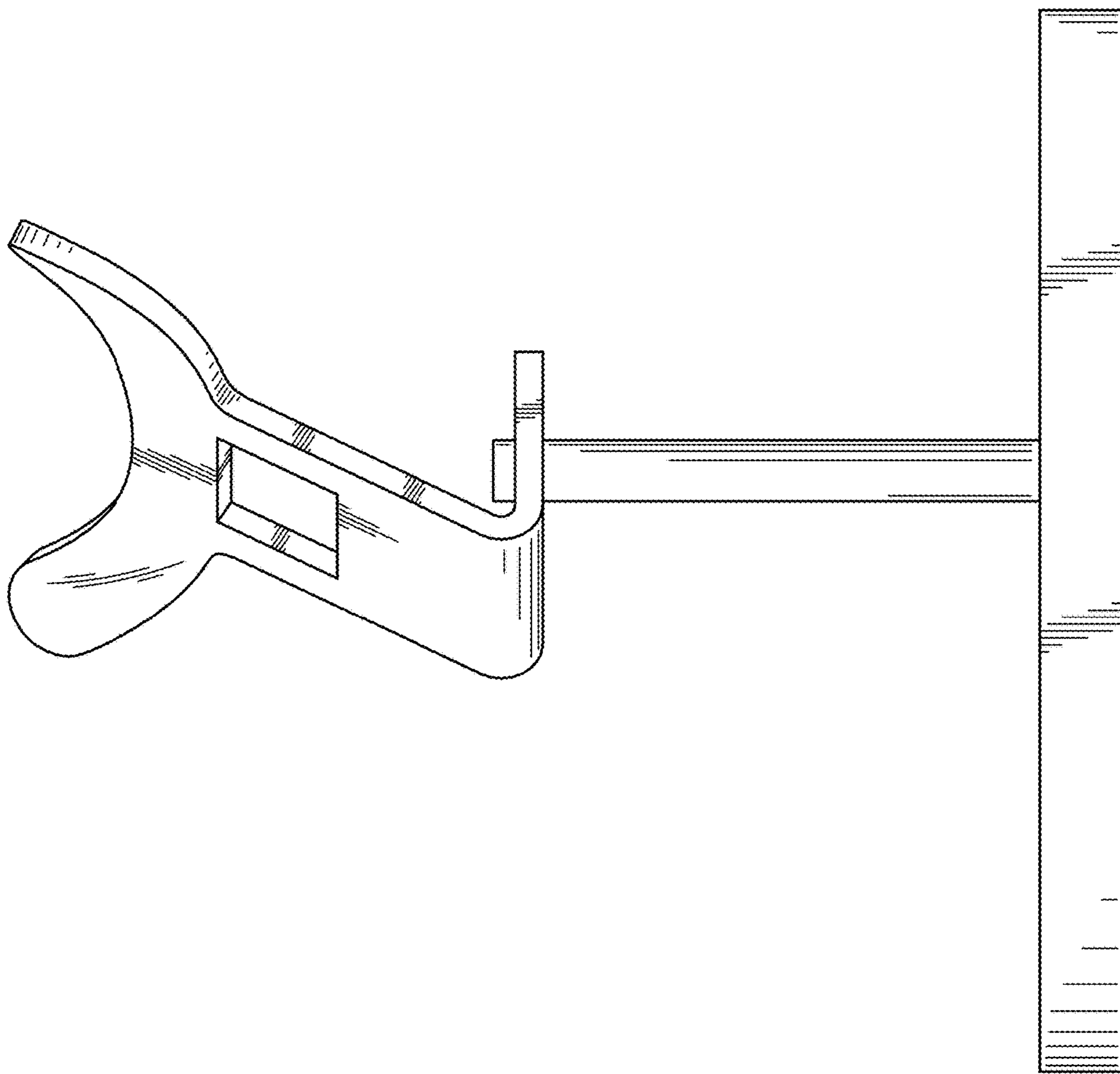
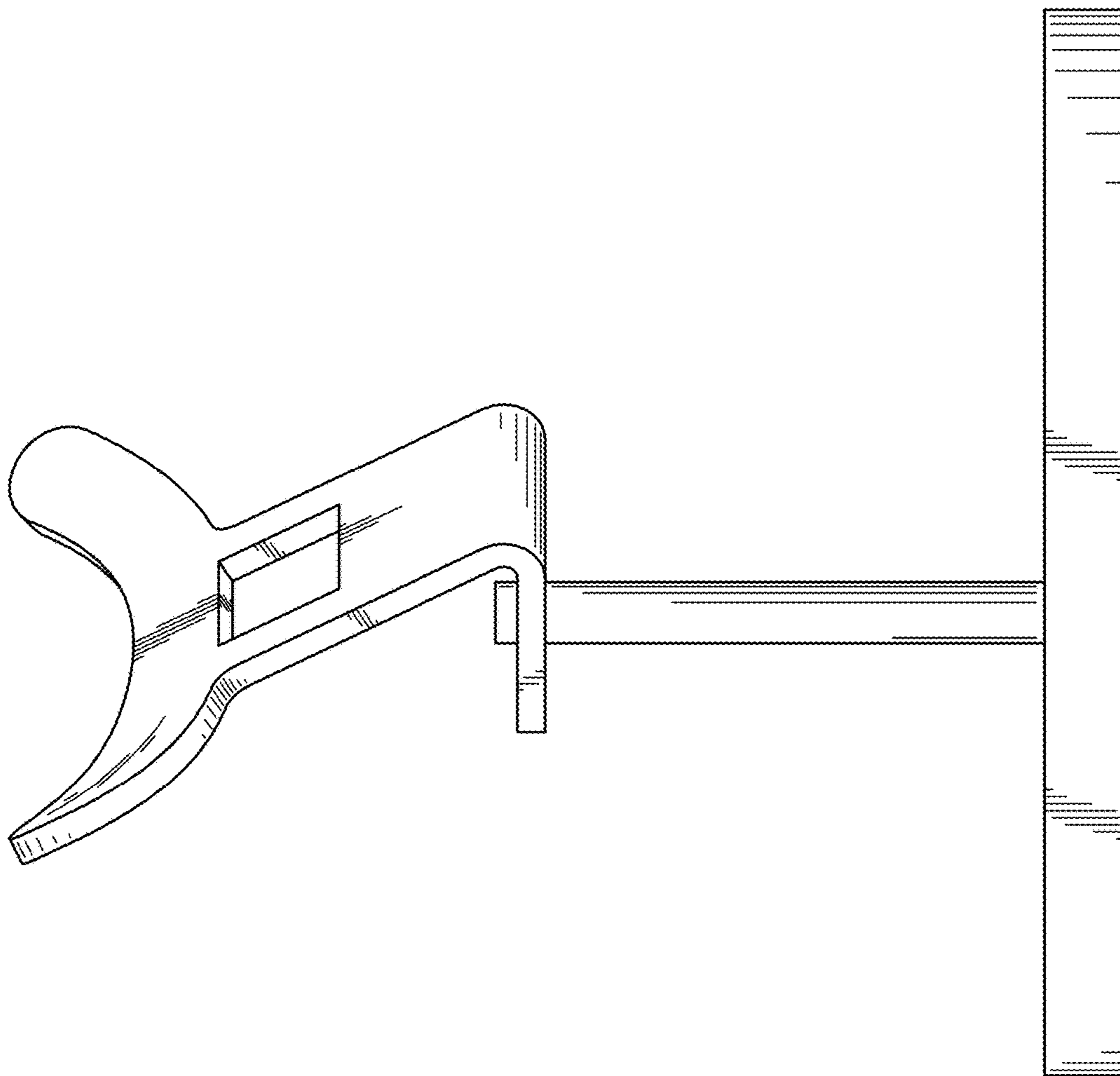


FIG. 5



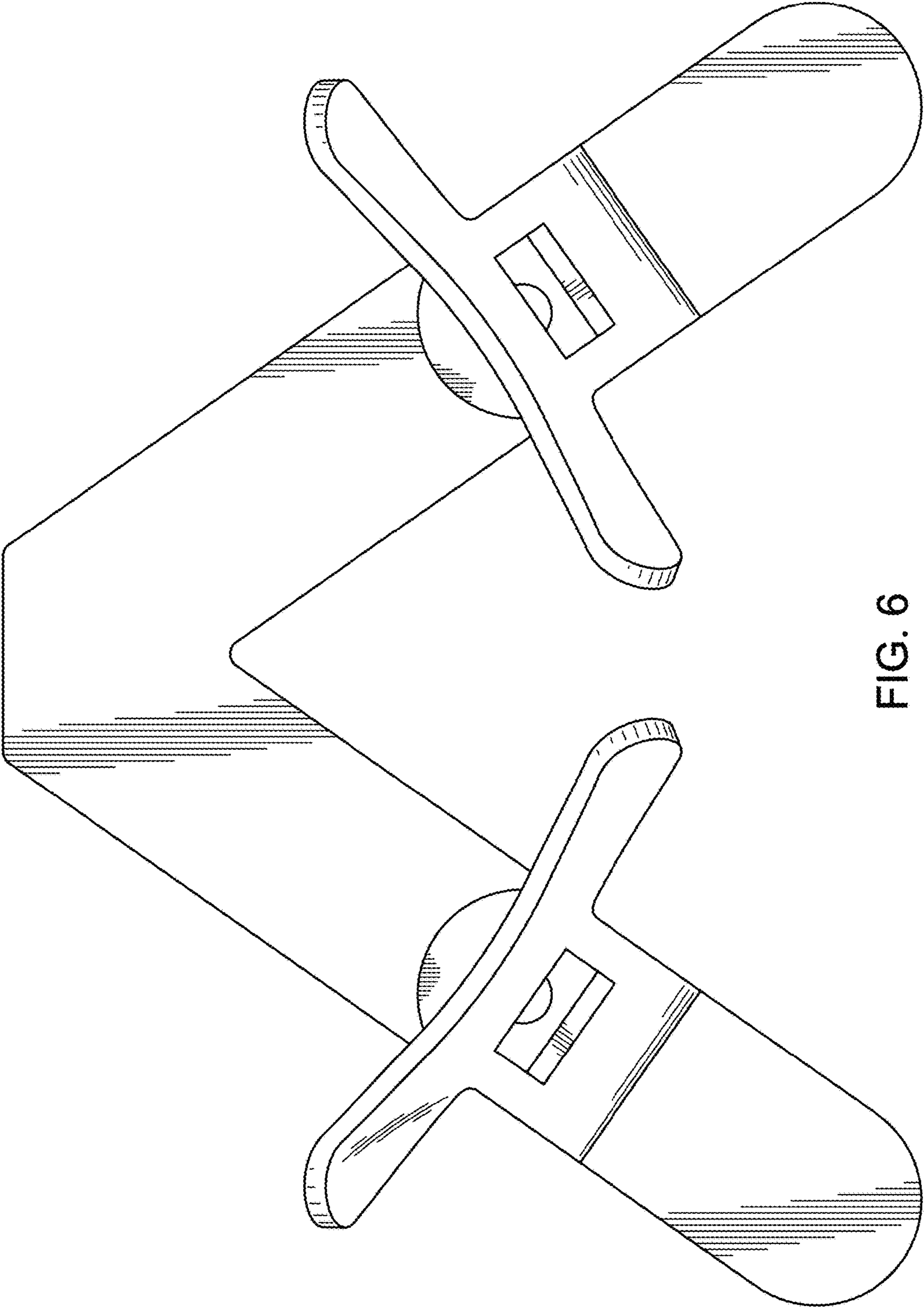


FIG. 6

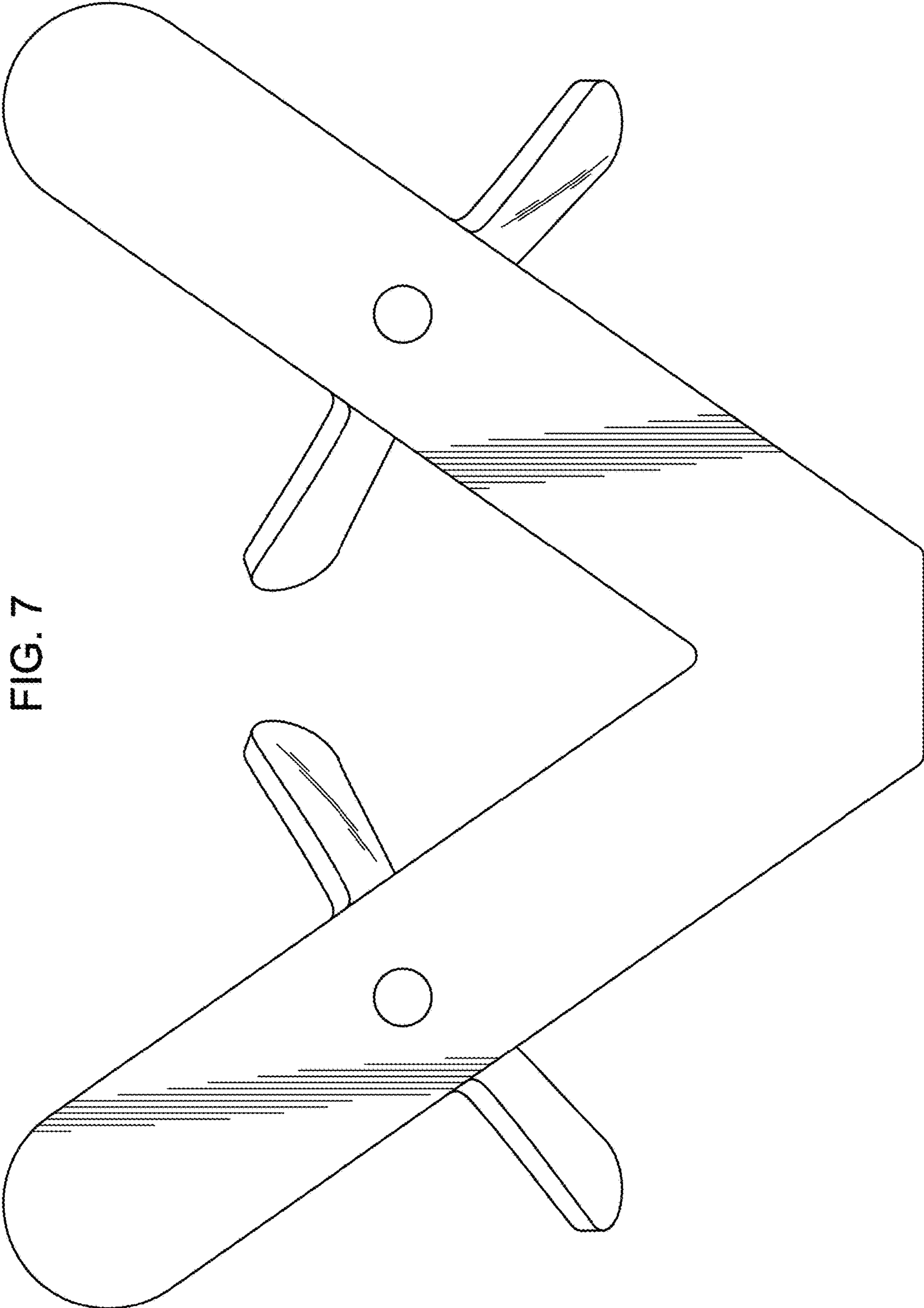


FIG. 7