



US00D827343S

(12) **United States Design Patent** (10) **Patent No.:** **US D827,343 S**  
**Longman et al.** (45) **Date of Patent:** **\*\* Sep. 4, 2018**

(54) **POURING STAND**  
(71) Applicant: **SABMiller Limited**, Woking (GB)  
(72) Inventors: **Daniel Longman**, Leicester (GB);  
**David Mason**, Leicester (GB)  
(73) Assignee: **SABMILLER LIMITED** (GB)  
(\*\*) Term: **15 Years**  
(21) Appl. No.: **29/590,880**  
(22) Filed: **Jan. 13, 2017**

(30) **Foreign Application Priority Data**  
Jul. 15, 2016 (EM) ..... 003307958-0004  
(51) **LOC (11) Cl.** ..... **06-06**  
(52) **U.S. Cl.**  
USPC ..... **D6/682**  
(58) **Field of Classification Search**  
USPC ..... D6/672, 682, 678, 678.3; D7/558, 311,  
D7/398, 400, 403  
CPC .. B65D 85/8043; A47J 31/0673; A47J 31/407  
See application file for complete search history.

(56) **References Cited**  
U.S. PATENT DOCUMENTS  
D199,316 S \* 10/1964 Smith et al. .... 108/157.17  
D239,678 S \* 4/1976 Blake et al. .... D6/682  
D271,846 S \* 12/1983 Hernandez ..... D6/708  
D352,849 S \* 11/1994 D'Alessio ..... D6/682  
D476,177 S \* 6/2003 Hennessey ..... D6/708  
D504,805 S \* 5/2005 Sorkin ..... D14/224

D513,967 S \* 1/2006 Terrill ..... D8/356  
8,522,669 B1 \* 9/2013 Rolfes ..... B65D 85/8046  
426/132  
2004/0115317 A1 \* 6/2004 Doglioni ..... A47J 31/0673  
426/123  
2009/0117249 A1 \* 5/2009 Ozanne ..... A47J 31/3628  
426/590  
2012/0276255 A1 \* 11/2012 Verbeek ..... A47J 31/405  
426/112  
2014/0053735 A1 \* 2/2014 Verbeek ..... B65D 85/8043  
99/295  
2014/0150616 A1 \* 6/2014 Zanetti ..... A47J 31/44  
83/111

\* cited by examiner

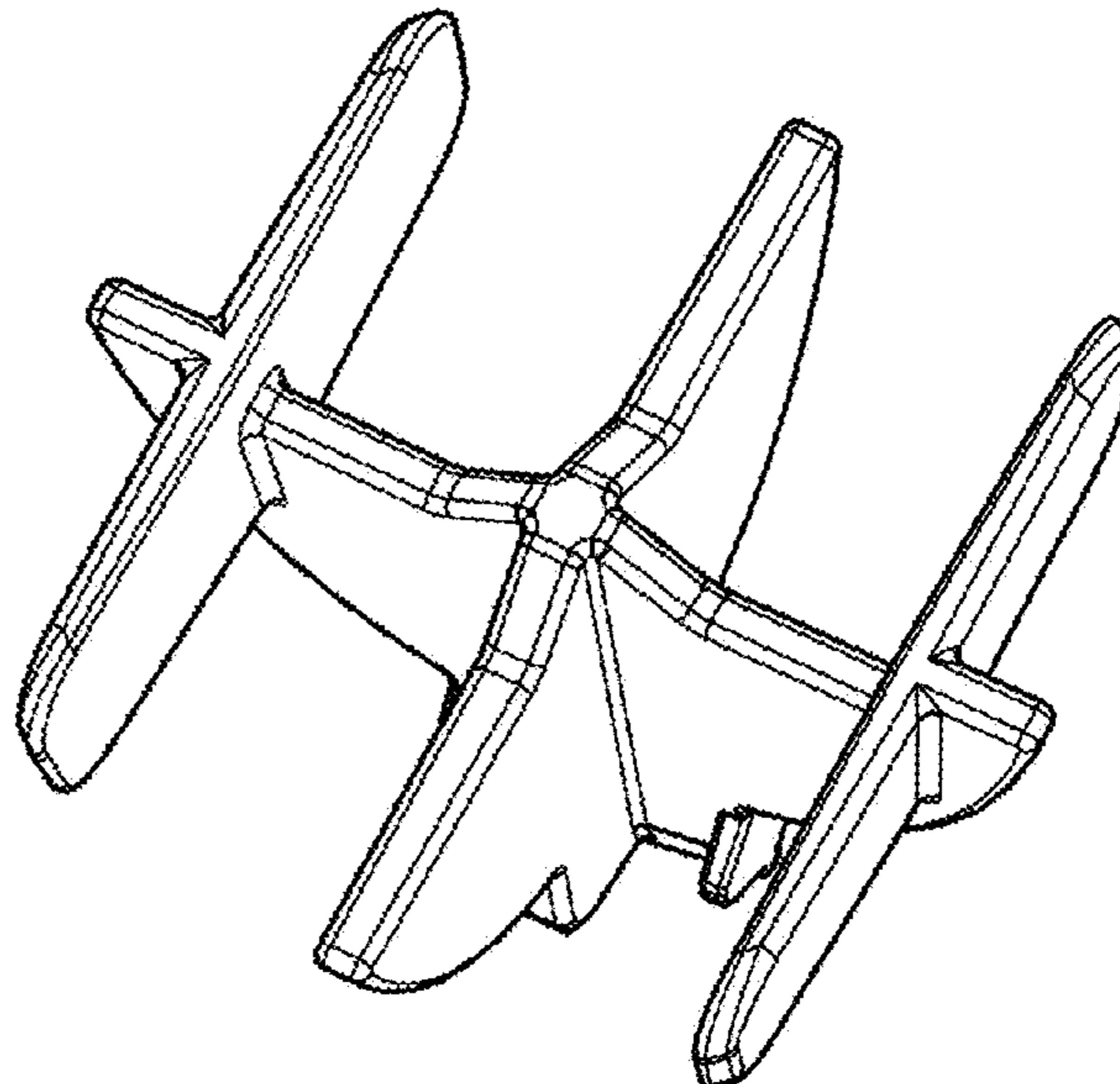
*Primary Examiner* — John Windmuller  
*Assistant Examiner* — Steven J Czyz  
(74) *Attorney, Agent, or Firm* — McDonald Hopkins LLC

(57) **CLAIM**  
The ornamental design for a pouring stand, as shown and described.

**DESCRIPTION**

FIG. 1 is a top perspective view of a pouring stand showing our new design;  
FIG. 2 is a bottom perspective view thereof;  
FIG. 3 is a top view thereof;  
FIG. 4 is a bottom view thereof;  
FIG. 5 is a front view thereof;  
FIG. 6 is a first side view thereof;  
FIG. 7 is a rear view thereof; and,  
FIG. 8 is a second side view thereof.

**1 Claim, 8 Drawing Sheets**



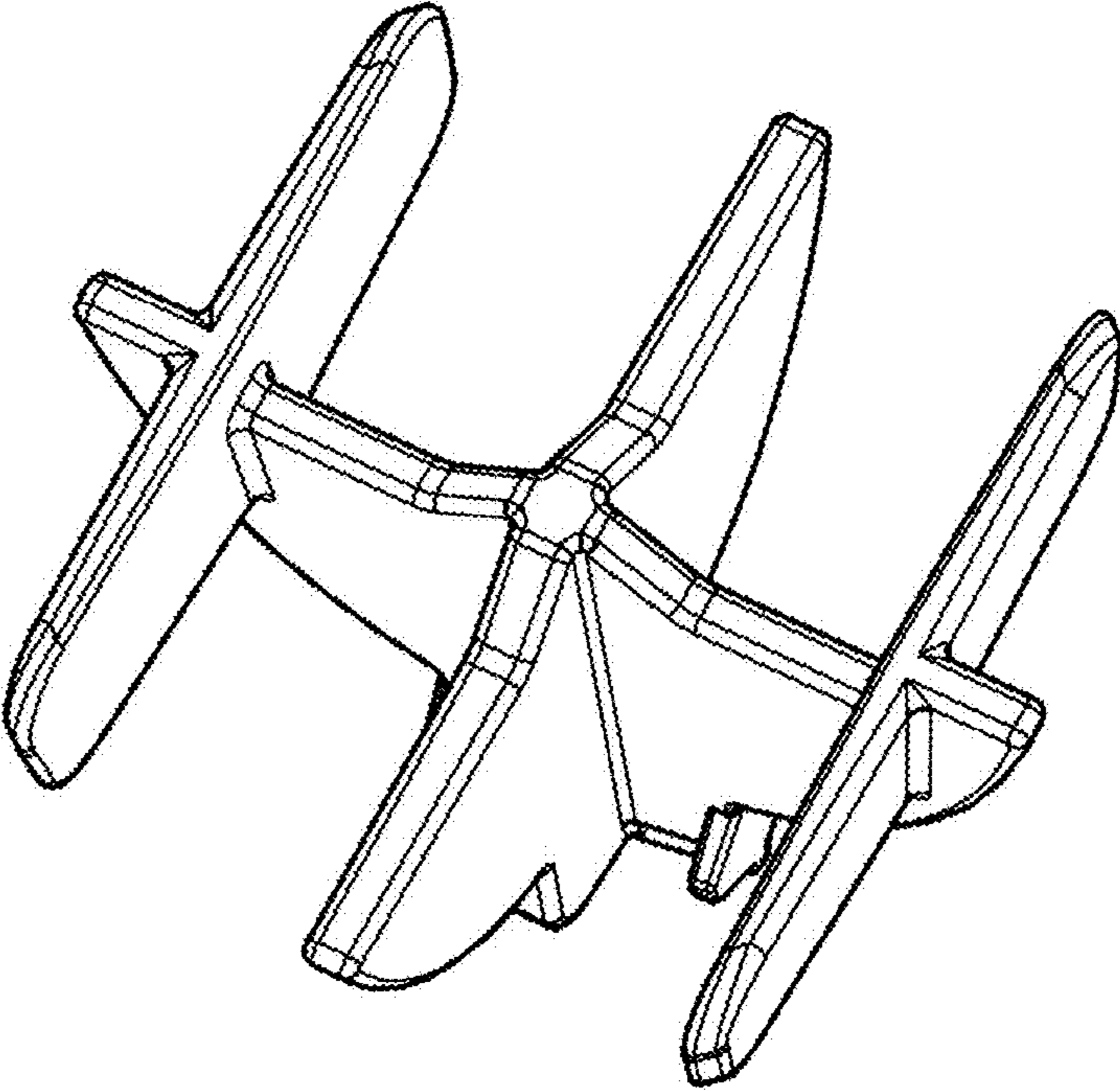


FIG. 1

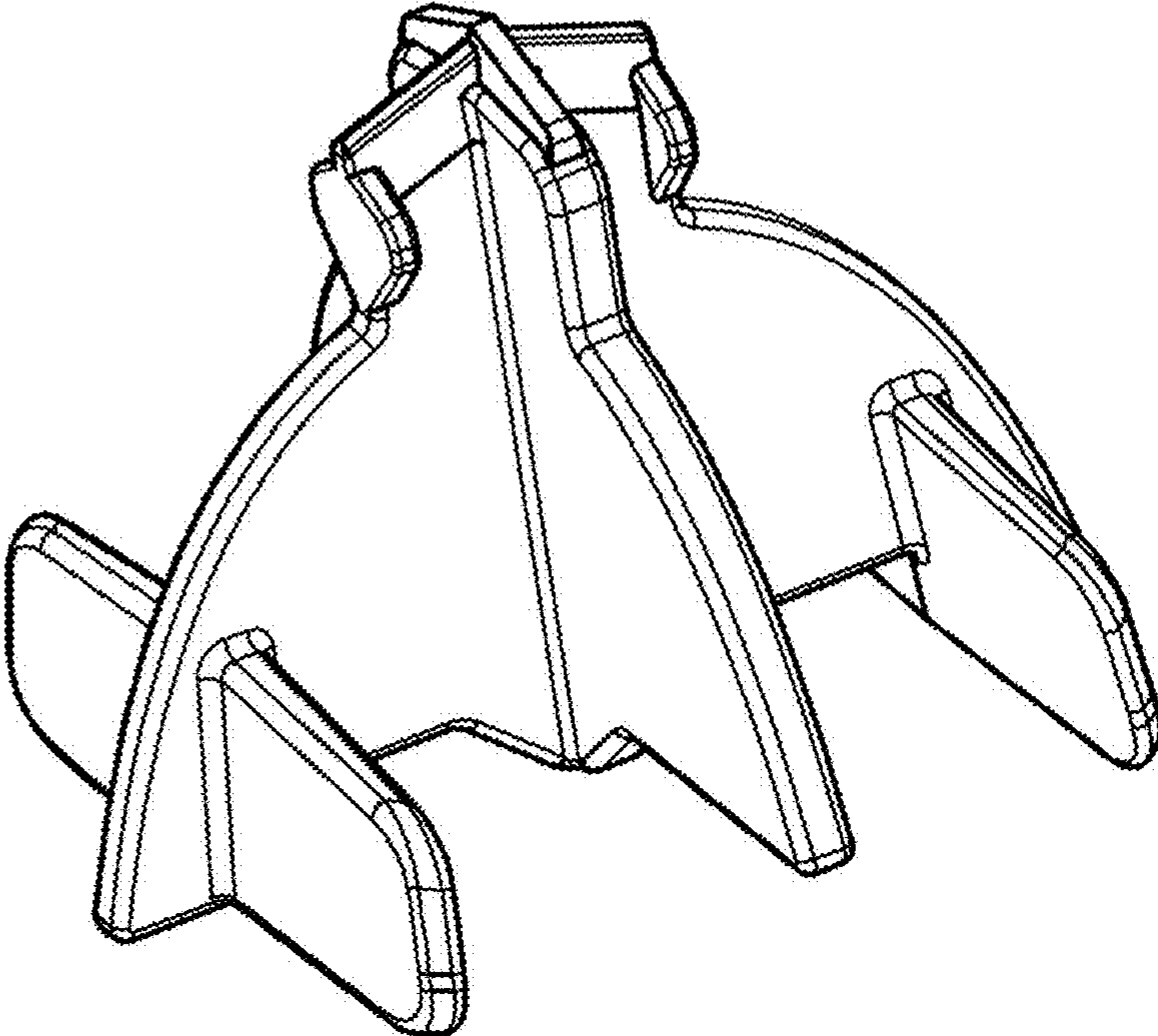


FIG. 2

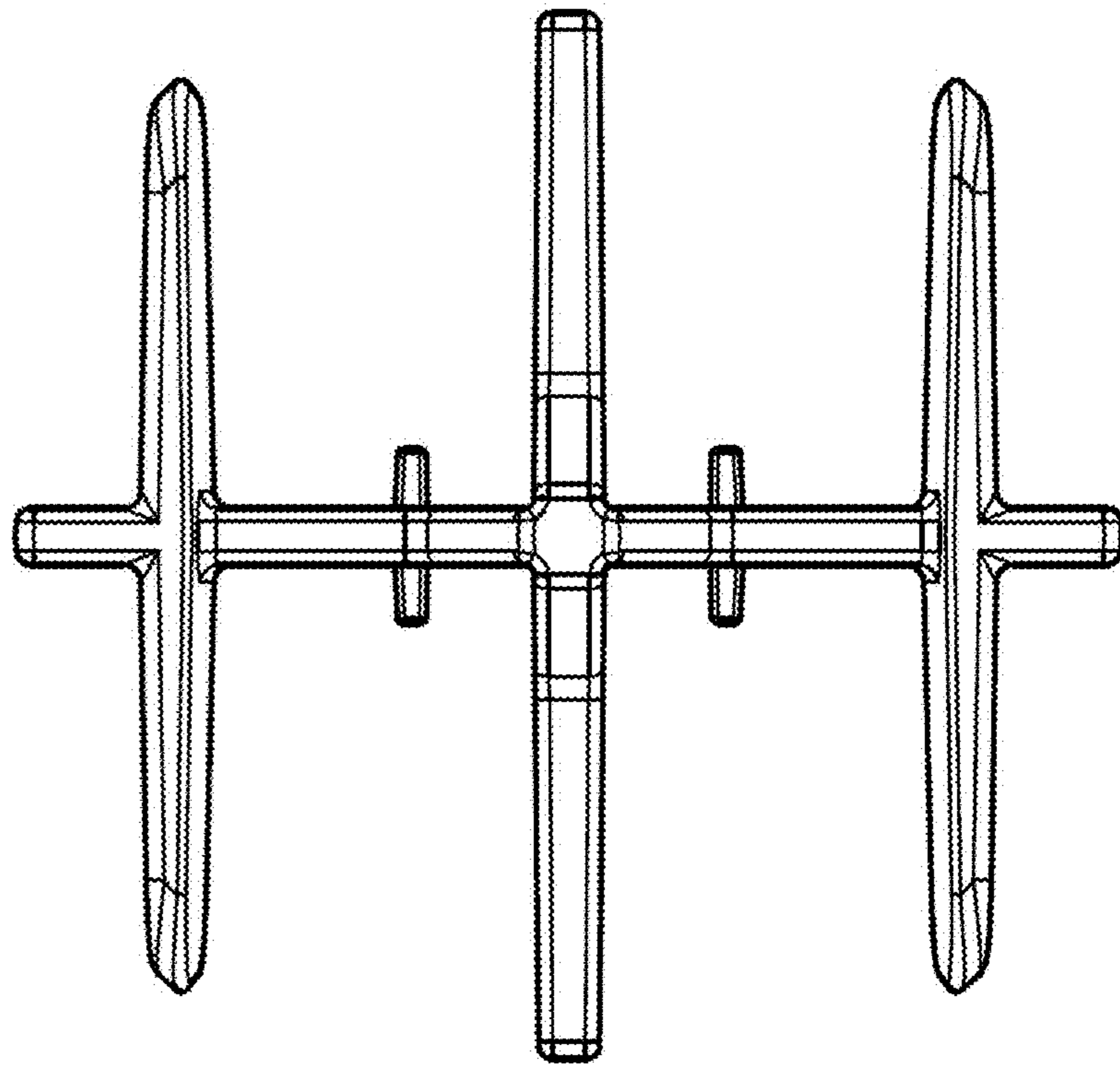


FIG. 3

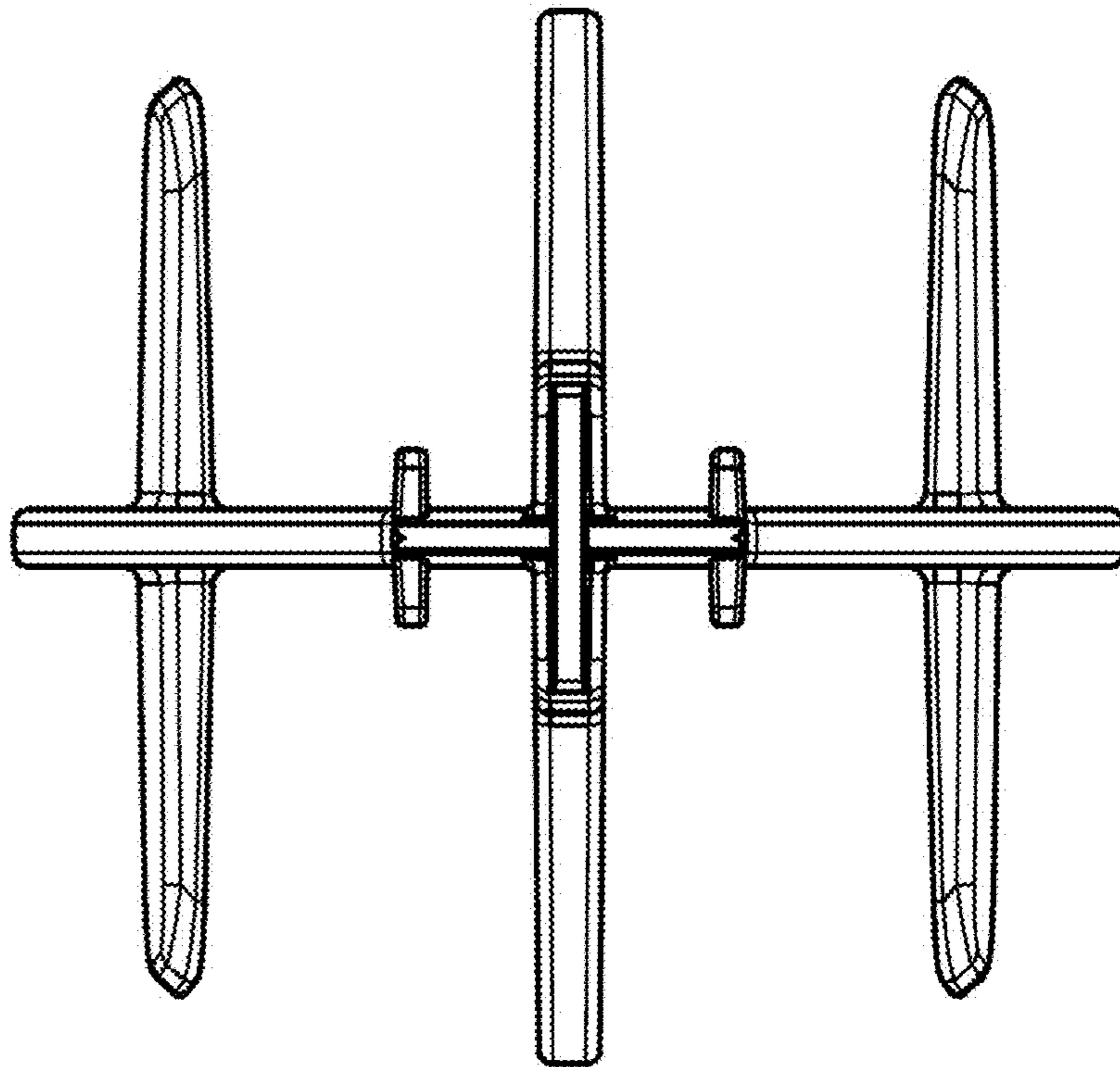


FIG. 4

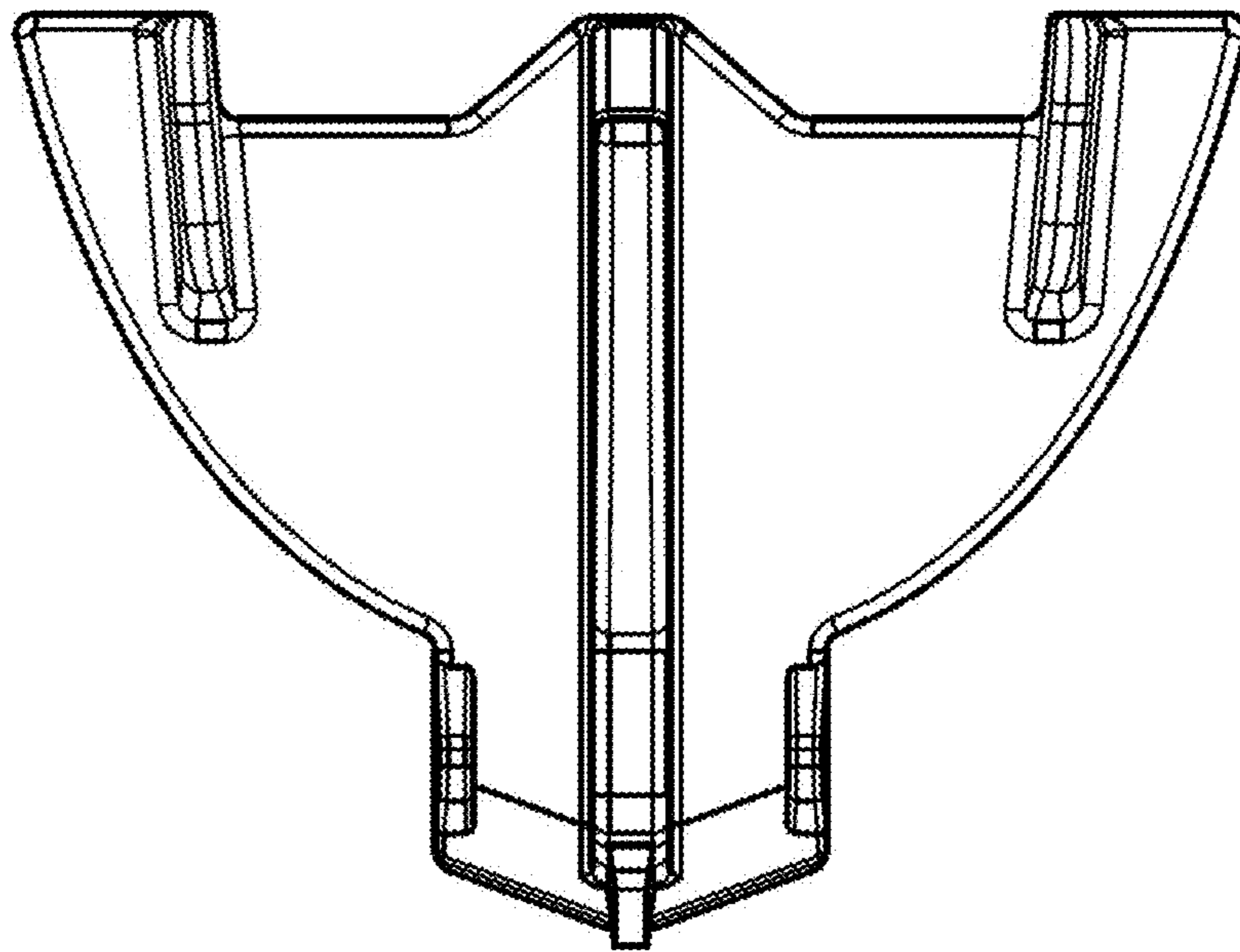


FIG. 5

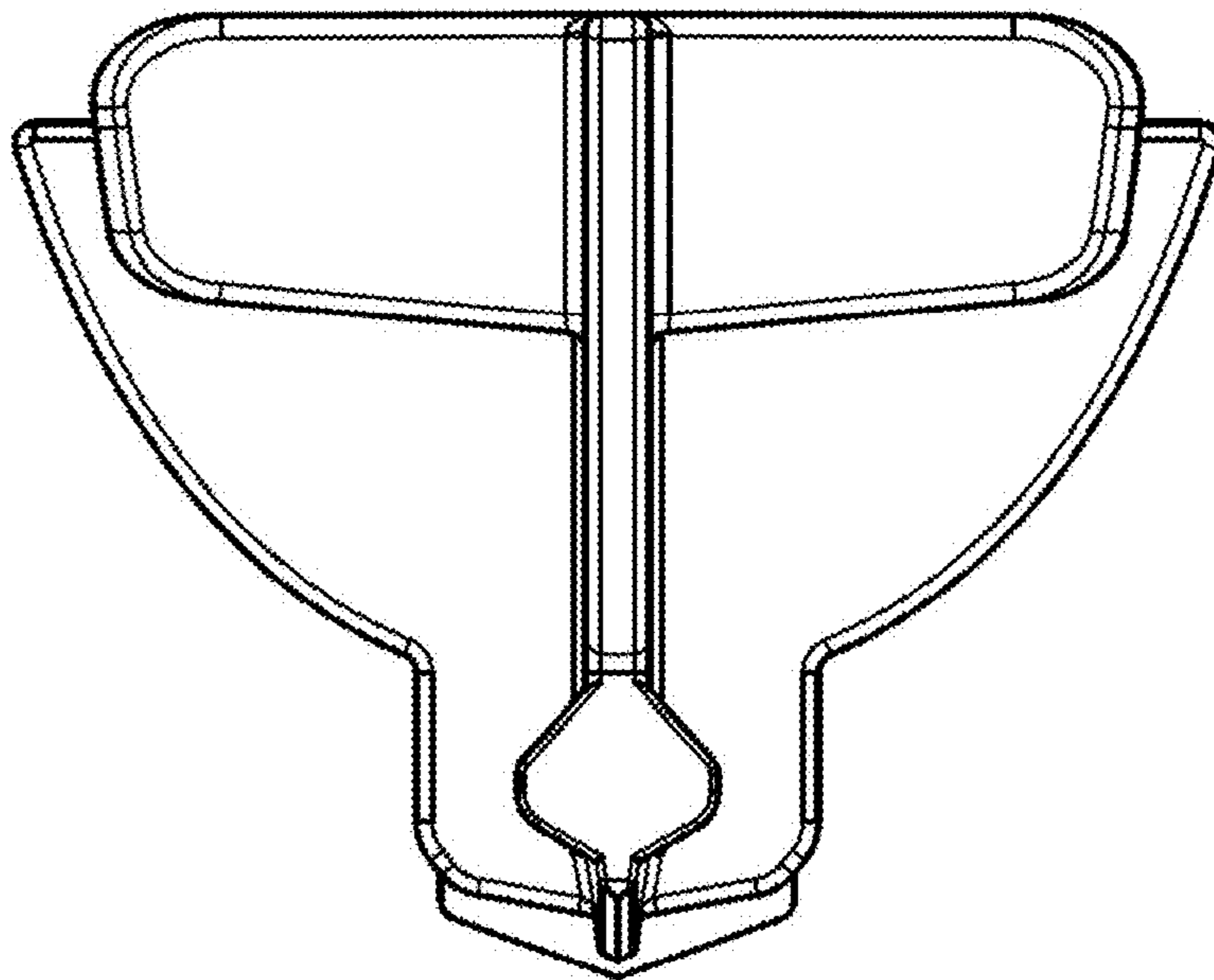


FIG. 6

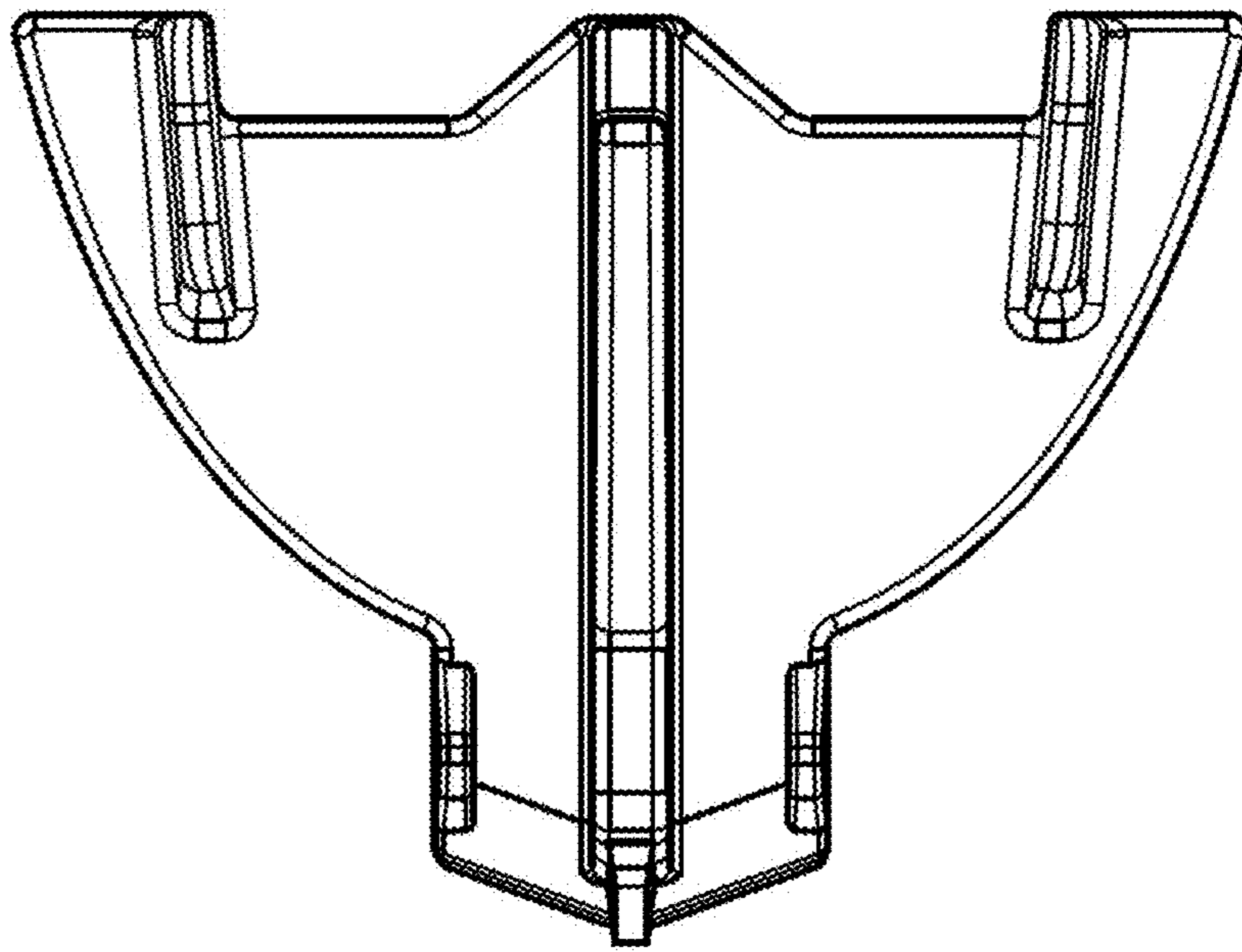


FIG. 7



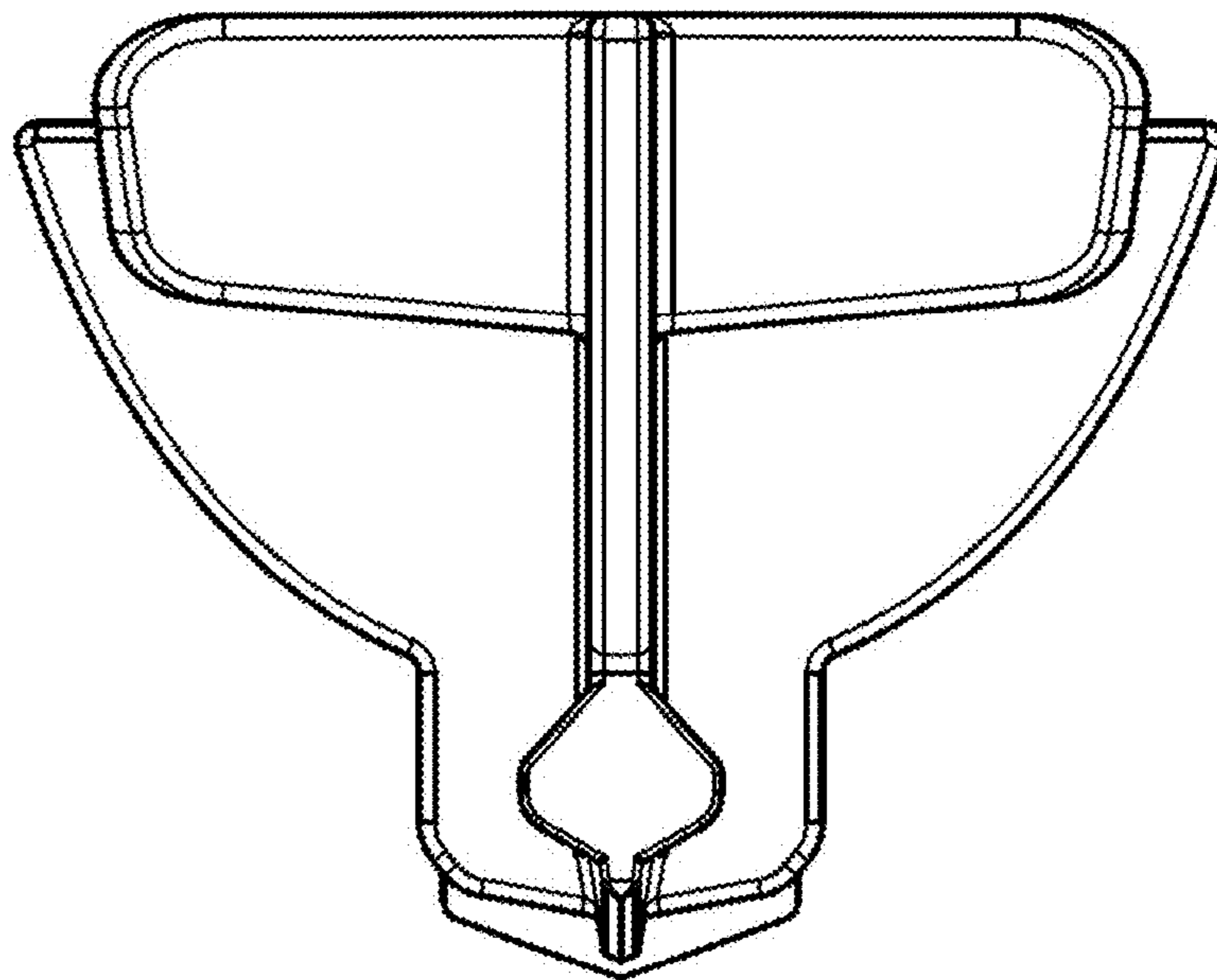


FIG. 8