



US00D827341S

(12) **United States Design Patent** (10) **Patent No.:** **US D827,341 S**
Hertaus et al. (45) **Date of Patent:** **** *Sep. 4, 2018**

- (54) **ROTATABLE MAKEUP CAROUSEL WITH DETACHABLE TRAYS**
- (71) Applicant: **Nifty Home Products, Inc.**, Madison Lake, MN (US)
- (72) Inventors: **Todd M. Hertaus**, New Market, MN (US); **Nick Teigland Teigland**, Mankato, MN (US)
- (73) Assignee: **Nifty Home Products, Inc.**, Madison Lake, MN (US)

D586,185 S	2/2009	Tiemann	
D609,057 S	2/2010	Hertaus	
D609,533 S	2/2010	Tiemann	
D617,124 S	6/2010	Snider	
D620,280 S	7/2010	Snider	
D621,640 S	8/2010	Tiemann	
D626,382 S	11/2010	Tiemann	
D629,655 S	12/2010	Tiemann	
D634,137 S *	3/2011	Chapman	D6/680.3
D634,933 S *	3/2011	Hertaus	D3/306
D634,978 S	3/2011	Tiemann	
D640,884 S	7/2011	Tiemann	
D648,600 S *	11/2011	Tiemann	D7/600.2
D744,289 S *	12/2015	Tiemann	D7/600.2

(*) Notice: This patent is subject to a terminal disclaimer.

(**) Term: **15 Years**

(21) Appl. No.: **29/566,041**

(22) Filed: **May 26, 2016**

(51) **LOC (11) Cl.** **06-04**

(52) **U.S. Cl.**
USPC **D6/680.3**; D28/73

(58) **Field of Classification Search**
USPC D6/680.3; D7/600.1–600.4; D28/73, 38
CPC A47F 5/01; A47F 5/02–5/025; A47F 5/04–5/06
See application file for complete search history.

(56) **References Cited**

U.S. PATENT DOCUMENTS

3,833,128 A *	9/1974	Sumner	A47F 5/0031 211/131.1
D314,294 S *	2/1991	Axhamre	D6/677.2
D323,945 S *	2/1992	Dardashti	D6/680.3
6,502,707 B1 *	1/2003	Sullivan	A47F 5/02 211/144
D527,205 S *	8/2006	Axhamre	D6/677.2
D536,936 S	2/2007	Tiemann	
D544,308 S *	6/2007	Tiemann	A47J 31/44 D7/590
D561,539 S *	2/2008	Snider	D7/600.2

(Continued)

OTHER PUBLICATIONS

Nifty Spinning Dual Level Large Organizer Carousel—p. 1—QVC.com, 9 pages, downloaded Dec. 4, 2017 (Year: 2017).*

Primary Examiner — Jennifer Rivard
(74) *Attorney, Agent, or Firm* — Nikolai & Mersereau, P.A.; Thomas J. Nikolai

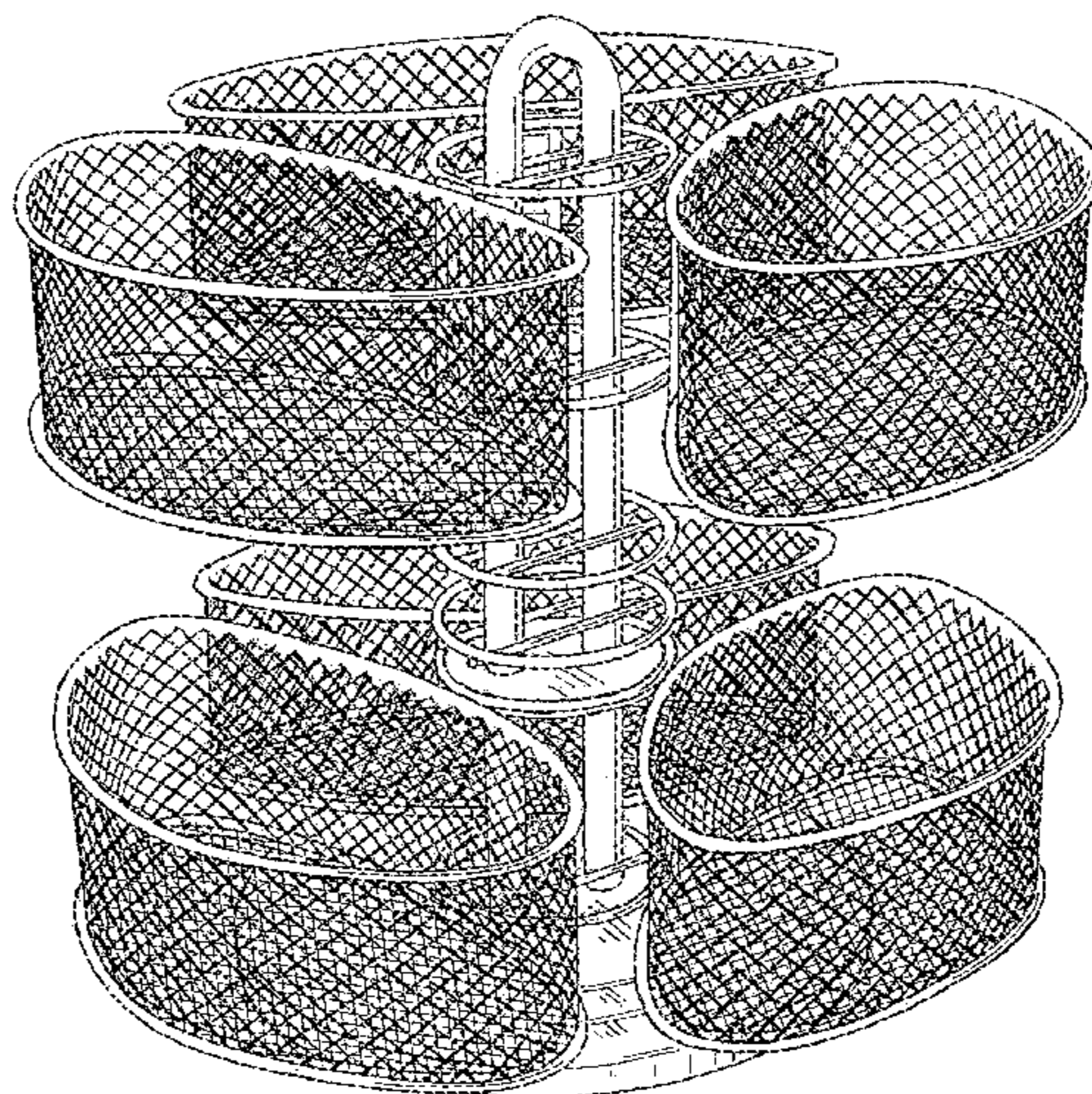
(57) **CLAIM**

The ornamental design for the “rotatable makeup carousel with detachable trays,” as shown and described.

DESCRIPTION

FIG. 1 is a perspective view of the rotatable makeup carousel with detachable trays;
FIG. 2 is a perspective view thereof showing one of the trays detached;
FIG. 3 is a front view thereof;
FIG. 4 is a left side view thereof;
FIG. 5 is a rear view thereof;
FIG. 6 is a right side view thereof;
FIG. 7 is a top view thereof; and,
FIG. 8 is a bottom view thereof.

1 Claim, 8 Drawing Sheets



(56)

References Cited

U.S. PATENT DOCUMENTS

D778,684 S * 2/2017 Hertaus D7/600.4
2007/0045206 A1 3/2007 Tiemann

* cited by examiner

FIG. 1

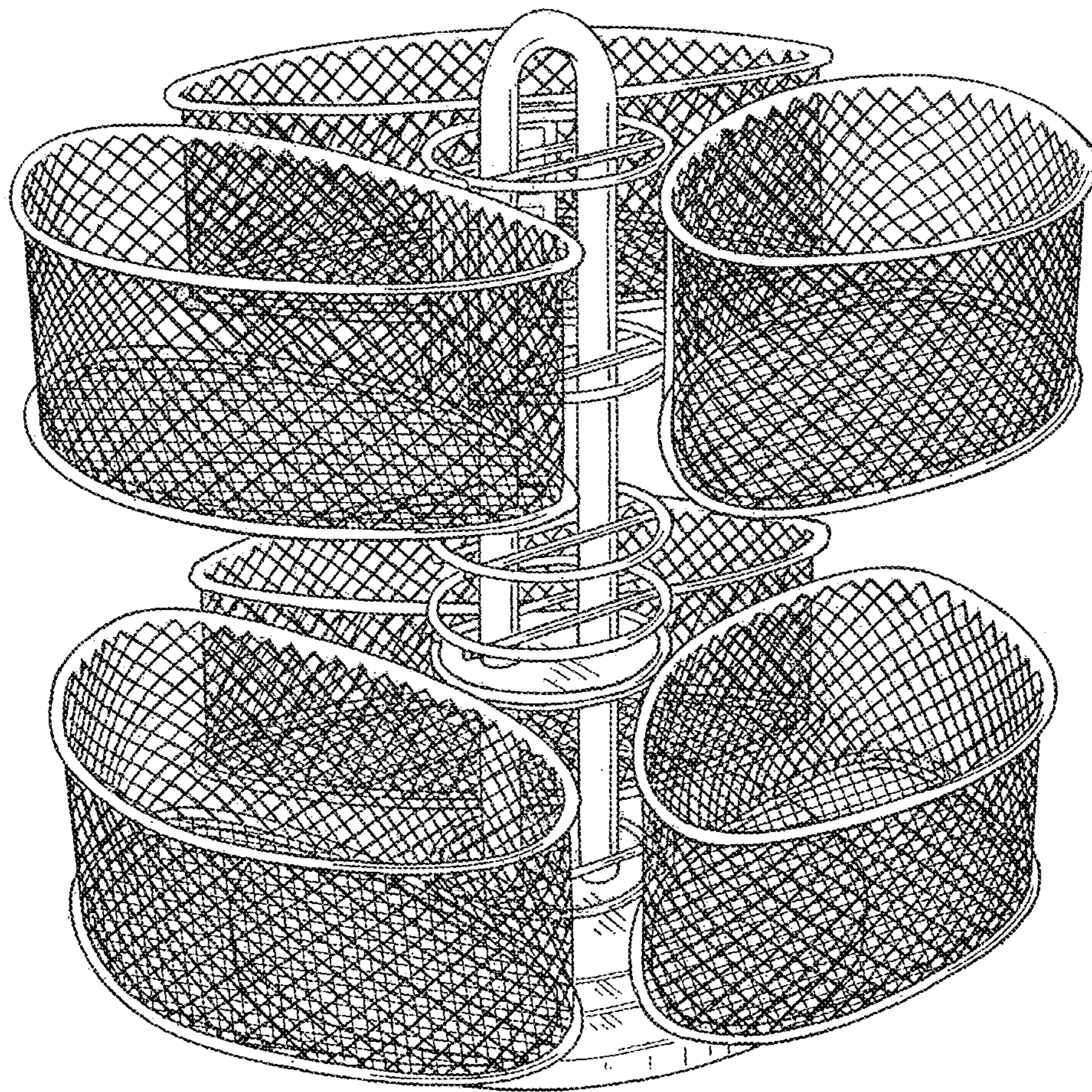


FIG. 2

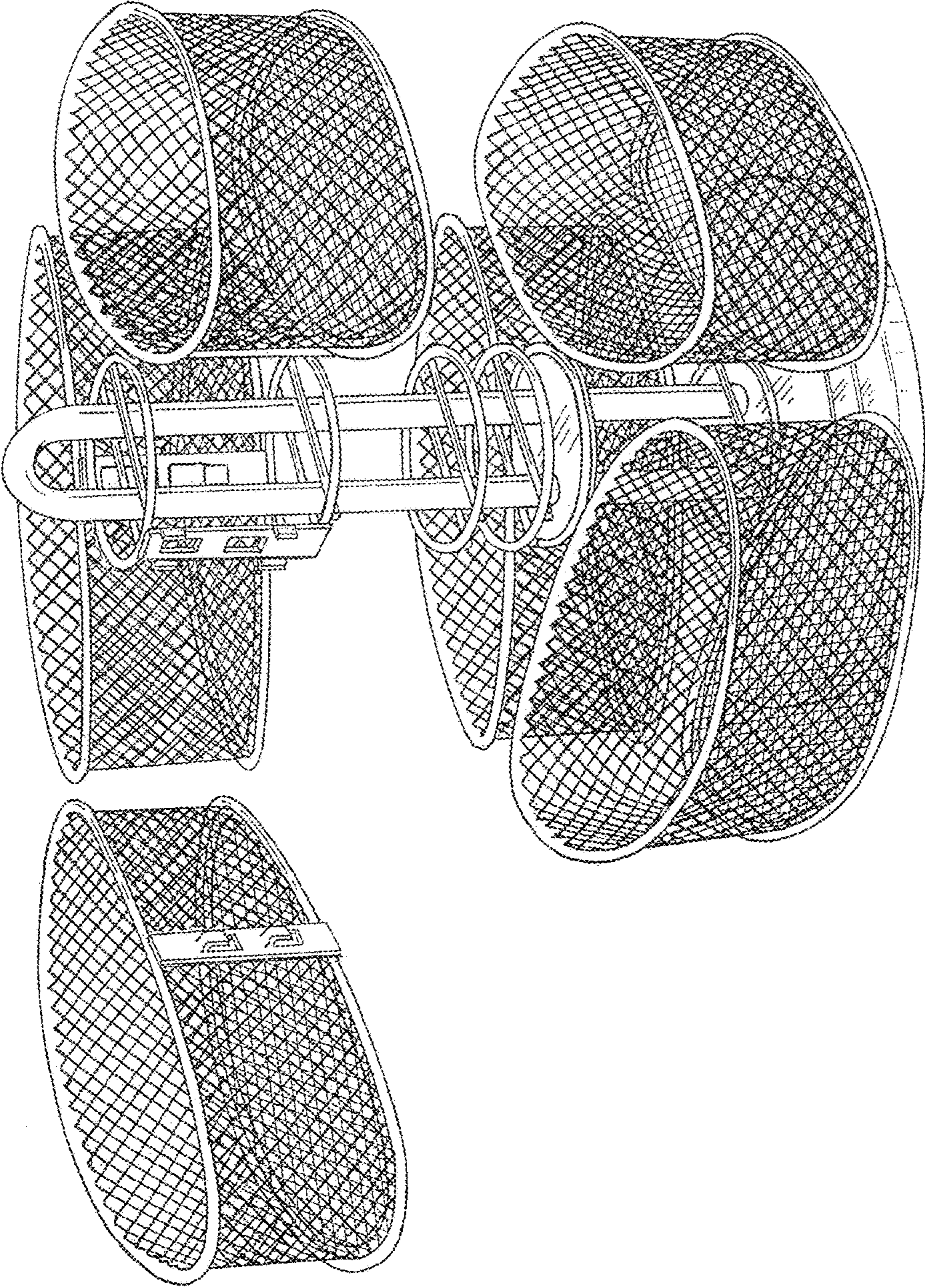


FIG. 3

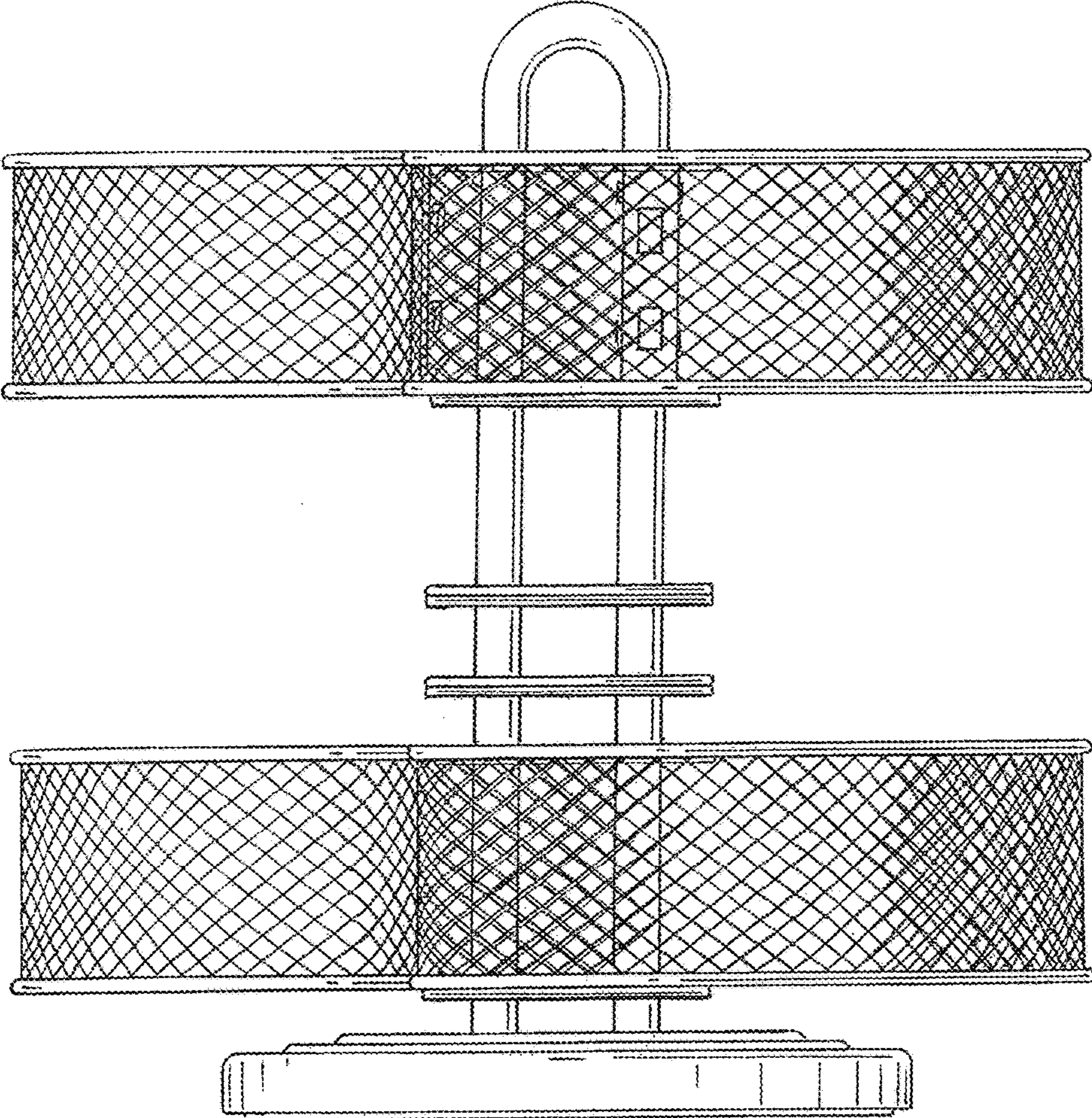


FIG. 4

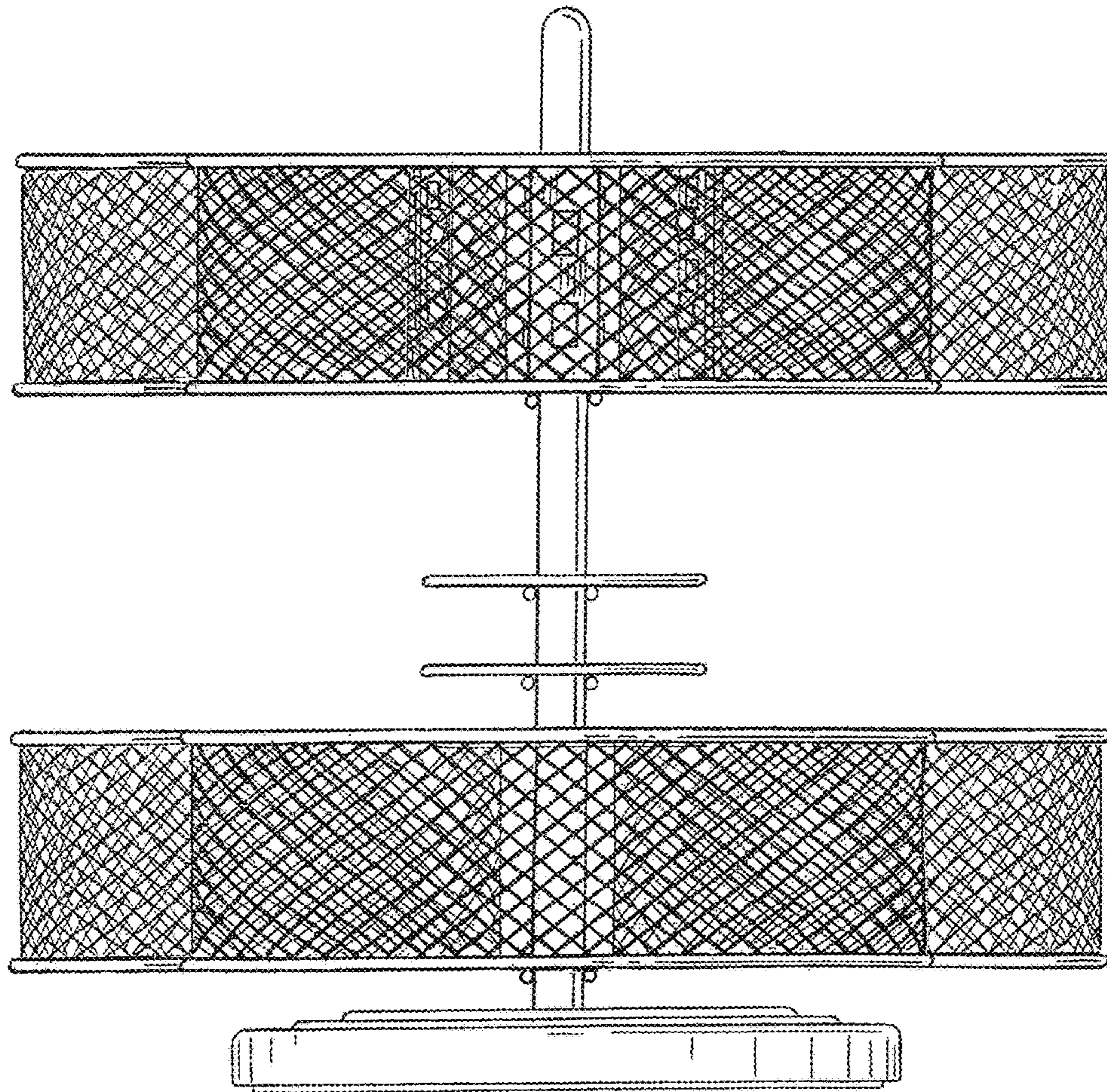


FIG. 5

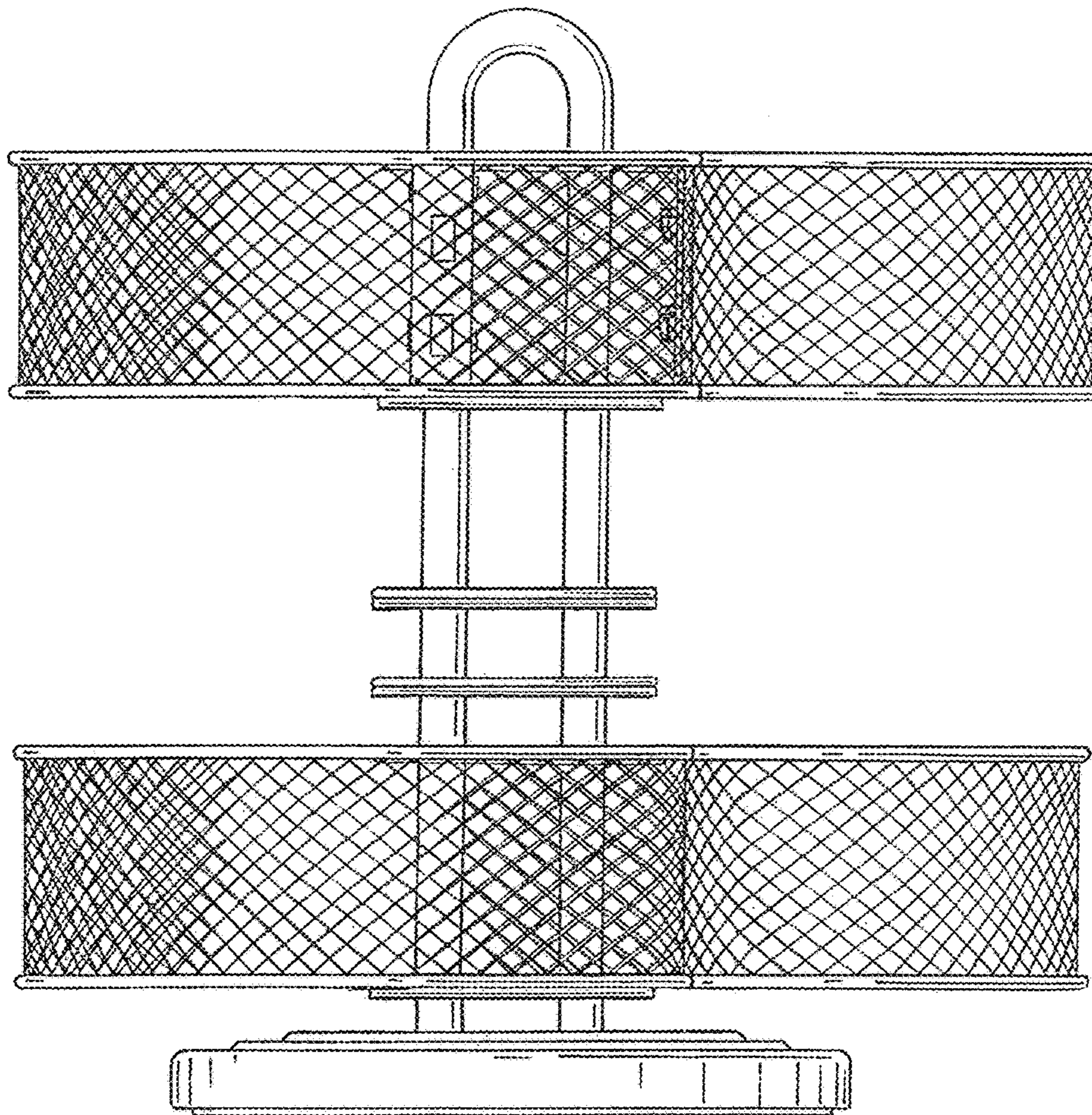


FIG. 6

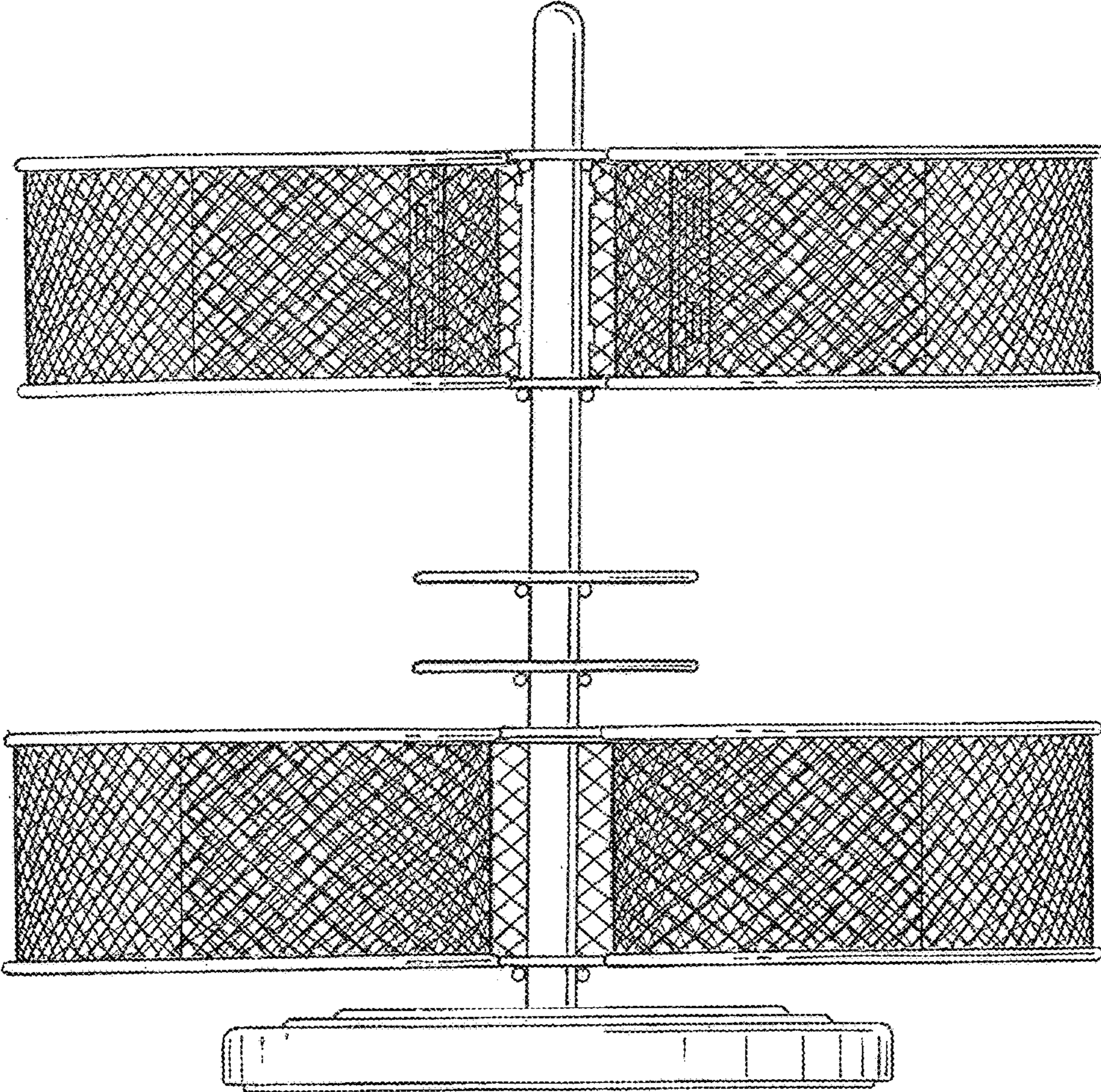


FIG. 7

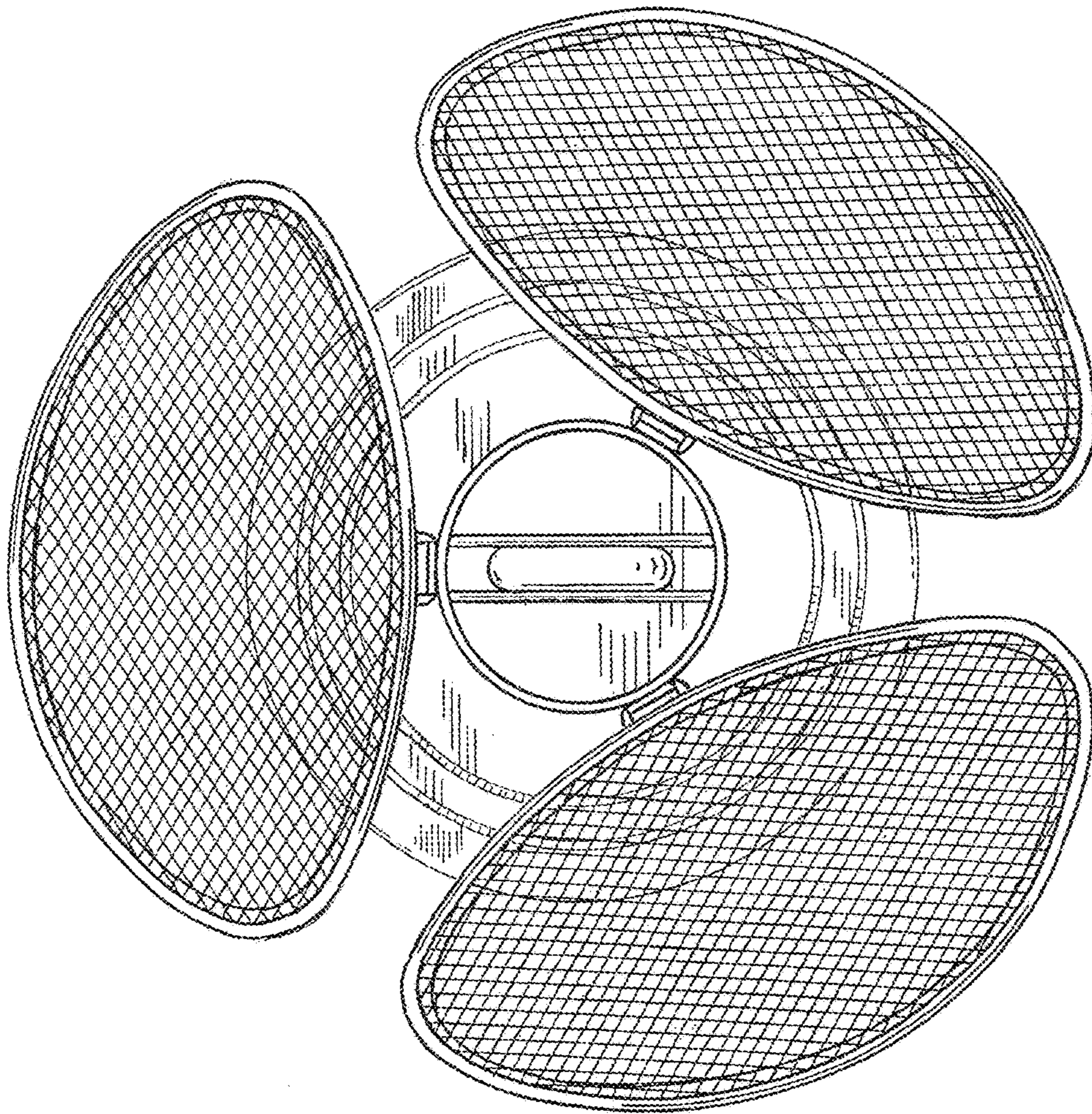


FIG. 8

