



US00D827339S

(12) **United States Design Patent** (10) **Patent No.:** **US D827,339 S**
Clark et al. (45) **Date of Patent:** **** Sep. 4, 2018**

- (54) **DISPLAY UNIT**
- (71) Applicant: **Target Brands, Inc.**, Minneapolis, MN (US)
- (72) Inventors: **Jeremy A. Clark**, Minneapolis, MN (US); **Erin L. Zobel**, Minneapolis, MN (US); **David H. Cheney**, New Brighton, MN (US)
- (73) Assignee: **Target Brands, Inc.**, Minneapolis, MN (US)
- (**) Term: **15 Years**
- (21) Appl. No.: **29/605,697**
- (22) Filed: **May 30, 2017**
- (51) **LOC (11) Cl.** **06-06**
- (52) **U.S. Cl.**
USPC **D6/675**
- (58) **Field of Classification Search**
USPC D6/349, 672, 675, 675.1, 684, 691;
211/31.1, 85.26, 85.31, 85.4, 33, 134,
211/186-191, 194, 181.1
CPC A47F 5/0018; A47F 5/0043; A47F 5/0081;
A47F 11/00
See application file for complete search history.

(56) **References Cited**

U.S. PATENT DOCUMENTS

1,154,692 A	9/1915	Dehullu	
1,422,246 A	7/1922	Adams	
1,747,691 A	2/1930	Bellows	
2,163,093 A	6/1939	Jenkins	
2,184,677 A	12/1939	McKay	
2,673,772 A	3/1954	Beasley	
2,799,548 A	7/1957	Arden	
D181,730 S *	12/1957	Jones et al.	D6/349
D188,462 S	7/1960	Haye	

D230,232 S	2/1974	Howard et al.	
4,011,821 A	3/1977	Neal	
D245,949 S *	10/1977	Amey	D6/349
4,574,709 A	3/1986	Lackey et al.	
4,706,824 A	11/1987	Mercer et al.	
5,158,187 A	10/1992	Taub	
6,637,350 B2	10/2003	McKsymick	
7,975,627 B2	7/2011	Leng	
D642,820 S *	8/2011	Andersen	D6/381
D649,192 S *	11/2011	Beukema	D19/75
8,146,517 B1	4/2012	Masser et al.	
8,245,650 B1	8/2012	McKsymick	
D685,198 S *	7/2013	Arko	D6/349
D699,956 S *	2/2014	Beucler	D6/349
D720,142 S *	12/2014	Nigro	D6/349
D769,654 S *	10/2016	Akana	D6/691
D783,324 S *	4/2017	Akana	D6/691.1
D790,262 S *	6/2017	Akana	D6/691
D800,460 S *	10/2017	Rockwell	D6/349
D806,457 S *	1/2018	Shemer	D6/691

(Continued)

Primary Examiner — Kelley Donnelly

(74) *Attorney, Agent, or Firm* — Leanne Taveggia Farrell; Westman, Champlin & Koehler P.A.

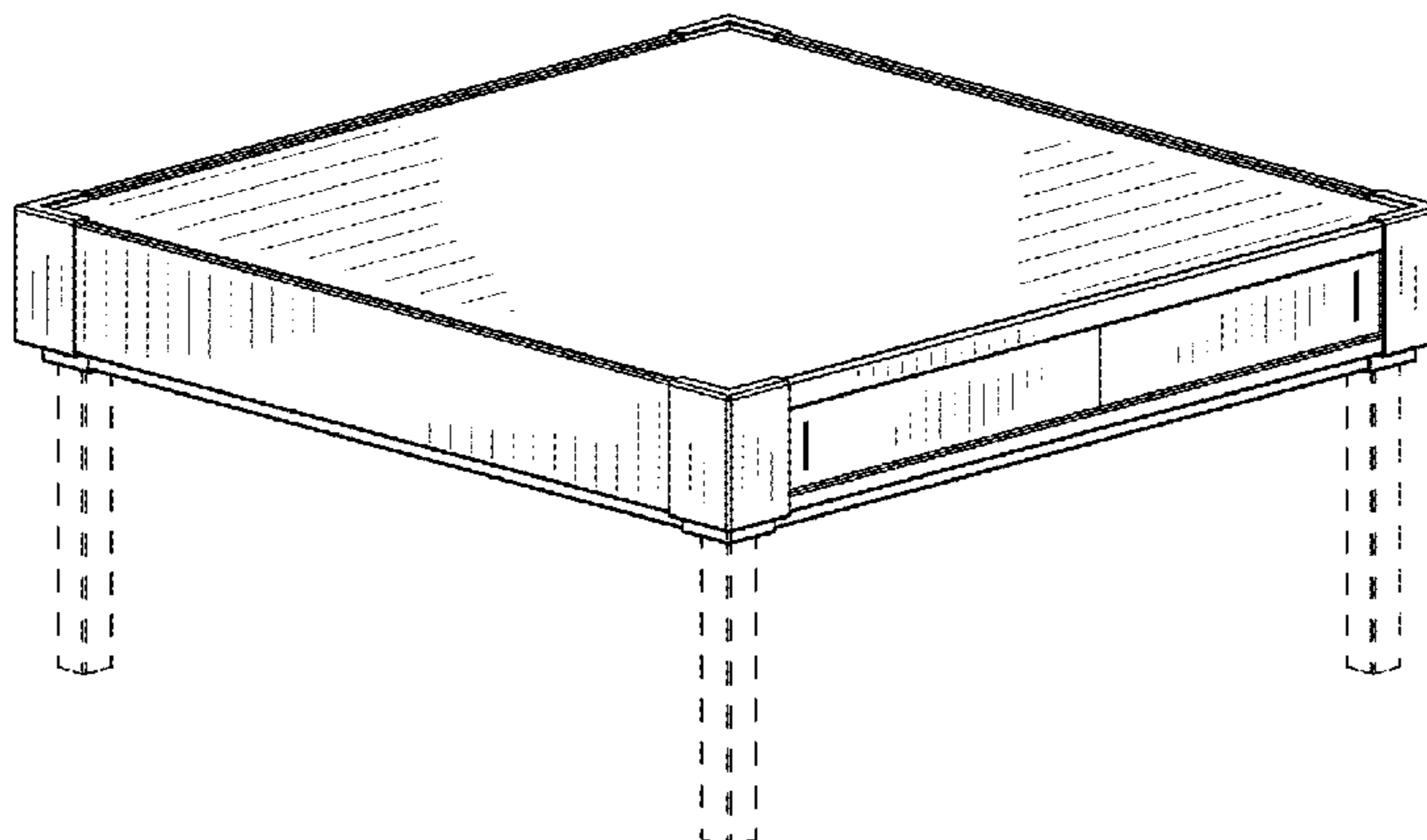
(57) **CLAIM**

The ornamental design for a display unit, as shown and described.

DESCRIPTION

FIG. 1 is a perspective view of a display unit showing our new design;
 FIG. 2 is a top view thereof;
 FIG. 3 is a bottom view thereof;
 FIG. 4 is a back view thereof, the right side view and the left side view being identical; and,
 FIG. 5 is a front view thereof.
 The broken lines shown in the drawings are included for purposes of illustrating portions of the display unit and form no part of the claimed design.

1 Claim, 4 Drawing Sheets



(56)

References Cited

U.S. PATENT DOCUMENTS

2008/0072802 A1 3/2008 de Oliveira
2011/0012392 A1 1/2011 Herschler

* cited by examiner

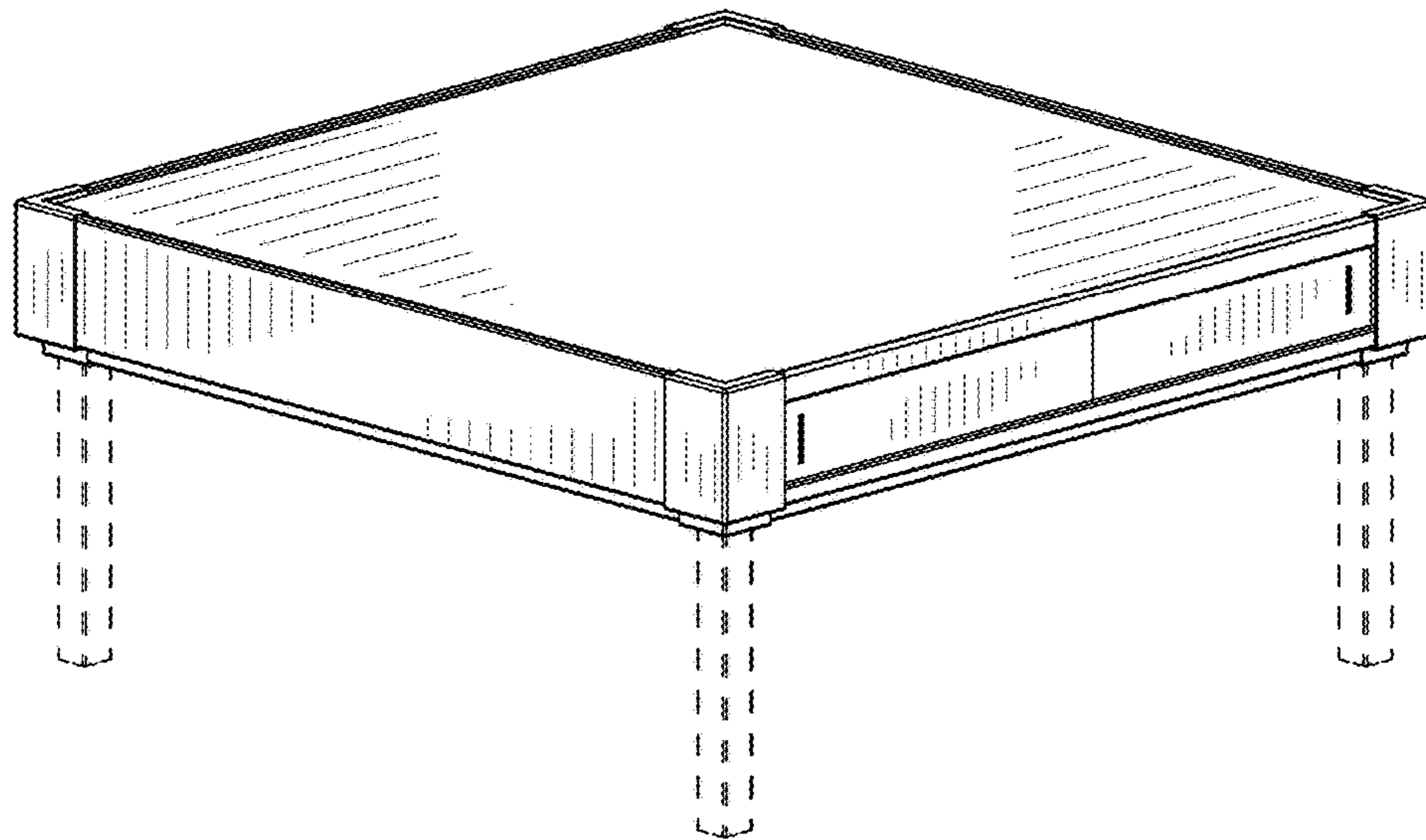


Fig. 1

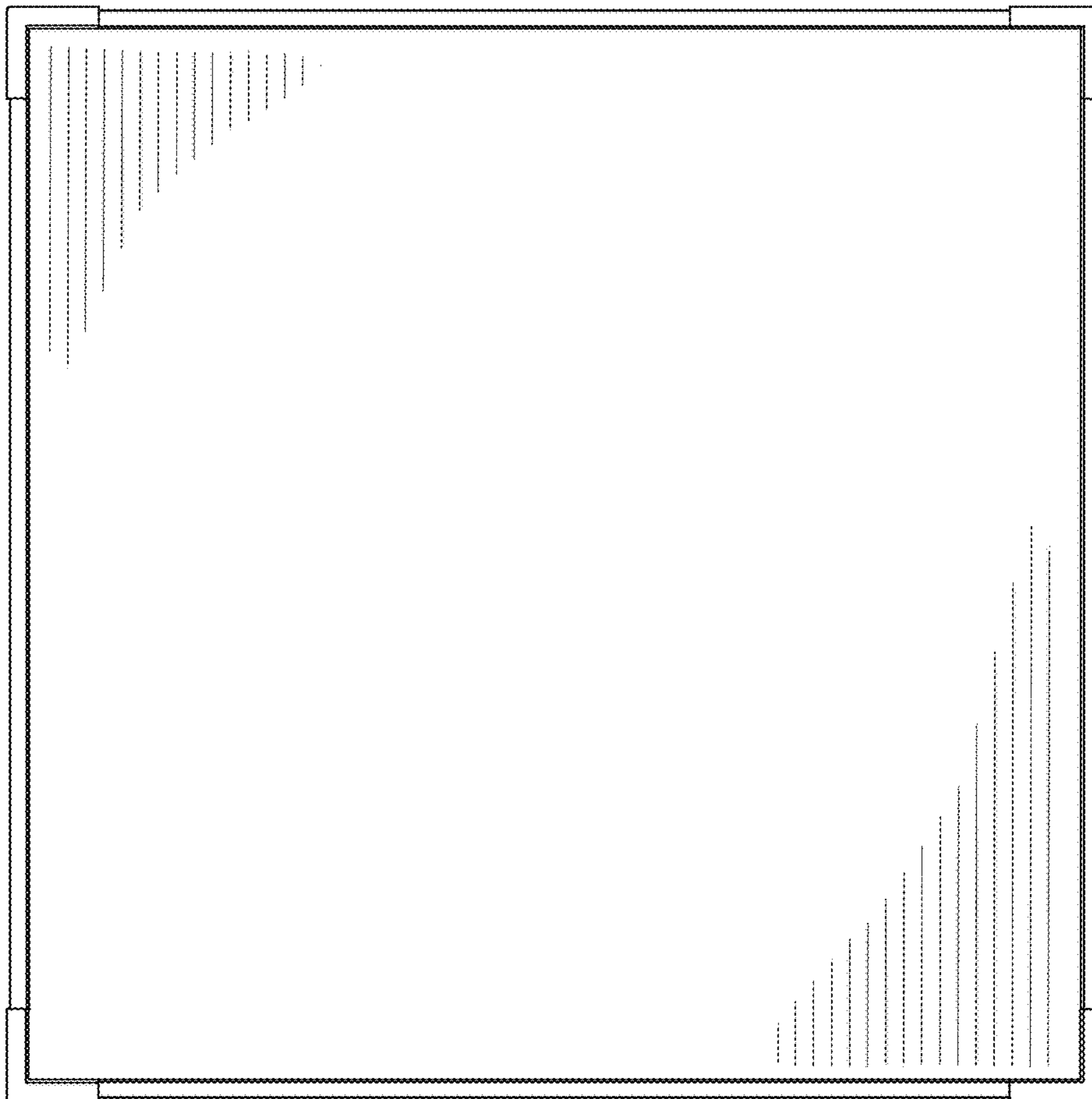


Fig. 2

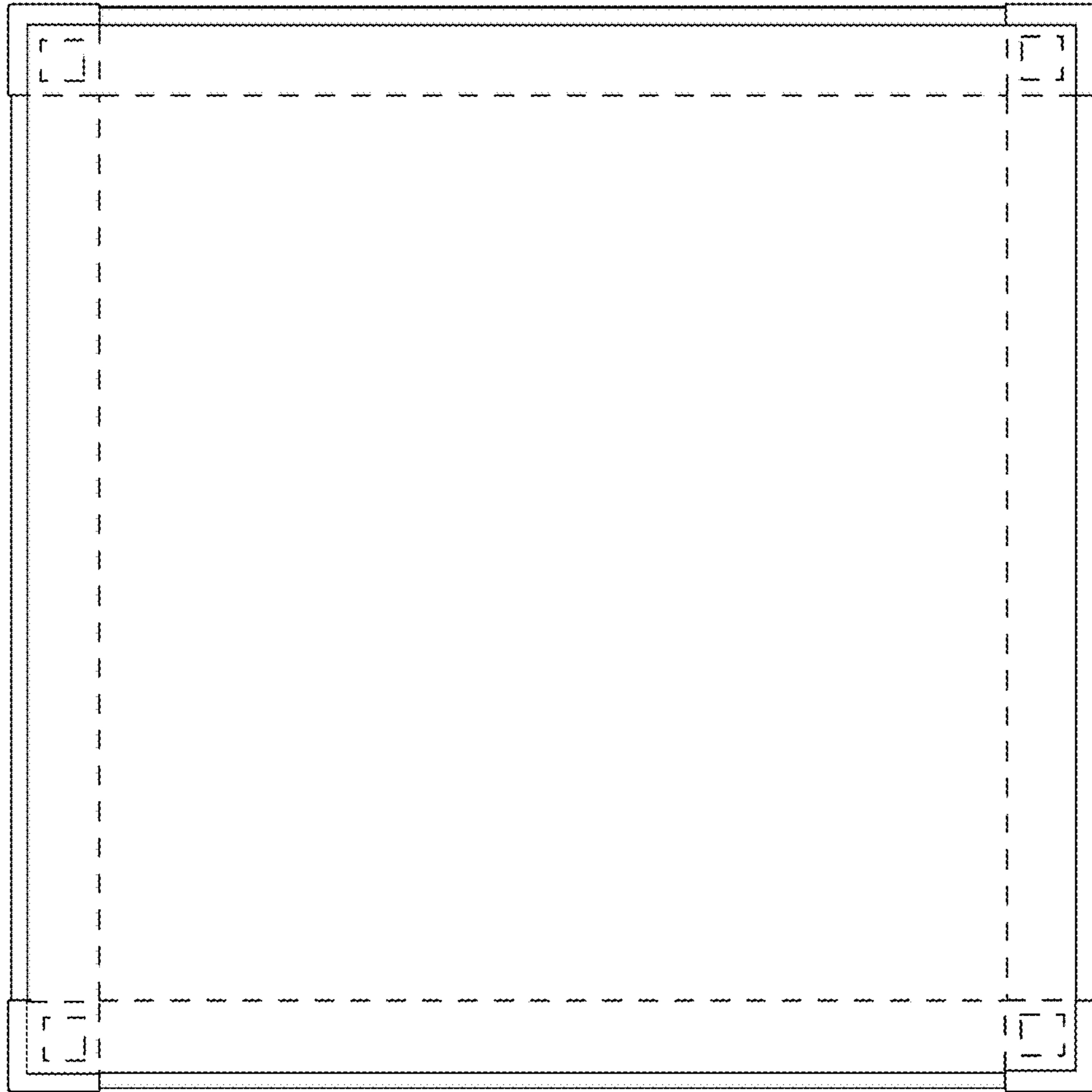


Fig. 3

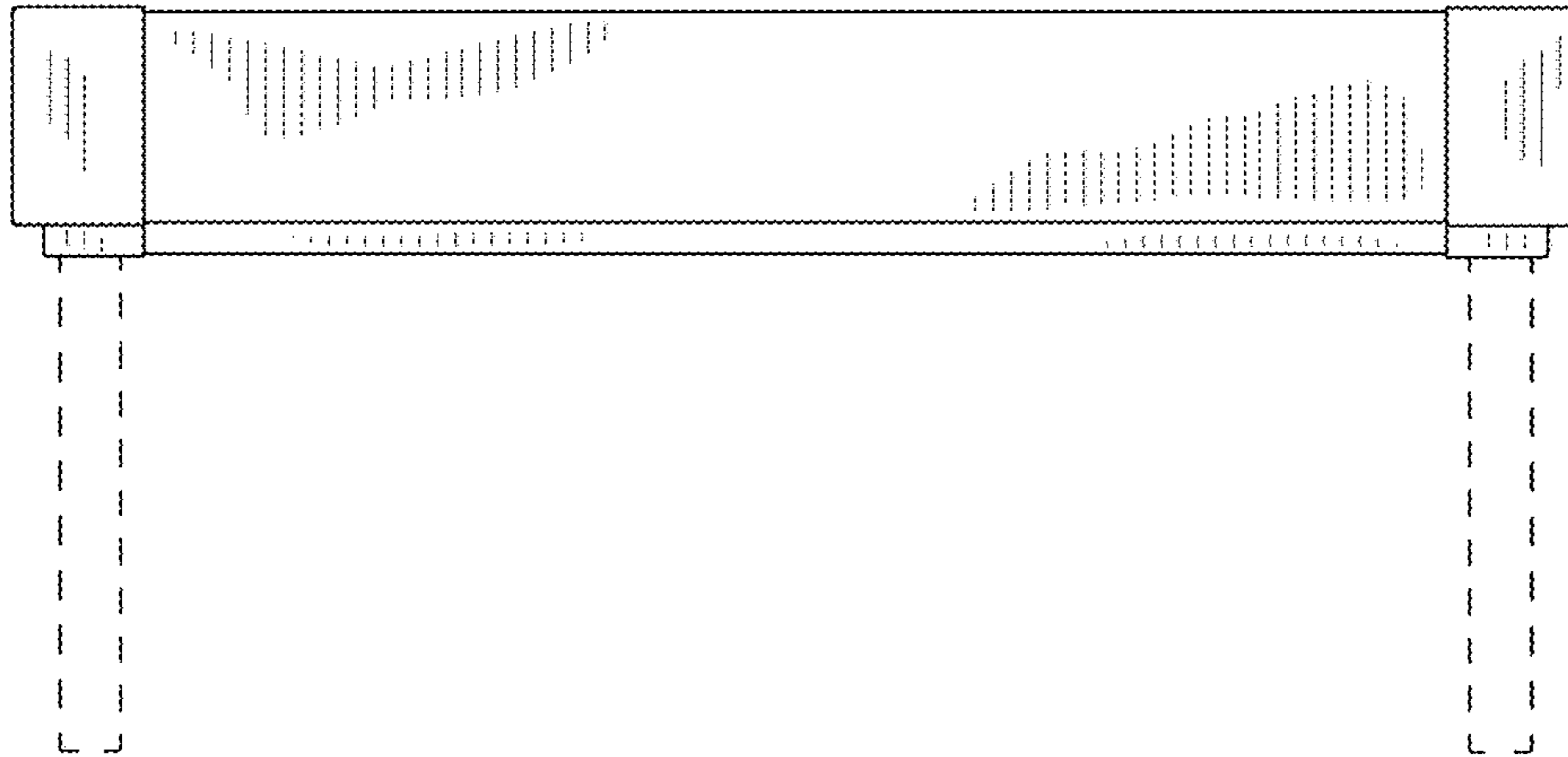


Fig. 4

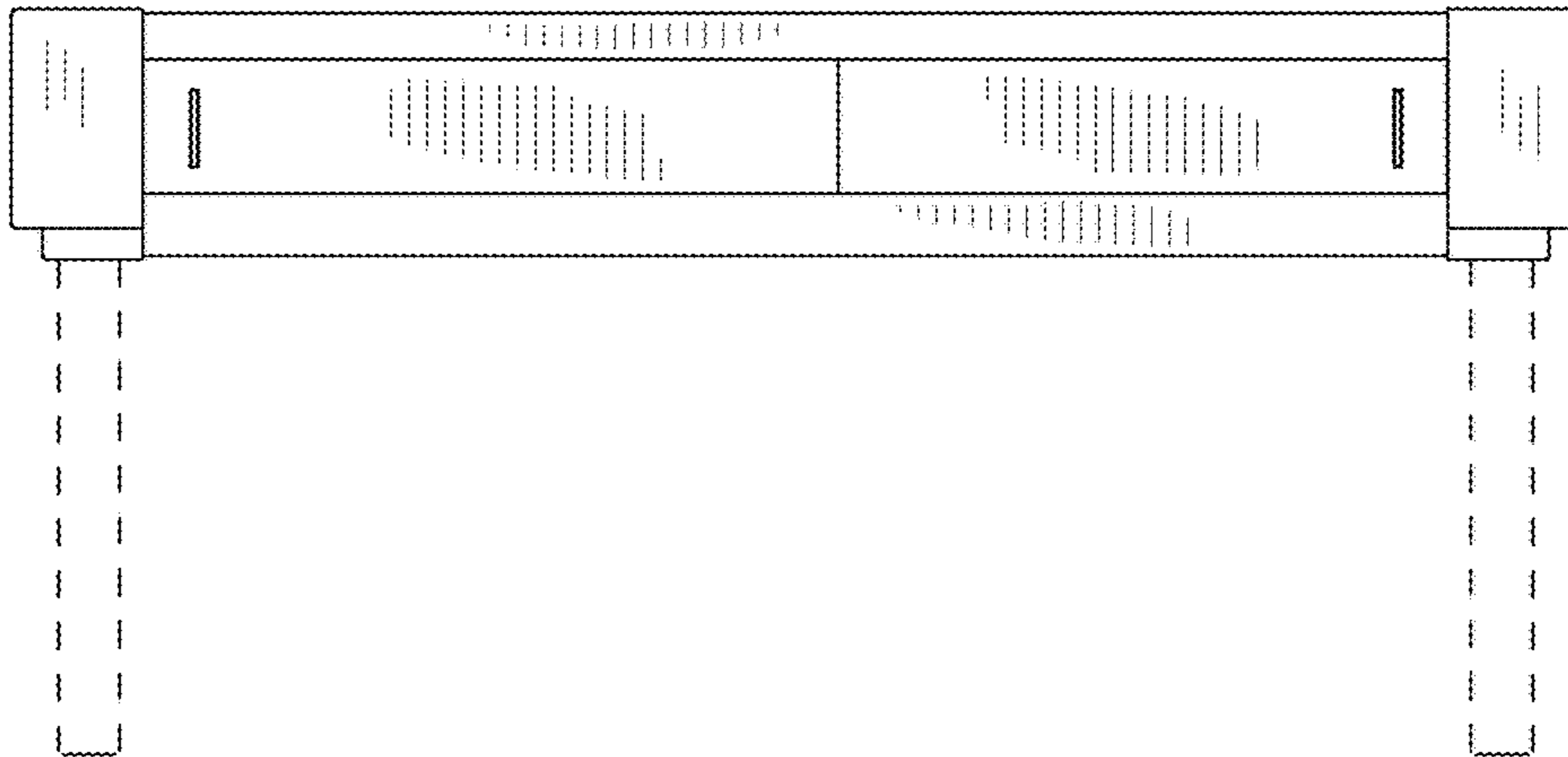


Fig. 5