



US00D827337S

(12) **United States Design Patent**
Herring et al.

(10) **Patent No.:** **US D827,337 S**

(45) **Date of Patent:** **** Sep. 4, 2018**

(54) **COMPUTER DESK**

(71) Applicant: **Spindle 360, Inc.**, Georgetown, TX (US)

(72) Inventors: **Jason Herring**, Georgetown, TX (US);
Shane Gilbreath, Georgetown, TX (US)

(73) Assignee: **Spindle 360, Inc.**, Georgetown, TX (US)

(**) Term: **15 Years**

(21) Appl. No.: **29/557,166**

(22) Filed: **Mar. 7, 2016**

(51) **LOC (11) Cl.** **06-03**

(52) **U.S. Cl.**
USPC **D6/641**

(58) **Field of Classification Search**
USPC D6/641, 656, 698, 656.15; D24/234
CPC A47B 3/00; A47B 9/20; A47B 9/00; A47B 9/12; A47B 21/00; A47B 21/02; A47B 21/04; A47B 2023/049; A47B 2097/005; A47B 2200/0041

See application file for complete search history.

(56) **References Cited**

U.S. PATENT DOCUMENTS

D716,074 S * 10/2014 Kitajima D6/654.21
D743,718 S * 11/2015 Tempas D6/655
D769,881 S * 10/2016 Lazzi D14/452
9,504,316 B1 * 11/2016 Streicher A47B 21/02
2010/0303603 A1 * 12/2010 Galante A47B 97/00
414/811

2012/0119040 A1* 5/2012 Ergun A47B 21/02
248/126
2012/0187056 A1* 7/2012 Hazzard A47B 21/02
211/26
2013/0126682 A1* 5/2013 Tholkes F16M 11/046
248/125.8
2013/0139736 A1* 6/2013 Flaherty A47B 9/18
108/106
2013/0307237 A1* 11/2013 Chen A61G 12/001
280/35
2015/0159804 A1* 6/2015 Bowman F16M 11/045
248/122.1
2016/0073779 A1* 3/2016 Ringlein A47B 87/002
108/28
2016/0278514 A1* 9/2016 Maas A47B 9/00

* cited by examiner

Primary Examiner — Rosemary K Tarcza

Assistant Examiner — Alison M Ofstun

(74) *Attorney, Agent, or Firm* — Kevin Keener; Keener and Associates P.C.

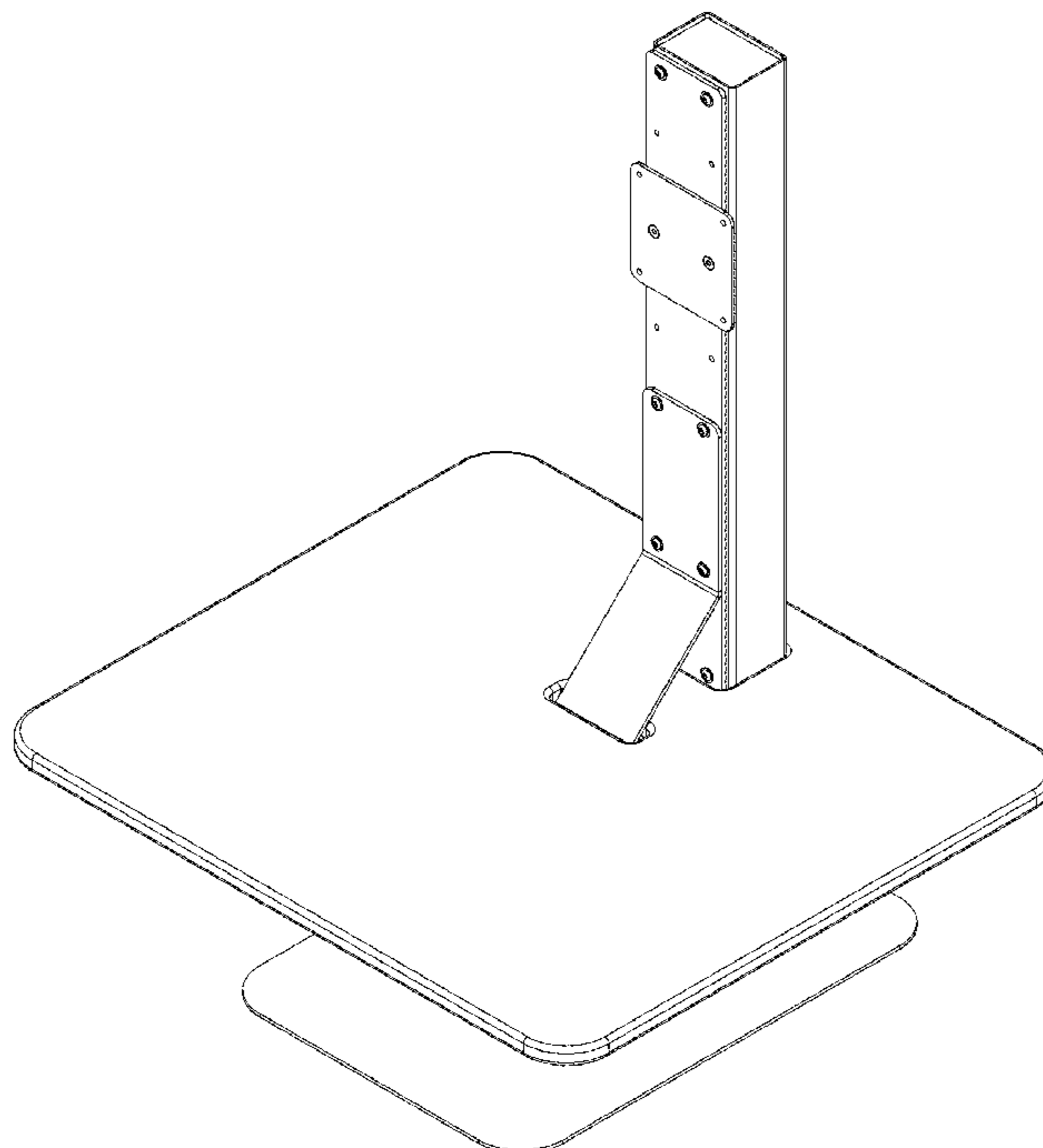
(57) **CLAIM**

The ornamental design for a computer desk, as shown and described.

DESCRIPTION

FIG. 1 is a front perspective view of a computer desk;
FIG. 2 is a front elevation view thereof;
FIG. 3 is a rear elevation view thereof;
FIG. 4 is a top plan view thereof;
FIG. 5 is a bottom plan view thereof;
FIG. 6 is a left side elevation view thereof;
FIG. 7 is a right side elevation view thereof; and,
FIG. 8 is an exploded front perspective view thereof.

1 Claim, 8 Drawing Sheets



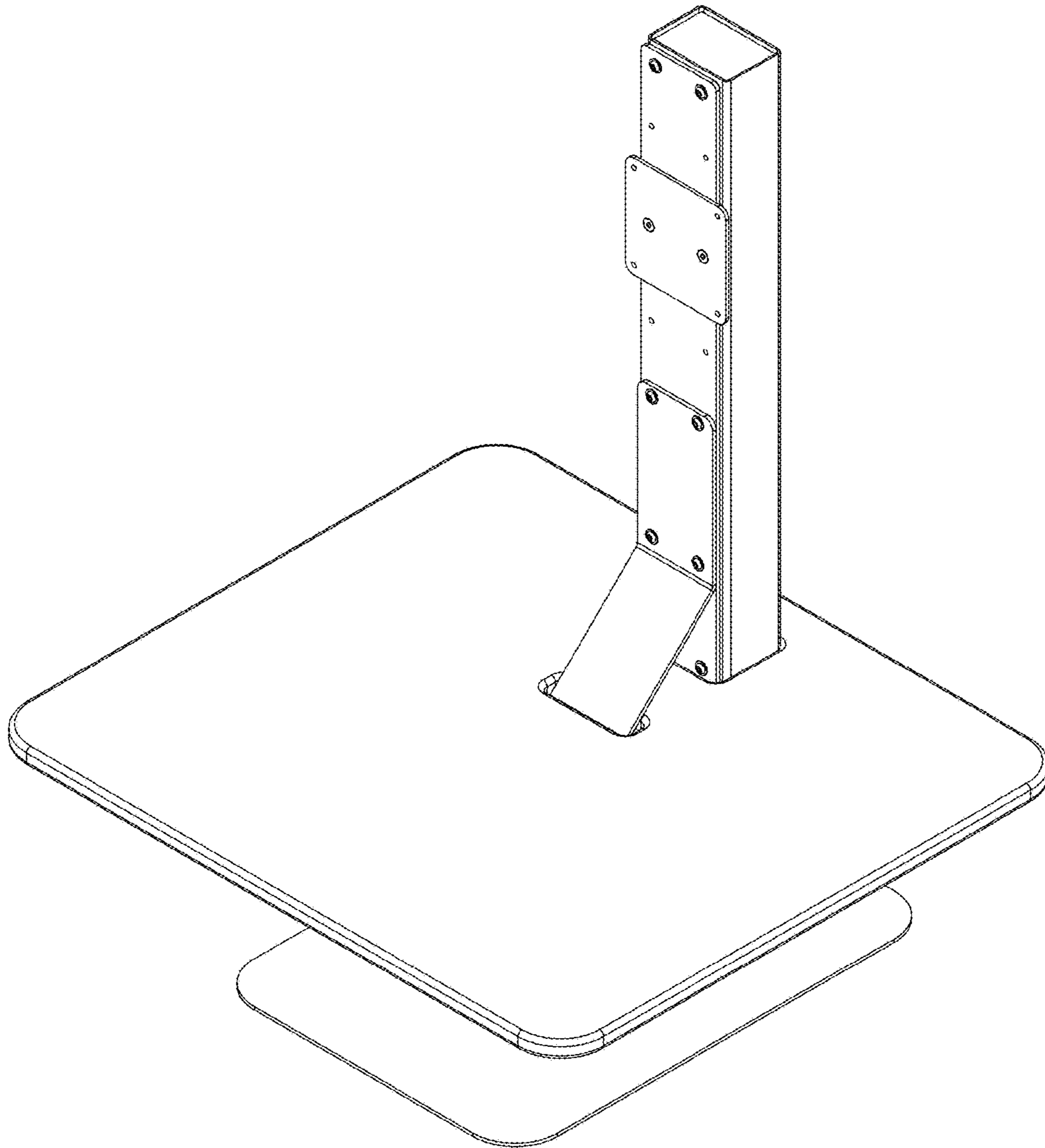


FIG. 1

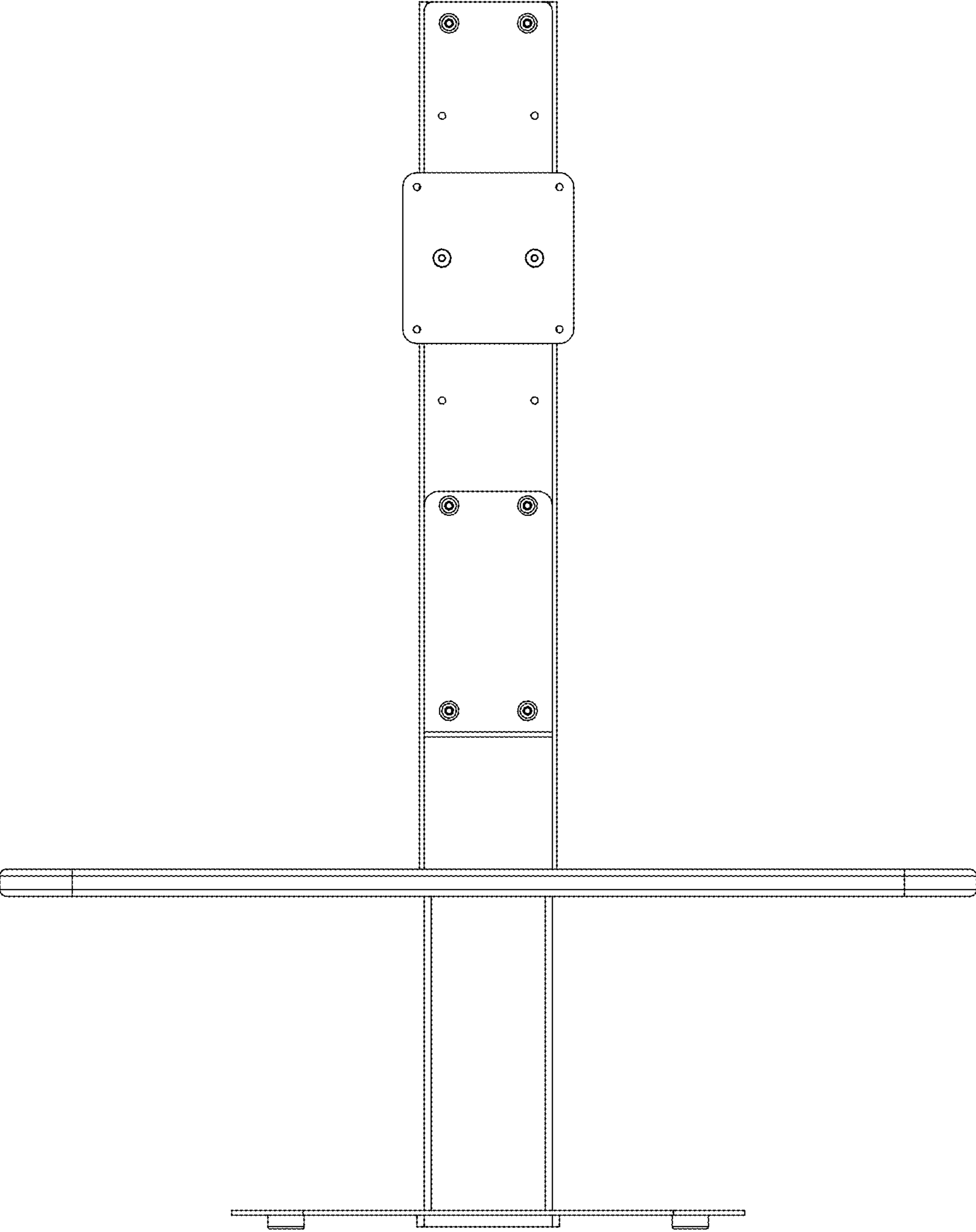


FIG. 2

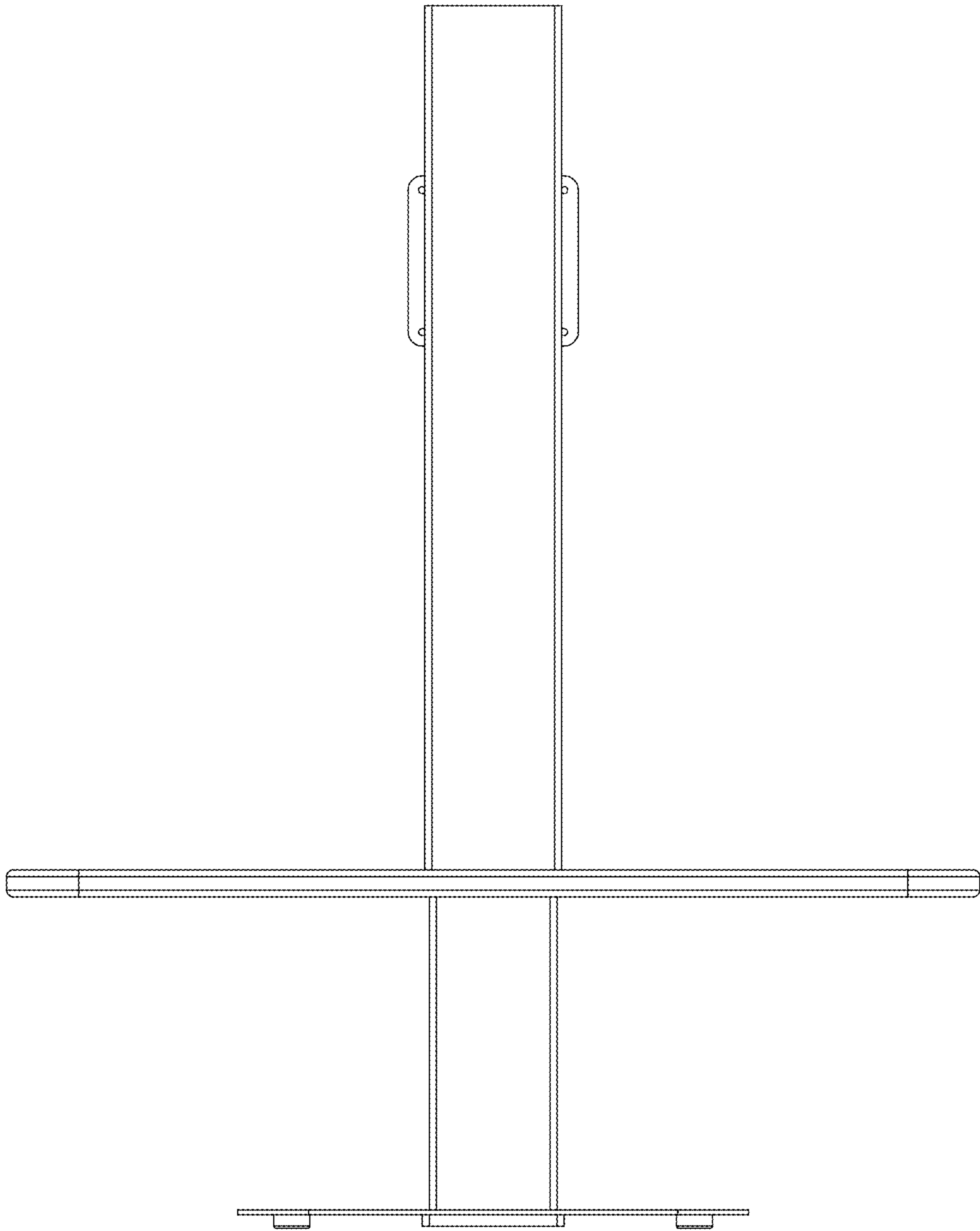


FIG. 3

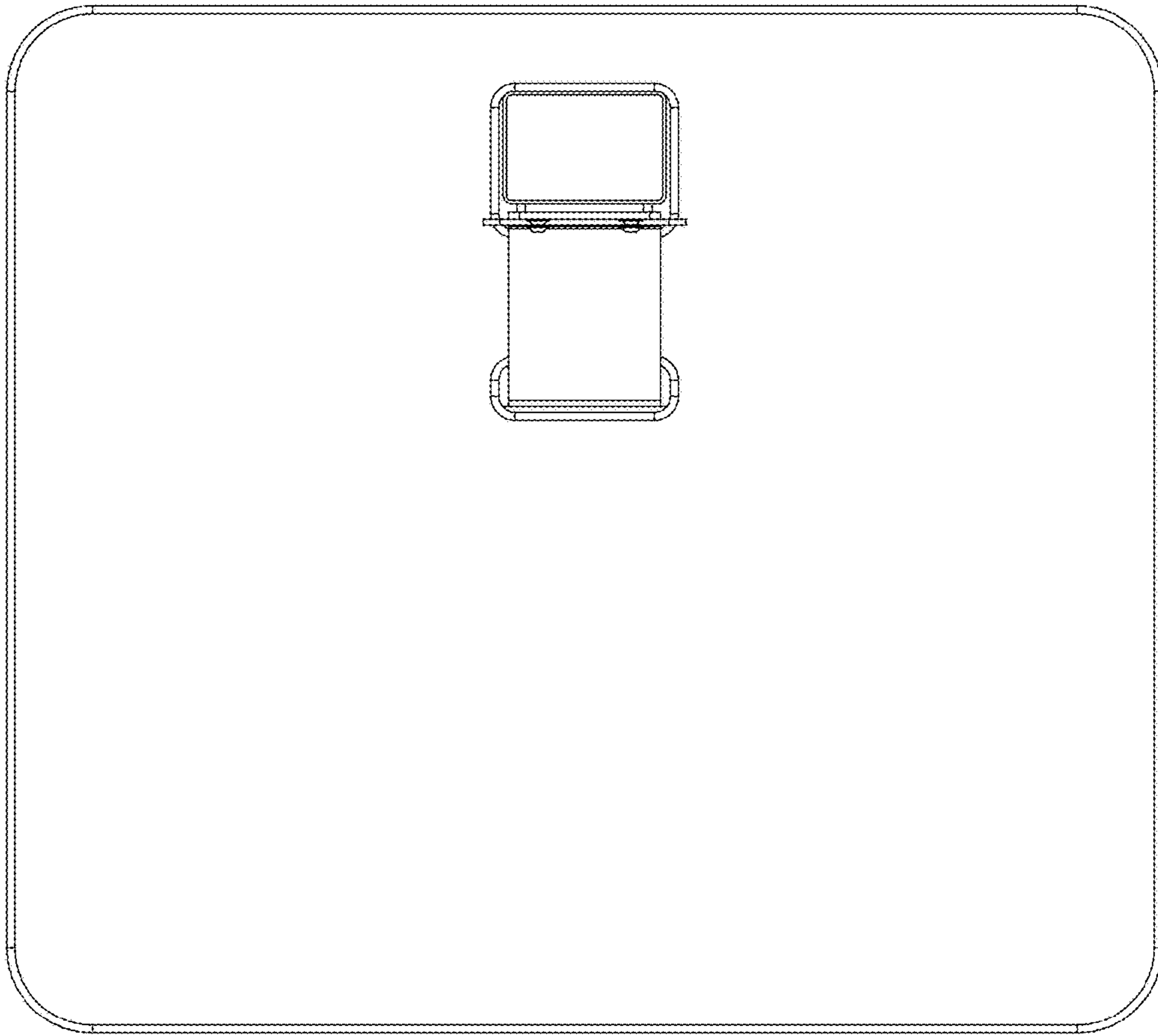


FIG. 4

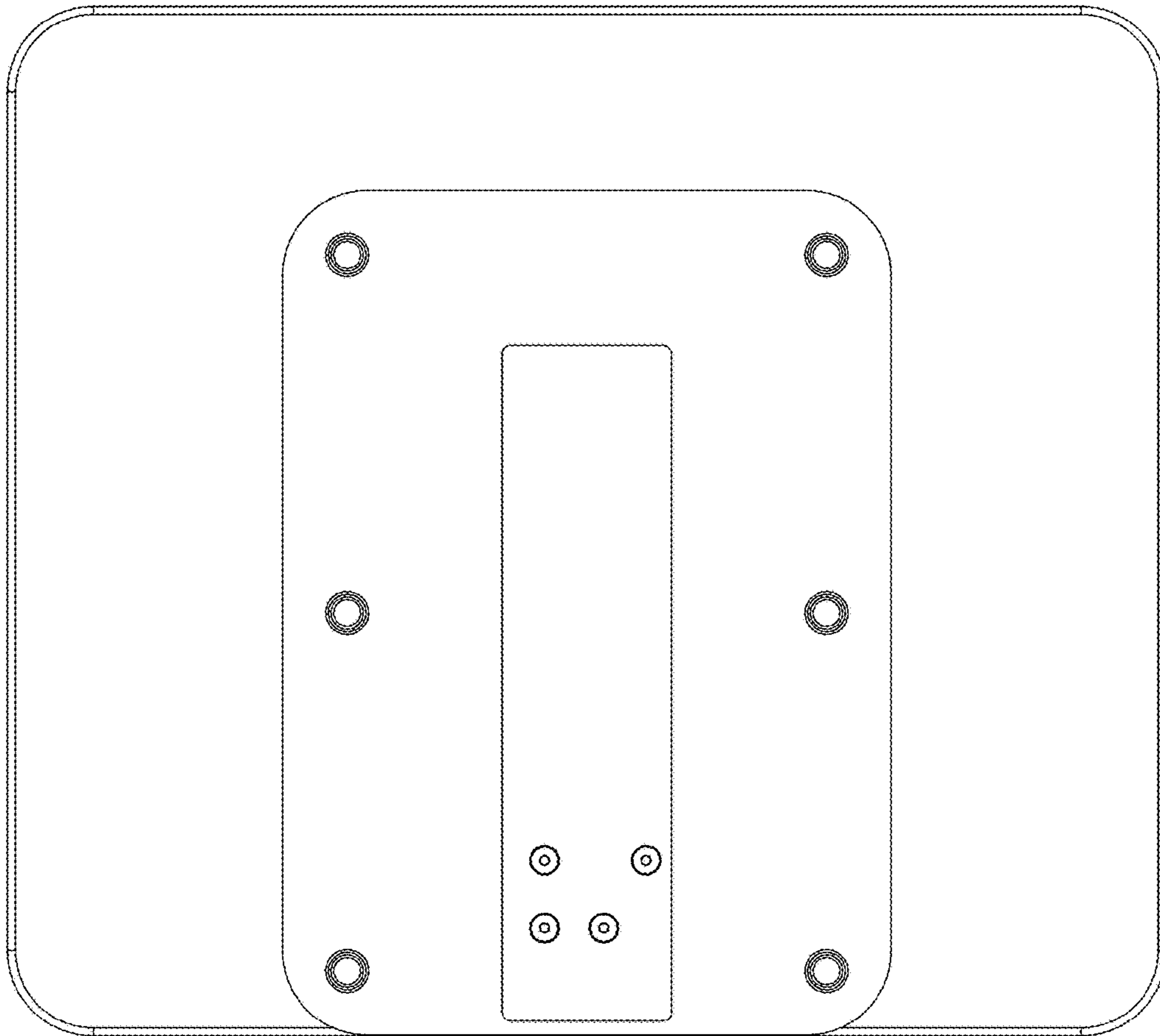


FIG. 5

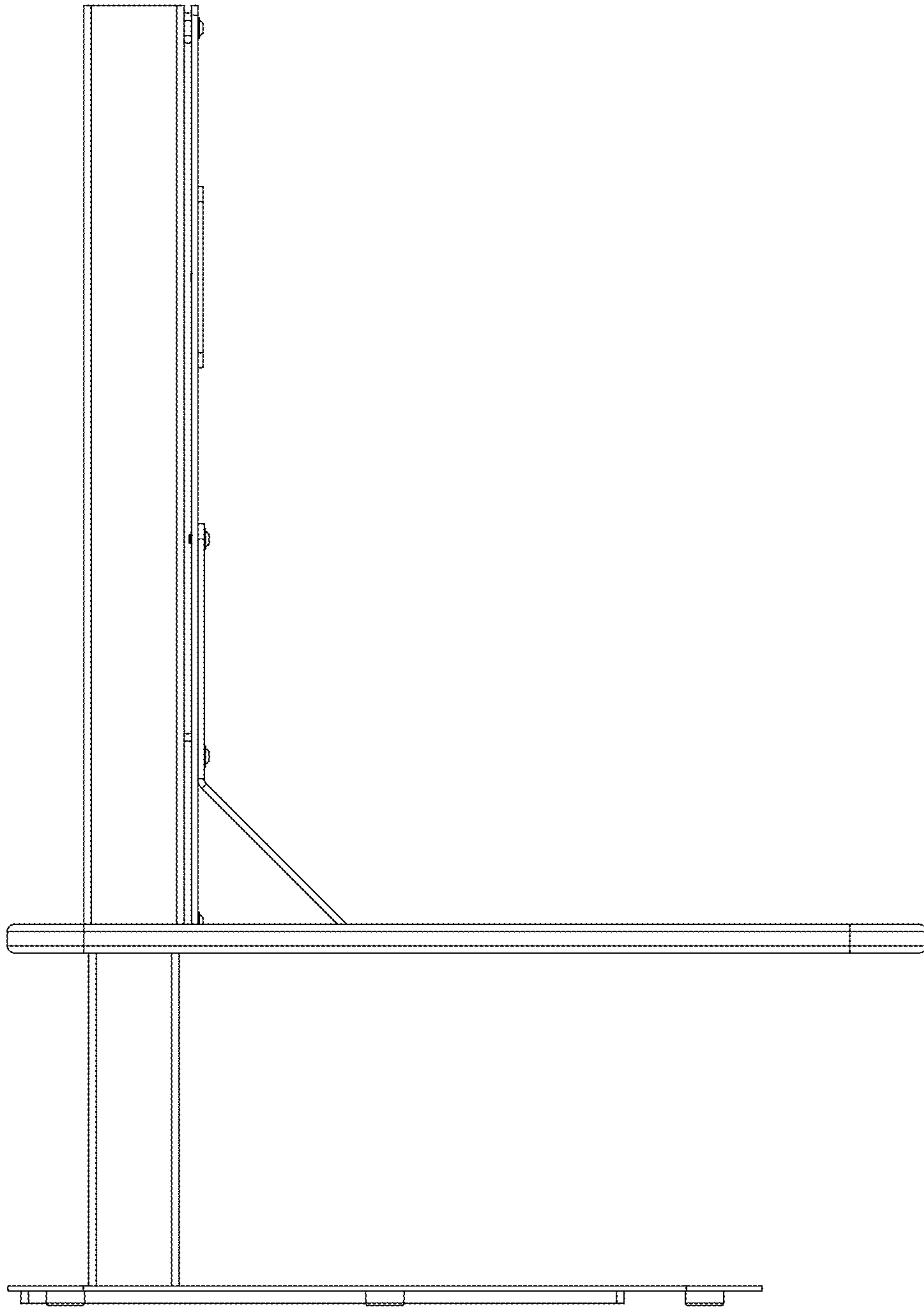


FIG. 6

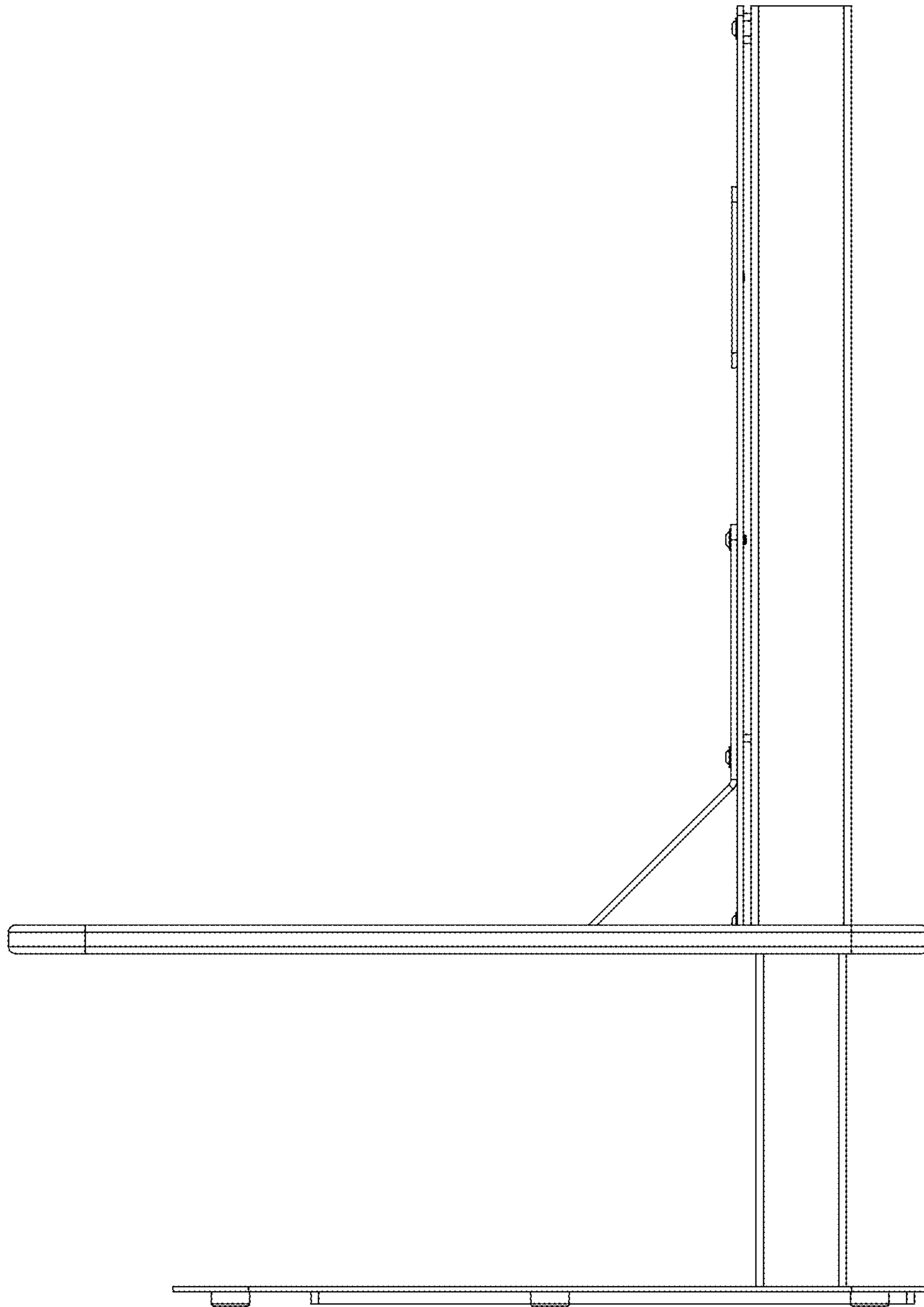


FIG. 7

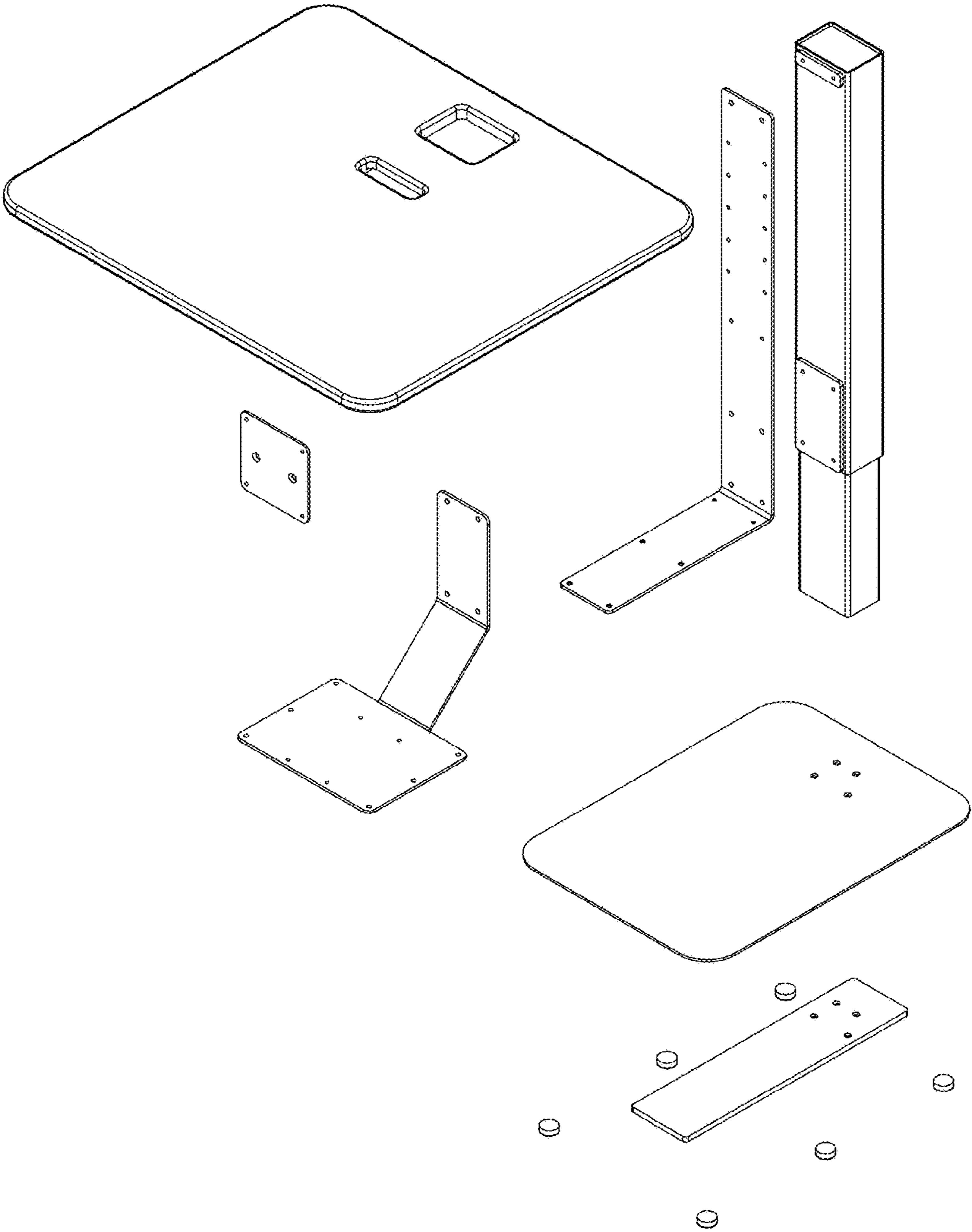


FIG. 8