

US00D827333S

(12) **United States Design Patent** (10) **Patent No.:** **US D827,333 S**  
**Patton et al.** (45) **Date of Patent:** **\*\* Sep. 4, 2018**

(54) **MAT**  
(71) Applicant: **Varidesk, LLC**, Coppell, TX (US)  
(72) Inventors: **David Patton**, Flower Mound, TX (US); **Coco Chang**, Lewisville, TX (US)  
(73) Assignee: **Varidesk, LLC**, Coppell, TX (US)  
(\*\*) Term: **15 Years**

4,421,110 A 12/1983 DeLisle et al.  
4,603,851 A 8/1986 Russell  
4,772,014 A 9/1988 Rebman  
4,784,888 A 11/1988 Schwertner et al.  
(Continued)

FOREIGN PATENT DOCUMENTS

CN S 63279847 A 11/1988  
CN 202876188 U 4/2013  
(Continued)

OTHER PUBLICATIONS

The Original 3/4" Gorilla Grip Anti-Fatigue Comfort Mat. Amazon.com. Aug. 15, 2016. <<https://www.amazon.com/dp/B01H6AEHC8?psc=1>>. Accessed Aug. 11, 2017.\*  
(Continued)

(21) Appl. No.: **29/582,580**  
(22) Filed: **Oct. 28, 2016**  
(51) **LOC (11) Cl.** ..... **06-11**  
(52) **U.S. Cl.**  
USPC ..... **D6/582**  
(58) **Field of Classification Search**  
USPC ..... D3/304; D7/550.1, 553.1, 553.2, 553.3, D7/553.7, 554.3  
See application file for complete search history.

*Primary Examiner* — Shannon Weekley Morgan  
*Assistant Examiner* — Clare A Gannon  
(74) *Attorney, Agent, or Firm* — Venable LLP; Steven J. Schwarz; Elizabeth C. Gitlin

(56) **References Cited**

(57) **CLAIM**  
The ornamental design for a mat, as shown and described.

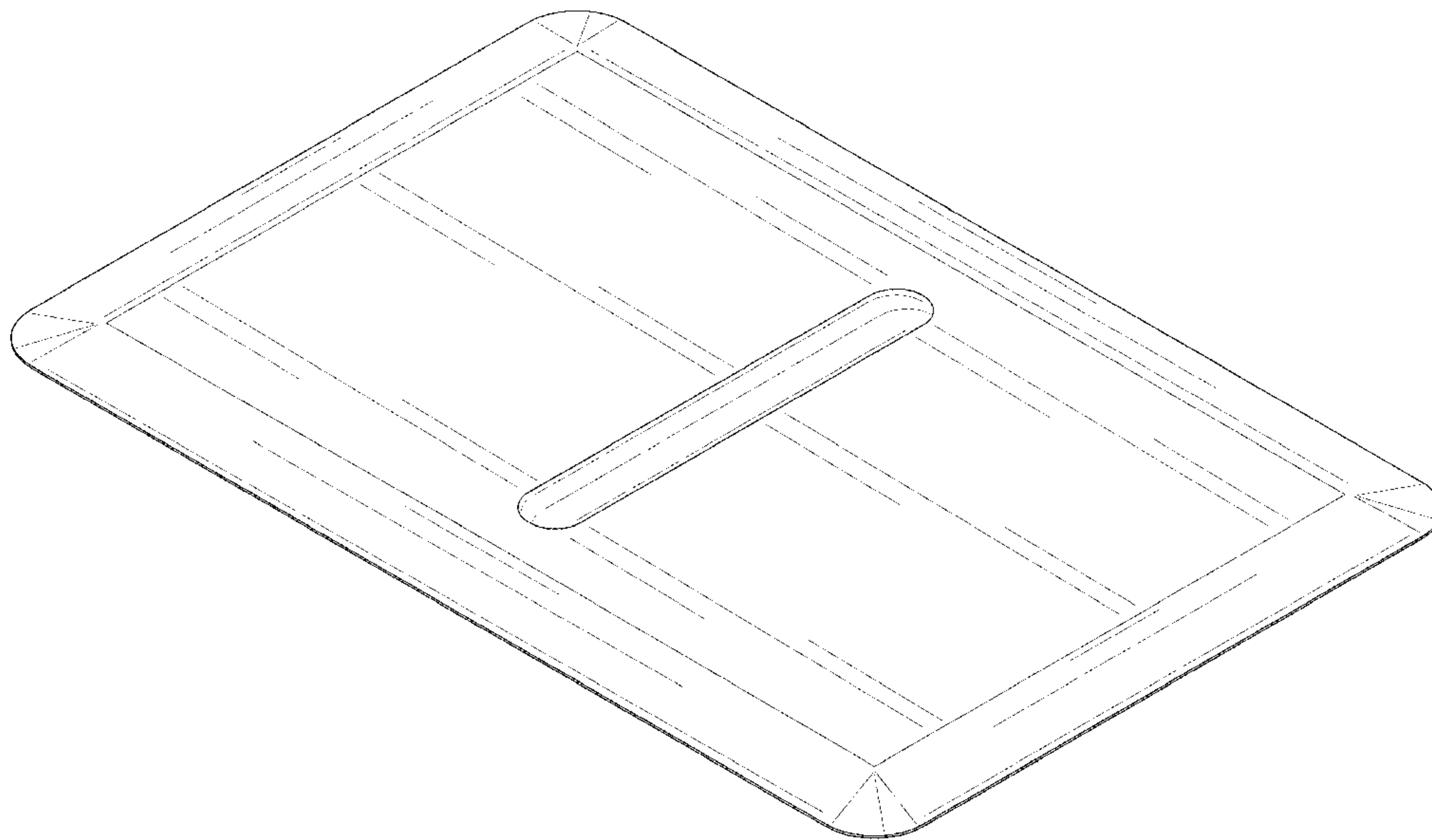
U.S. PATENT DOCUMENTS

**DESCRIPTION**

1,351,285 A \* 8/1920 Chess ..... A01M 1/2011  
294/172  
1,756,380 A 4/1930 Osborn  
D133,036 S 7/1942 Harwell  
D172,245 S \* 5/1954 Netzler ..... D7/543  
2,752,915 A 7/1956 Riblet  
D186,488 S 10/1959 Madl  
3,100,483 A 8/1963 Altmeyer  
3,323,151 A \* 6/1967 Lerman ..... A47C 4/52  
297/183.5  
3,434,715 A 3/1969 Brantingham et al.  
D232,935 S \* 9/1974 Stahel ..... D19/95  
4,253,661 A 3/1981 Russell  
4,329,981 A 5/1982 Dungal  
D267,028 S 11/1982 Spisak

FIG. 1 is a front perspective view of a mat, according to the new design.  
FIG. 2 is a front elevational view thereof.  
FIG. 3 is a rear elevational view thereof.  
FIG. 4 is a right side view thereof.  
FIG. 5 is a left side view thereof.  
FIG. 6 is a top plan view thereof; and,  
FIG. 7 is a bottom plan view thereof.  
The features shown in broken lines are environment only, and not part of the claimed design.

**1 Claim, 5 Drawing Sheets**



(56)

References Cited

U.S. PATENT DOCUMENTS

4,974,582 A 12/1990 Johnson  
D315,463 S \* 3/1991 Spiegel ..... A01M 1/2011  
D12/133  
5,056,507 A 10/1991 Yum  
5,108,094 A 4/1992 Quinn et al.  
5,158,073 A 10/1992 Bukowski  
5,254,384 A 10/1993 Gordon  
D354,197 S \* 1/1995 Fish ..... D7/504  
5,390,775 A 2/1995 Herrick et al.  
5,402,545 A 4/1995 Jolley  
D377,130 S 1/1997 Dorrer  
D385,318 S 10/1997 Videtto  
D396,293 S 7/1998 Stranner  
5,787,541 A 8/1998 Chen  
5,802,743 A 9/1998 Chien  
D403,547 S \* 1/1999 Adkins ..... D6/582  
5,897,474 A 4/1999 Romero  
5,913,839 A 6/1999 Wincek  
D430,627 S 9/2000 Bergman  
6,114,014 A 9/2000 Ikeda et al.  
6,125,984 A 10/2000 Huber et al.  
6,303,197 B1 10/2001 Hodgetts  
6,305,040 B1 10/2001 Myler  
D471,236 S \* 3/2003 Robbins, III ..... D19/82  
D471,237 S \* 3/2003 Robbins, III ..... D19/83  
D472,679 S 4/2003 Burington  
D475,792 S 6/2003 Robbins, III  
D484,392 S \* 12/2003 Mayo ..... D8/353  
6,719,248 B2 4/2004 Lamont  
D495,016 S \* 8/2004 Nudo ..... D21/318  
D496,110 S 9/2004 Kim  
D496,702 S 9/2004 Nudo  
6,846,252 B2 \* 1/2005 Nudo ..... A63B 47/002  
473/278  
6,921,372 B2 7/2005 Shin  
6,942,604 B2 9/2005 Teff  
D513,774 S 1/2006 Nudo  
7,073,651 B2 7/2006 Costanzo et al.  
D547,490 S \* 7/2007 Simester ..... D27/194  
7,316,597 B2 1/2008 Skedeleski  
D562,416 S \* 2/2008 Fedriga ..... D21/694  
7,445,833 B2 11/2008 Polley  
D611,749 S 3/2010 Lubart  
D612,504 S 3/2010 Ha et al.  
D623,882 S 9/2010 Oster  
D626,773 S 11/2010 Oster  
8,062,189 B1 11/2011 Moring, Jr. et al.  
D654,162 S \* 2/2012 Sykes ..... D23/393  
D674,640 S 1/2013 Knoll  
8,360,940 B2 1/2013 Kole et al.  
D691,221 S 10/2013 Potts et al.  
D694,415 S 11/2013 Viner et al.  
8,677,532 B2 3/2014 Legare  
8,696,607 B2 4/2014 McDonnell et al.  
D706,940 S 6/2014 Julian et al.  
D715,274 S 10/2014 Callas  
8,888,808 B1 11/2014 Park  
8,932,322 B2 1/2015 Reynolds et al.  
8,998,832 B2 4/2015 Almeida et al.  
D732,182 S 6/2015 Viner et al.  
9,078,528 B2 7/2015 Ramdath  
9,079,072 B2 7/2015 Agostini  
D741,500 S 10/2015 Son  
9,211,437 B2 12/2015 Soba  
9,216,321 B2 12/2015 Agostini  
D770,201 S 11/2016 Dieckhaus  
D781,435 S 3/2017 Eastman et al.  
D787,403 S \* 5/2017 Simonsen ..... D12/203

9,700,165 B2 \* 7/2017 Johnson ..... A47G 27/0231  
9,775,770 B2 10/2017 Eastman et al.  
2003/0207738 A1 11/2003 Wong  
2004/0082890 A1 4/2004 Kuo  
2006/0040811 A1 2/2006 Foster  
2007/0037672 A1 2/2007 Nakanishi  
2007/0078020 A1 4/2007 Jong  
2007/0249476 A1 10/2007 Hill et al.  
2008/0149122 A1 6/2008 Lovely  
2008/0214361 A1 9/2008 Oster  
2009/0139017 A1 6/2009 Anderson  
2010/0145243 A1 6/2010 Kantor  
2010/0234189 A1 9/2010 Freitag  
2012/0028764 A1 2/2012 Miller  
2012/0065033 A1 3/2012 Moring, Jr. et al.  
2013/0269112 A1 10/2013 Legare  
2013/0324382 A1 12/2013 Wilson  
2015/0126915 A1 5/2015 Reynolds et al.  
2016/0174745 A1 6/2016 Feeley et al.  
2016/0255977 A1 9/2016 Burkhalter  
2016/0270998 A1 9/2016 Nielsen

FOREIGN PATENT DOCUMENTS

CN 203060252 U 7/2013  
CN 204379726 U 6/2015  
DE 202012104883 U1 2/2013  
DE 202014001424 U1 3/2014  
DE 10 2014 111 572 B3 9/2015  
GB 2 176 114 A 12/1986  
JP 355131270 U 9/1980  
JP H0975414 A 3/1997  
KR 20030055208 A 7/2003  
KR 20110000296 U 1/2011  
WO 1996006559 A1 3/1996  
WO WO/2003/105654 A1 12/2003  
WO WO-2012/107740 A1 8/2012  
WO WO2016/027109 A1 2/2016

OTHER PUBLICATIONS

Ergoddriven, "Infinite Positions on Topo: The Not-Flat Standing Desk Anti-Fatigue Mat," <https://www.youtube.com/watch?v=R8OACVDwwoE>, allegedly published on Jan. 15, 2015 (last accessed Nov. 10, 2016), pp. 1-2.  
36 Beads foot massage pad ball massage pad foot massage device, accessed Jun. 15, 2016, <http://www.aliexpress.com/item/36-beads-foot-massage-pad-ball-massage-pad-foot-mat-foot-massage-device-massage-carpet-mat/32650133815.html>, pp. 1/18-6/18.  
Bathroom Advice on pressure pad Multi-function Mats Point massage cushion The foot pad Non-slip mat, accessed Jun. 15, 2016, <http://www.aliexpress.com/item/Bathroom-Advice-on-pressure-mad-Multi-function-Mats-Point-massage-cushion-The-foot-pad-Non-slip/1147009316.html>, pp. 1/20-20/20.  
Office Action dated Oct. 6, 2017 in Design U.S. Appl. No. 29/582,578.  
Matheson, "How Anti-Fatigue Mats Reduce Fatigue," which was published on the Internet and believed to have been available since at least Jun. 17, 2013, and was retrieved from the Internet on Dec. 21, 2016; URL:<<https://web.archive.org/web/20130617040513/http://www.mathesongas.com/industrialgas/pdfs/safety/matting.pdf>>, 13 pages.  
International Search Report and Written Opinion issued in International Application No. PCT/US2017/058747, dated Jan. 16, 2018. Final Office Action issued in U.S. Appl. No. 29/582,578, dated May 18, 2018.

\* cited by examiner



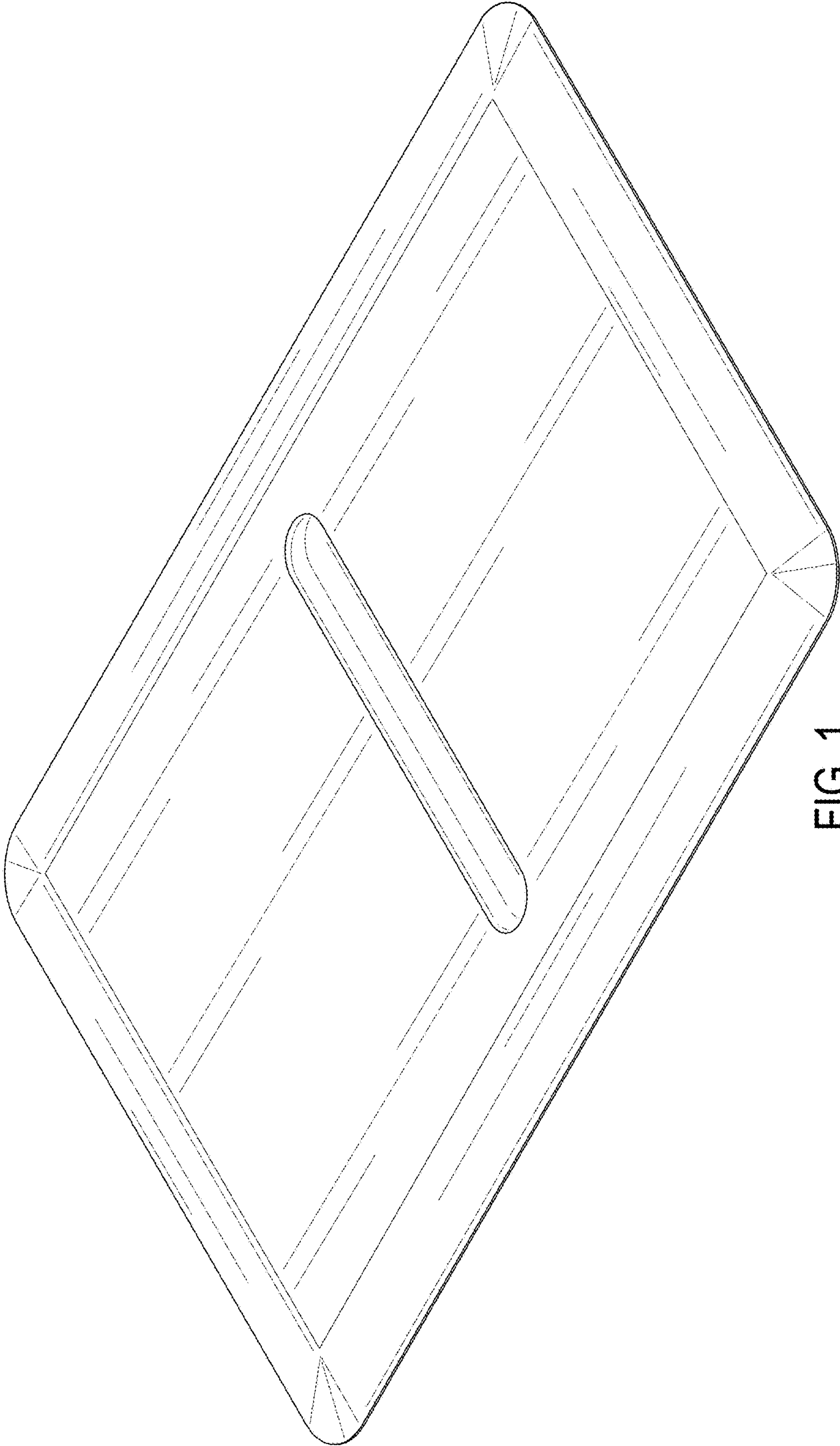


FIG. 1



FIG. 2

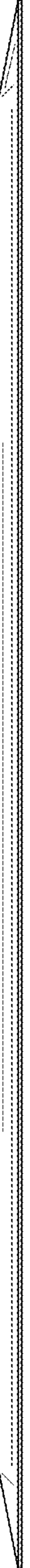


FIG. 3

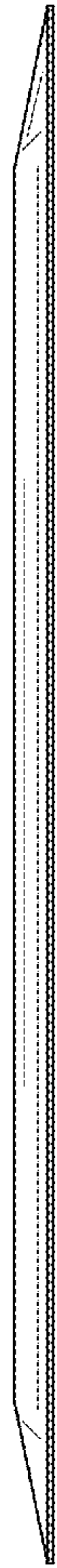


FIG. 4

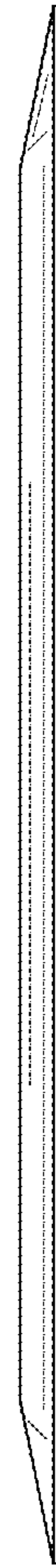


FIG. 5

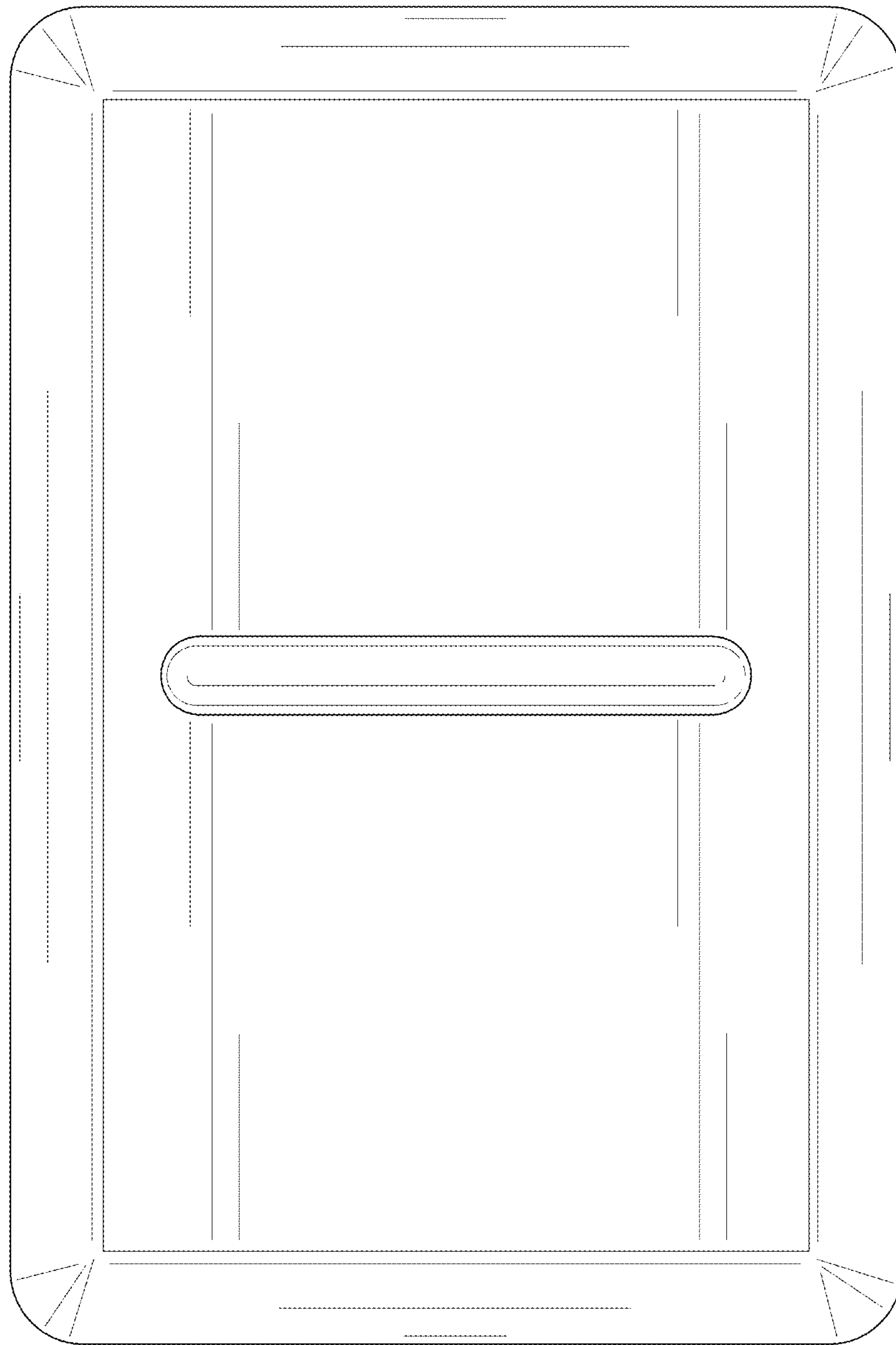


FIG. 6

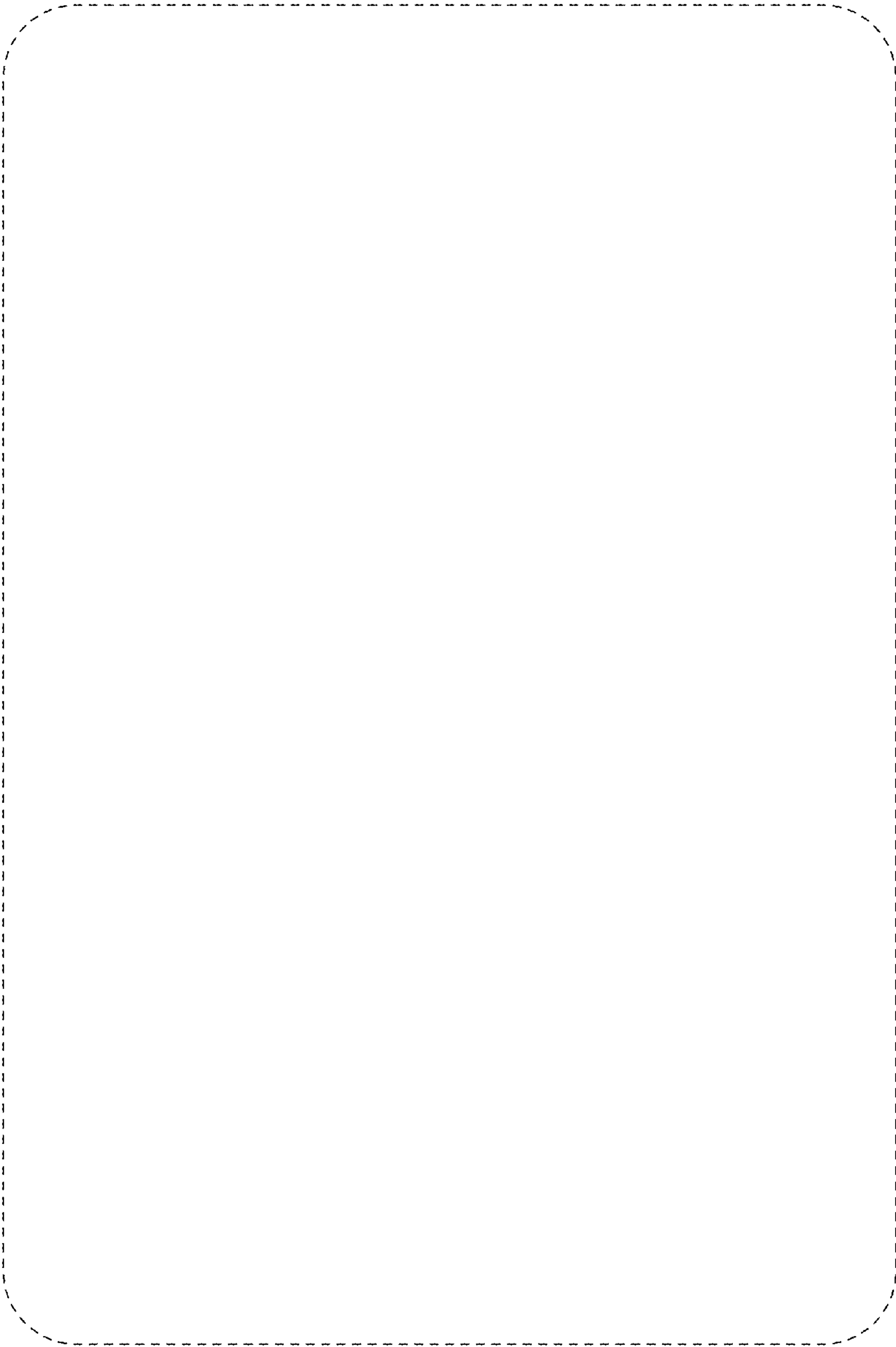


FIG. 7