



US00D827332S

(12) **United States Design Patent** (10) **Patent No.:** **US D827,332 S**  
**Berkowitz et al.** (45) **Date of Patent:** **\*\* Sep. 4, 2018**

(54) **SHOWER SHELF WITH MIRROR**

*Primary Examiner* — Wan Laymon  
*Assistant Examiner* — Mark Booker

(71) Applicant: **BLP INTERNATIONAL INC.**,  
Vaughan (CA)

(72) Inventors: **Adam Berkowitz**, Maple (CA);  
**Tommy Hawes**, Toronto (CA)

(57) **CLAIM**

The ornamental design for a shower shelf with mirror, as shown and described.

(73) Assignee: **BLP INTERNATIONAL INC.**,  
Vaughan, Ontario (CA)

(\*\*) Term: **15 Years**

**DESCRIPTION**

(21) Appl. No.: **29/587,960**

(22) Filed: **Dec. 16, 2016**

(30) **Foreign Application Priority Data**

Dec. 6, 2016 (CA) ..... 171902

(51) **LOC (11) Cl.** ..... **06-04**

(52) **U.S. Cl.**  
USPC ..... **D6/568**

(58) **Field of Classification Search**

USPC ..... D6/567, 568, 574, 329, 396, 417, 552,  
D6/553; 108/152; 211/13.1, 49.1, 60.1,  
211/64, 70.5, 86.01, 87.01, 88.01, 89.01,  
211/181.1; 248/121, 175, 200, 302  
CPC ..... A47K 3/281; A47K 3/001; A47K 5/04;  
A47B 96/022; A47B 96/021; A47B  
96/024; A47B 96/066; A47B 55/00

See application file for complete search history.

FIG. 1 is a perspective view of the shower shelf with mirror;  
FIG. 2 is another perspective view of the shower shelf with  
mirror of FIG. 1;  
FIG. 3 is a left side view of the shower shelf with mirror of  
FIG. 1;  
FIG. 4 is a front view of the shower shelf with mirror of FIG.  
1;  
FIG. 5 is a right side view of the shower shelf with mirror  
of FIG. 1;  
FIG. 6 is a rear view of the shower shelf with mirror of FIG.  
1;  
FIG. 7 is a top view of the shower shelf with mirror of FIG.  
1;  
FIG. 8 is a bottom view of the shower shelf with mirror of  
FIG. 1;  
FIG. 9 is a perspective view of the shower shelf with mirror,  
showing the mirror in an alternate position along the front of  
the shelf; and,  
FIG. 10 is a left side view of the shower shelf, showing the  
mirror in alternate angled positions relative to the shelf.  
The design consists of the feature of shape, configuration,  
pattern, and ornament of the shower shelf with mirror shown  
in solid lines in the drawings. The dashed lines shown in the  
figures represent portions of the shower shelf with mirror  
that form no part of the claimed design. The dash dot dash  
lines shown on the shower shelf with mirror represents  
alternate position along the front of the shelf and form a part  
of the claimed design.

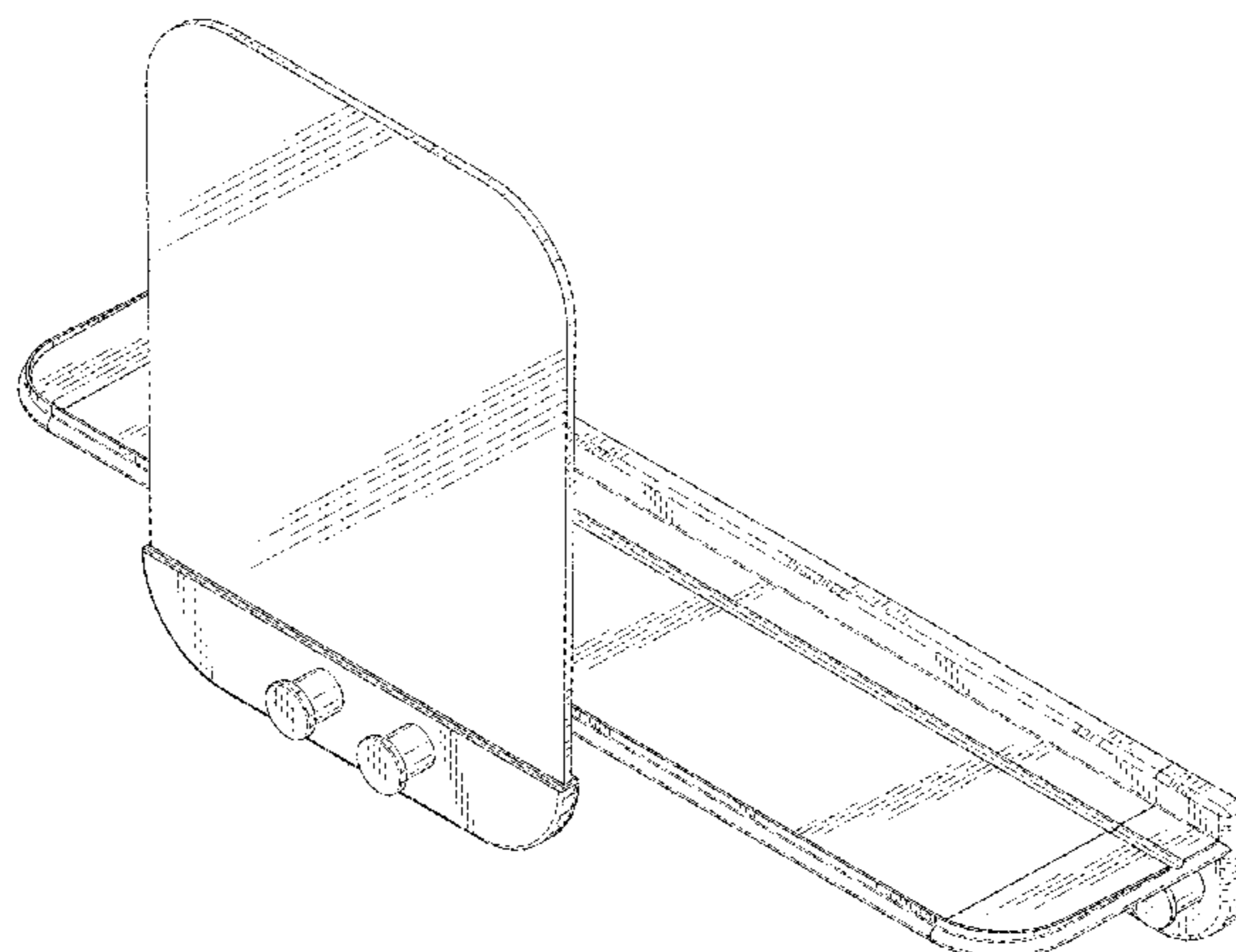
(56) **References Cited**

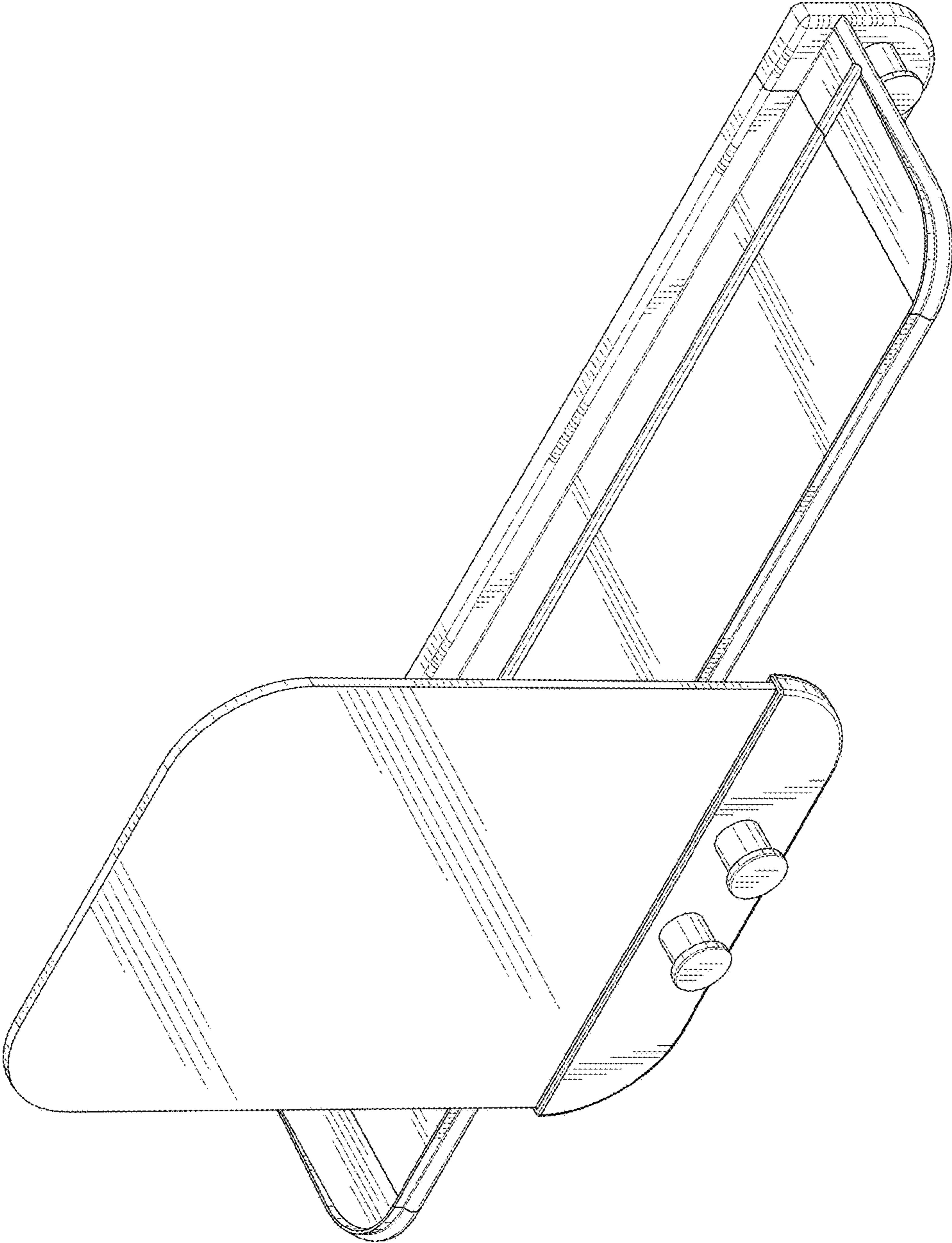
**U.S. PATENT DOCUMENTS**

D266,808 S *	11/1982	Thompson	.....	D6/525
D443,163 S *	6/2001	Welch	.....	D6/574
D543,763 S *	6/2007	Mayer	.....	D6/568
D568,081 S *	5/2008	Thompson	.....	D6/568
D572,056 S *	7/2008	McConnell	.....	D6/574
D764,834 S *	8/2016	Citterio	.....	D6/574

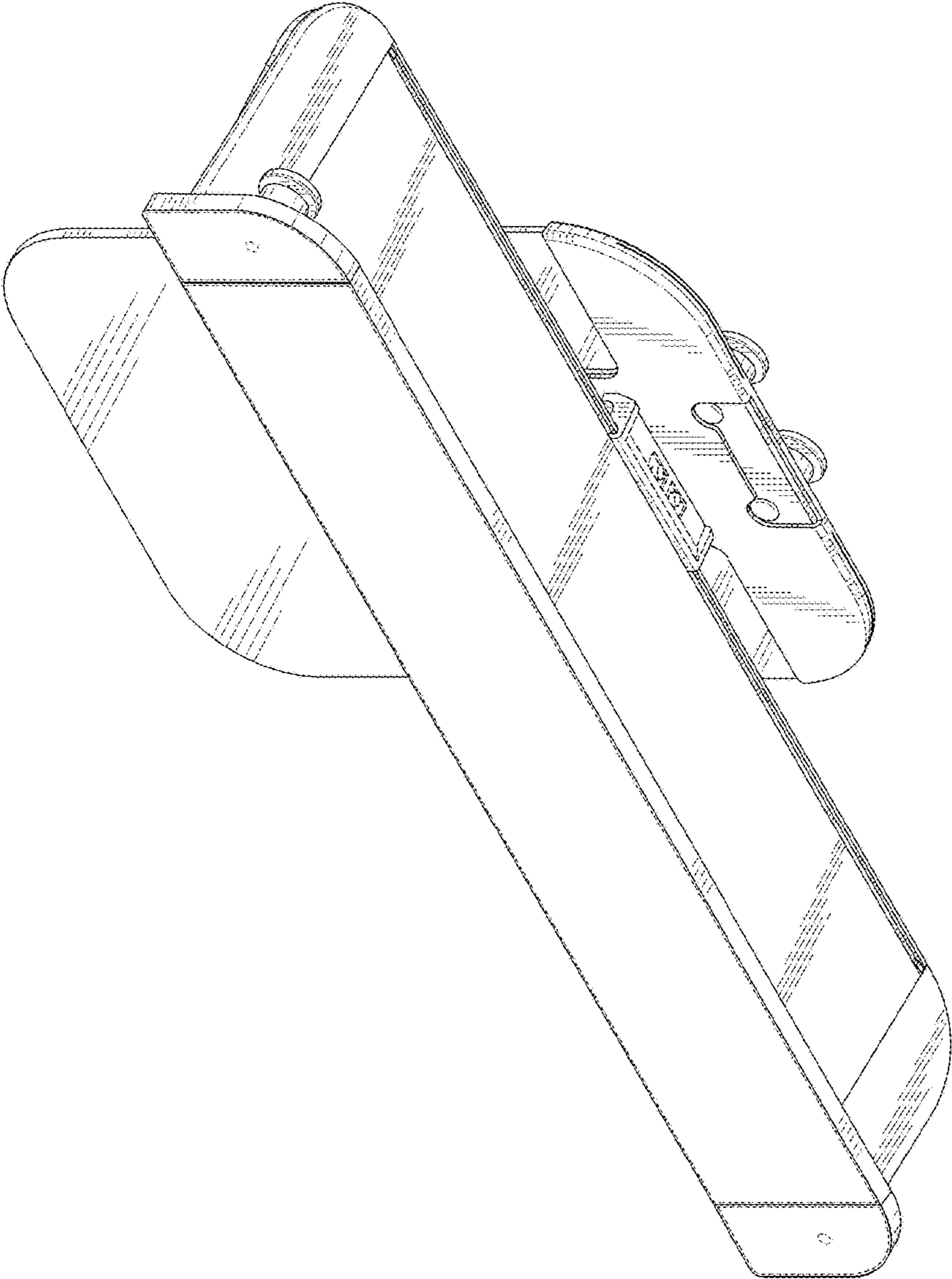
\* cited by examiner

**1 Claim, 9 Drawing Sheets**

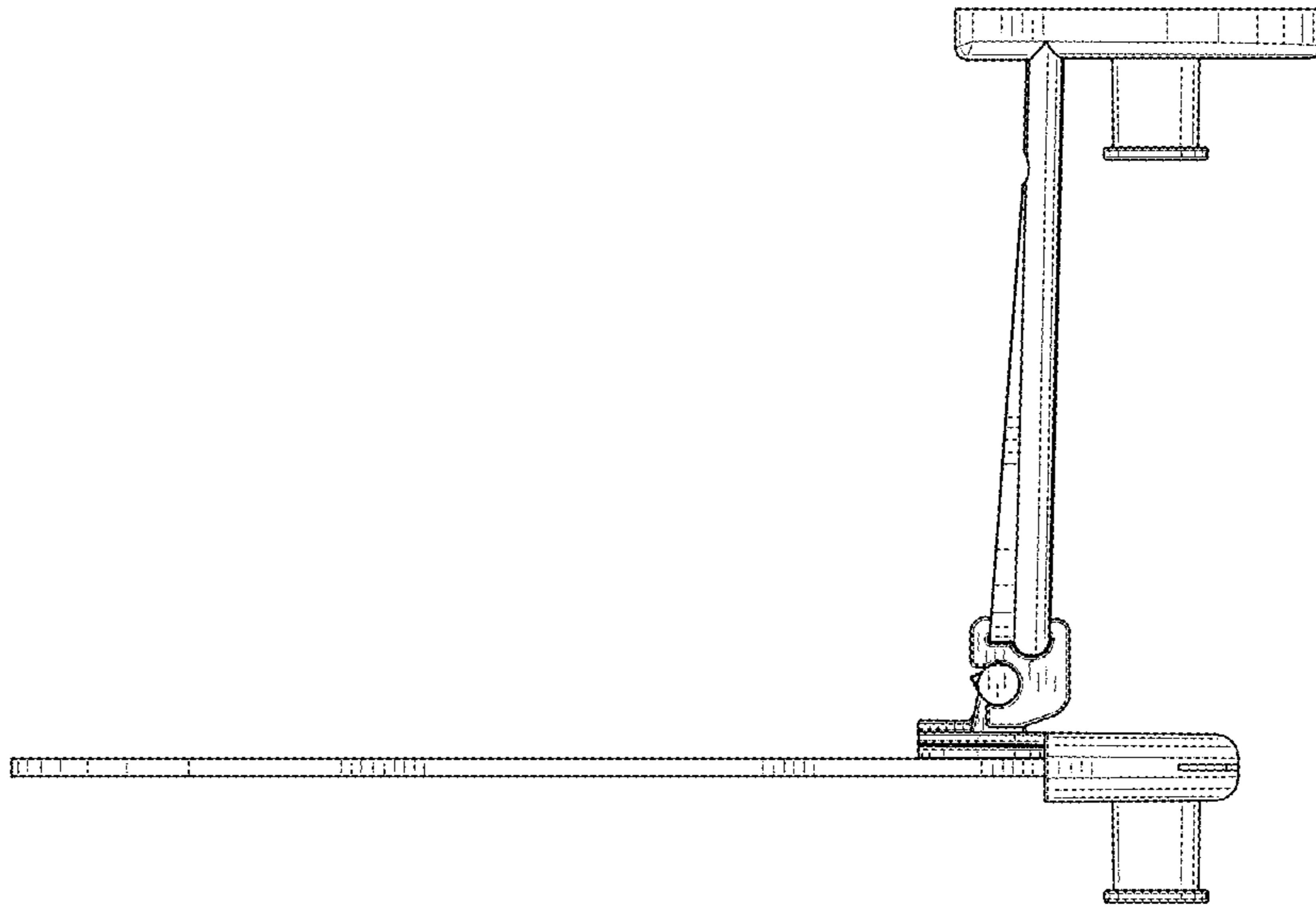




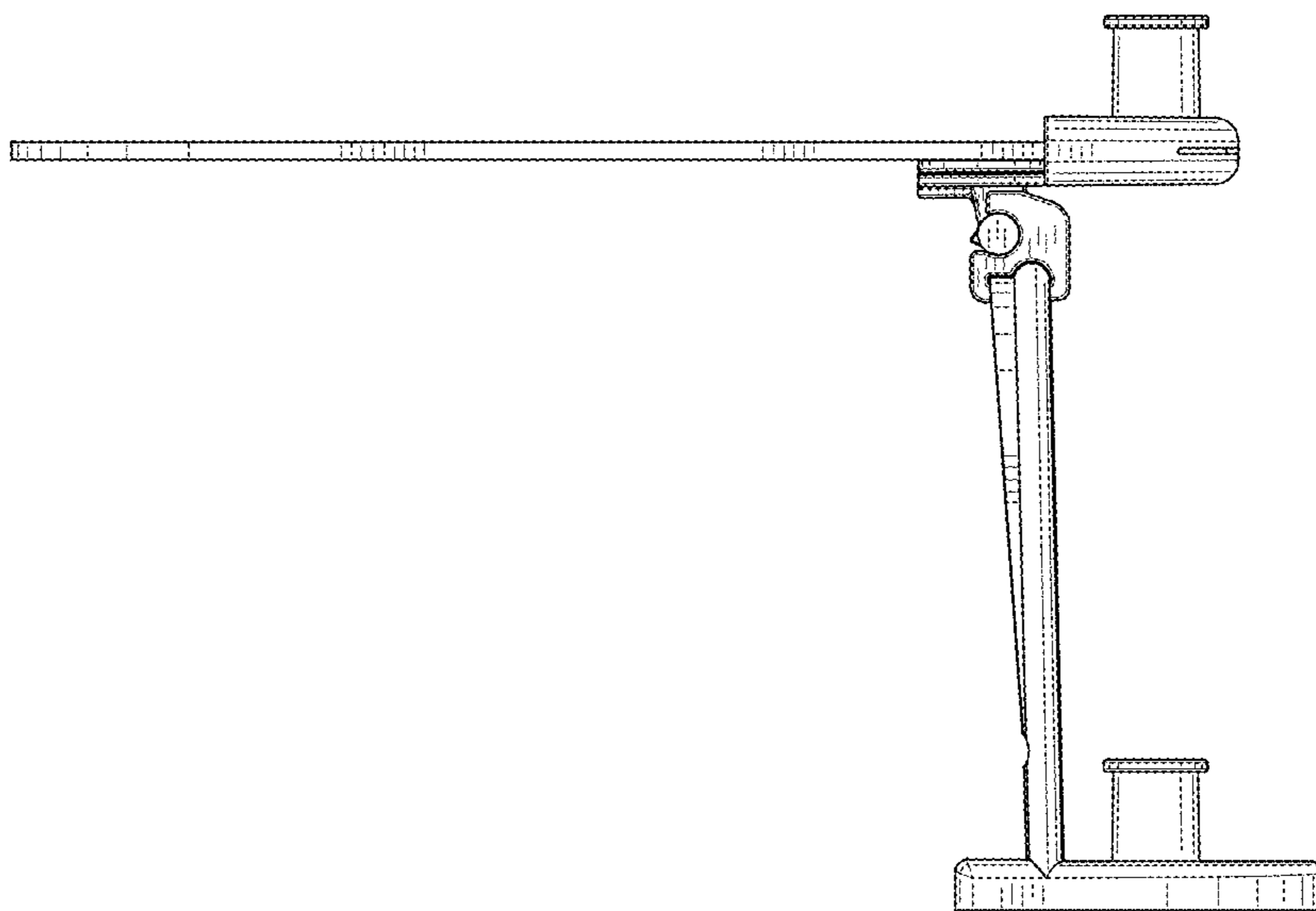
**FIG. 1**



**FIG. 2**

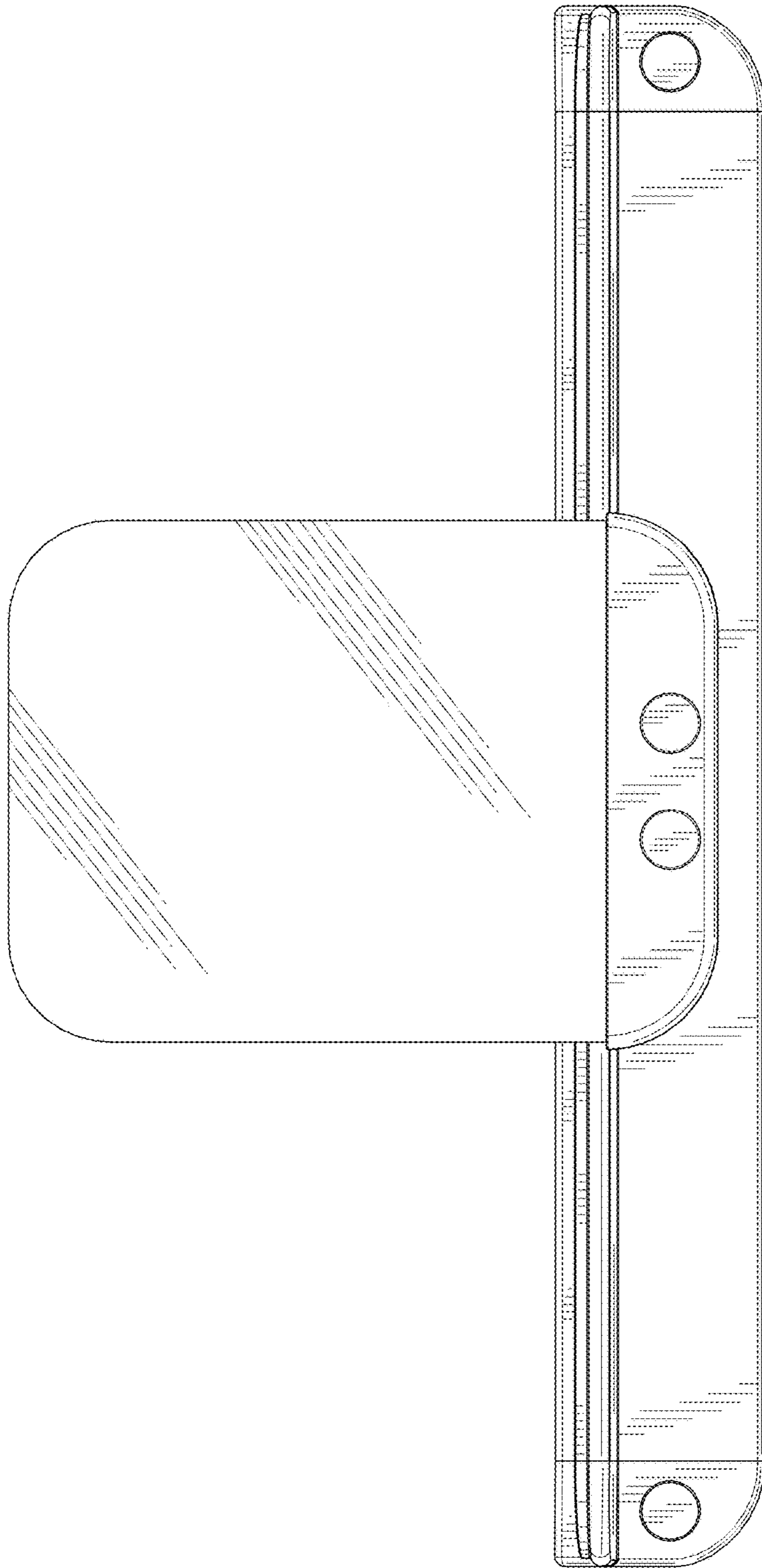


**FIG. 5**

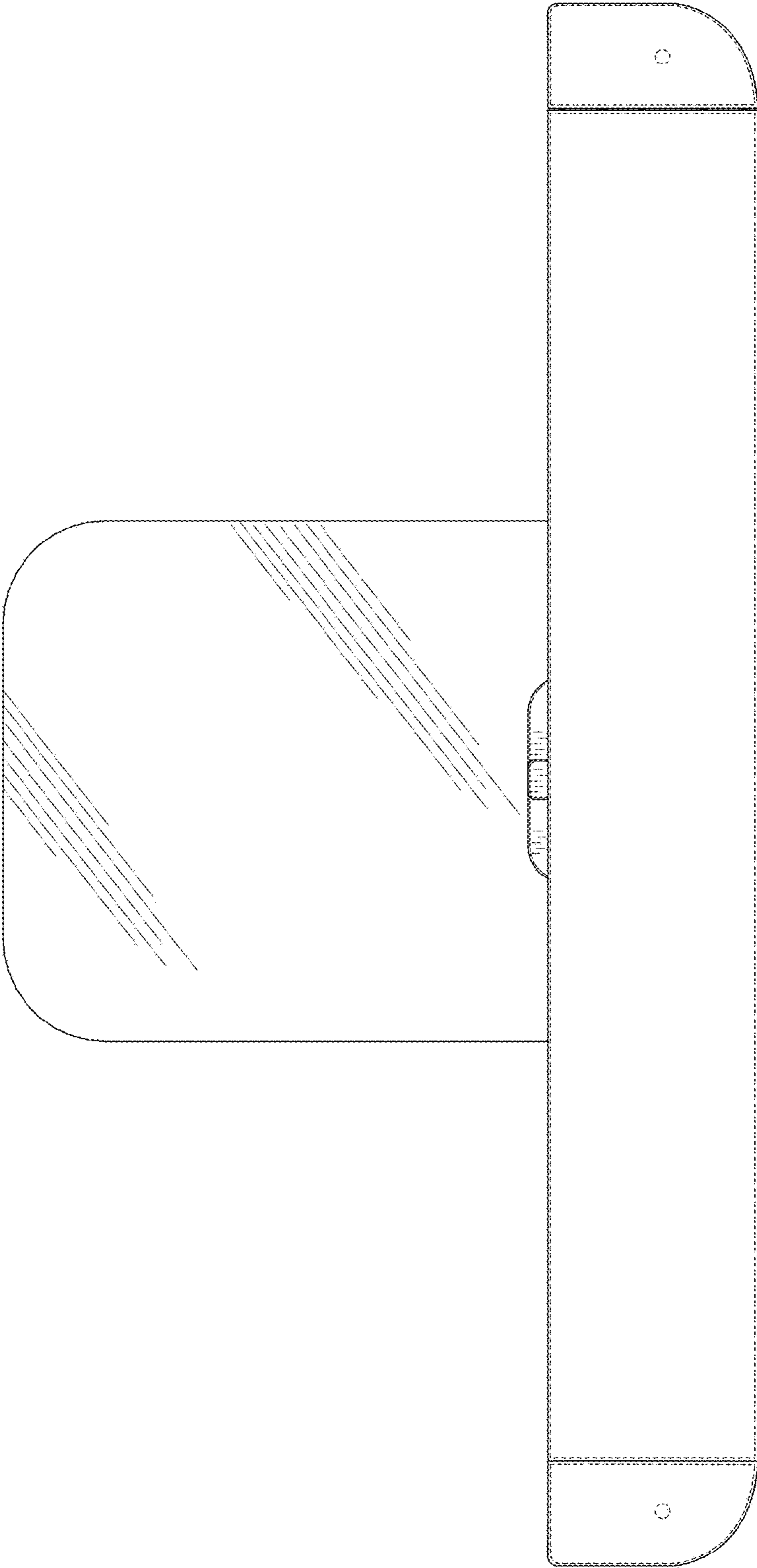


**FIG. 3**

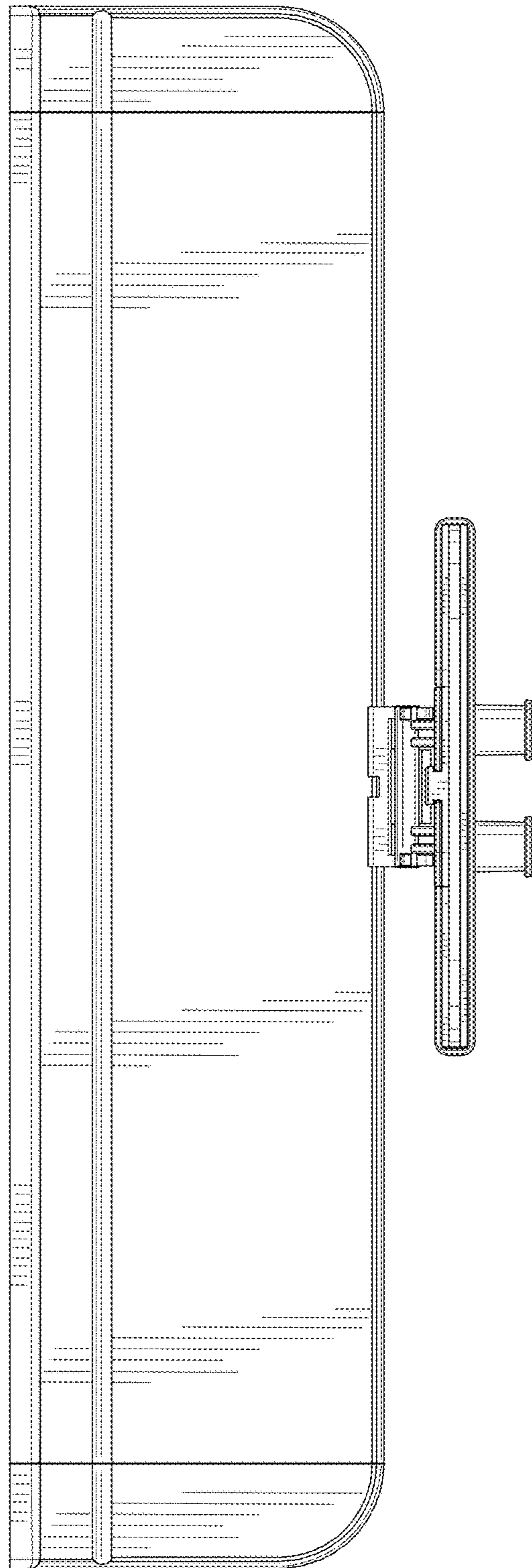




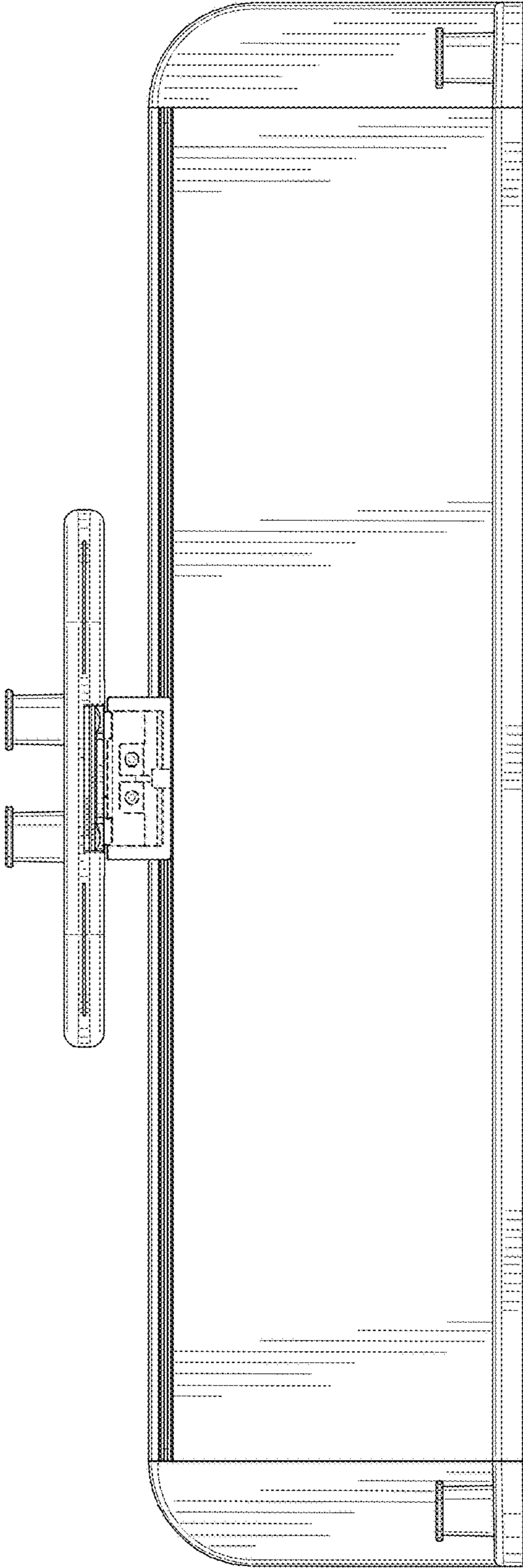
**FIG. 4**



**FIG. 6**

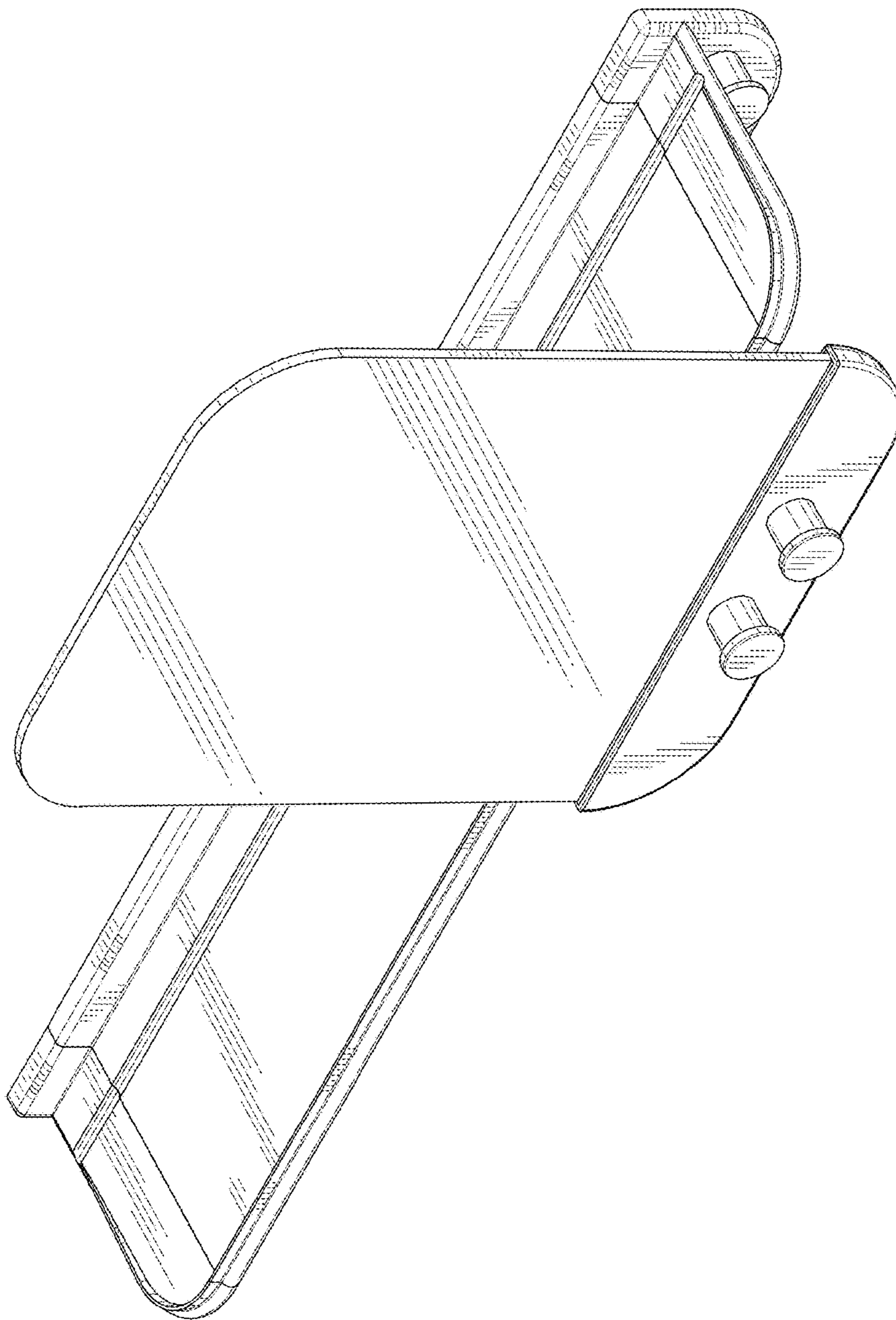


**FIG. 7**

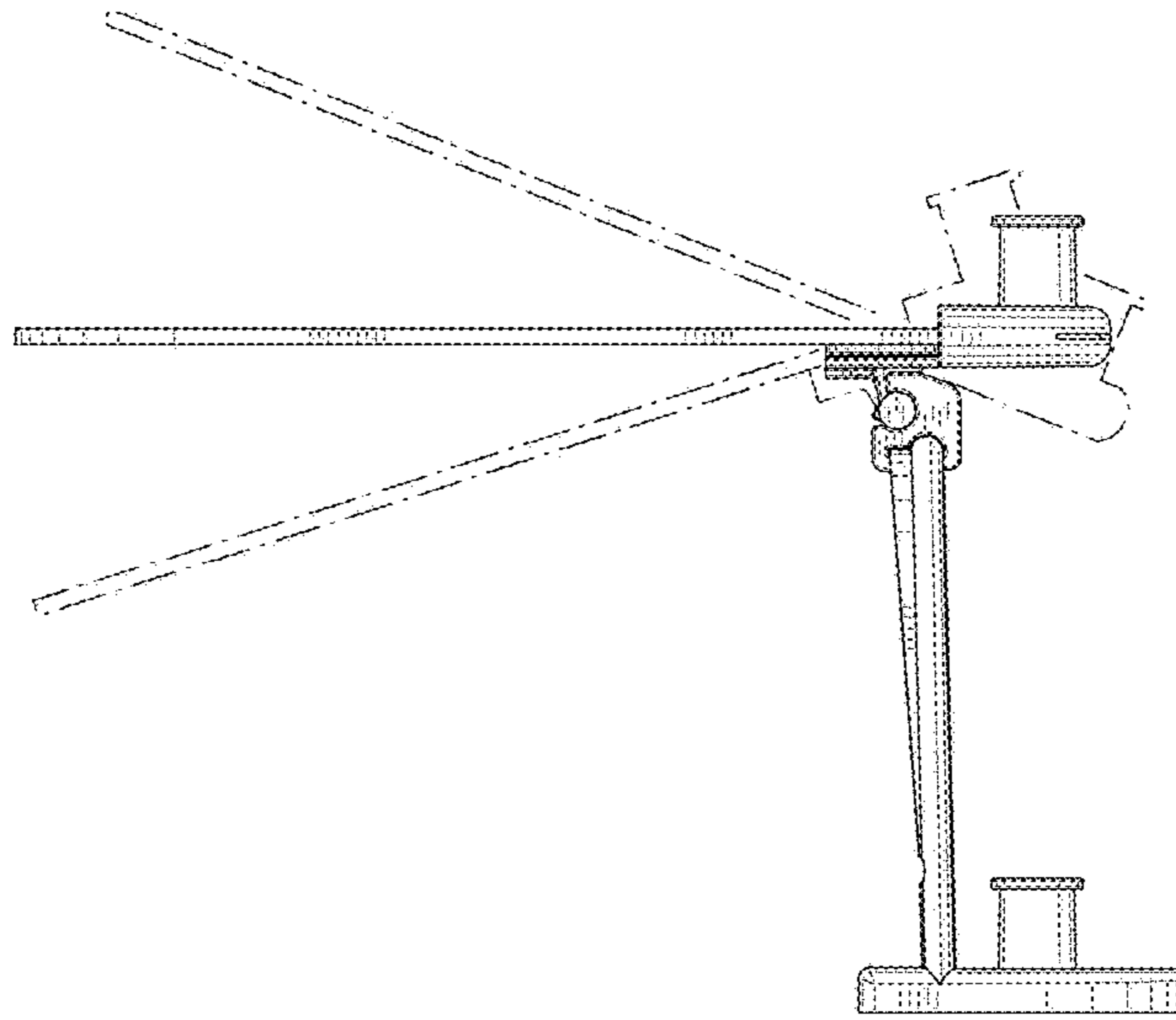


**FIG. 8**





**FIG. 9**



**FIG. 10**