



US00D827329S

(12) **United States Design Patent**
Joseph

(10) **Patent No.:** **US D827,329 S**

(45) **Date of Patent:** **** Sep. 4, 2018**

(54) **LARGE TOOTHBRUSH CADDY**
(71) Applicant: **Joseph Joseph Ltd.**, London (GB)
(72) Inventor: **Antony Joseph**, London (GB)
(73) Assignee: **JOSEPH JOSEPH LTD.**, London (GB)

D687,246 S * 8/2013 Rodriguez D6/528
D701,394 S * 3/2014 Lin D6/534
D718,072 S * 11/2014 Bahler D6/528
D733,383 S * 6/2015 Lloyd D34/7
D765,334 S * 8/2016 Donald D32/55
D815,455 S * 4/2018 Kudjawa D6/534

* cited by examiner

(**) Term: **15 Years**
(21) Appl. No.: **29/614,887**

Primary Examiner — Wan Laymon
Assistant Examiner — Mark Booker
(74) *Attorney, Agent, or Firm* — Millen, White, Zelano & Branigan, PC

(22) Filed: **Aug. 24, 2017**

(30) **Foreign Application Priority Data**

Mar. 8, 2017 (EM) 003789437-0002

(51) **LOC (11) Cl.** **23-02**

(52) **U.S. Cl.**
USPC **D6/528**

(58) **Field of Classification Search**
USPC D6/525, 553, 524, 536, 540, 566, 534,
D6/528; 211/13.1, 71.01, 74, 75, 86.01,
211/126.1, 133.5, 134, 181.1; D32/52,
D32/55; D34/7

CPC A47K 17/00; A47K 3/281; A47K 3/001;
A47K 3/004; A47K 5/00; A47K 5/03;
B23P 17/04; A47B 57/265; A47B 57/565;
A47B 57/26; A47J 47/16; A47J 47/201
See application file for complete search history.

(56) **References Cited**

U.S. PATENT DOCUMENTS

D582,120 S * 12/2008 Snell D32/55
D625,942 S * 10/2010 Yang D6/528

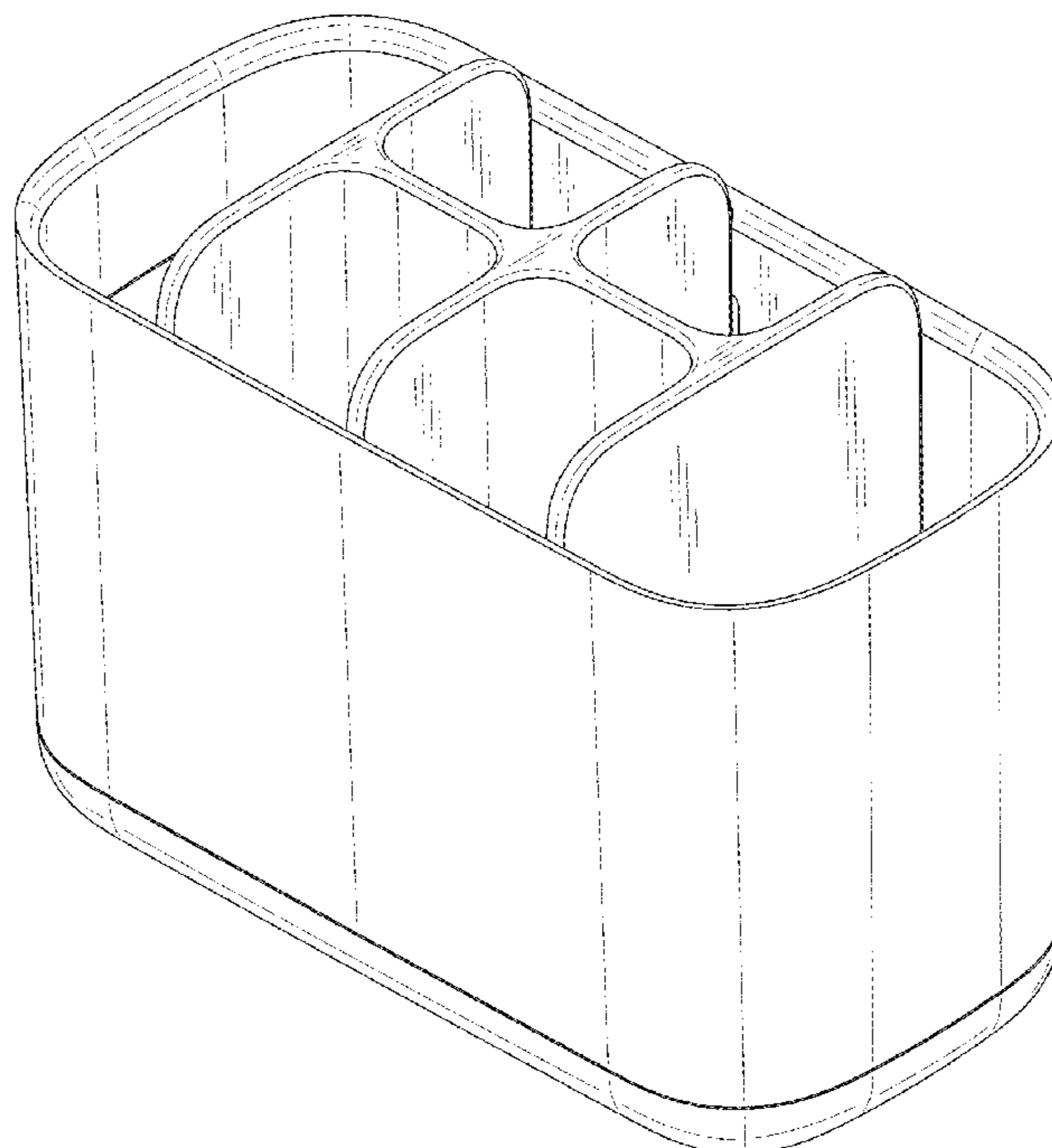
(57) **CLAIM**

The ornamental design for a large toothbrush caddy, as shown and described.

DESCRIPTION

FIG. 1 is a top perspective view of the large toothbrush caddy showing my new design.
FIG. 2 is a front view thereof.
FIG. 3 is a back view thereof.
FIG. 4 is a side view thereof.
FIG. 5 is another side view thereof.
FIG. 6 is a top view thereof.
FIG. 7 is a bottom view thereof.
FIG. 8 is a front top perspective exploded view thereof; and, FIG. 9 is a back top perspective exploded view thereof.
The broken lines in the drawings illustrate portions of the large toothbrush caddy which form no part of the claimed design and the dot dash broken lines show a bracket.

1 Claim, 9 Drawing Sheets



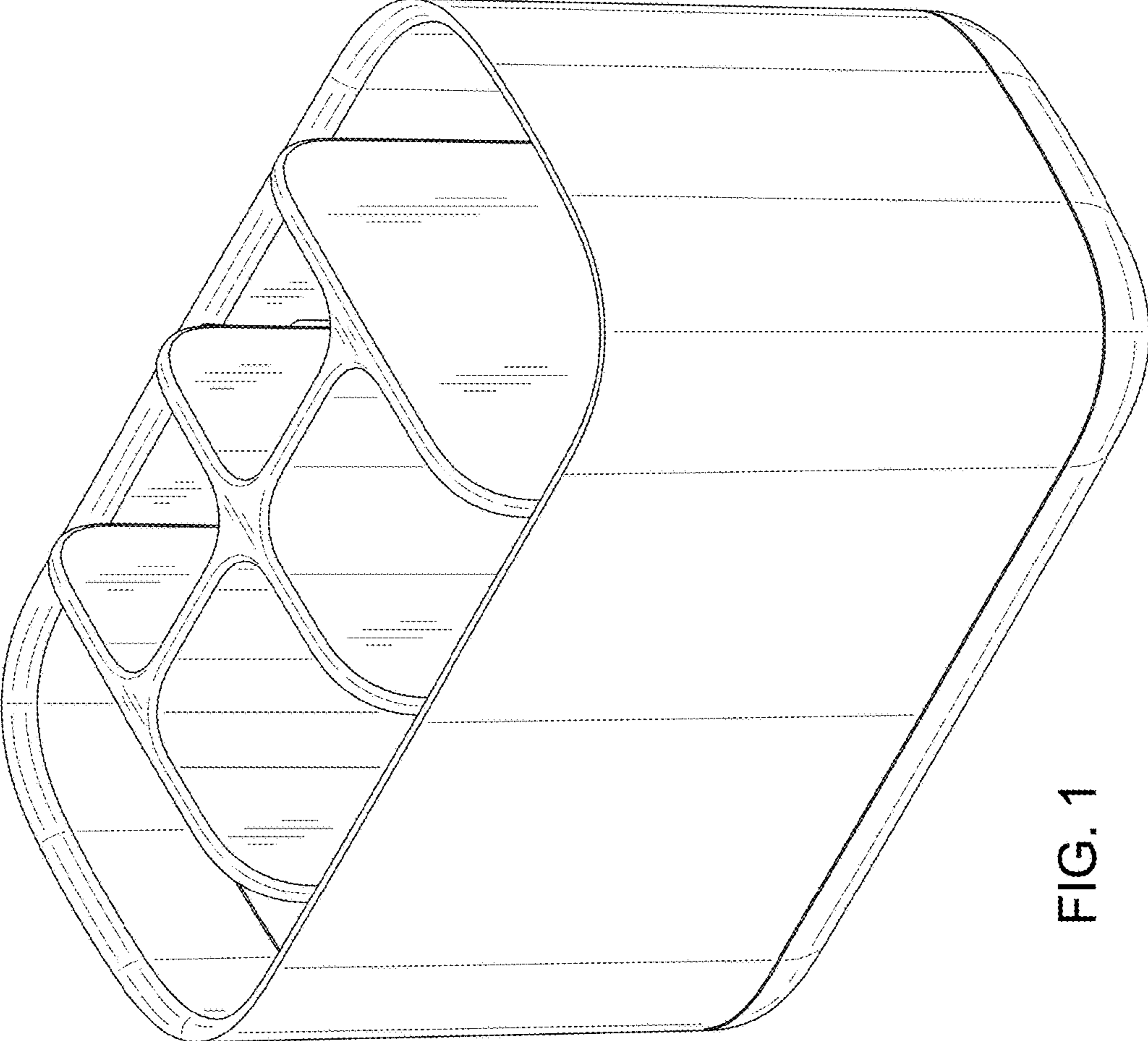


FIG. 1

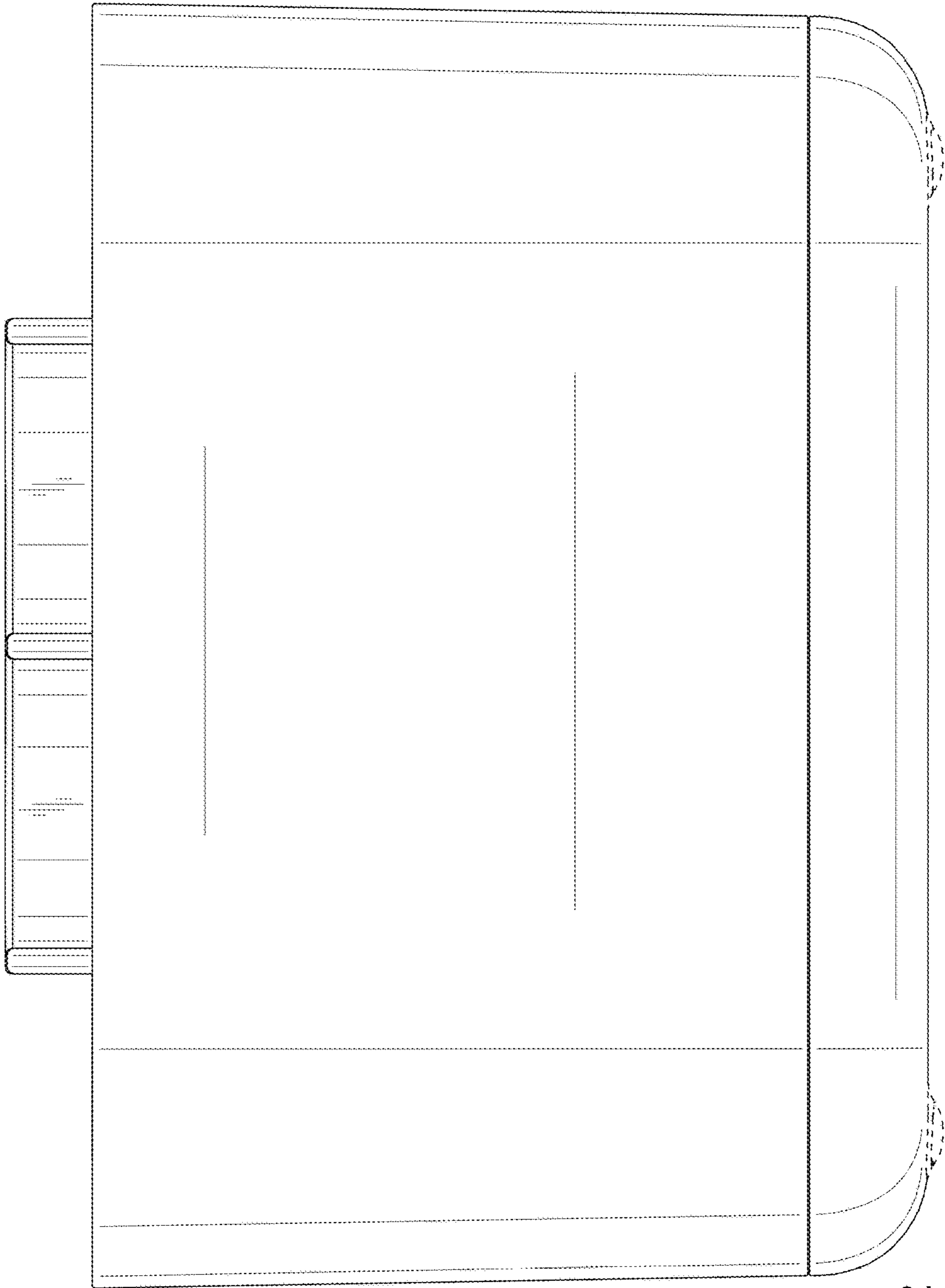


FIG. 2

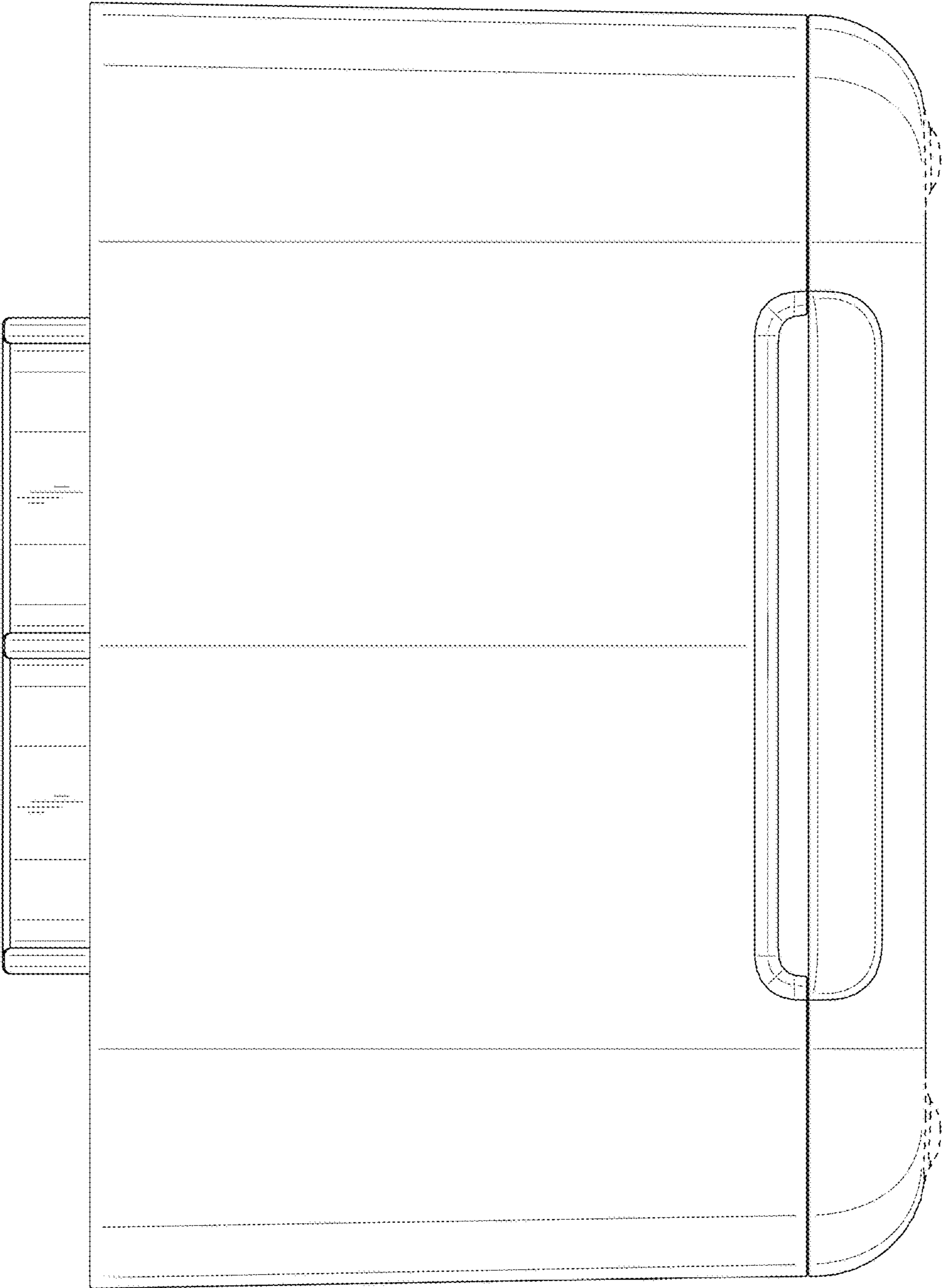


FIG. 3

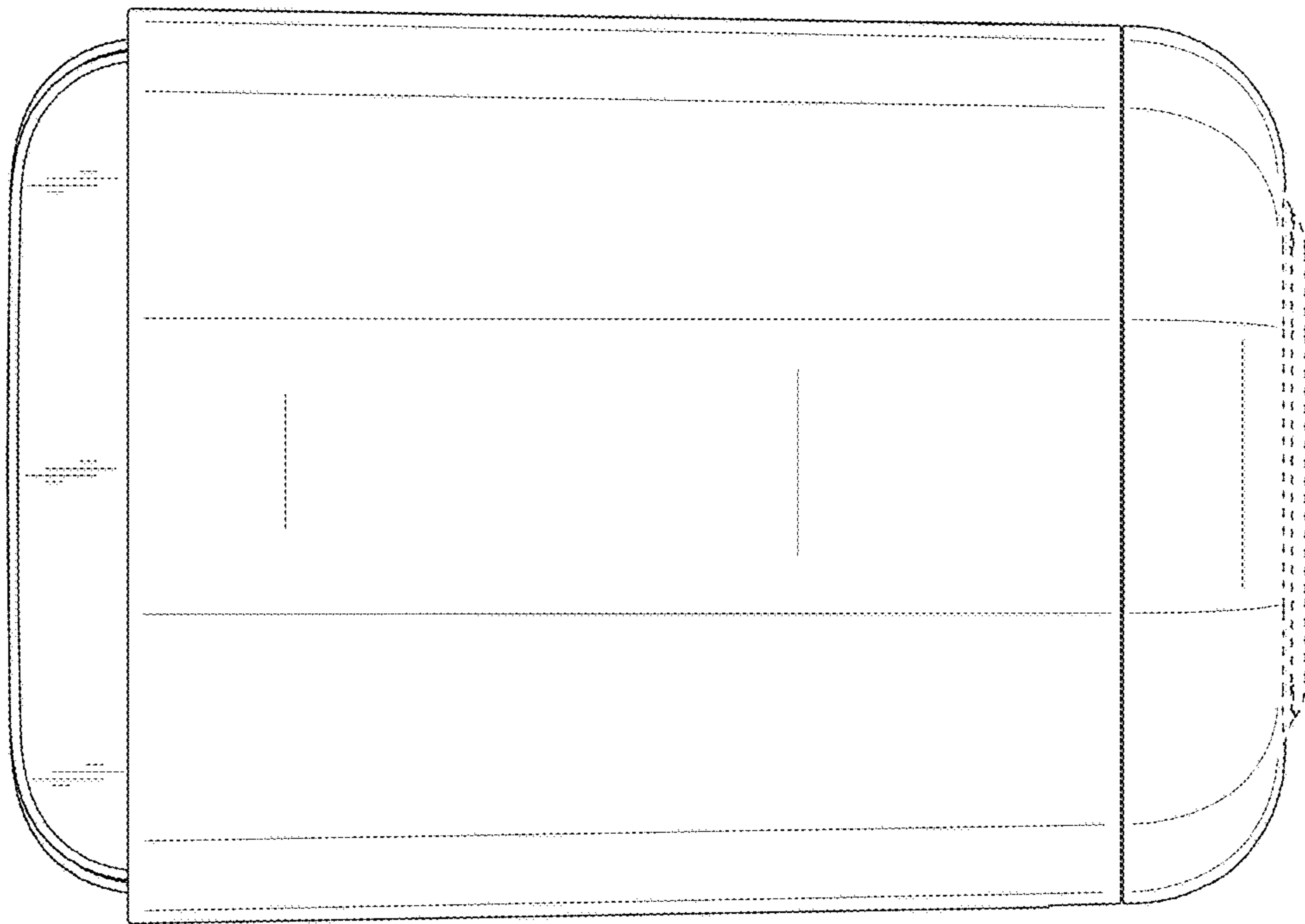


FIG. 4

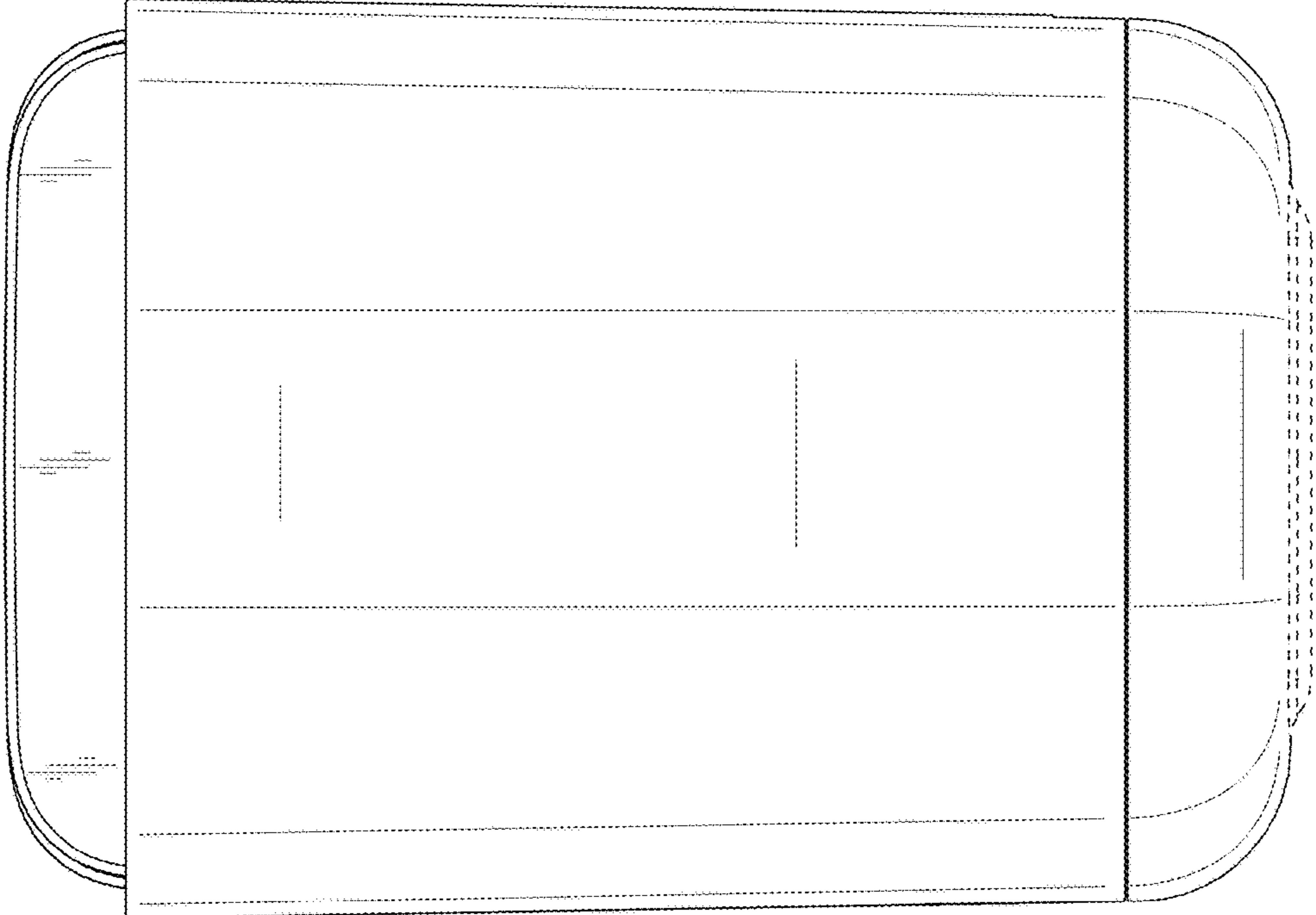


FIG. 5

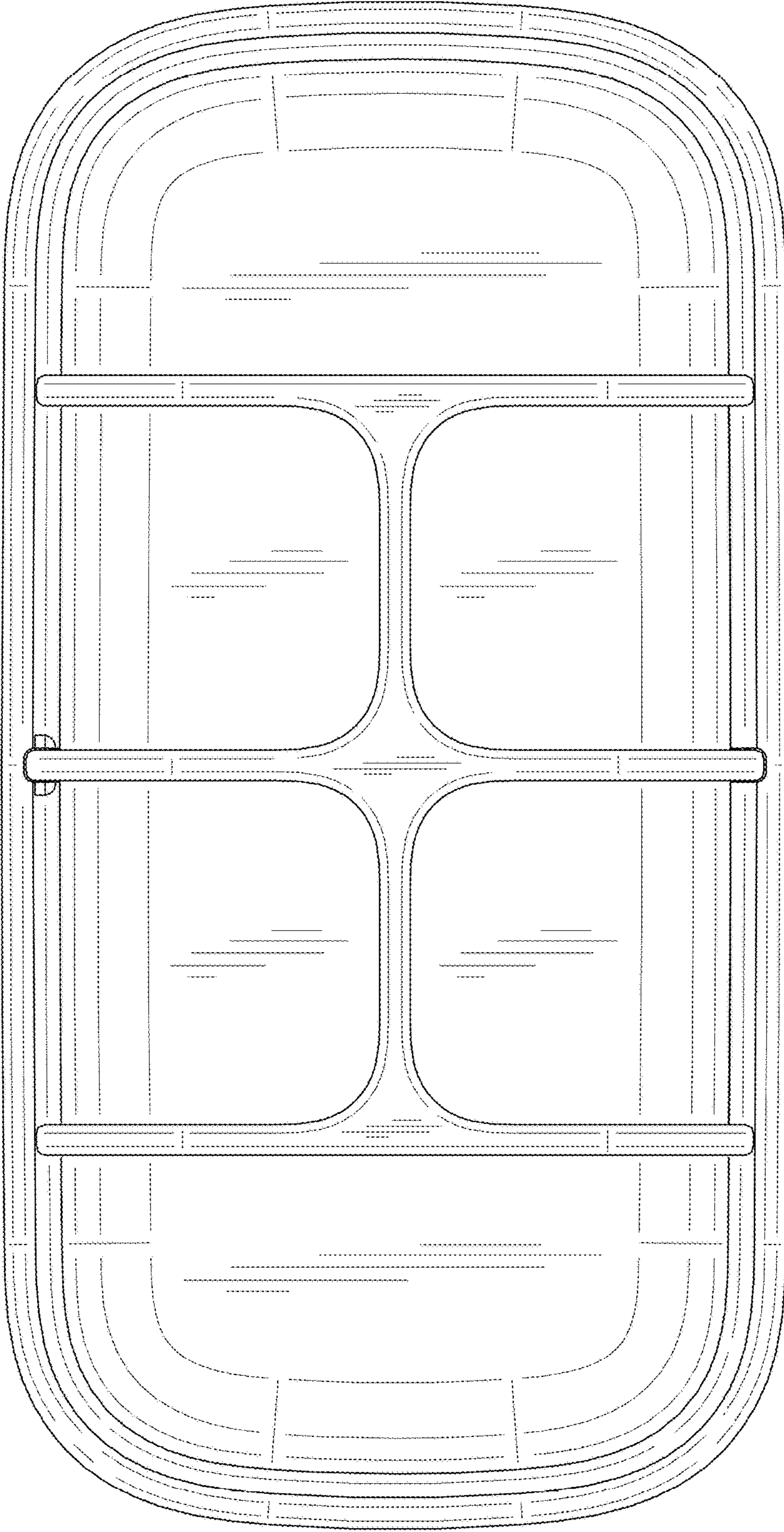


FIG. 6

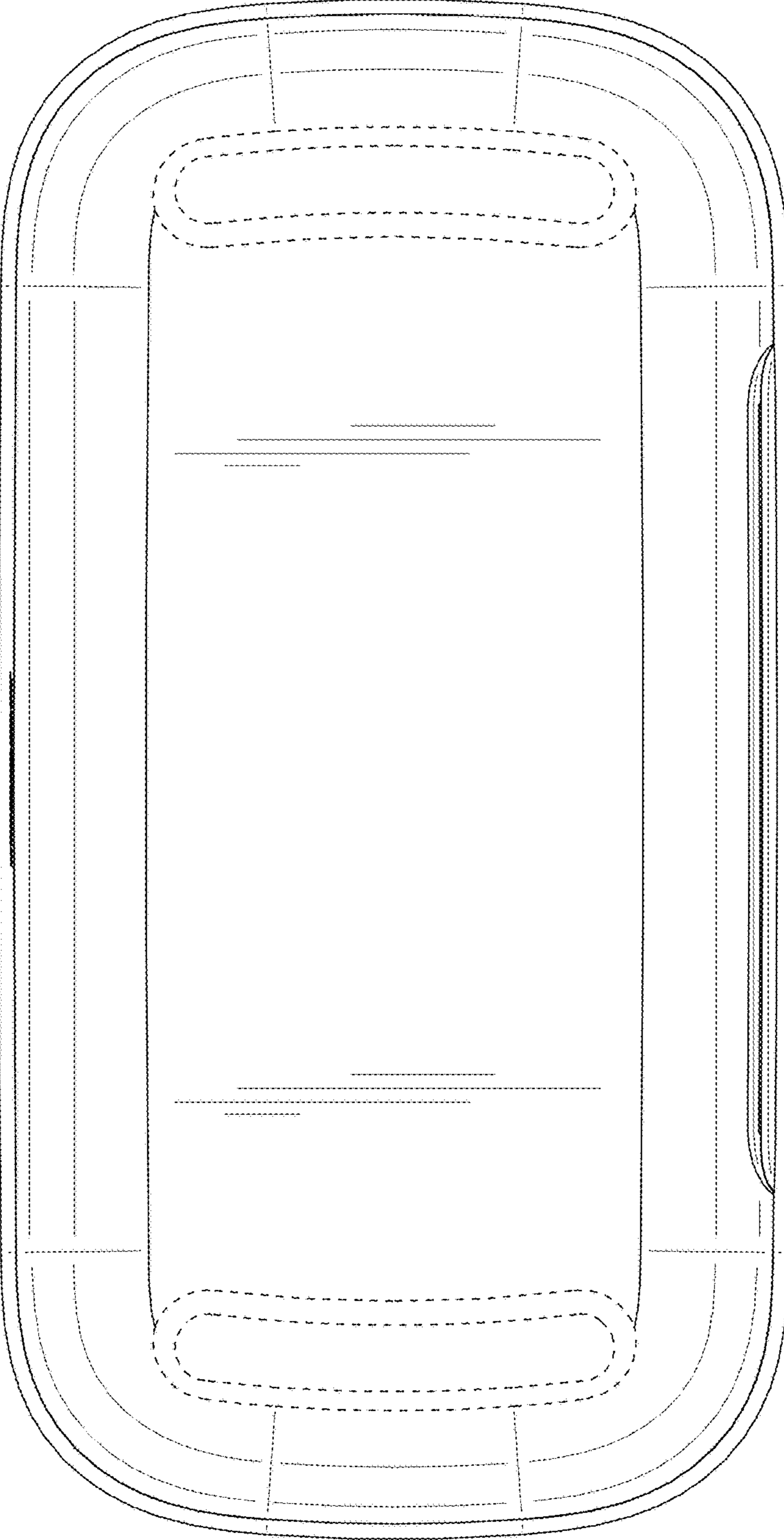


FIG. 7

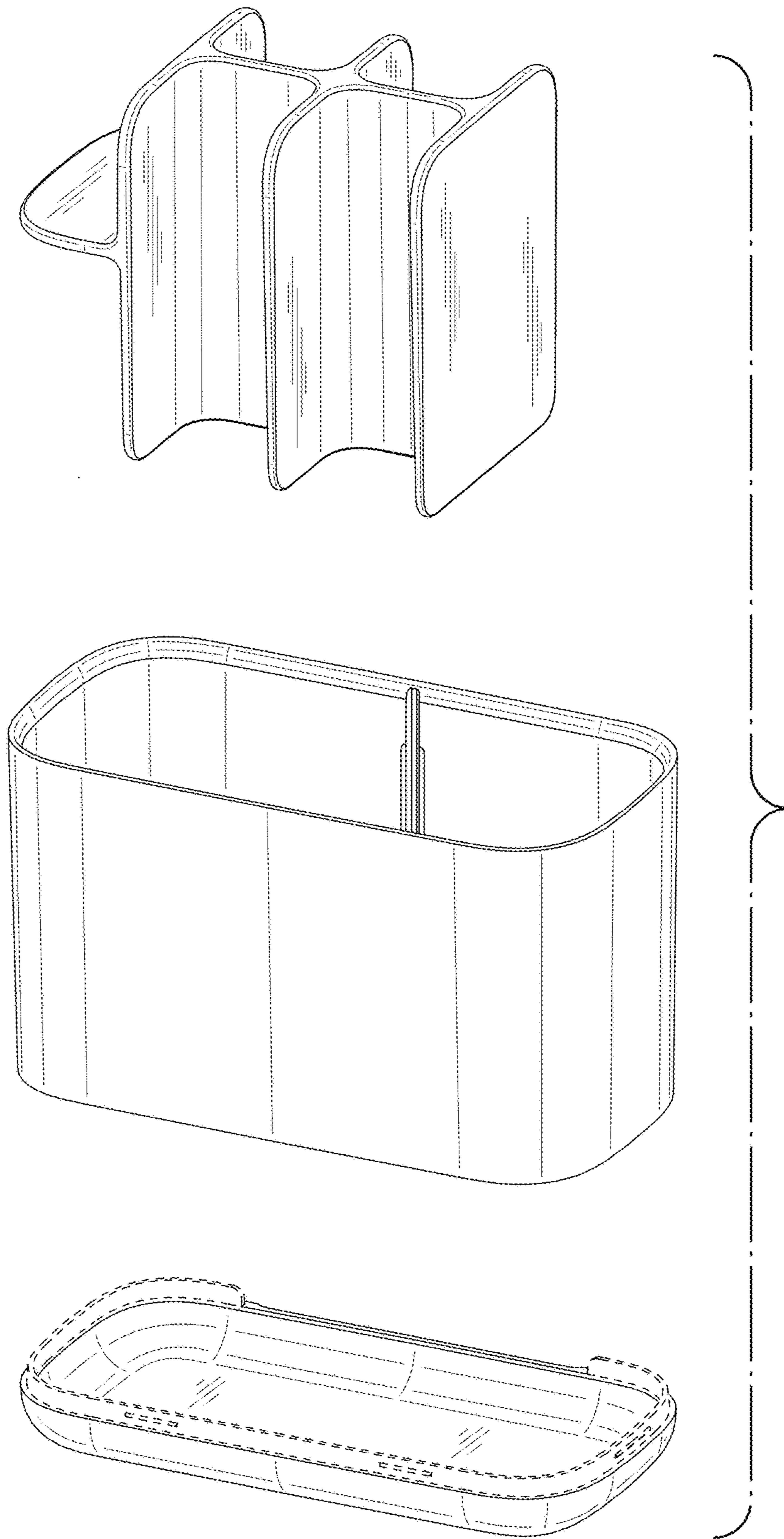


FIG. 8

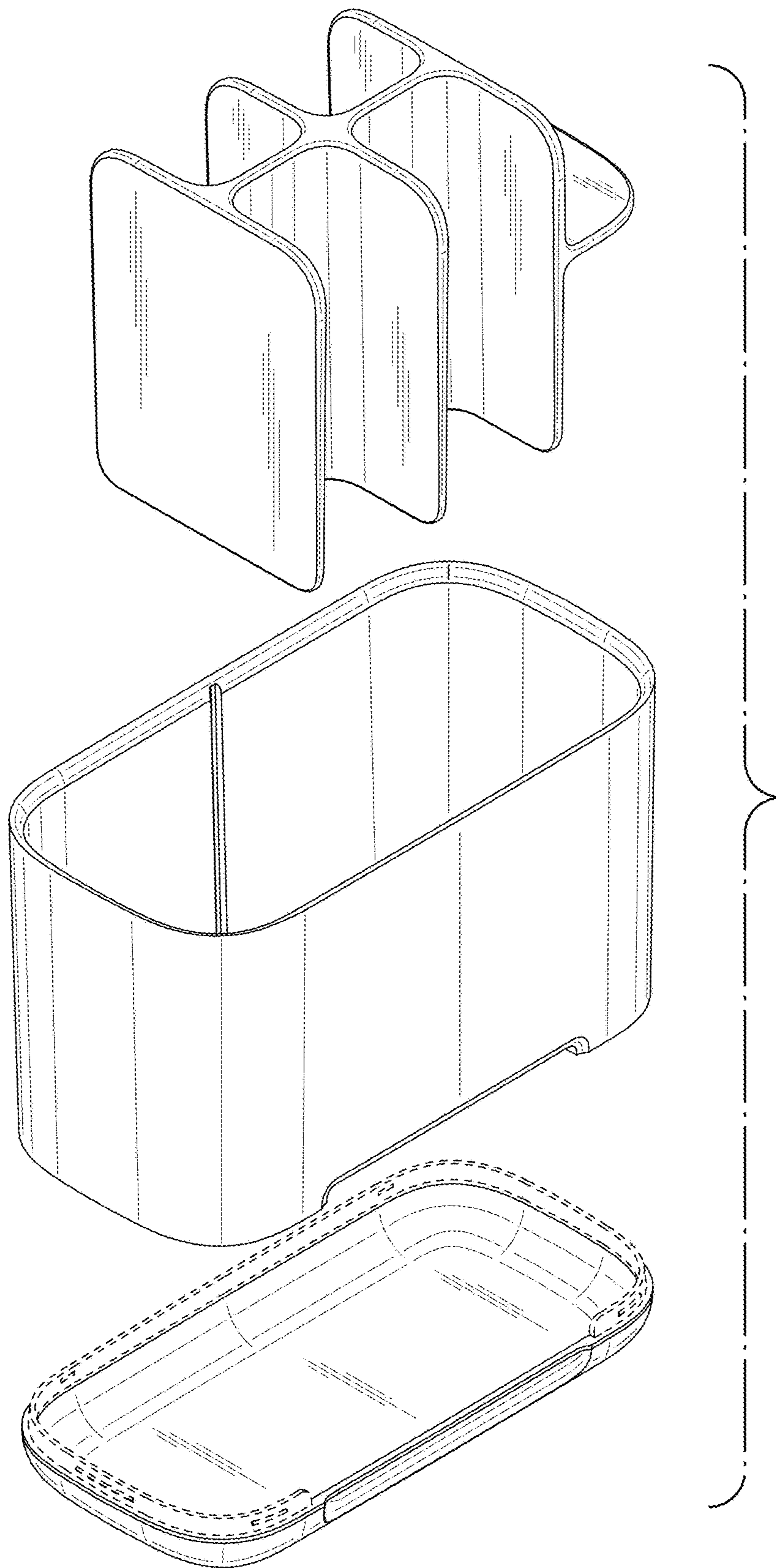


FIG. 9