



US00D827328S

(12) **United States Design Patent** (10) **Patent No.:** **US D827,328 S**
Joseph (45) **Date of Patent:** **** Sep. 4, 2018**

(54) **BATHROOM CADDY**

(71) Applicant: **Joseph Joseph Ltd.**, London (GB)

(72) Inventor: **Antony Joseph**, London (GB)

(73) Assignee: **JOSEPH JOSEPH LTD.**, London (GB)

(**) Term: **15 Years**

(21) Appl. No.: **29/614,890**

(22) Filed: **Aug. 24, 2017**

(30) **Foreign Application Priority Data**

Mar. 8, 2017 (EM) 003789437-0003

(51) **LOC (11) Cl.** **23-02**

(52) **U.S. Cl.**
USPC **D6/525**

(58) **Field of Classification Search**
USPC D6/525, 553, 524, 536, 540, 566, 534;
211/13.1, 71.01, 74, 75, 86.01, 126.1,
211/133.5, 134, 181.1; D32/52, 55;
D34/7
CPC A47K 17/00; A47K 3/281; A47K 3/001;
A47K 3/004; A47K 5/00; A47K 5/03;
B23P 17/04; A47B 57/265; A47B 57/565;
A47B 57/26; A47J 47/16; A47J 47/201
See application file for complete search history.

(56) **References Cited**

U.S. PATENT DOCUMENTS

D551,002 S *	9/2007	Snell	D6/525
D556,407 S *	11/2007	Snell	D19/75
D566,919 S *	4/2008	Snell	D32/55
D731,728 S *	6/2015	Evans	D32/55
D763,597 S *	8/2016	Citterio	D6/525
D781,069 S *	3/2017	Marshall	D6/553

* cited by examiner

Primary Examiner — Wan Laymon

Assistant Examiner — Mark Booker

(74) *Attorney, Agent, or Firm* — Millen, White, Zelano & Branigan, PC

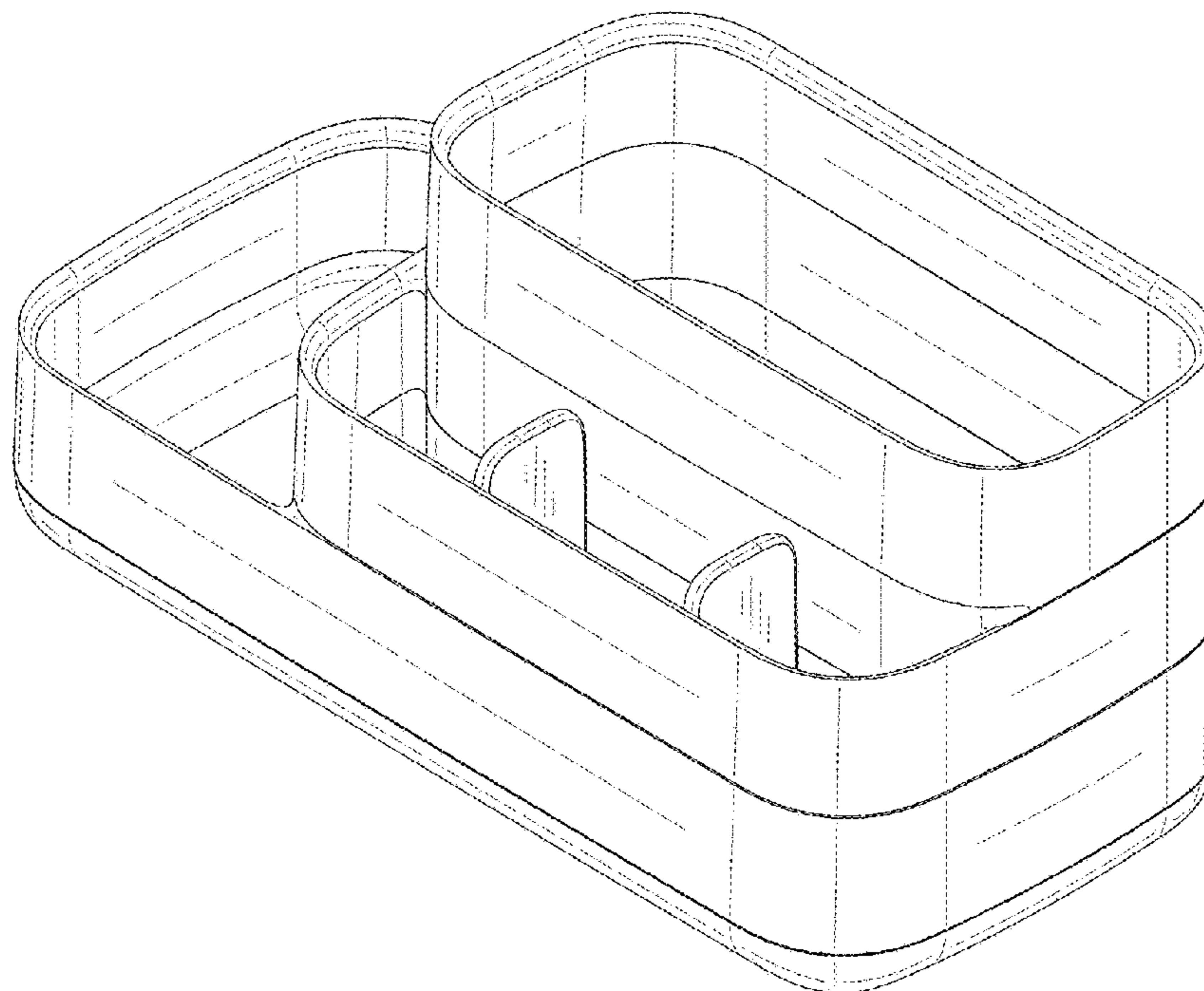
(57) **CLAIM**

The ornamental design for a bathroom caddy, as shown and described.

DESCRIPTION

FIG. 1 is a top perspective view of the bathroom caddy showing my new design.
FIG. 2 is a front view thereof.
FIG. 3 is a back view thereof.
FIG. 4 is a side view thereof.
FIG. 5 is another side view thereof.
FIG. 6 is a top view thereof; and,
FIG. 7 is a bottom view thereof.
The broken lines in the drawings illustrate portions of the bathroom caddy which form no part of the claimed design.

1 Claim, 7 Drawing Sheets



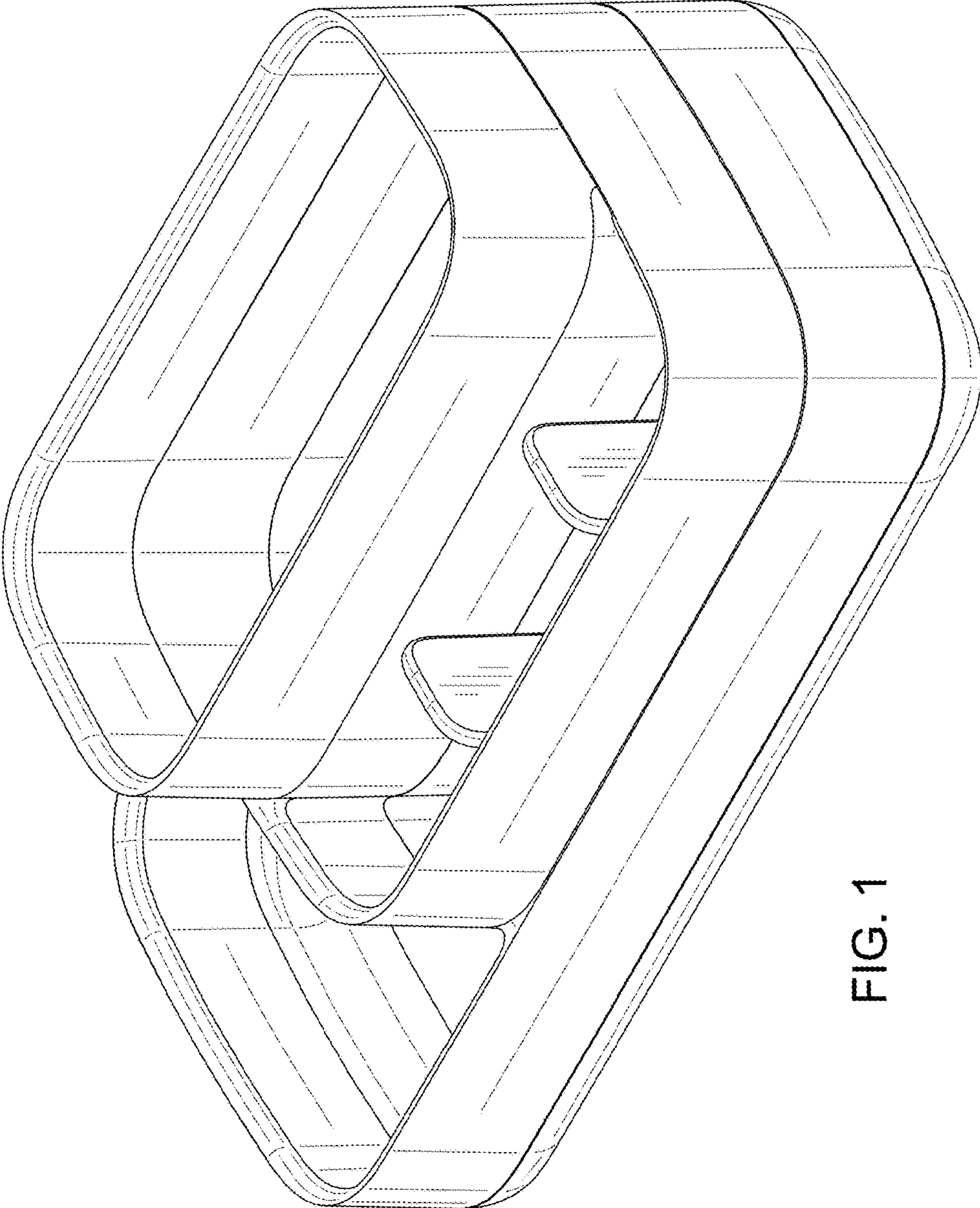


FIG. 1

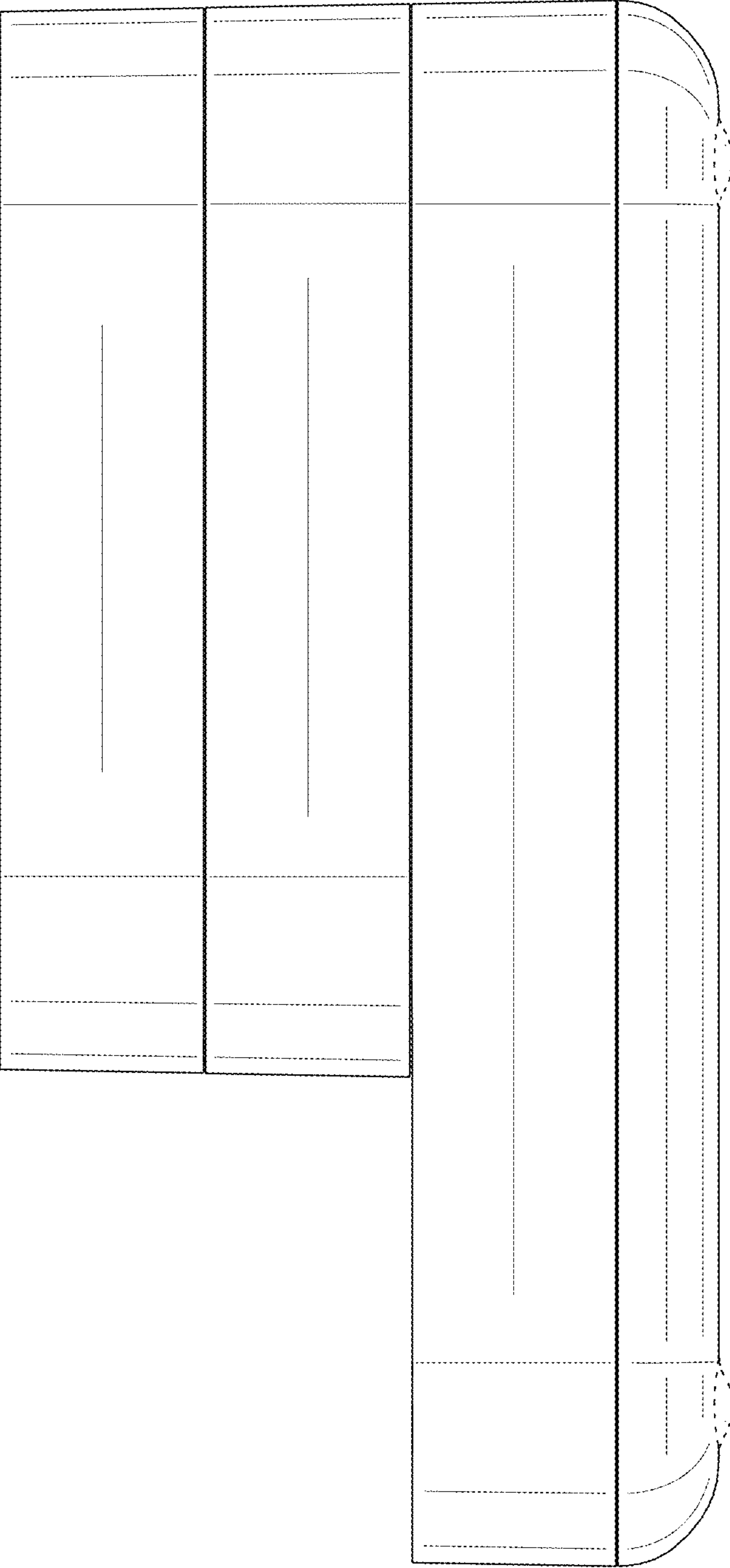


FIG. 2

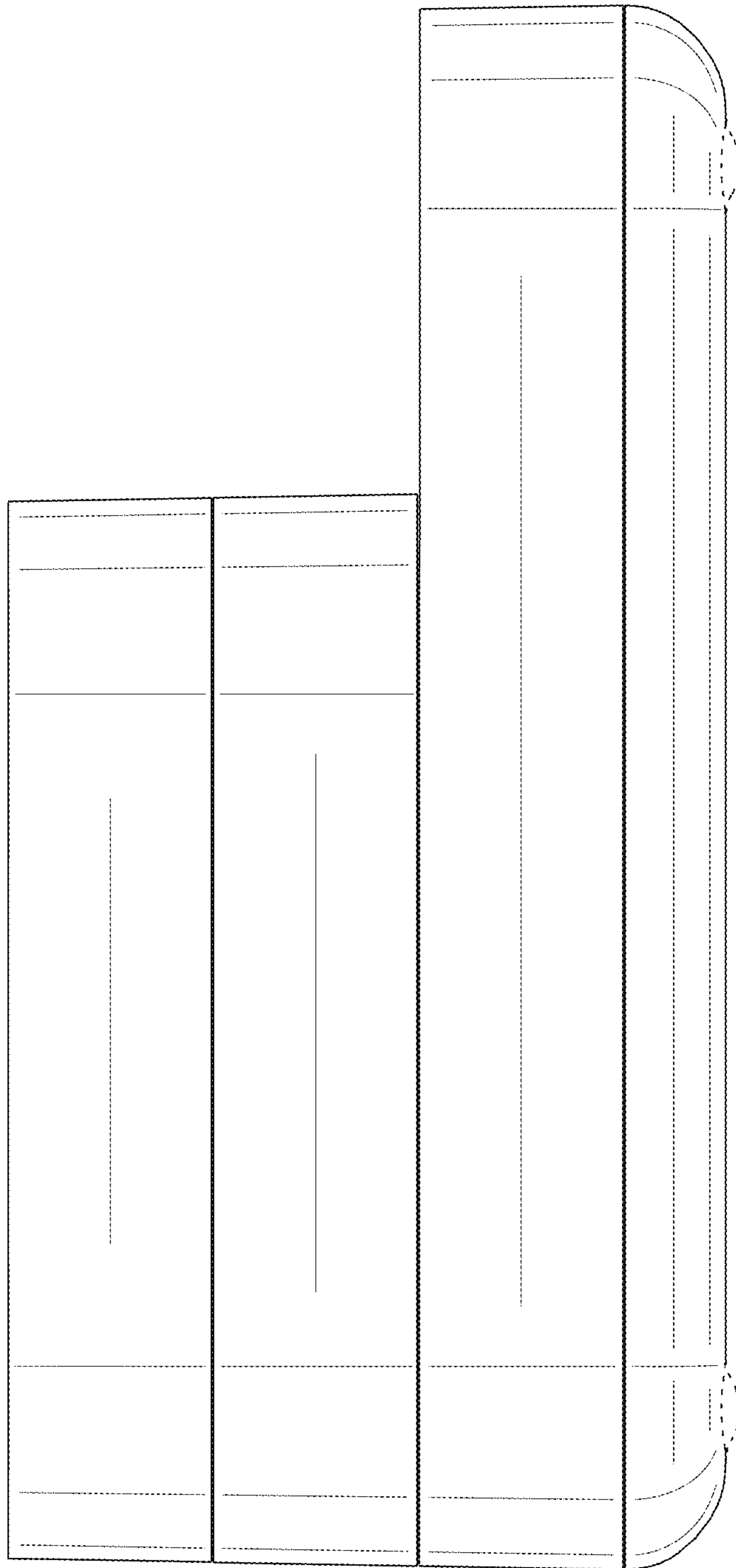


FIG. 3

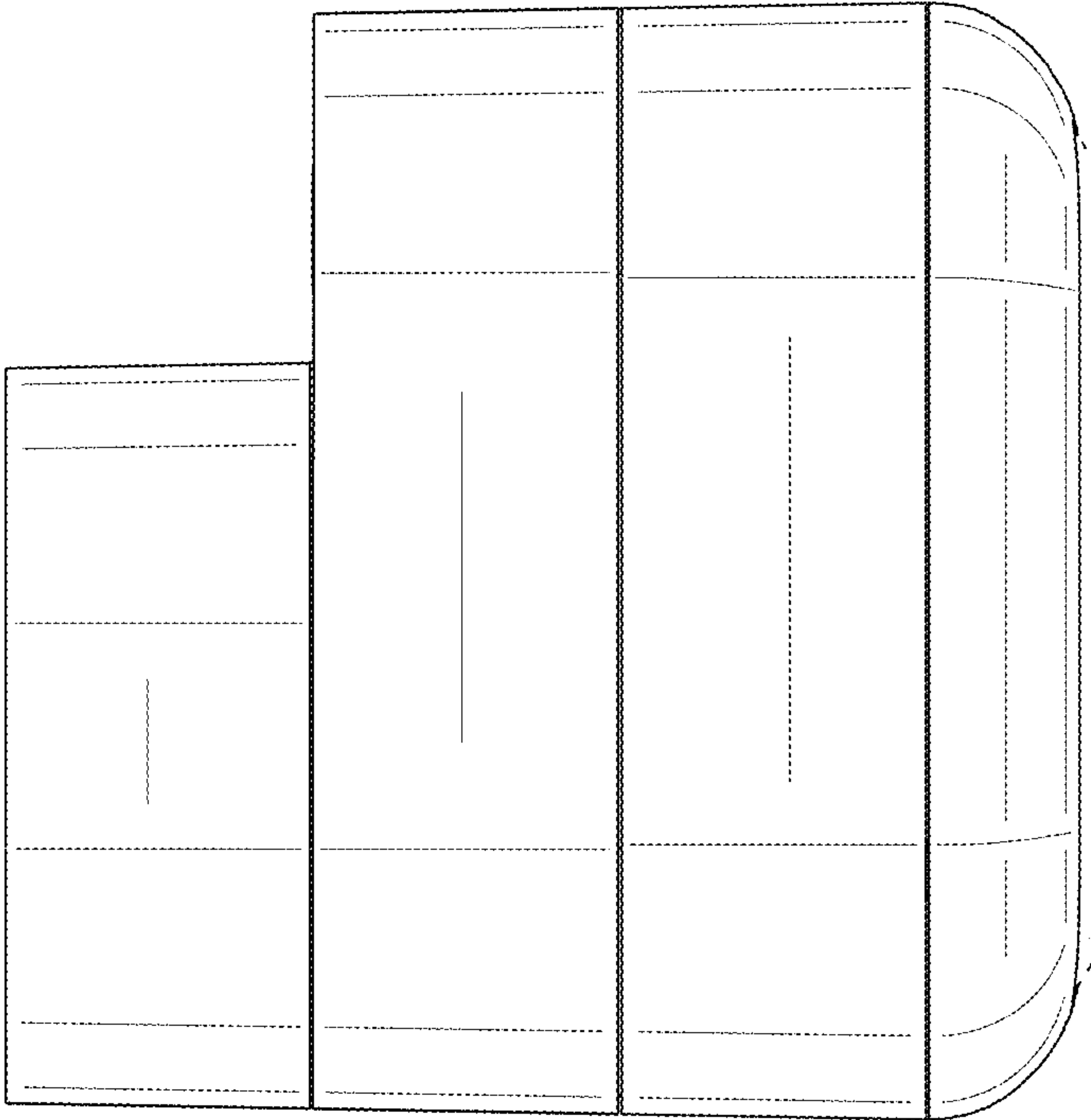


FIG. 4

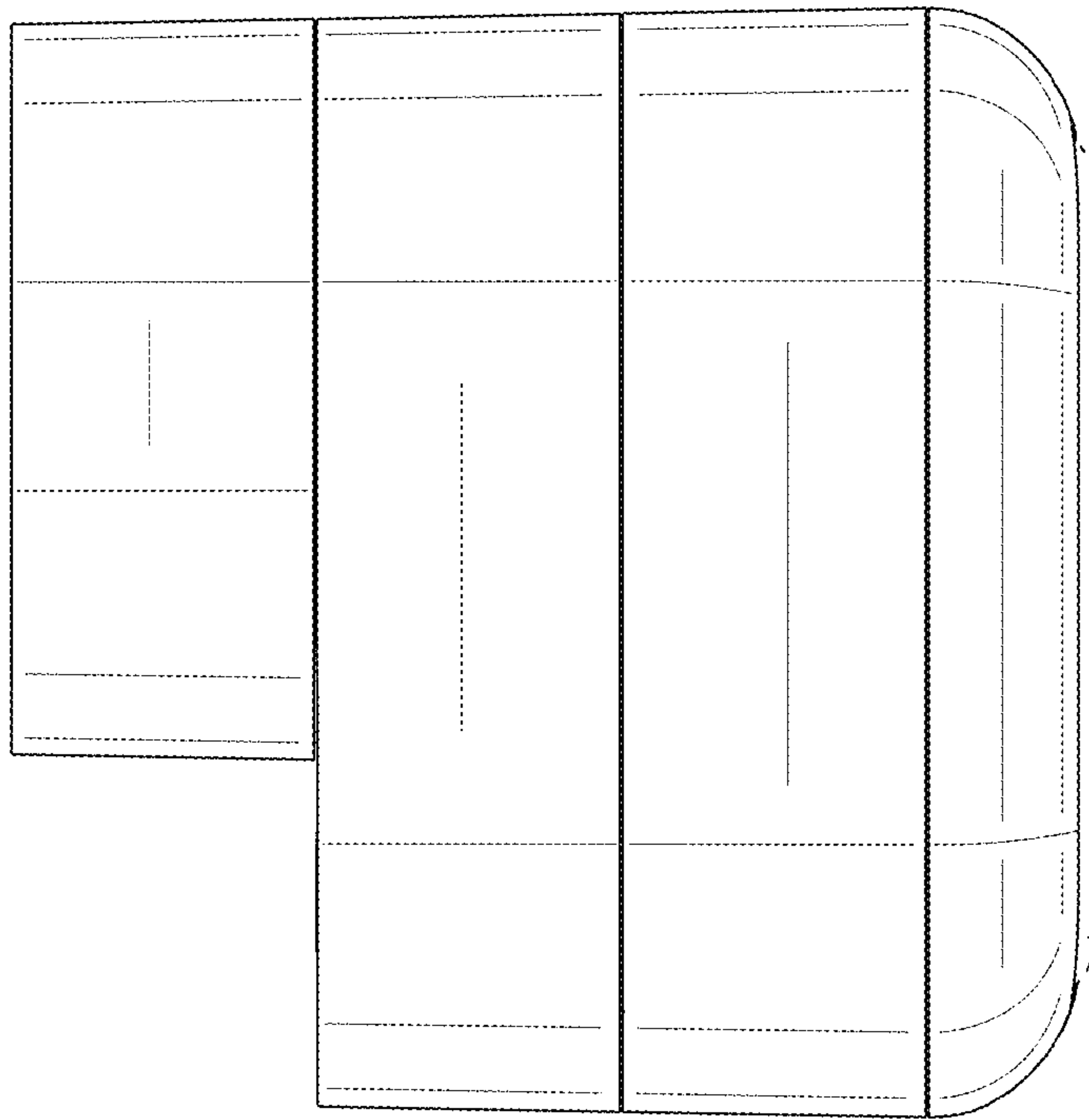


FIG. 5

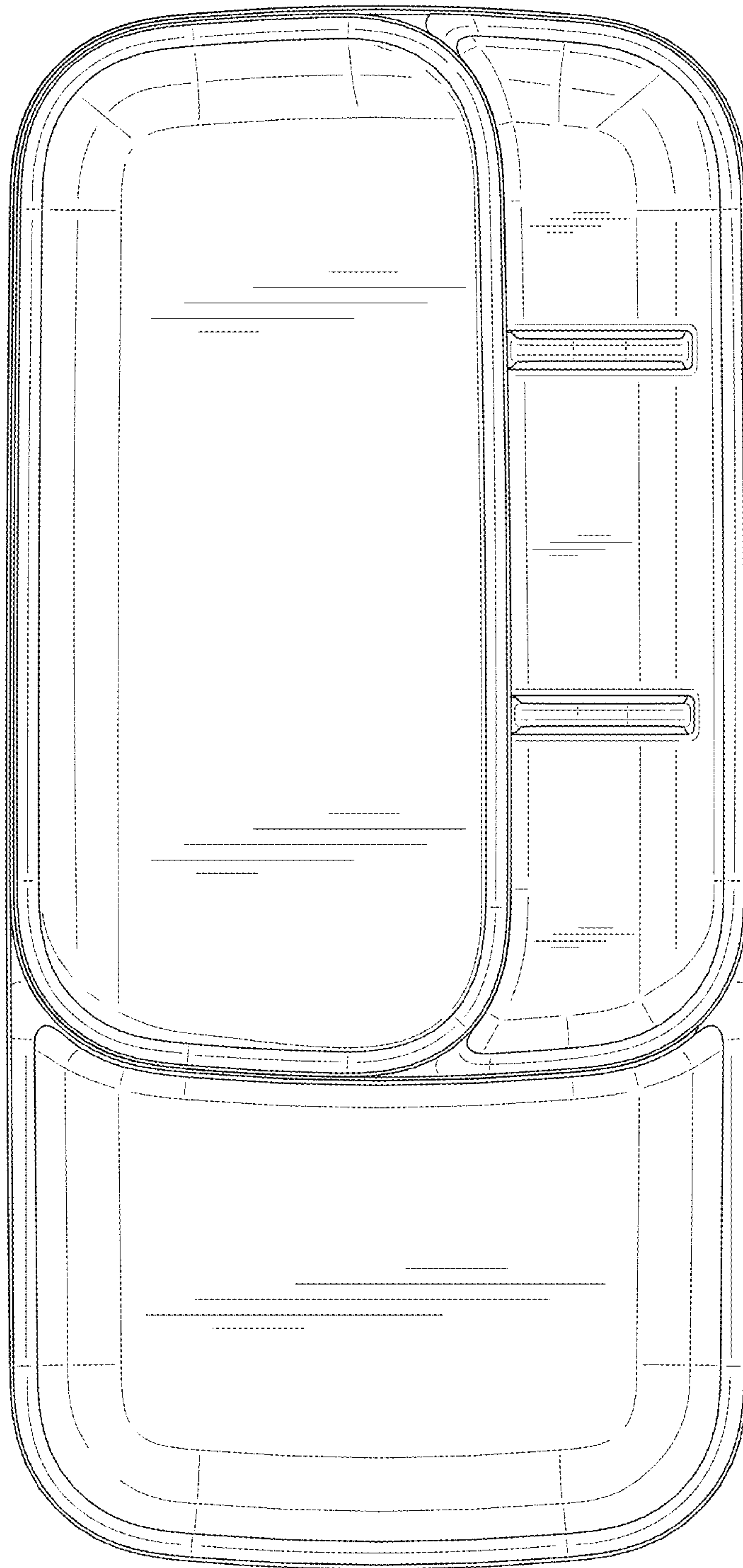


FIG. 6

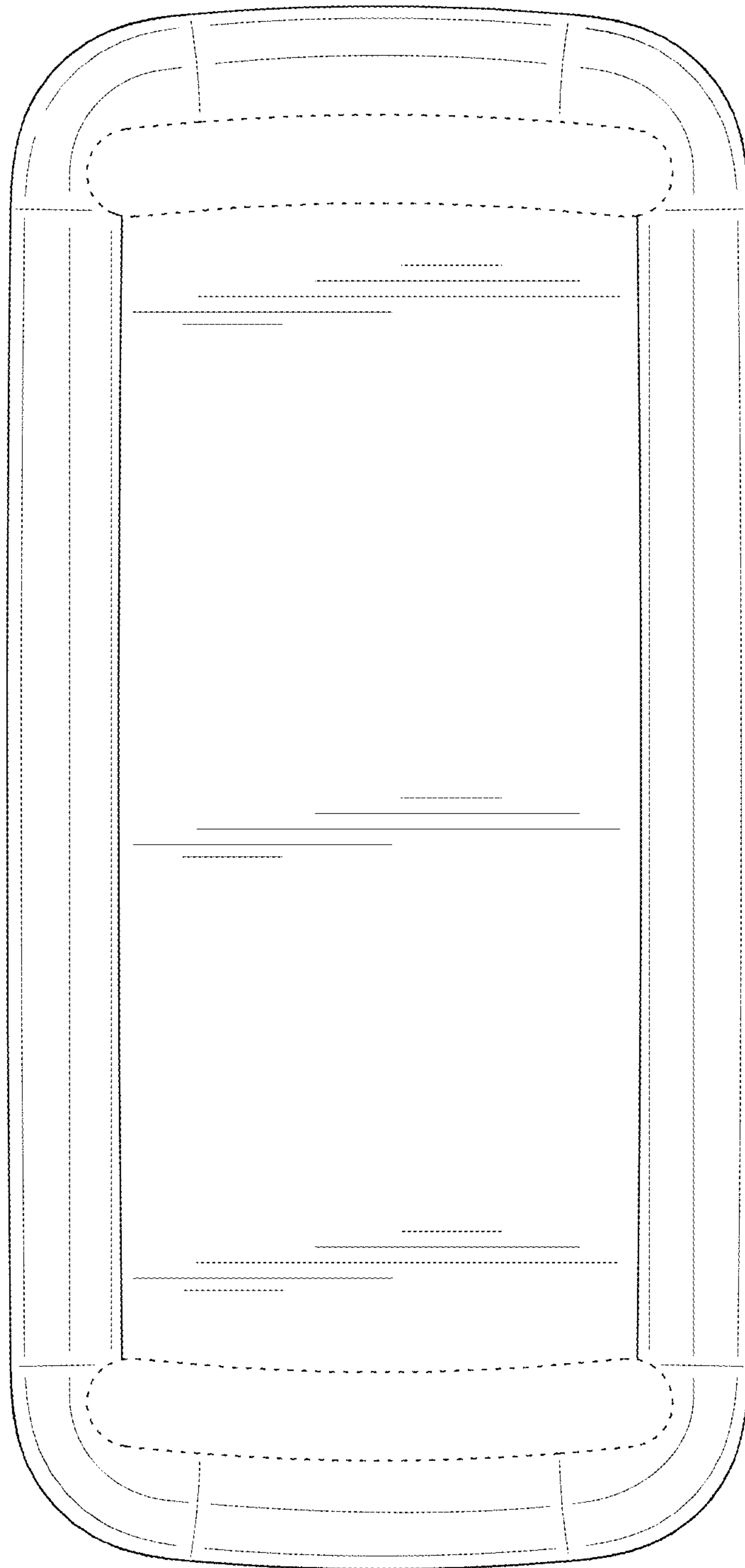


FIG. 7