



US00D827326S

(12) **United States Design Patent** (10) **Patent No.:** **US D827,326 S**  
**Sealey** (45) **Date of Patent:** **\*\* Sep. 4, 2018**

(54) **ROLL HOLDER**

(71) Applicant: **Samuel Sealey**, Pottsville (AU)

(72) Inventor: **Samuel Sealey**, Pottsville (AU)

(\*\*) Term: **15 Years**

(21) Appl. No.: **29/587,227**

(22) Filed: **Dec. 12, 2016**

(51) **LOC (11) Cl.** ..... **23-02**

(52) **U.S. Cl.**

USPC ..... **D6/523**

(58) **Field of Classification Search**

USPC ..... D6/518-524, 546-550; D8/300, 303,  
D8/315-318, 319-321; 16/110.1, 415;  
108/28-29; 211/13.1, 16, 60.1, 86.01,  
211/87.01, 88.01, 88.04, 100, 105.1,  
211/105.2, 123, 181.1, 182; 242/570,  
242/590, 595-598, 564.4, 596.3, 599;  
248/175, 176.1, 251, 302

CPC .... A47K 10/40; A47K 10/3836; A47K 10/38;  
A47K 2010/322; A47K 2010/3233; A47K  
2201/02; A47K 10/24; A47K 10/16;  
A47K 10/32; A47K 10/3809; A47K  
2010/3872; B65H 75/08; A47B 81/007  
See application file for complete search history.

(56) **References Cited**

**U.S. PATENT DOCUMENTS**

D393,972 S \* 5/1998 Kato ..... D6/523  
6,431,493 B1 \* 8/2002 Stauner ..... A47K 10/40  
242/598.3  
D701,393 S \* 3/2014 Boeltl ..... D6/523  
2007/0228209 A1 \* 10/2007 Burnett ..... A47K 10/40  
242/599

**OTHER PUBLICATIONS**

WG Wood Products, In-the-wall Plastic Toilet Paper Holder Feb. 3, 2013, www.wgwoodproducts.com, http://www.wgwoodproducts.com/store/agora.cgi?&p\_id=PLTP-1&xm=on&ppinc=search2, 2 pages, retrieved on Jan. 4, 2017 (Year: 2013).\*

\* cited by examiner

*Primary Examiner* — Wan Laymon

*Assistant Examiner* — Mark Booker

(74) *Attorney, Agent, or Firm* — Lowenstein Sandler LLP

(57) **CLAIM**

The ornamental design for a roll holder, as shown and described.

**DESCRIPTION**

FIG. 1 is a front perspective view of a roll holder of my new design.

FIG. 2 is a front view thereof.

FIG. 3 is a left side view thereof.

FIG. 4 is a right side view thereof.

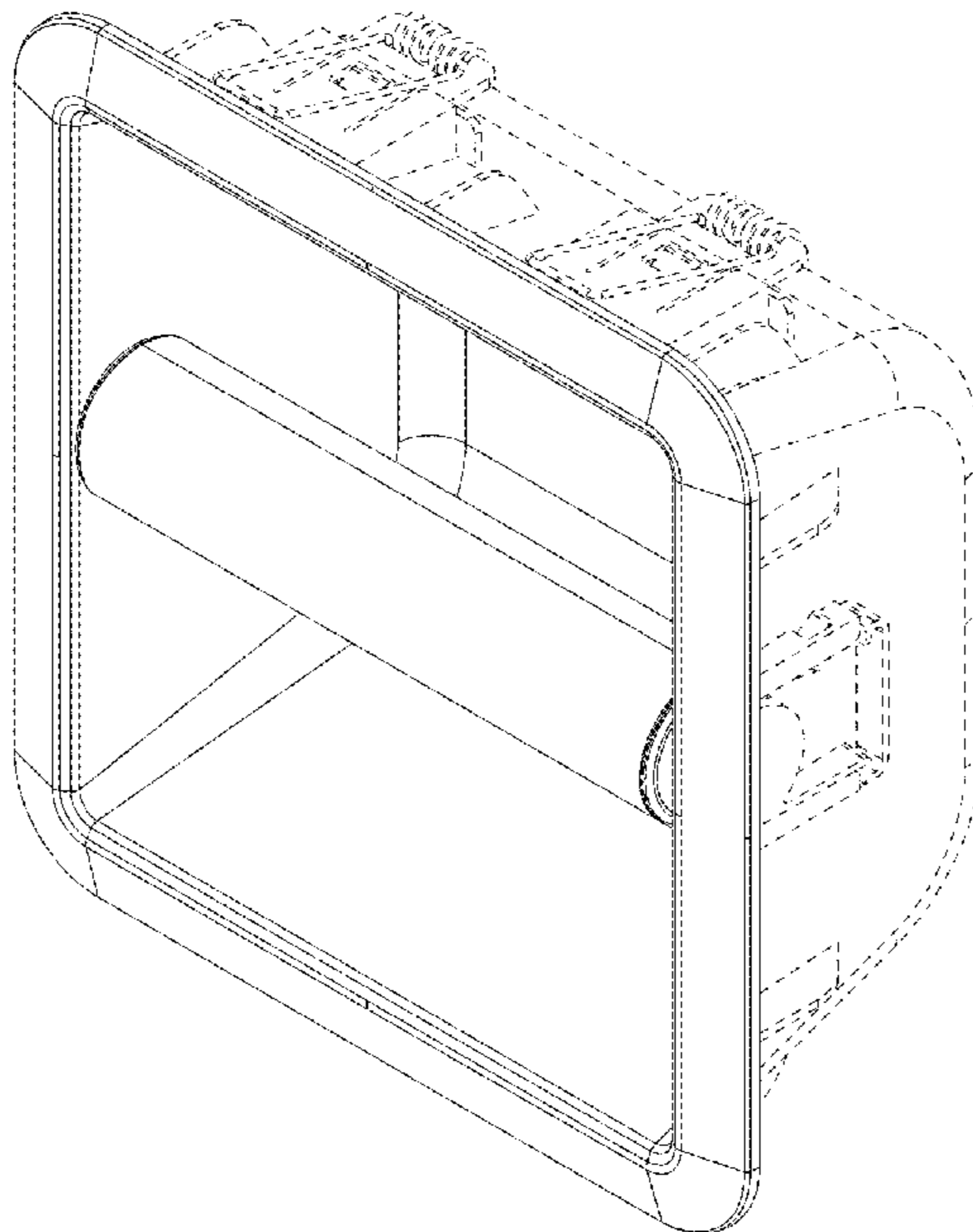
FIG. 5 is a top view thereof.

FIG. 6 is bottom view thereof; and,

FIG. 7 is rear view thereof.

The broken lines shown in the drawing figures represent portions of the roll holder that form no part of the claimed design.

**1 Claim, 7 Drawing Sheets**



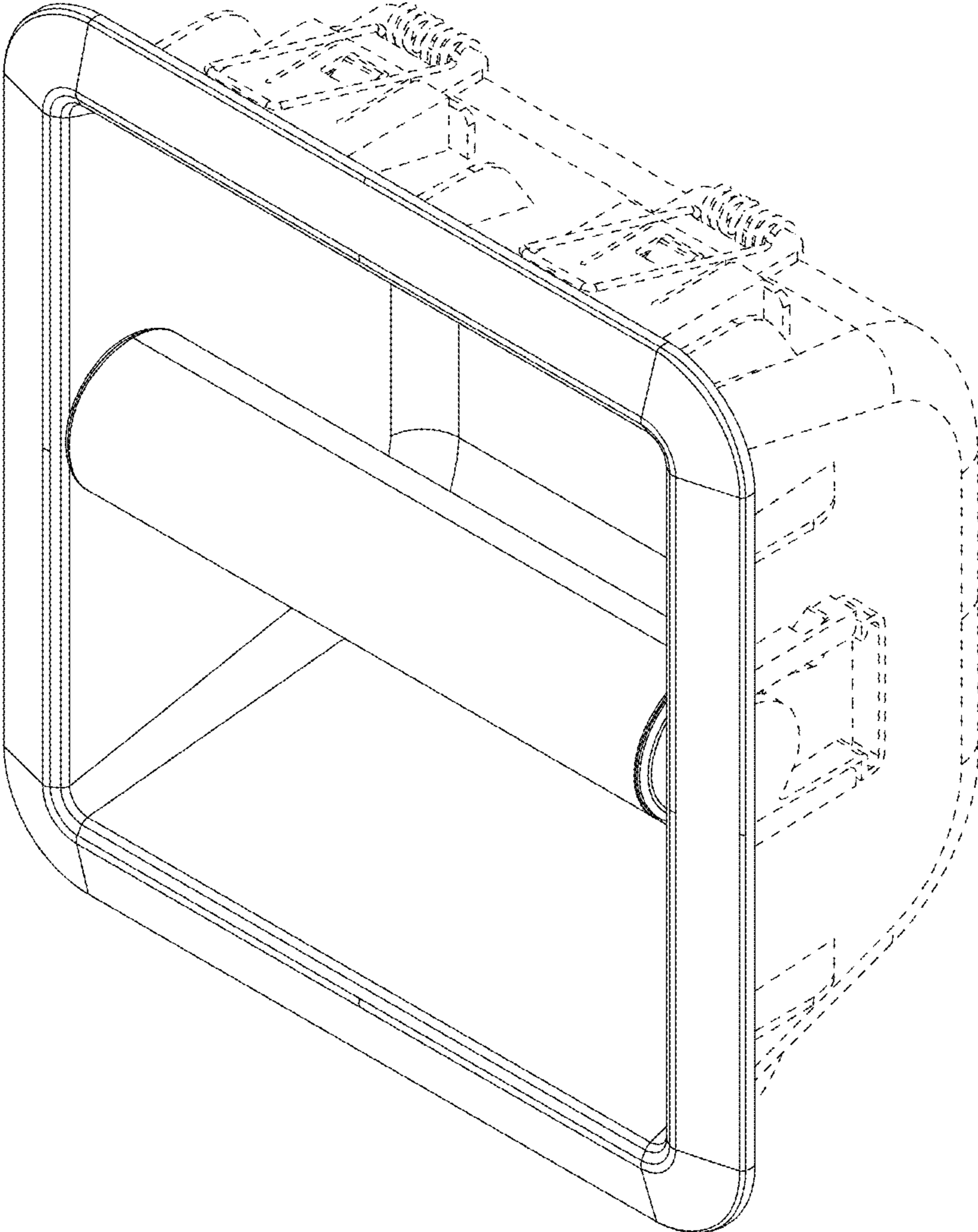


Fig. 1

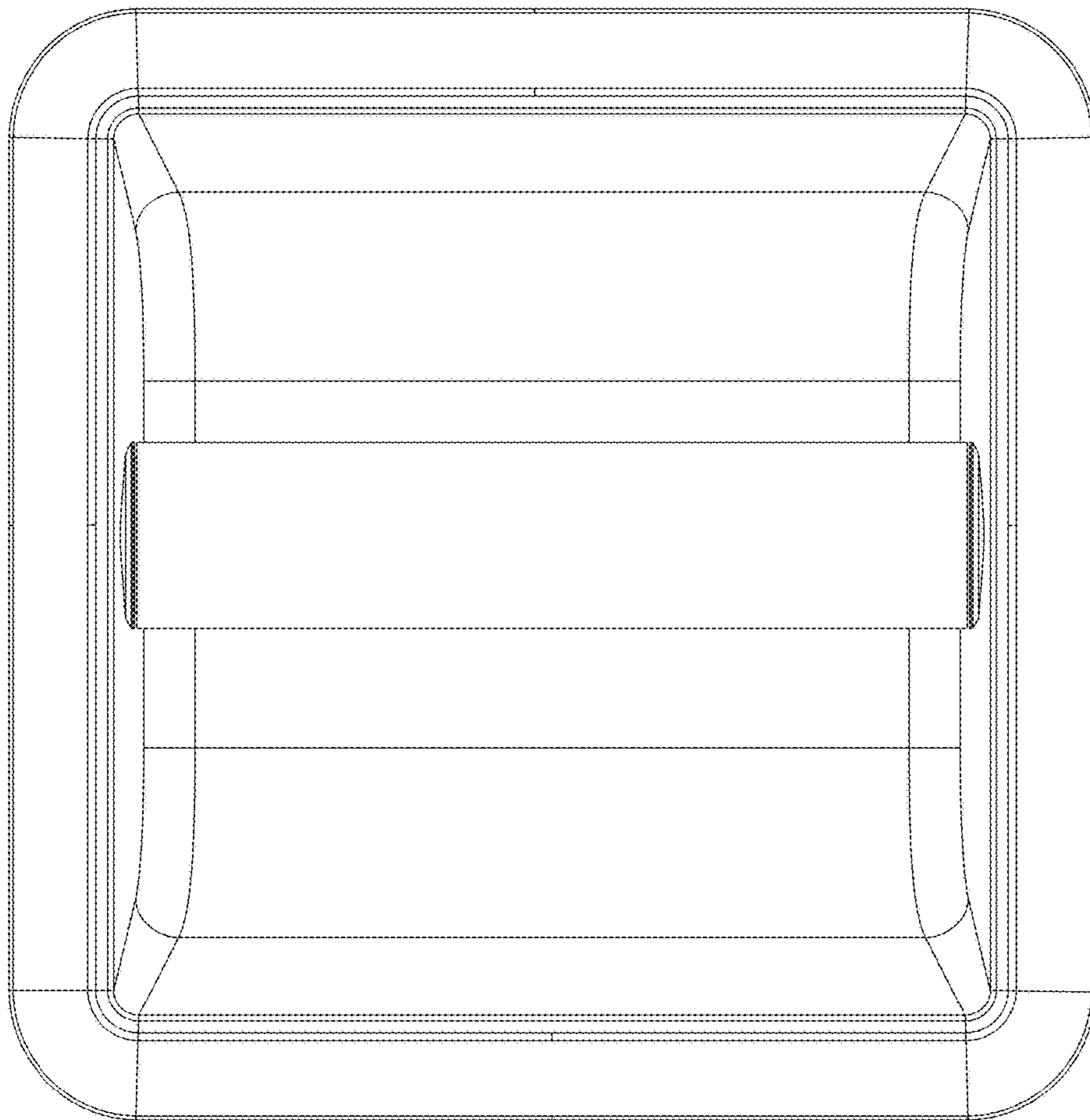


Fig. 2

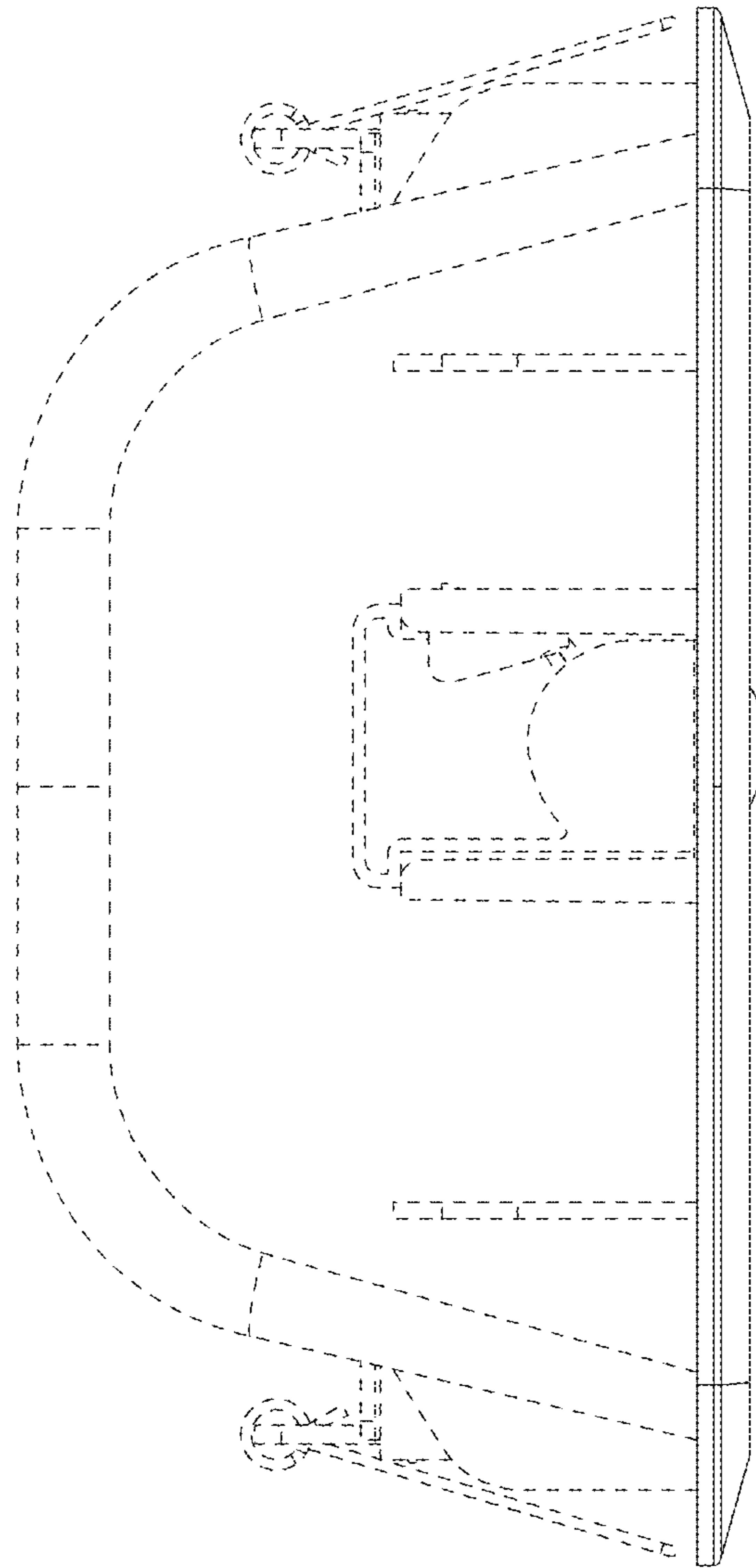


Fig. 3

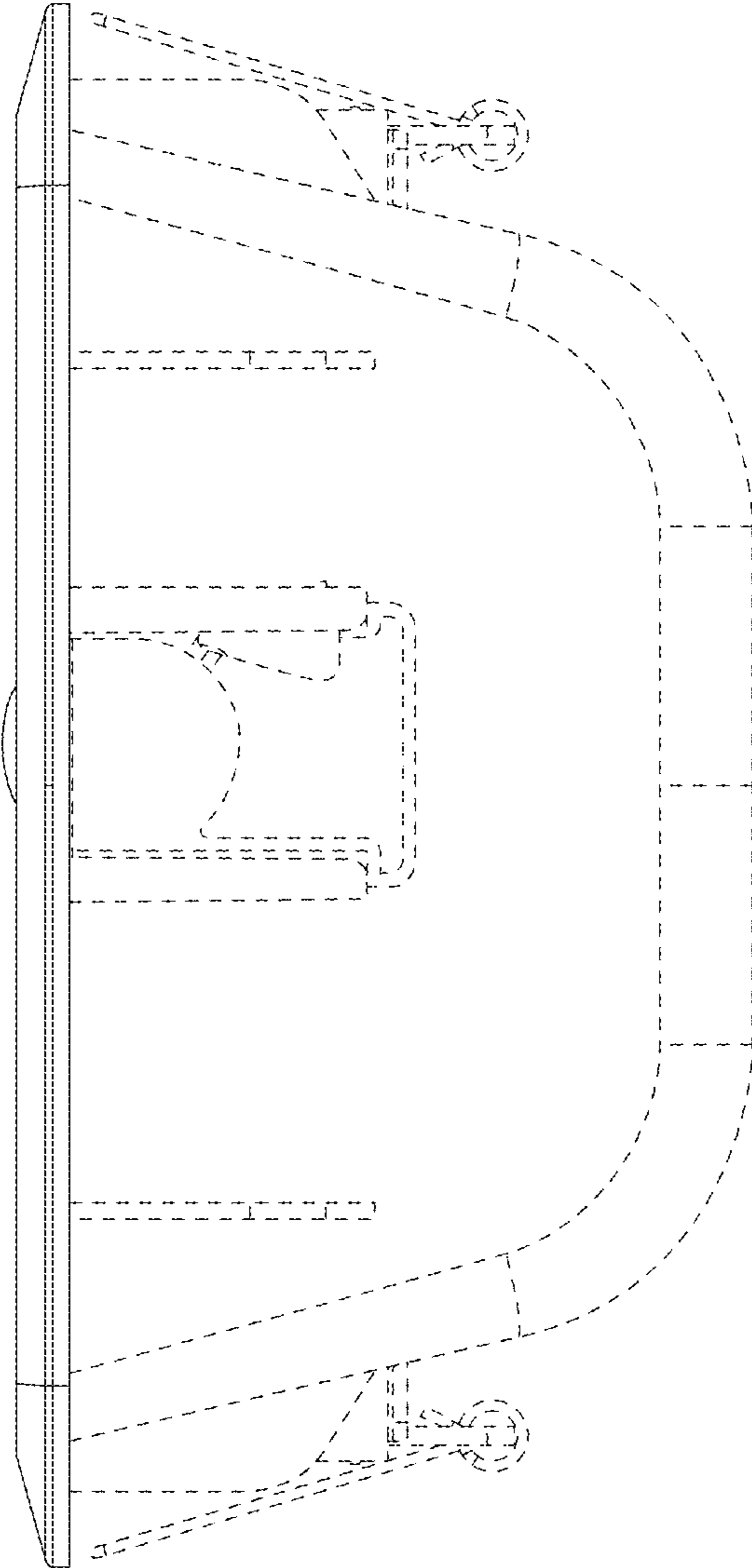


Fig. 4

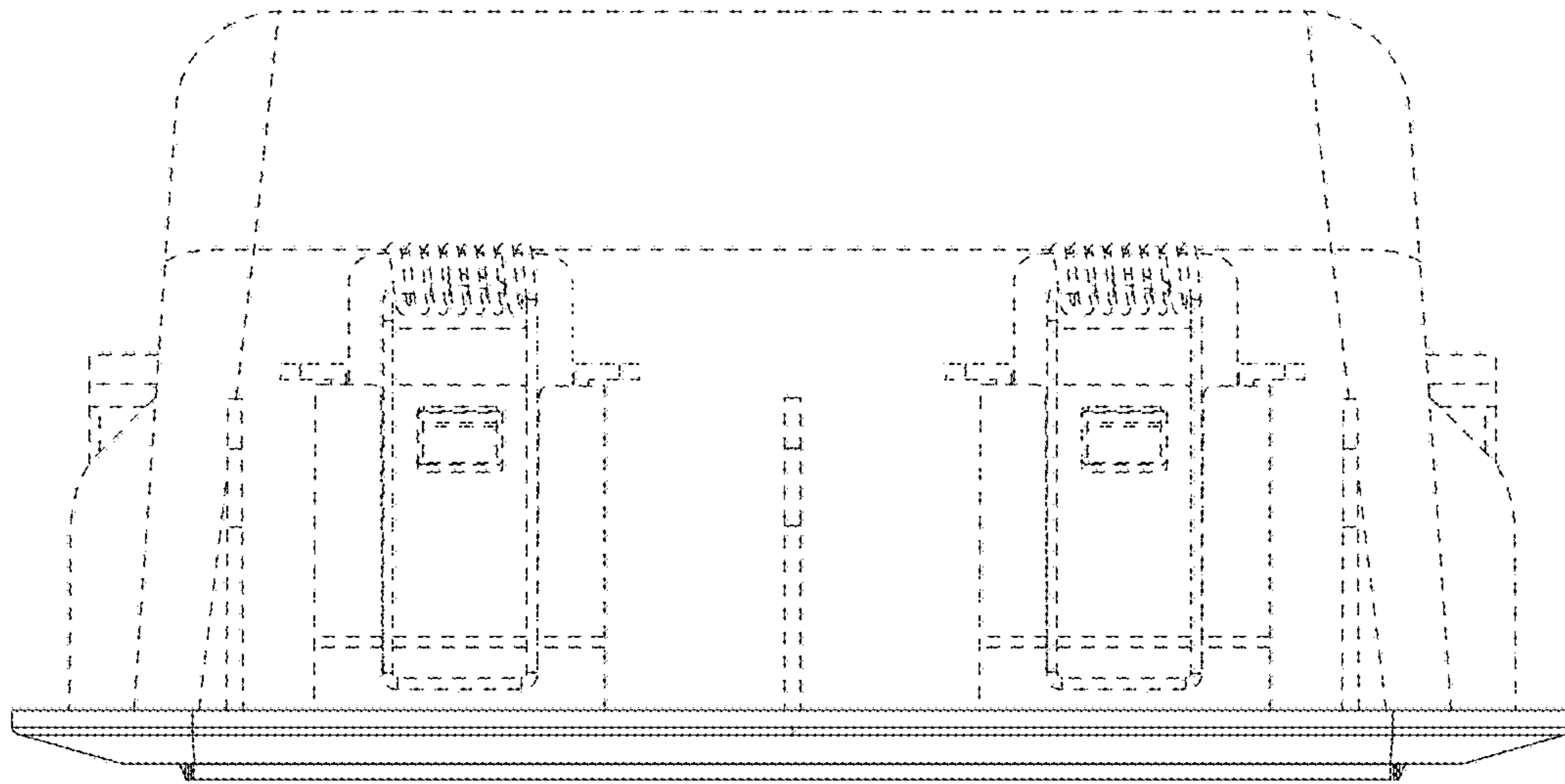


Fig. 5

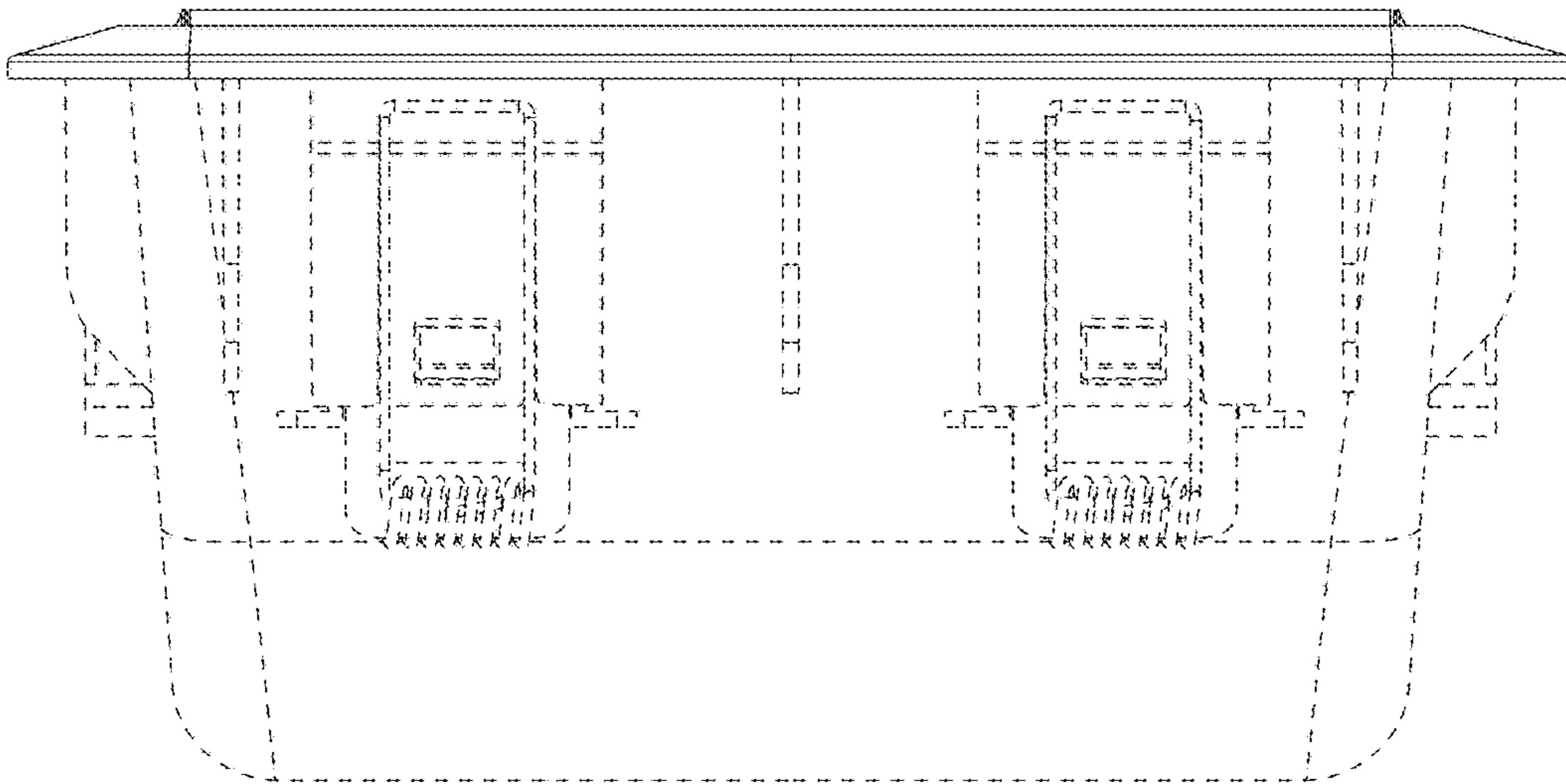


Fig. 6

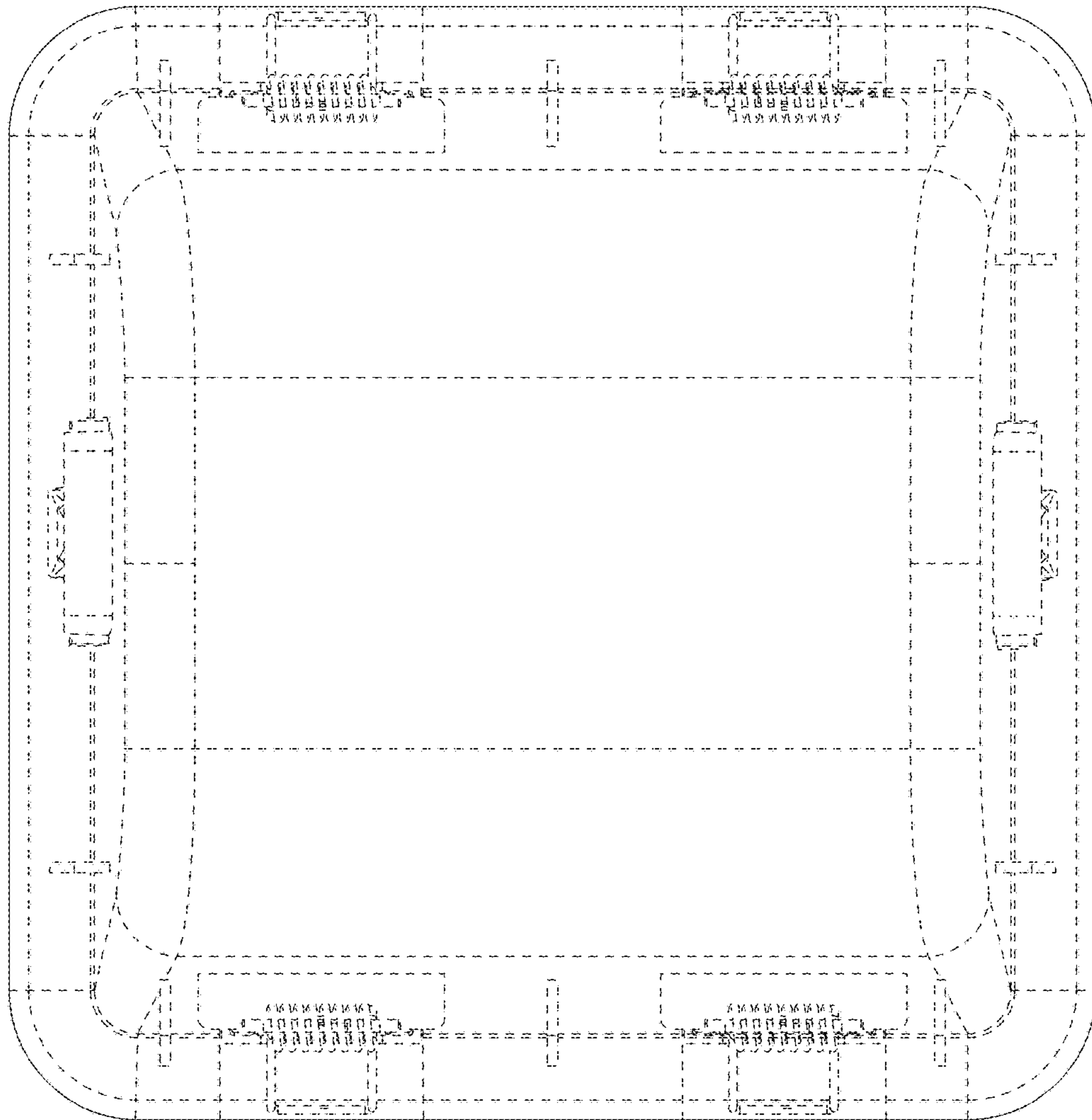


Fig. 7