



US00D827322S

(12) **United States Design Patent** (10) **Patent No.:** **US D827,322 S**
Hairabedian et al. (45) **Date of Patent:** **** Sep. 4, 2018**

- (54) **BODY POSITIONING SUPPORT**
- (71) Applicant: **Abely LLC**, Manhasset, NY (US)
- (72) Inventors: **Sabine Hairabedian**, Manhasset, NY (US); **Richard Bloc**, Derchigny (FR)
- (73) Assignee: **ABELY LLC**, Manhasset, NY (US)
- (**) Term: **15 Years**
- (21) Appl. No.: **29/599,261**
- (22) Filed: **Mar. 31, 2017**
- (51) **LOC (11) Cl.** **06-06**
- (52) **U.S. Cl.**
USPC **D6/392; D6/718**
- (58) **Field of Classification Search**
USPC D6/382, 392, 718, 718.13, 718.3
CPC A47C 20/027; A47C 20/04; A47C 20/043;
A47C 20/047; A47C 7/42
See application file for complete search history.

- 5,926,876 A 7/1999 Haigh et al.
- 5,937,459 A 8/1999 Binaghi et al.
- 6,154,904 A 12/2000 Ehredt
- 6,561,582 B1 * 5/2003 Steadman B60N 2/2821
297/188.2
- 6,915,536 B2 7/2005 Chen
- 7,025,421 B1 4/2006 Fowler et al.
- 7,275,273 B2 10/2007 Lary et al.
- 7,412,737 B2 8/2008 Hernandez

(Continued)

Primary Examiner — Cathron C Brooks
(74) *Attorney, Agent, or Firm* — Mannava & Kang, P.C.;
Arash Behrvesh

(57) **CLAIM**

What is claimed is the ornamental design for the body positioning support, as shown and described.

DESCRIPTION

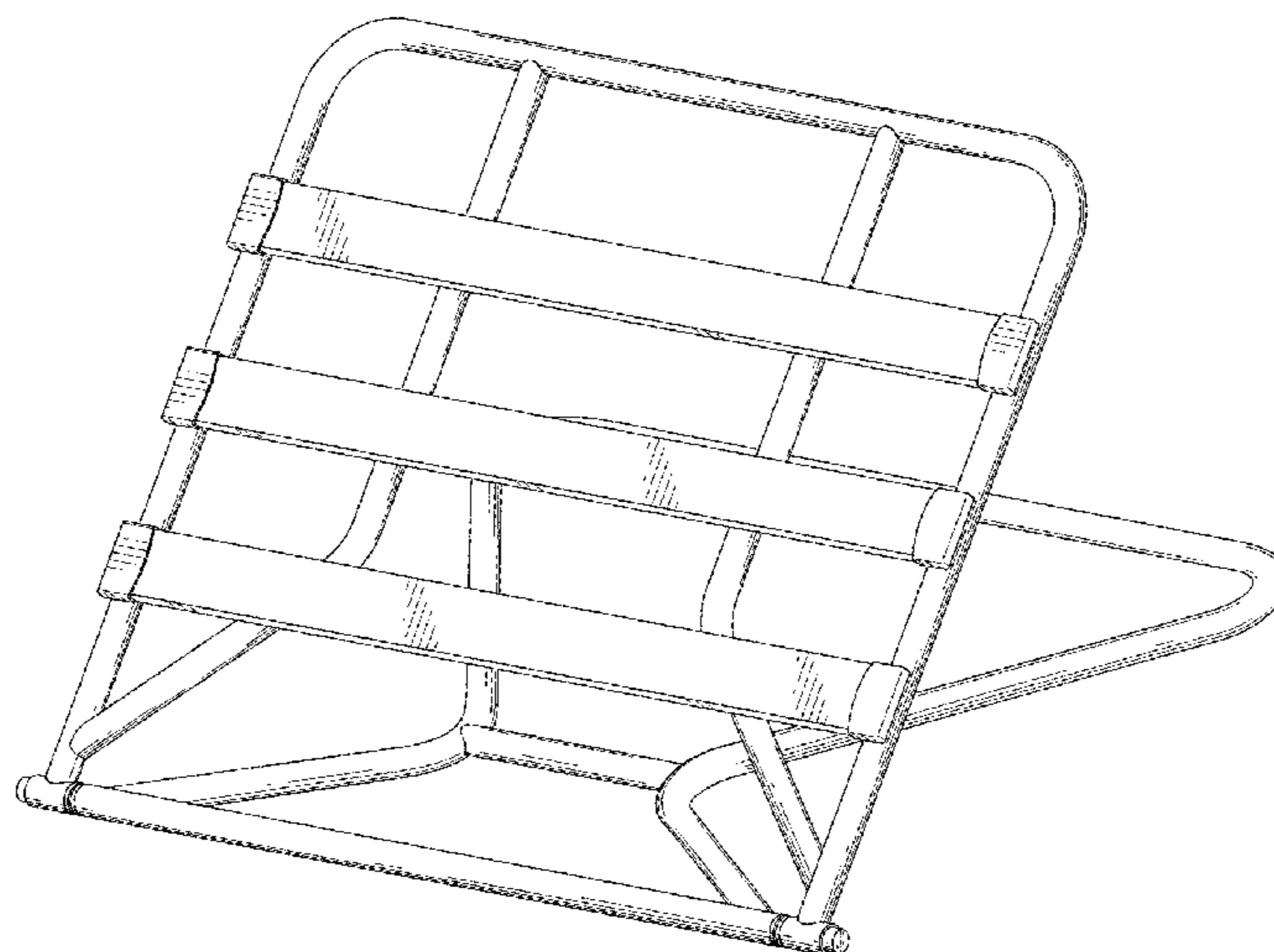
FIG. 1 is a perspective view of a body positioning support; FIG. 2 is a front view of the body positioning support shown in FIG. 1; FIG. 3 is a back view of the body positioning support shown in FIG. 1; FIG. 4 is a right side view of the body positioning support shown in FIG. 1; FIG. 5 is a left side view of the body positioning support shown in FIG. 1; FIG. 6 is a bottom view of the the body positioning support shown in FIG. 1; FIG. 7 is a top view of the body positioning support shown in FIG. 1; FIG. 8 is a left side view of the body positioning support opened at approximately 90 degrees; and, FIG. 9 is a left side view of the body positioning support opened at approximately 30 degrees. The broken lines in the drawings illustrate environmental features and form no part of the claimed design.

1 Claim, 6 Drawing Sheets

(56) **References Cited**

U.S. PATENT DOCUMENTS

- 1,151,894 A * 8/1915 Meinecke A47C 20/027
5/634
- 3,292,189 A * 12/1966 Parker A47C 1/146
5/634
- 3,343,185 A * 9/1967 Nemser A47C 20/027
5/633
- 3,866,250 A 2/1975 Bradford
- 4,651,365 A * 3/1987 Zeigler A47C 20/046
5/616
- 4,660,237 A 4/1987 Brodnax
- 4,754,507 A 7/1988 Edge
- D370,135 S * 5/1996 Meiners D6/382
- 5,553,921 A * 9/1996 Schenk A47C 7/42
297/252
- 5,765,244 A * 6/1998 Heidler A47C 20/027
5/630



(56)

References Cited

U.S. PATENT DOCUMENTS

7,478,445	B2	1/2009	DeVries	
8,146,190	B1	4/2012	Wolfe	
8,459,738	B2 *	6/2013	Downey A47C 7/42 297/230.1
D701,069	S *	3/2014	Miller D6/718.3
D798,641	S *	10/2017	Miller D6/718.3
2005/0251918	A1 *	11/2005	Lary A47C 20/021 5/634
2008/0066236	A1 *	3/2008	Hernandez A47C 20/027 5/655

* cited by examiner

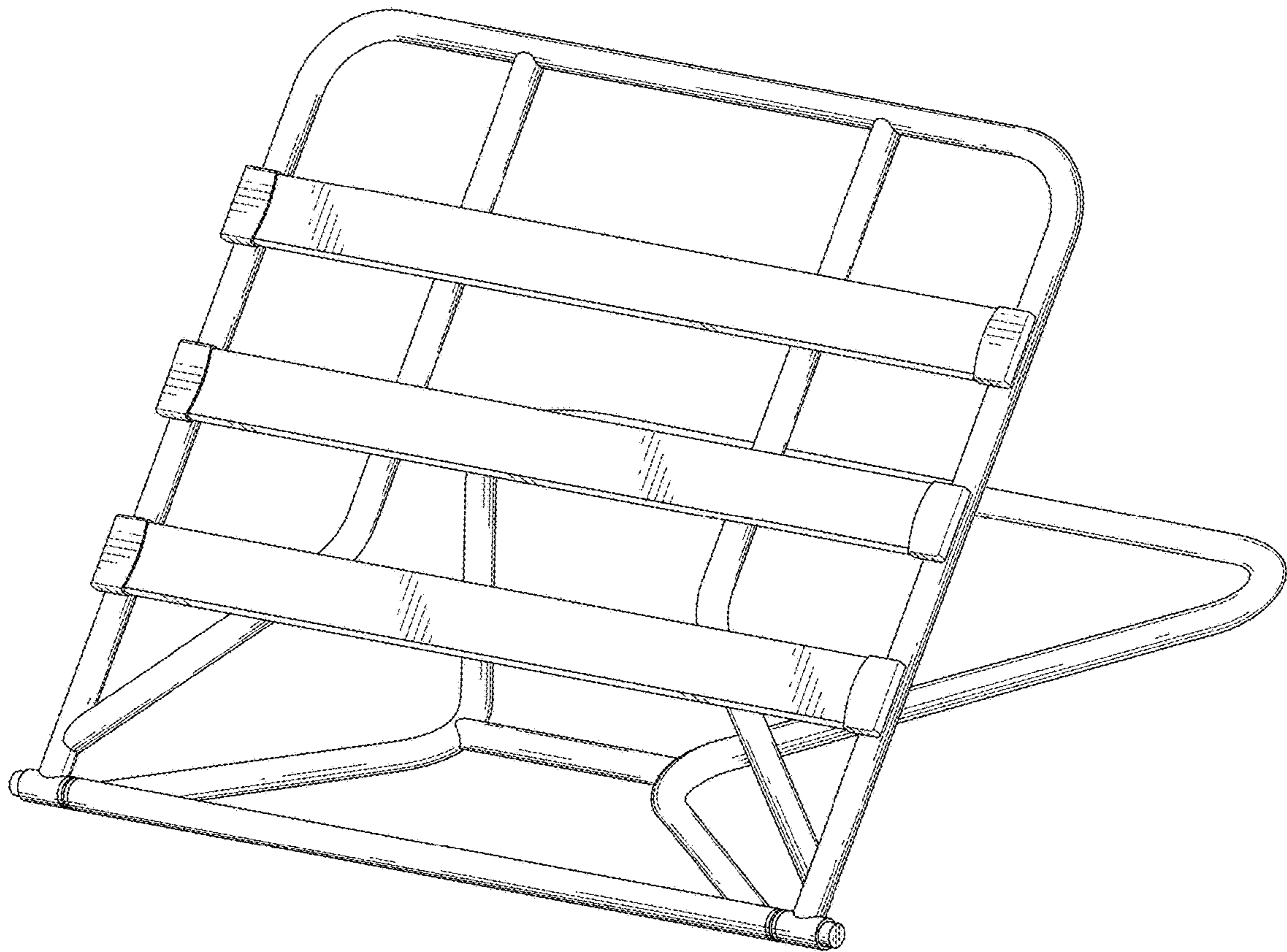


Fig. 1

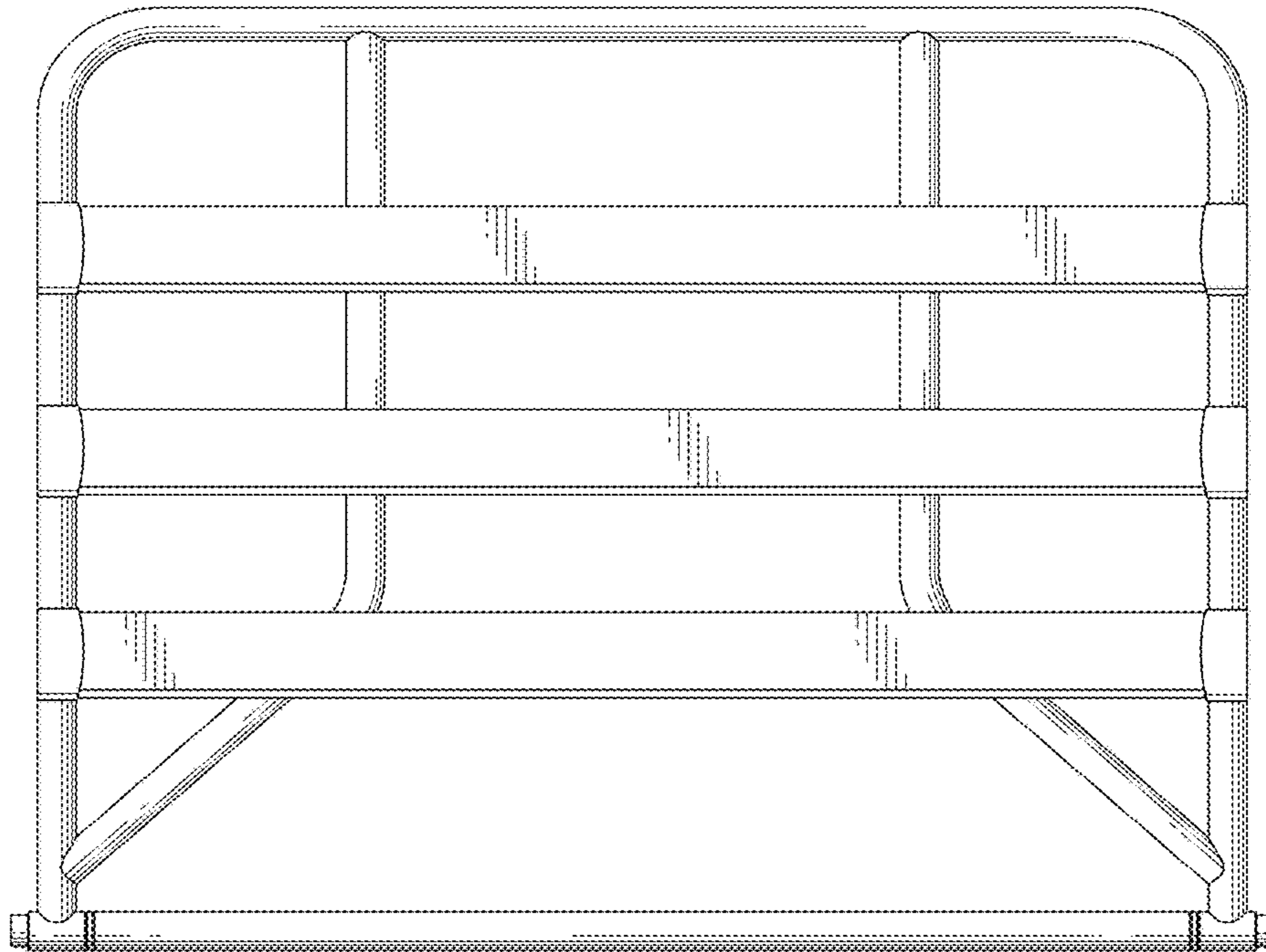


Fig. 2

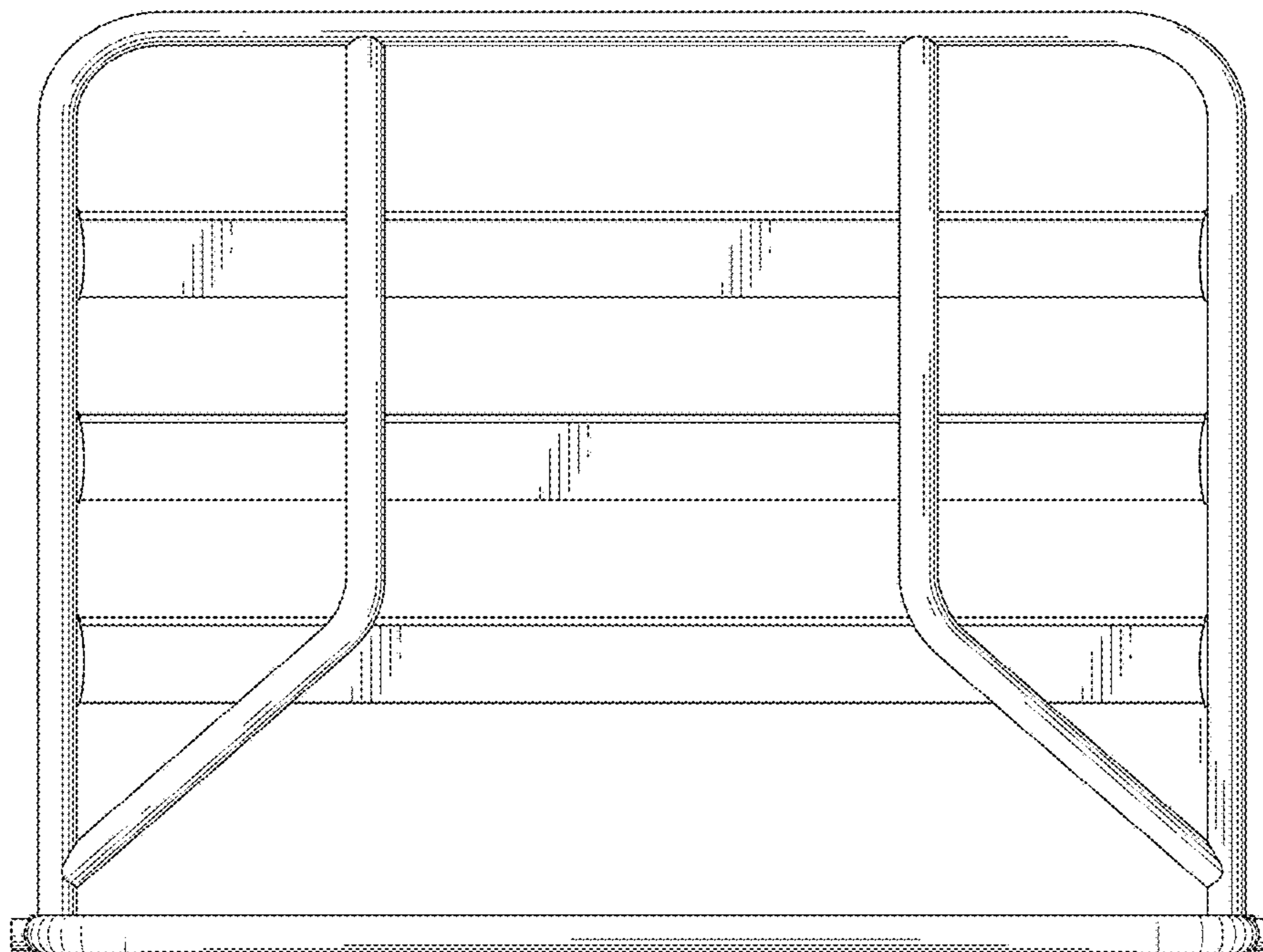


Fig. 3

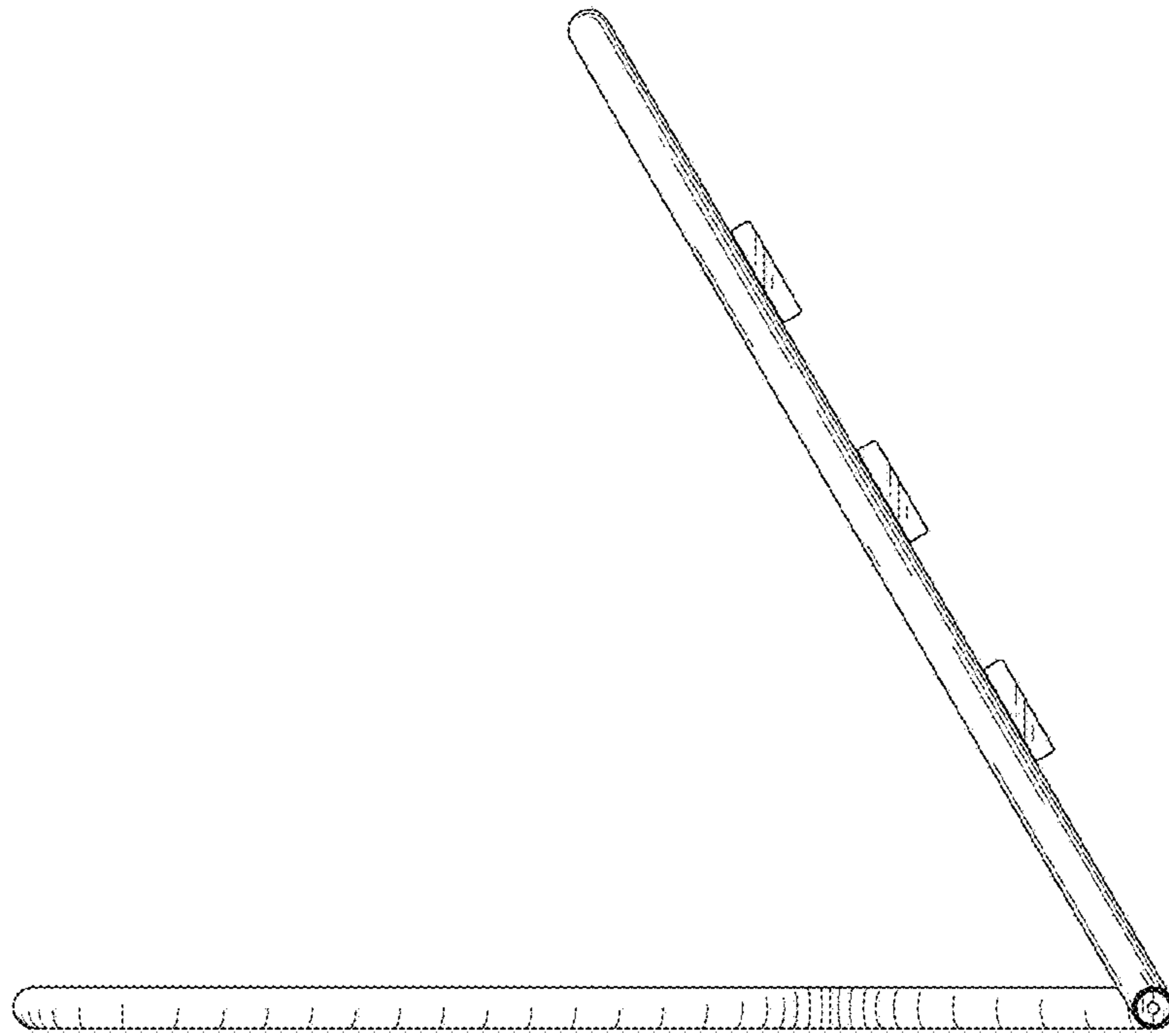


Fig. 4

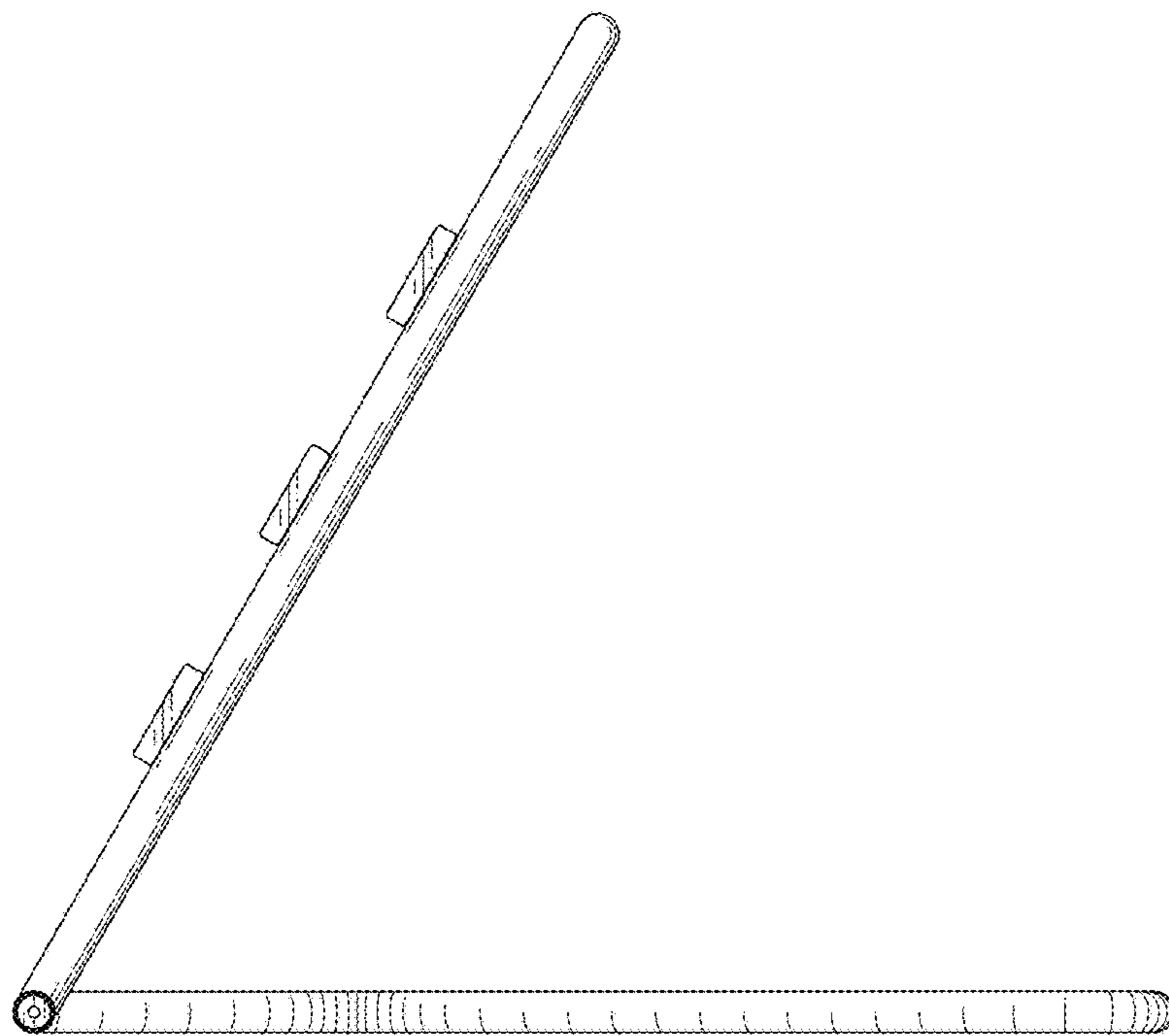


Fig. 5

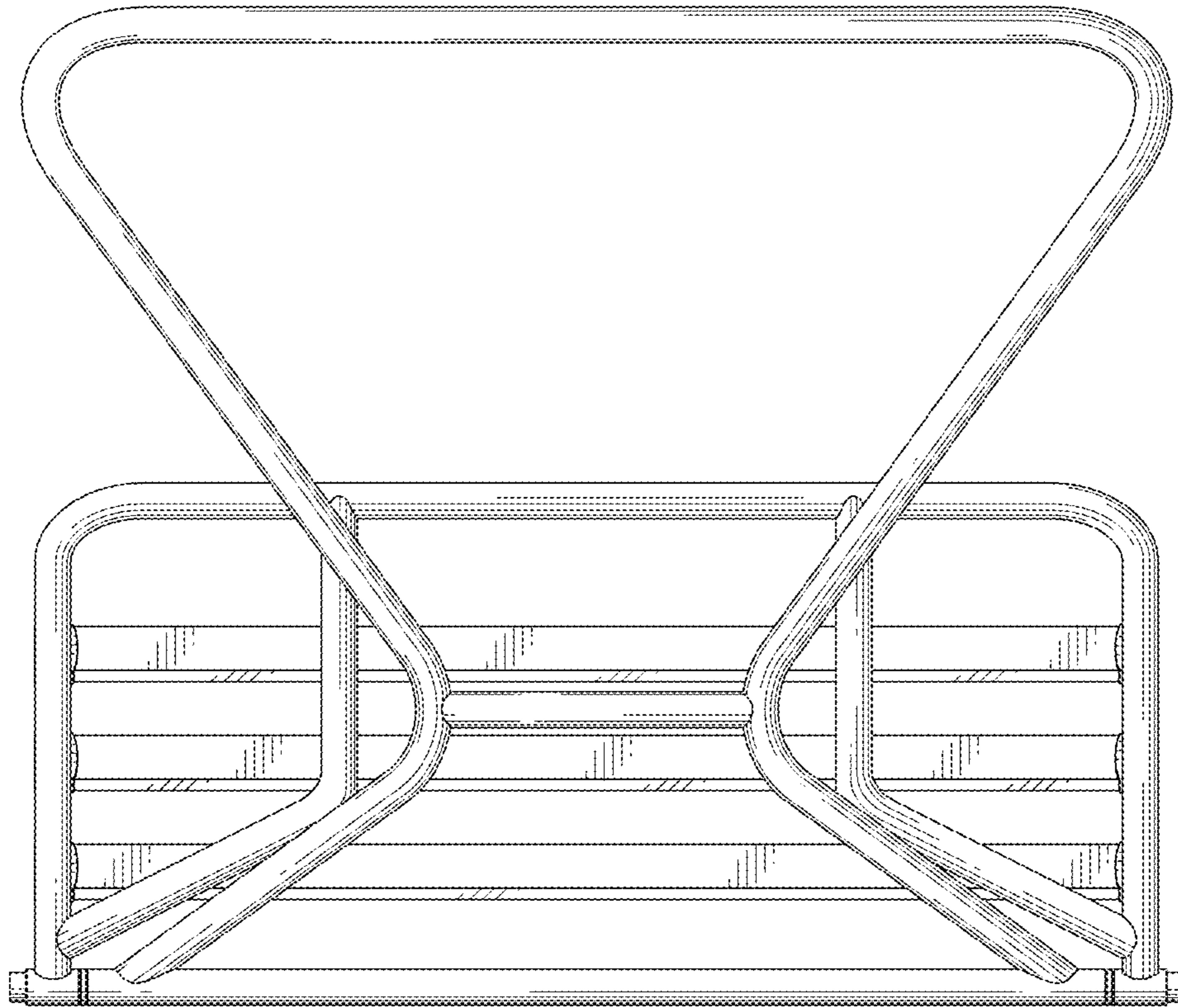


Fig. 6

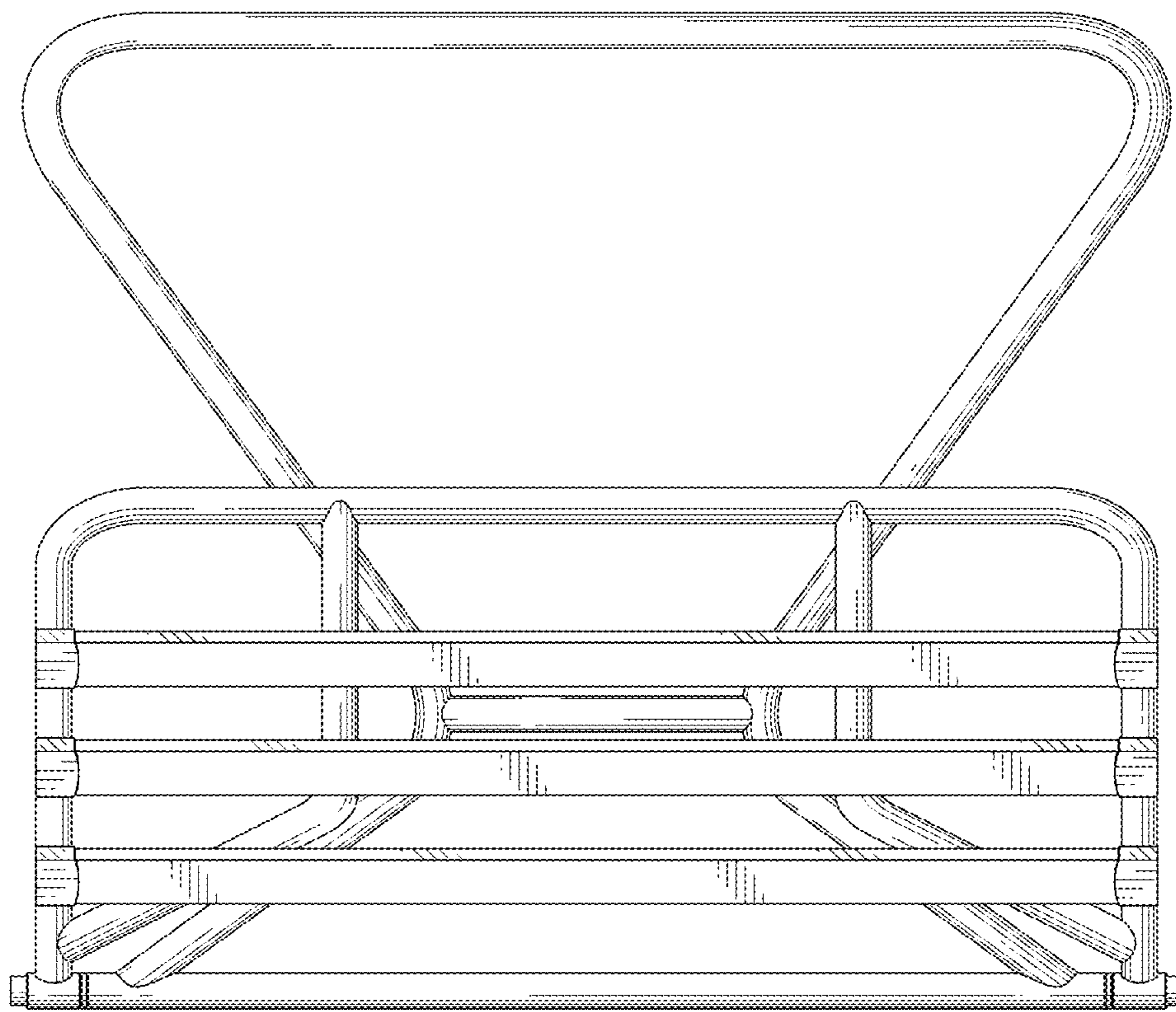


Fig. 7

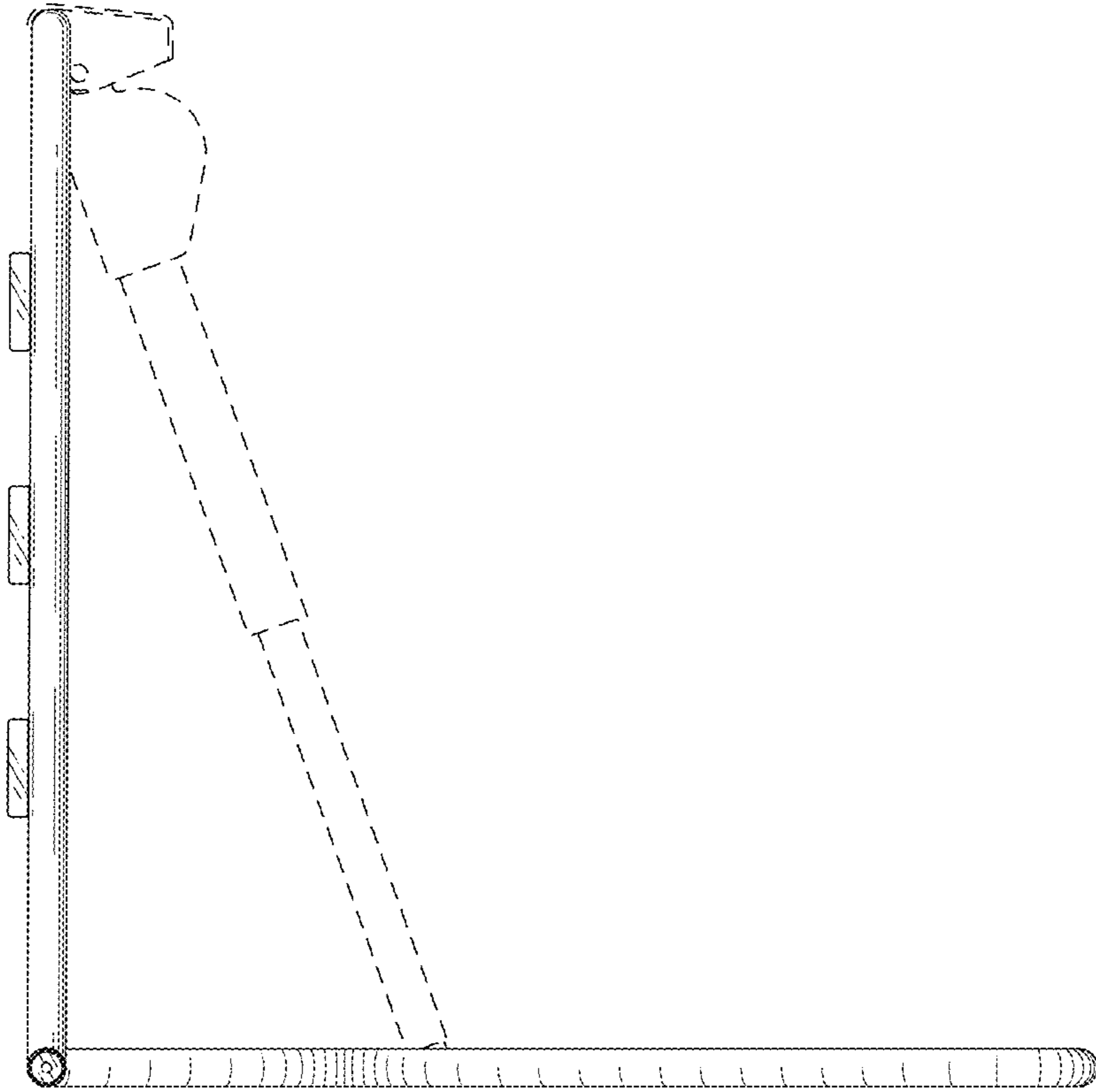


Fig. 8

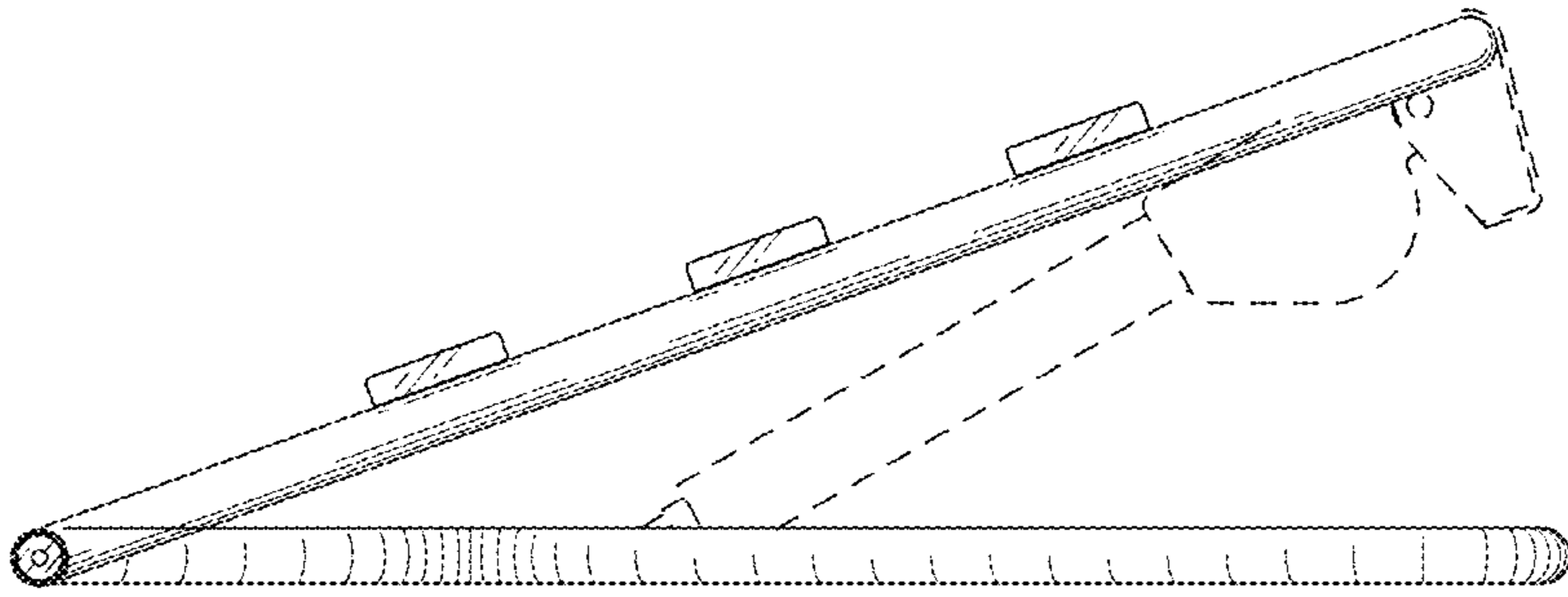


Fig. 9