



US00D827320S

(12) **United States Design Patent** (10) **Patent No.:** **US D827,320 S**  
**Xue** (45) **Date of Patent:** **\*\* Sep. 4, 2018**

(54) **CHAIR FOR ELECTRONIC SPORTS**

(71) Applicant: **Dong Xue**, Henan (CN)

(72) Inventor: **Dong Xue**, Henan (CN)

(73) Assignee: **ANJI WANBAO FURNITURE CO., LTD.**, Zhejiang (CN)

(\*\*) Term: **15 Years**

(21) Appl. No.: **29/607,958**

(22) Filed: **Jun. 19, 2017**

(51) **LOC (11) Cl.** ..... **06-01**

(52) **U.S. Cl.**  
USPC ..... **D6/366**

(58) **Field of Classification Search**  
USPC ..... D6/334-381, 716, 716.1-716.8  
CPC ..... B60N 2/686; B60N 2/58; B60N 2/6009;  
B60N 2/986; A47C 3/16; A47C 1/00;  
A47C 1/02; A47C 1/12; A47C 7/004;  
A47C 7/006

See application file for complete search history.

(56) **References Cited**

U.S. PATENT DOCUMENTS

D317,534 S *	6/1991	Hansel	.....	D6/333
D532,211 S *	11/2006	Su	.....	D6/366
D536,543 S *	2/2007	Hsu	.....	D6/356
D542,547 S *	5/2007	Su	.....	D6/366

D587,476 S *	3/2009	Lenterman	.....	D6/366
D694,031 S *	11/2013	Ritzel	.....	D6/356
D721,897 S *	2/2015	Ritzel	.....	D6/356
D793,110 S *	8/2017	Patir	.....	D6/356
D807,068 S *	1/2018	Mao	.....	D6/348
D807,072 S *	1/2018	Mao	.....	D6/366
D809,313 S *	2/2018	Mao	.....	D6/366
D811,145 S *	2/2018	Li	.....	D6/716
2007/0257530 A1 *	11/2007	Florez	.....	A47C 7/38 297/217.4
2008/0088168 A1 *	4/2008	Beermann	.....	B60N 2/20 297/354.12
2011/0057498 A1 *	3/2011	Fujita	.....	B60N 2/0705 297/452.18

\* cited by examiner

*Primary Examiner* — Deanna L Pratt

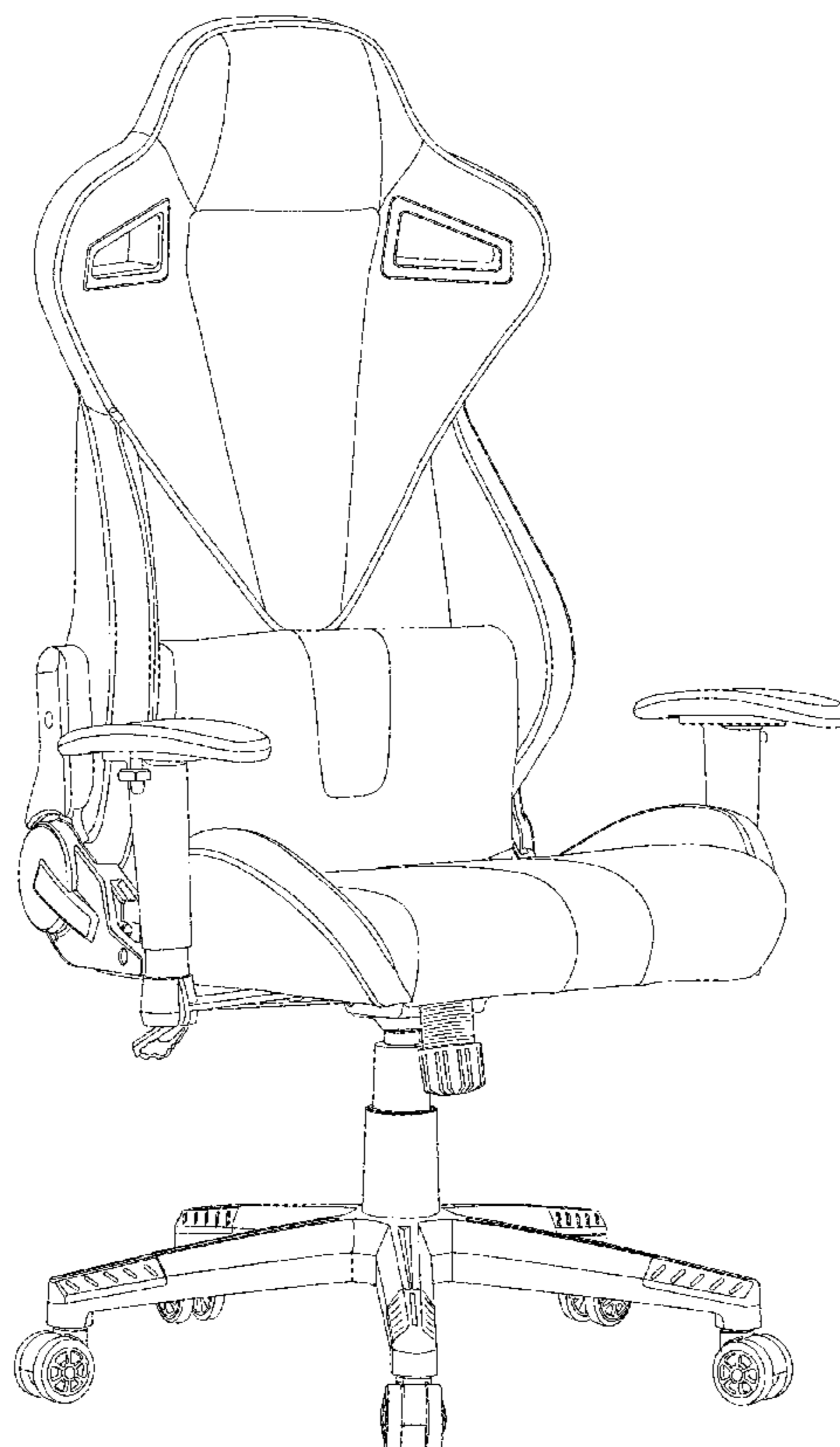
(57) **CLAIM**

The ornamental design for chair for electronic sports, as shown and described.

**DESCRIPTION**

FIG. 1 is a front elevational view of chair for electronic sports showing my new design;  
FIG. 2 is a rear elevational view thereof;  
FIG. 3 is a left side elevational view thereof;  
FIG. 4 is a right side elevational view thereof;  
FIG. 5 is a top plan view thereof;  
FIG. 6 is a bottom plan view thereof; and,  
FIG. 7 is a perspective view thereof.

**1 Claim, 7 Drawing Sheets**



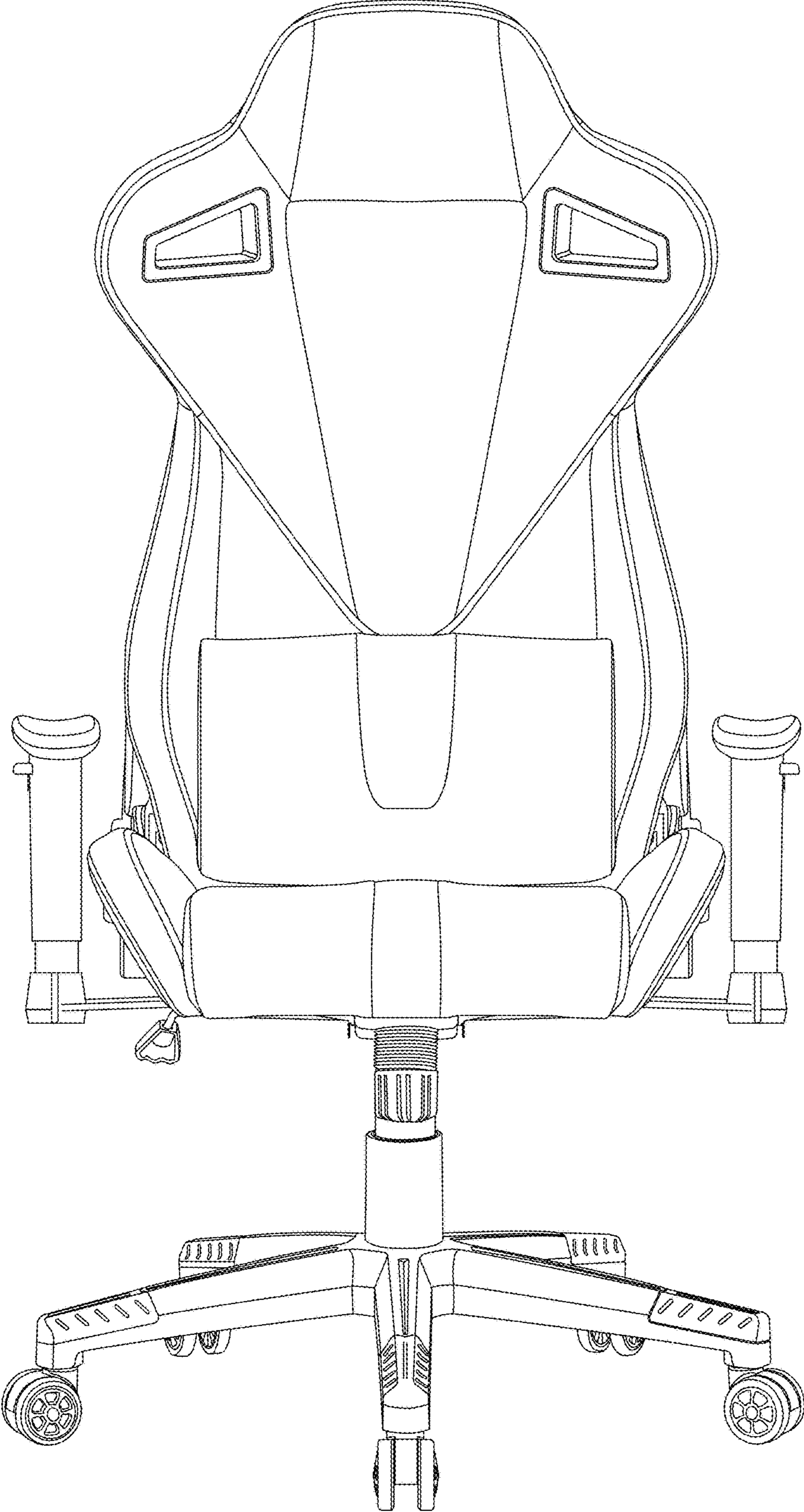


FIG.1

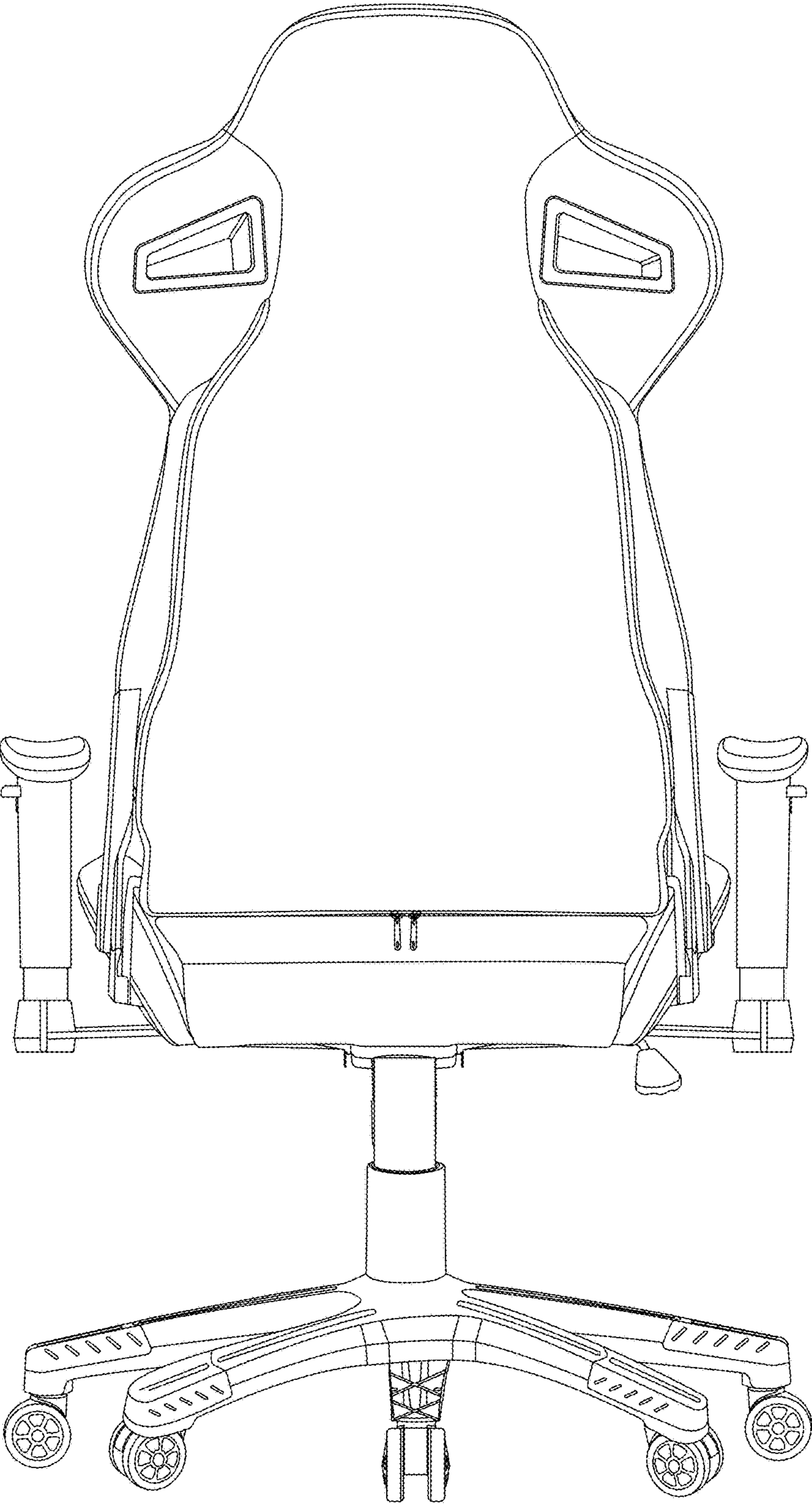


FIG.2



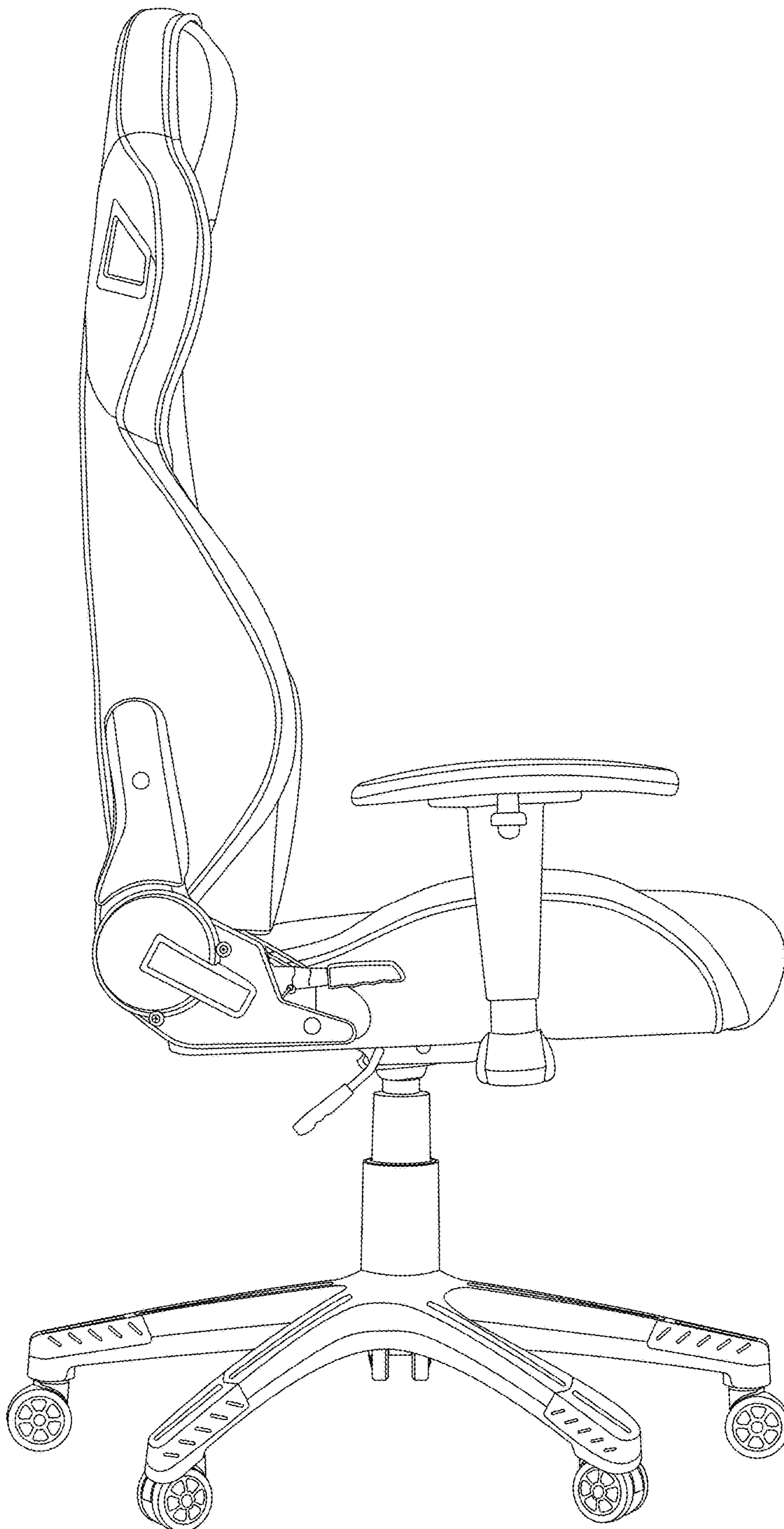


FIG. 3

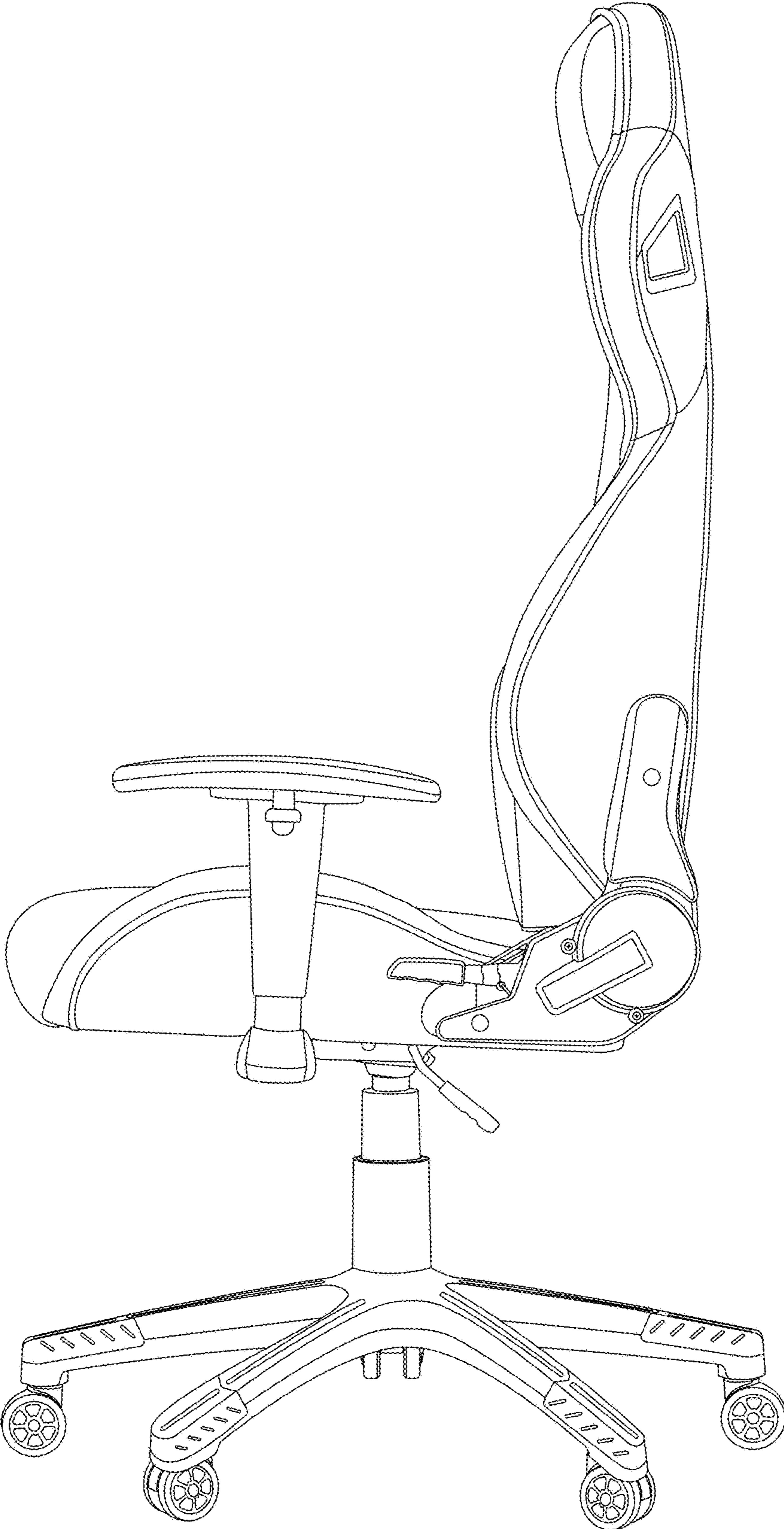


FIG.4

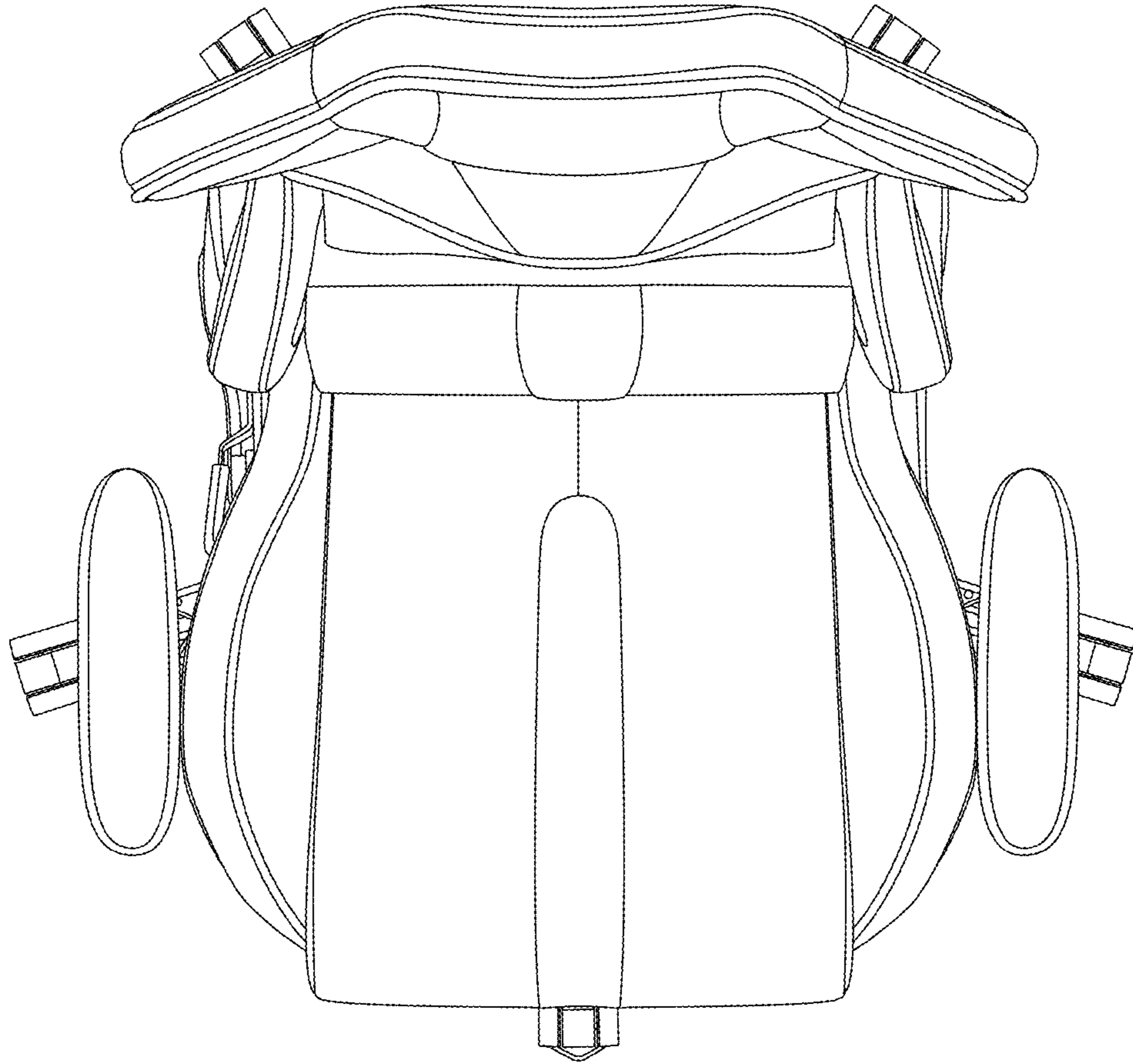


FIG.5

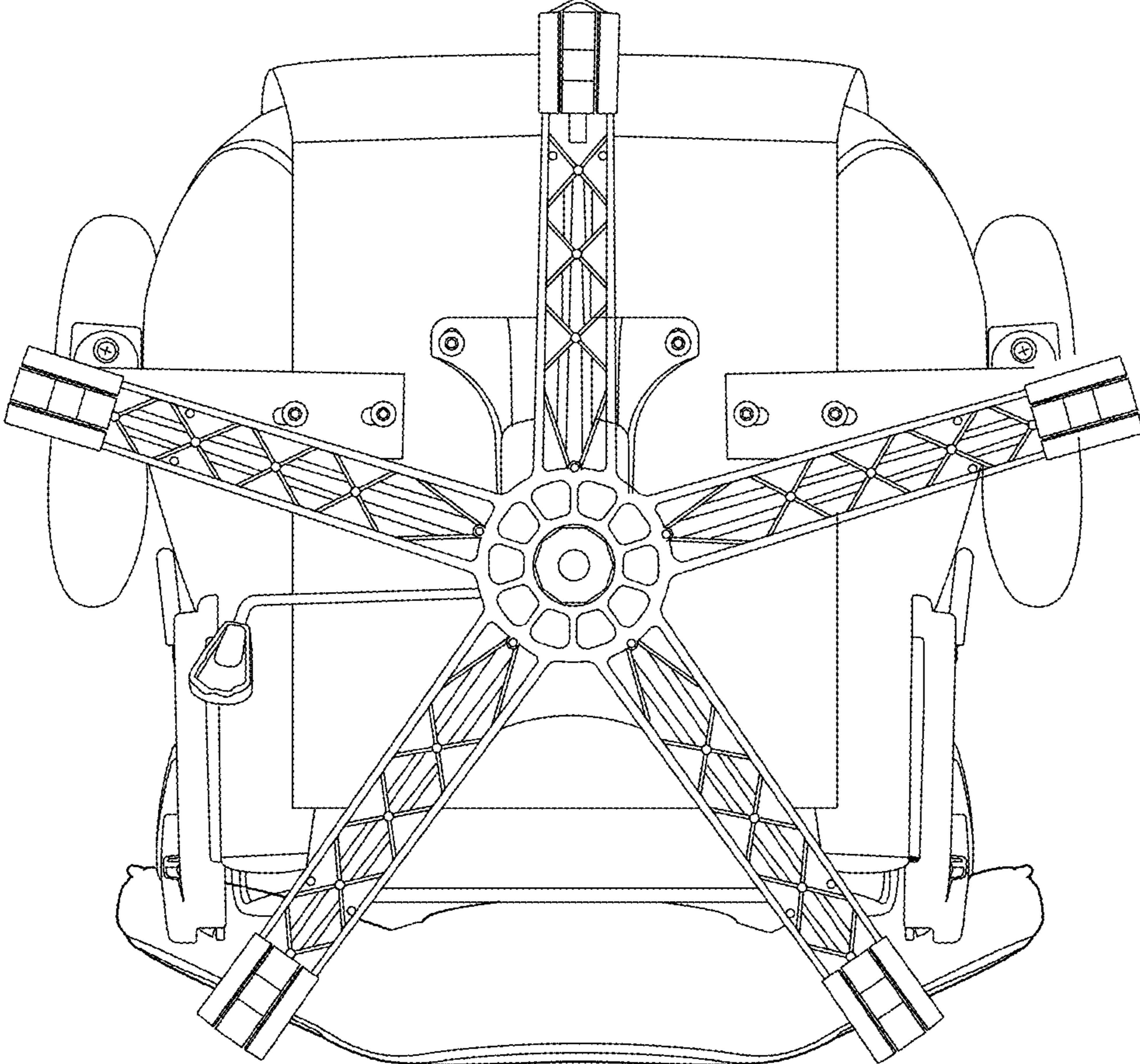


FIG.6



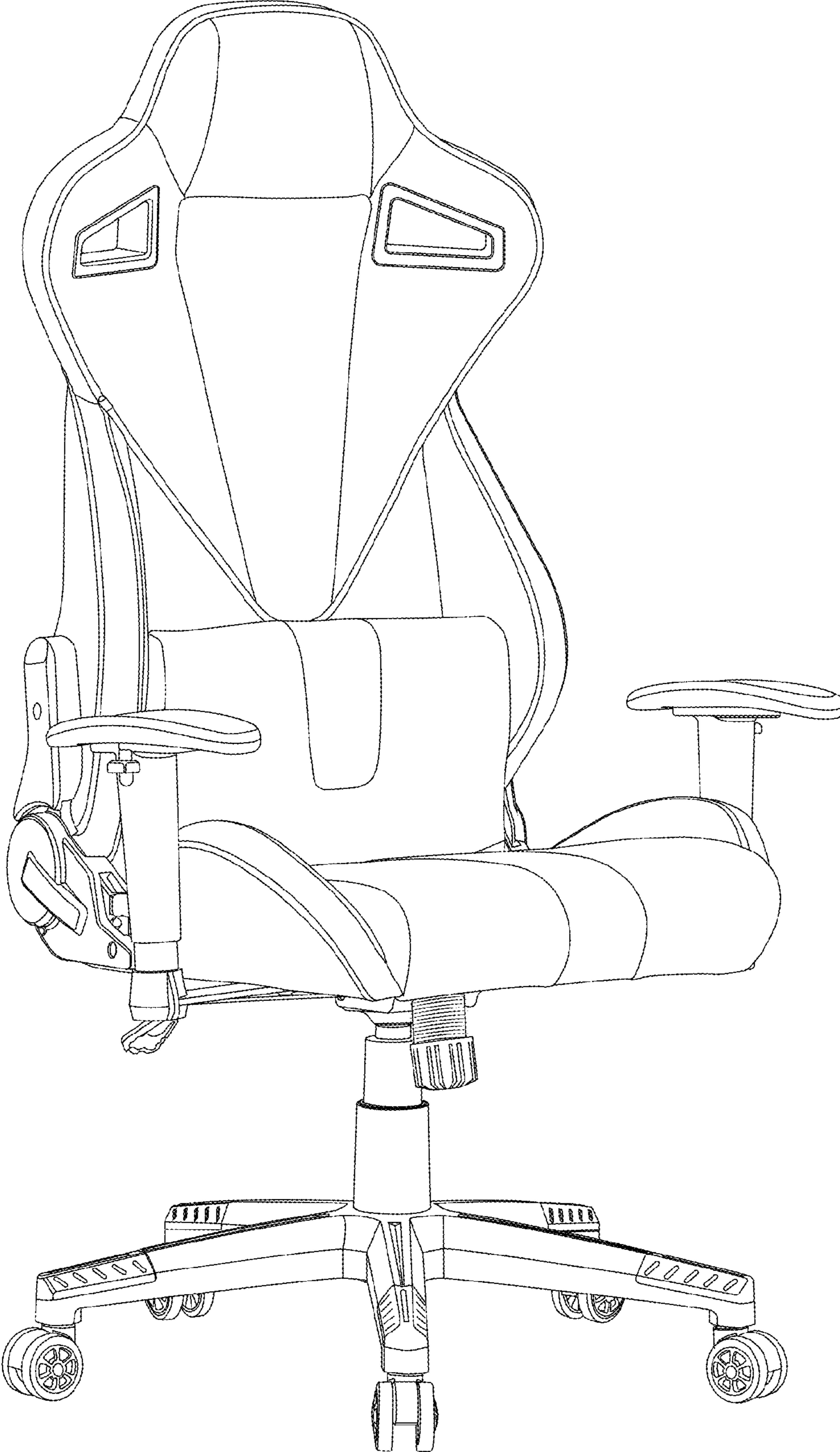


FIG.7