



US00D827316S

(12) **United States Design Patent**
Rockwell et al.

(10) **Patent No.:** **US D827,316 S**
(45) **Date of Patent:** **** Sep. 4, 2018**

- (54) **SCREEN**
- (71) Applicant: **Knoll, Inc.**, East Greenville, PA (US)
- (72) Inventors: **David Rockwell**, New York, NY (US);
Barry Richards, New York, NY (US)
- (73) Assignee: **Knoll, Inc.**, East Greenville, PA (US)
- (**) Term: **15 Years**
- (21) Appl. No.: **29/612,318**
- (22) Filed: **Jul. 31, 2017**

Related U.S. Application Data

- (62) Division of application No. 29/563,083, filed on May 2, 2016, now Pat. No. Des. 800,459.
- (51) **LOC (11) Cl.** **06-06**
- (52) **U.S. Cl.**
USPC **D6/332**
- (58) **Field of Classification Search**
USPC D6/332; D25/58
CPC E04B 2/74; E04B 2/7401; E04B 2/7405;
E04B 2/7407; E04B 2/7416; E04B
2/7422; E04B 2/7433; E04B 2/7437;
E04B 2/76; E04B 2/766; E04B 2/7809;
E04B 2002/7487; E04B 2/7438; E04B
1/8227; E04B 2/7409; E04B 2002/7479;
A47B 2220/02; A47G 5/00
See application file for complete search history.

(56) **References Cited**

U.S. PATENT DOCUMENTS

- 2,940,606 A * 6/1960 Kurnitz A47F 5/105
211/175
- 3,232,370 A * 2/1966 Jaffe G10K 11/20
160/135
- 3,247,891 A * 4/1966 Sadoff, Jr. E06B 3/481
160/183
- 3,426,913 A 2/1969 Abatiell, Jr.

- 3,571,999 A 3/1971 Downing
- D256,138 S 7/1980 Tesar
- D257,602 S 12/1980 Cyplik
- 4,278,145 A * 7/1981 Eade E04B 1/8236
160/135
- 4,573,513 A * 3/1986 Small A47G 5/00
160/135
- D286,108 S 10/1986 Hanlon
- 4,932,538 A * 6/1990 Gambello A47F 5/0846
211/59.1
- 5,351,740 A 10/1994 Hanna
- 5,671,852 A * 9/1997 Maharg A47F 5/0815
211/182
- 5,694,997 A 12/1997 Styger
- D399,693 S 10/1998 Vreeland et al.
- D420,223 S 2/2000 Chipman et al.
- 6,575,314 B2 6/2003 Lung et al.

(Continued)

Primary Examiner — Vy N Koenig
Assistant Examiner — Kimberly Barnes
(74) *Attorney, Agent, or Firm* — Buchanan Ingersoll & Rooney PC

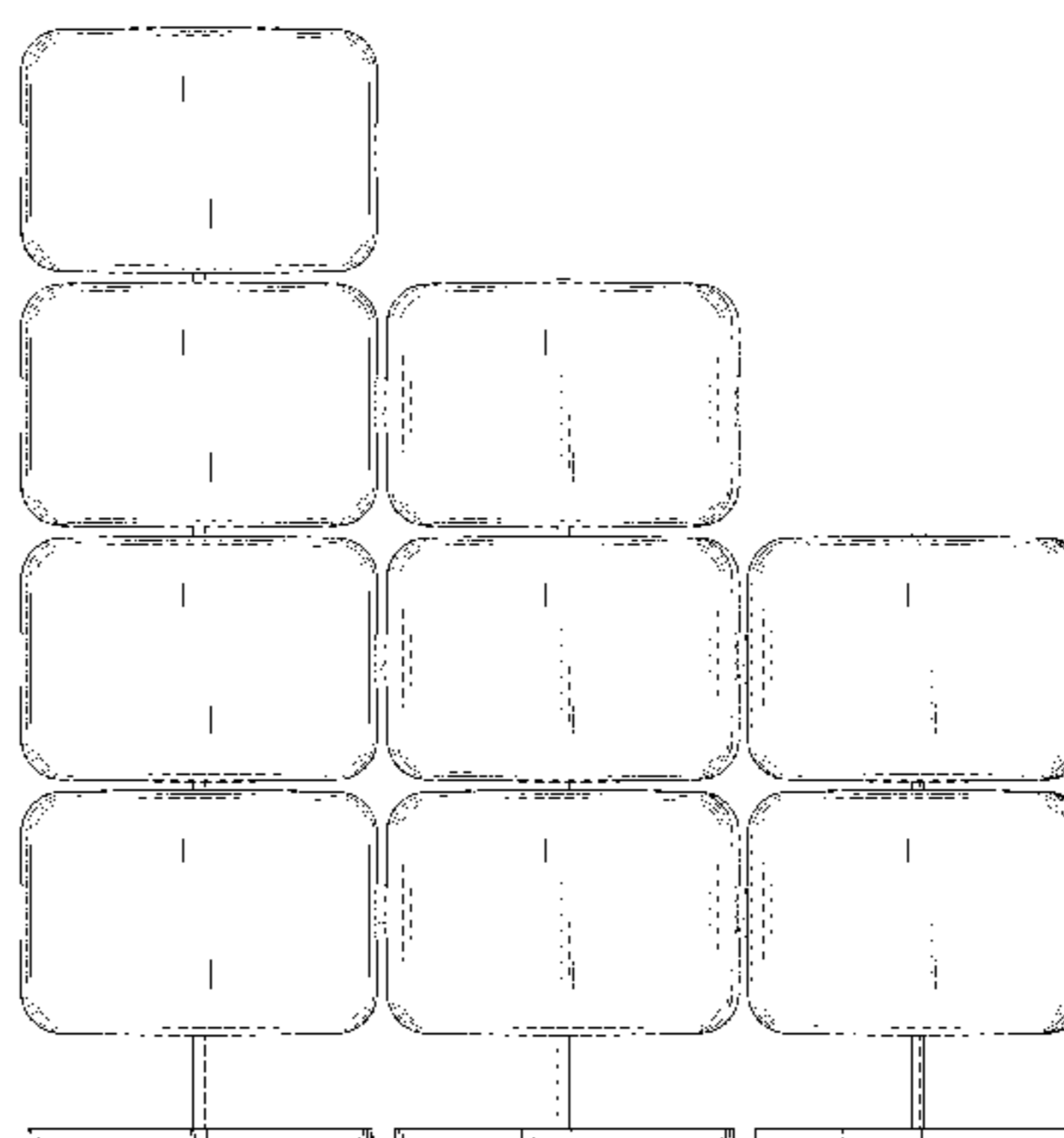
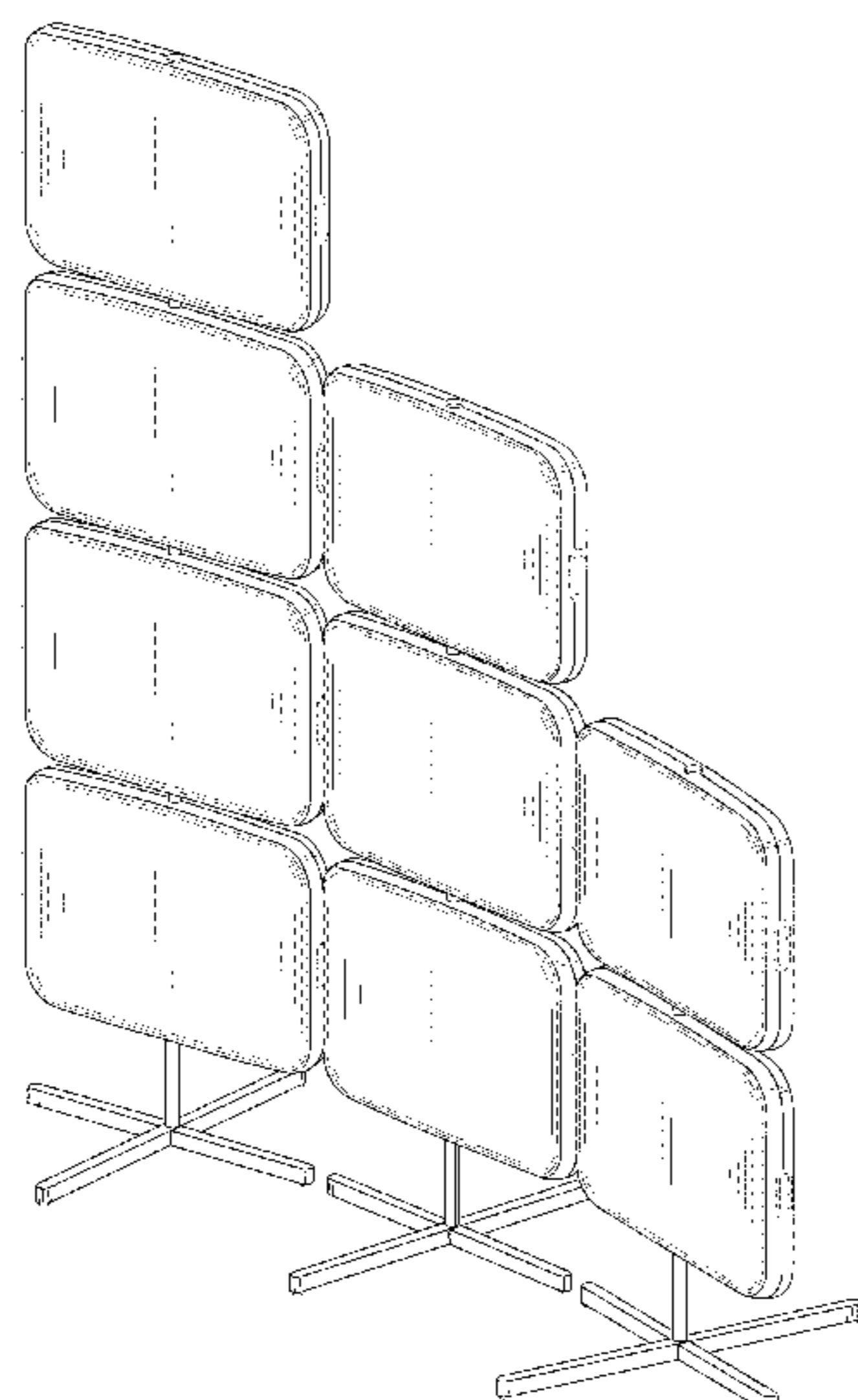
(57) **CLAIM**

The ornamental design for a screen, as shown and described.

DESCRIPTION

FIG. 1 is a perspective view of a screen showing our new design;
FIG. 2 is a front elevational view thereof;
FIG. 3 is a rear elevational view thereof;
FIG. 4 is a top plan view thereof;
FIG. 5 is a bottom plan view thereof;
FIG. 6 is a left side elevational view thereof; and,
FIG. 7 is a right side elevational view thereof.
The broken lines shown in the drawing figures illustrate portions of the screen that form no part of the claimed design.

1 Claim, 5 Drawing Sheets



(56)

References Cited

U.S. PATENT DOCUMENTS

D530,104	S	10/2006	Saffell et al.	
7,210,277	B2	5/2007	Steed et al.	
D679,858	S	4/2013	Tran et al.	
9,254,051	B2	2/2016	McPhillips	
9,414,697	B2 *	8/2016	Parshad	A47G 5/00
D796,216	S *	9/2017	Rockwell	D6/332
D800,459	S *	10/2017	Rockwell	D6/332
D807,652	S *	1/2018	Kawamoto	D6/332
2005/0005549	A1	1/2005	Peter et al.	
2017/0114537	A1 *	4/2017	Eckes	E04B 2/7405

* cited by examiner

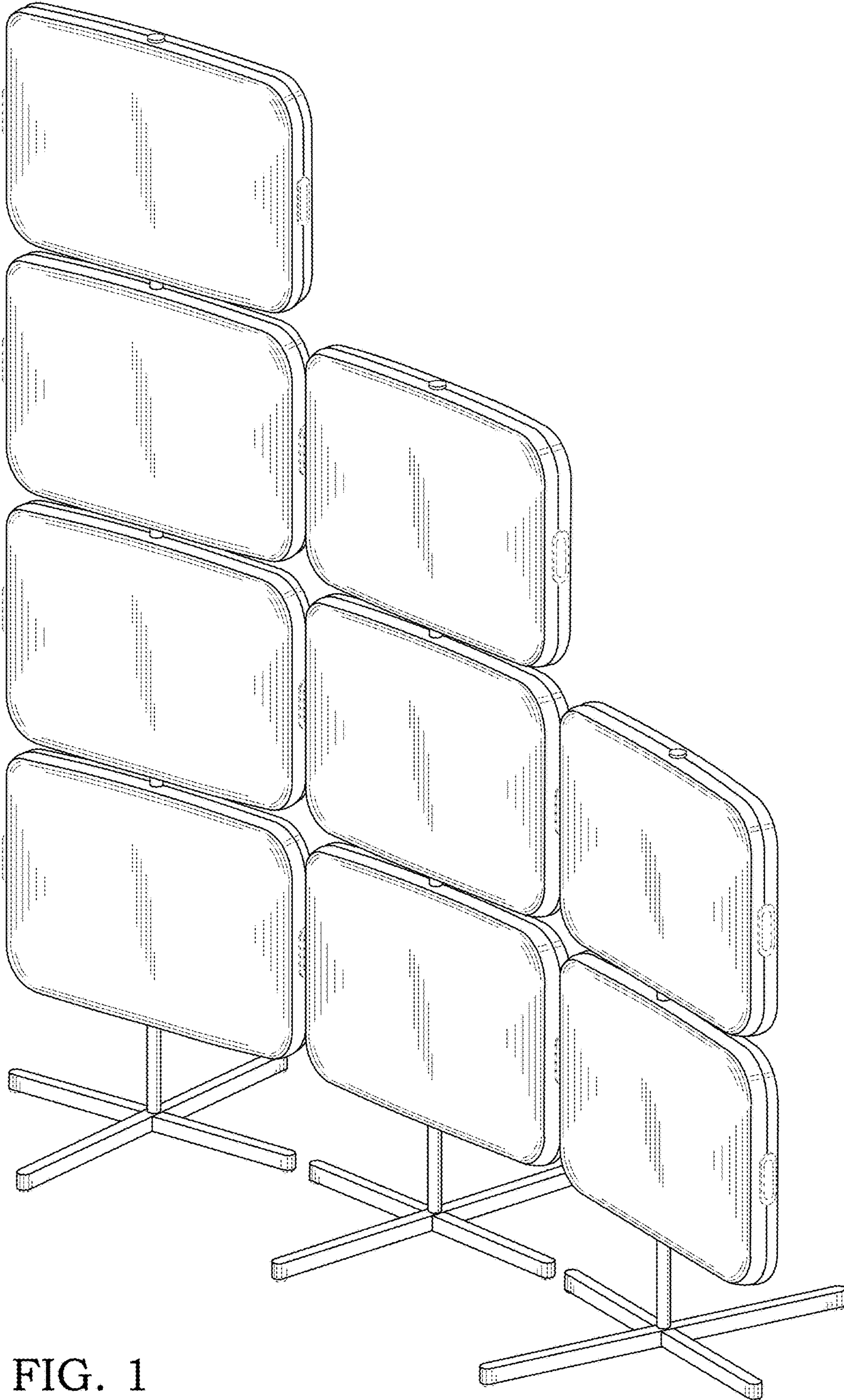


FIG. 1

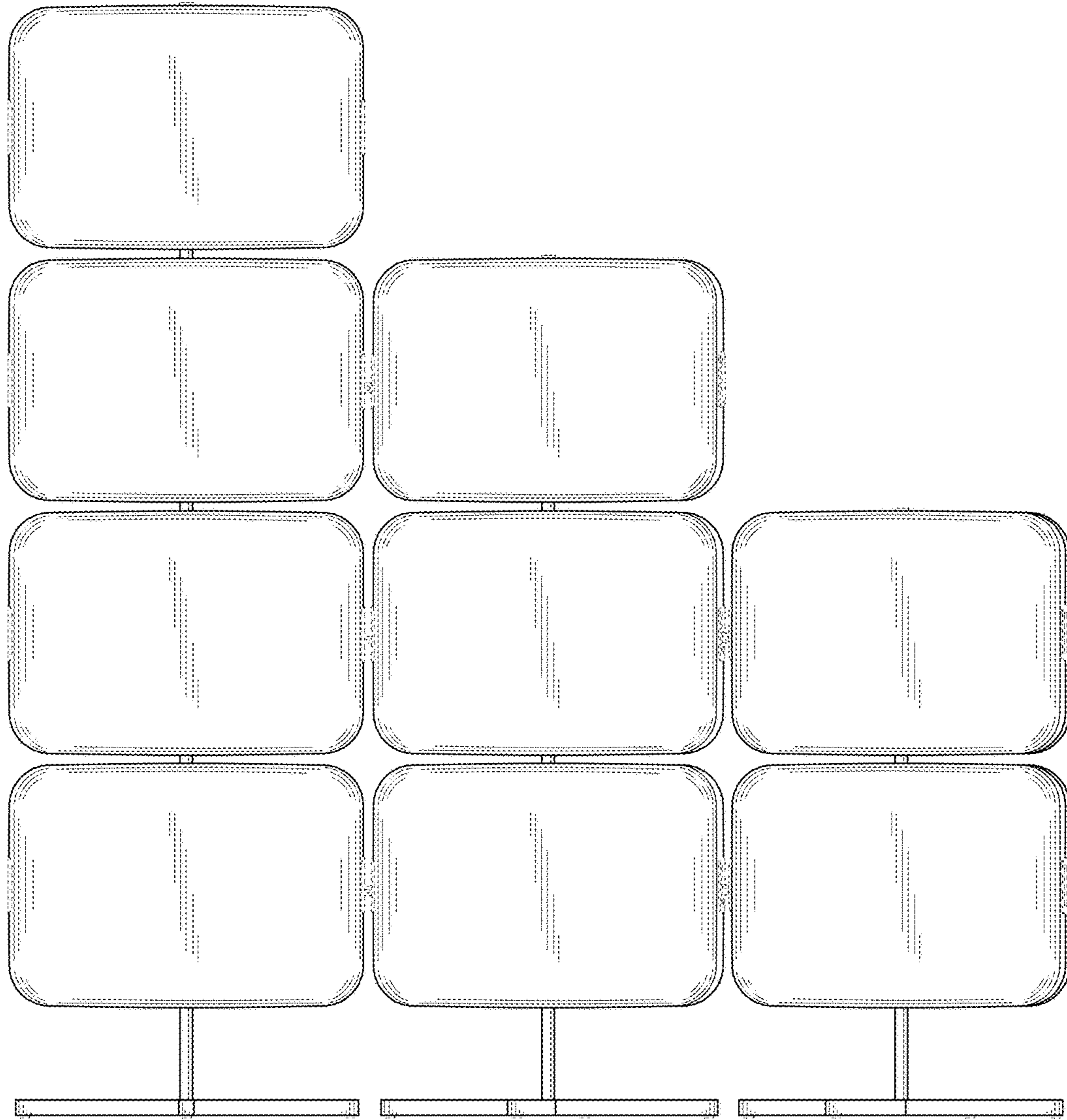


FIG. 2

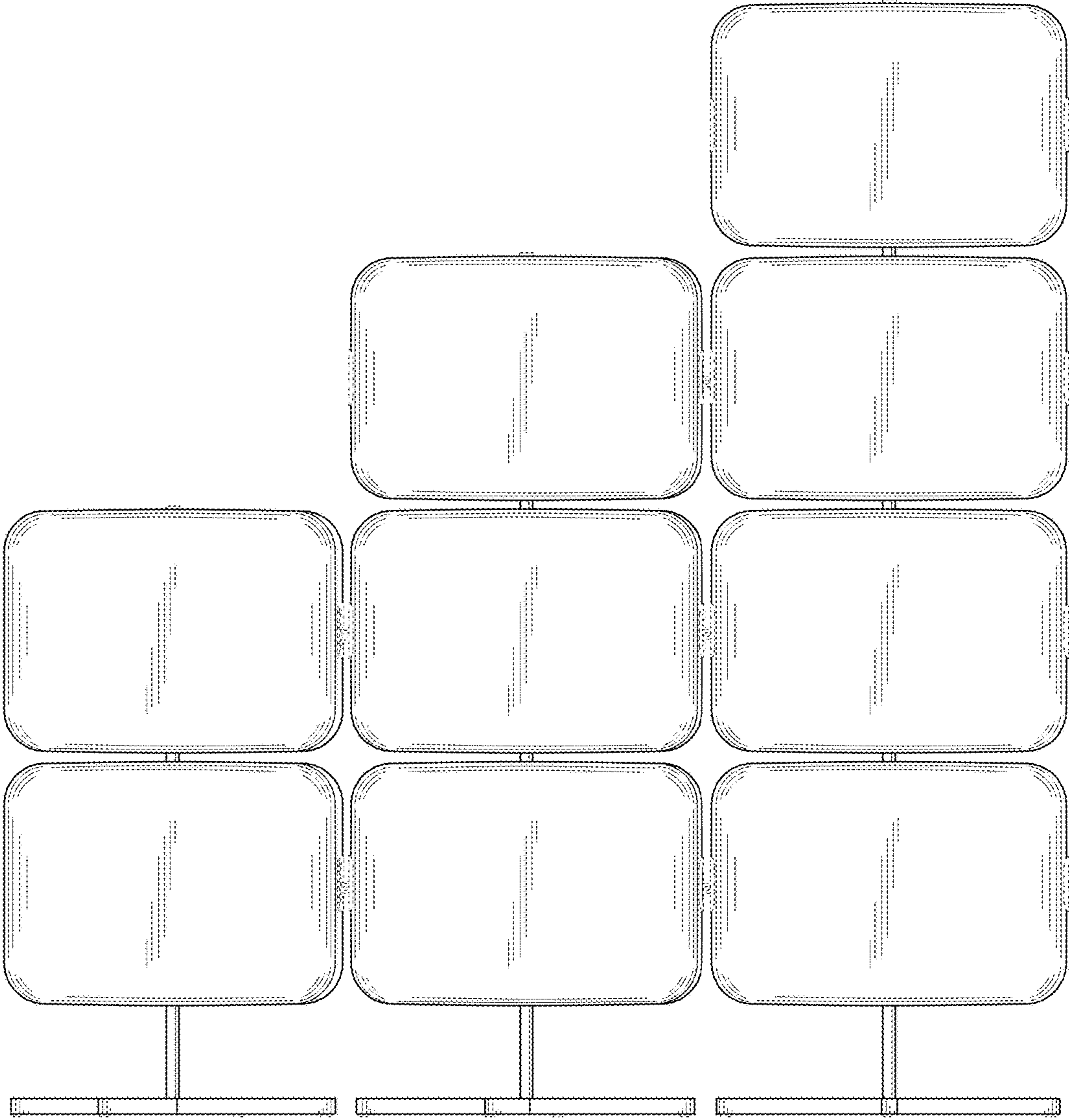
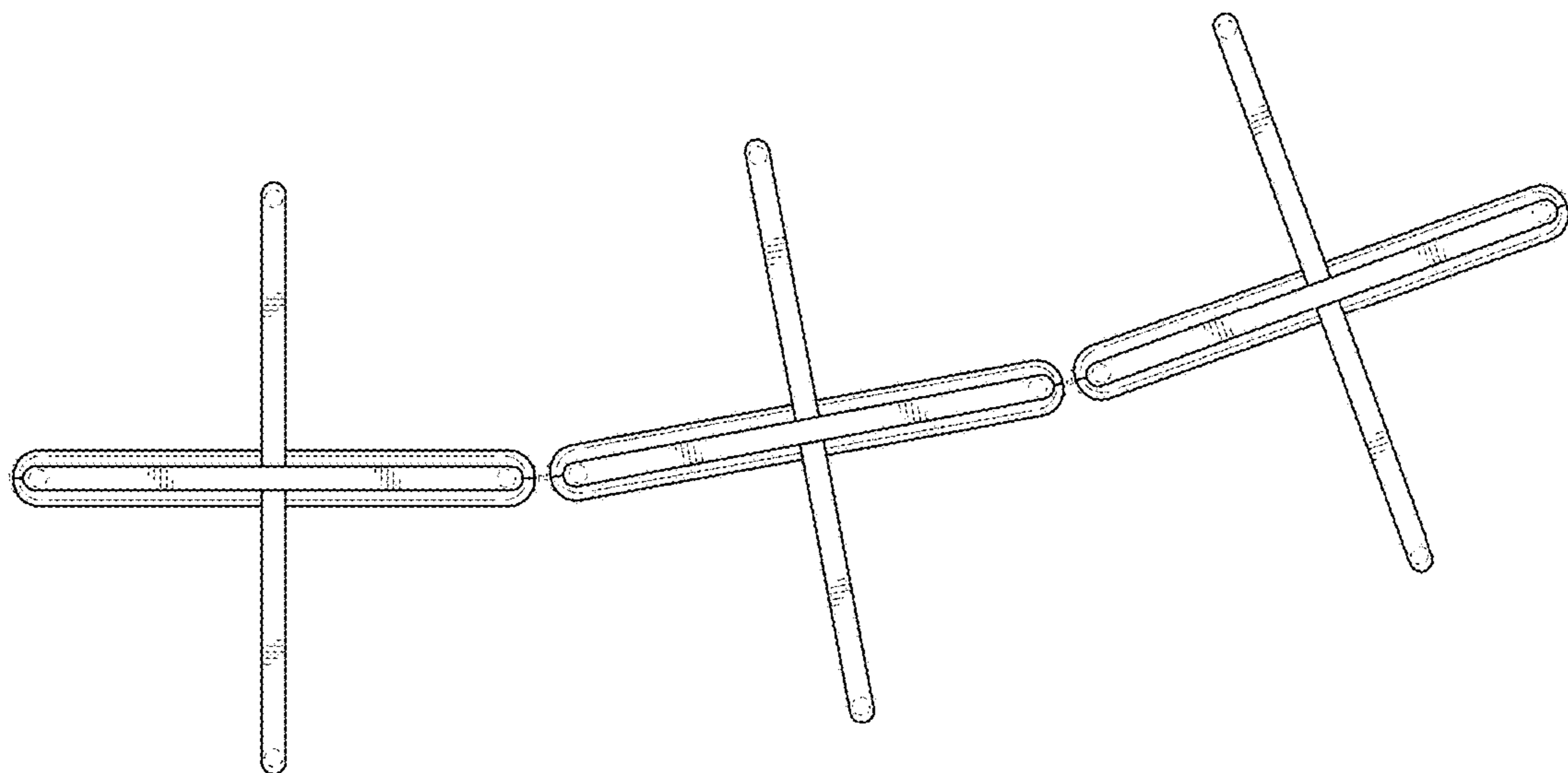
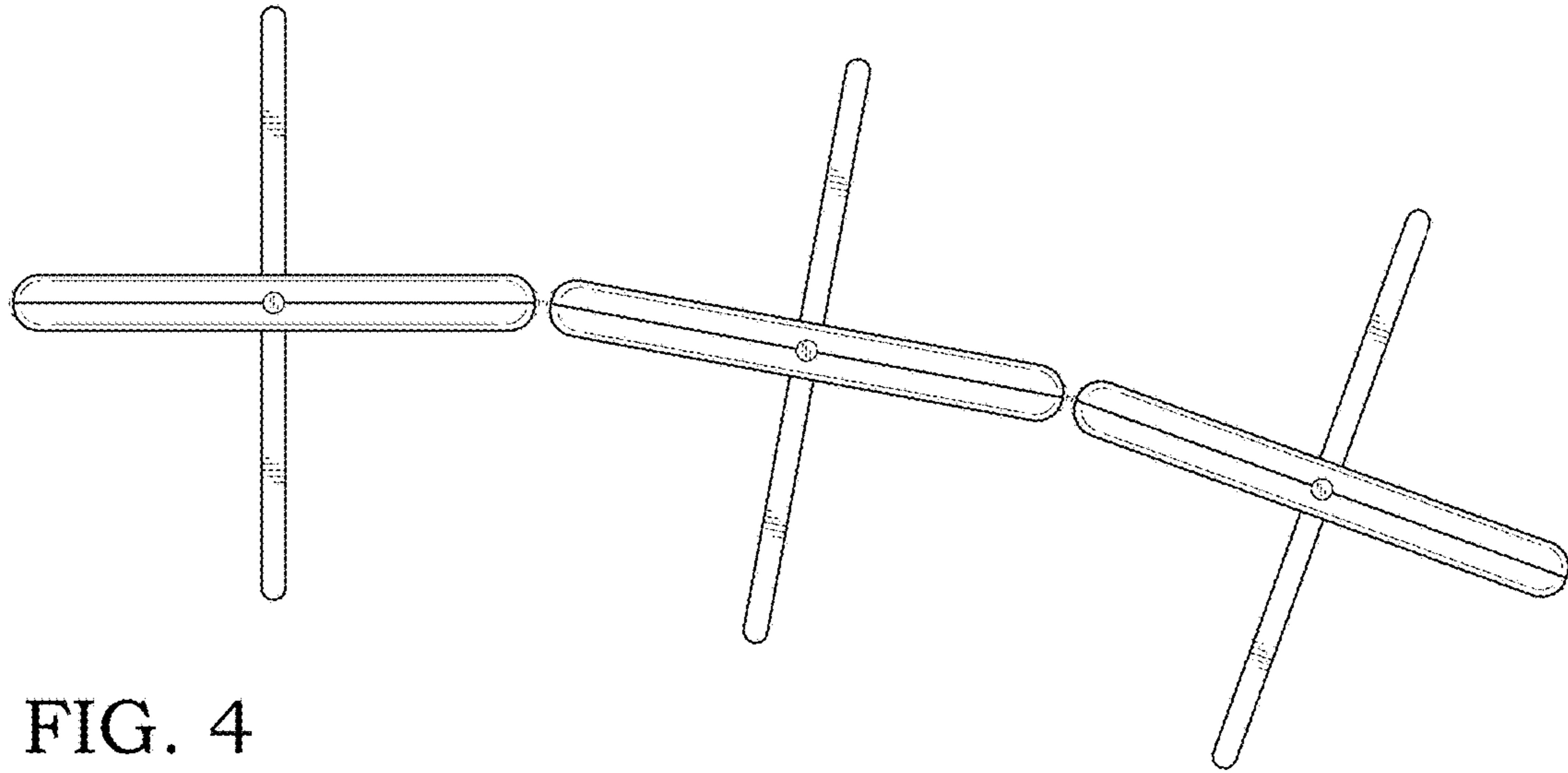


FIG. 3



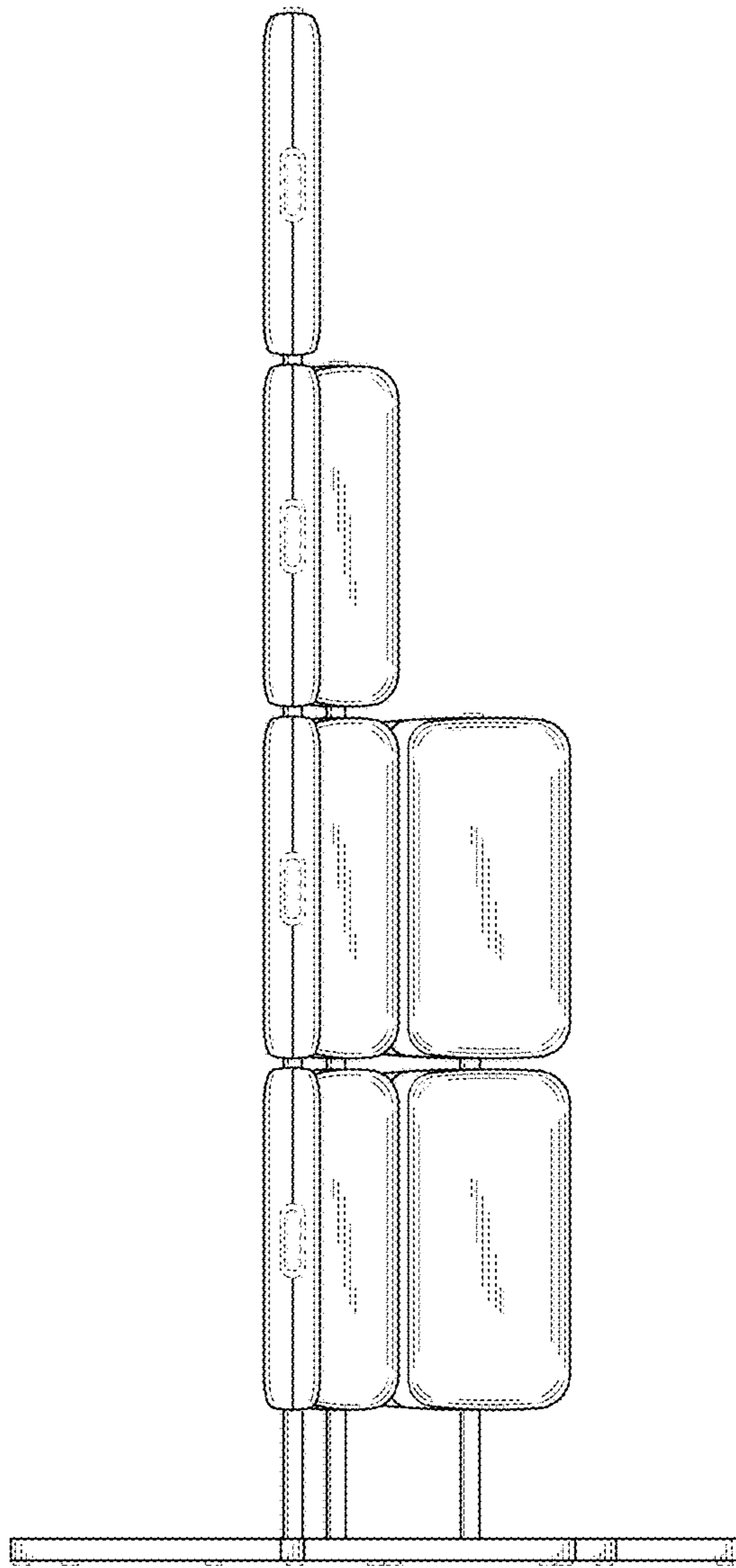


FIG. 6

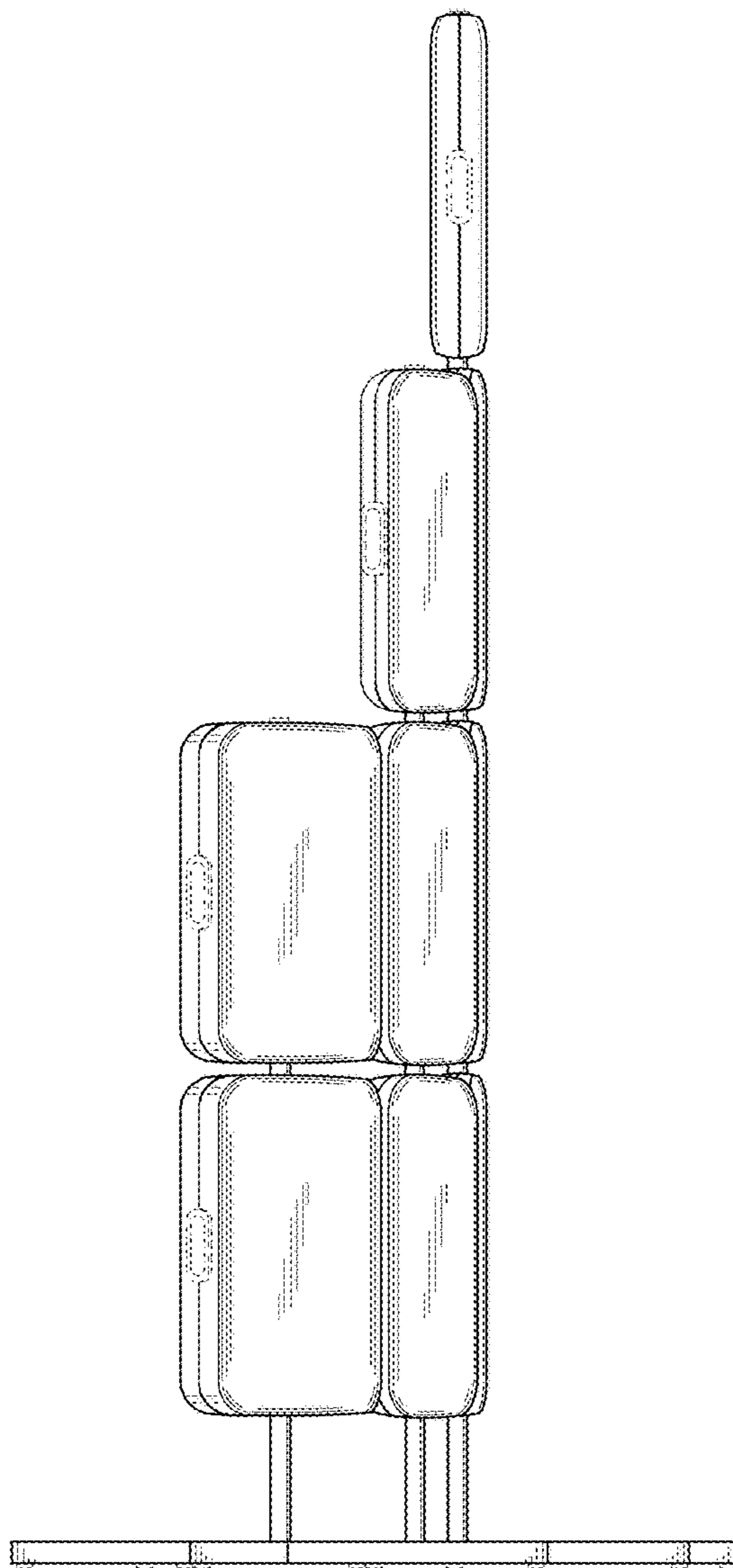


FIG. 7