



US00D827309S

(12) **United States Design Patent** (10) **Patent No.:** **US D827,309 S**  
**Nicoline** (45) **Date of Patent:** **\*\* Sep. 4, 2018**

(54) **MAKEUP BRUSH**  
(71) Applicant: **Paris Presents Incorporated**, Gurnee, IL (US)  
(72) Inventor: **Alyssa Carolyn Nicoline**, McHenry, IL (US)  
(73) Assignee: **PARIS PRESENTS INCORPORATED**, Gurnee, IL (US)

D275,040 S 8/1984 Holloway  
D278,951 S 5/1985 Kalinsky  
D278,952 S 5/1985 Kalinsky  
D304,392 S 11/1989 Reich  
D312,729 S 12/1990 Auttajark  
D327,979 S 7/1992 Carranza  
D346,277 S 4/1994 Sherman et al.  
D361,236 S 8/1995 Murgalo  
(Continued)

(\*\*) Term: **15 Years**

(21) Appl. No.: **29/596,356**

(22) Filed: **Mar. 7, 2017**

(51) **LOC (11) Cl.** ..... **04-99**

(52) **U.S. Cl.**  
USPC ..... **D4/138**

(58) **Field of Classification Search**  
USPC ..... D4/104, 110, 114, 116, 118, 119, 120, D4/121, 127, 128, 138, 132, 135, 199; D28/7, 57, 30, 73, 75, 76, 77, 89; D8/80, D8/83, 94, 107, 300, 301; D24/180; D32/51, 52; D19/108, 115, 125; 15/106, 15/159.1, 160, 176.1, 184, 190-194; 132/289, 294, 298, 313, 317, 320  
CPC ..... A46B 5/00; A46B 5/0016; A46B 5/26; A46B 5/005; A46B 2200/20; A46B 2200/104; A46B 2200/1046; A46B 2200/202; A46B 2200/108; A46B 2200/1086; A46B 2200/1093; A46B 17/04; A46B 11/00; A46B 11/001; A46B 11/0003; A46B 11/0006; A46B 11/0013; A46B 15/0055; A46B 15/0061; A46B 7/026; A61C 3/00; A61M 35/003; B05C 17/0205; B05C 17/04; B05C 1/06  
See application file for complete search history.

(56) **References Cited**

U.S. PATENT DOCUMENTS

D238,631 S 2/1976 Leighton  
D258,240 S 2/1981 Takada

FOREIGN PATENT DOCUMENTS

WO 2012142545 10/2012

*Primary Examiner* — Wan Laymon  
*Assistant Examiner* — Clint A Samuel

(74) *Attorney, Agent, or Firm* — Quarles & Brady LLP

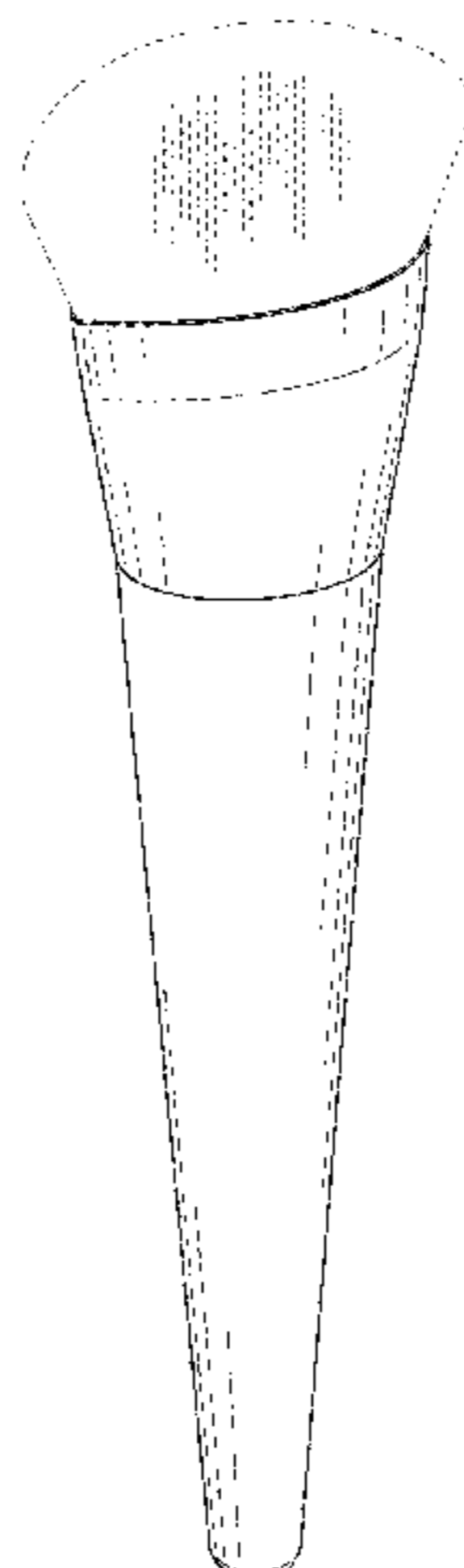
(57) **CLAIM**

The ornamental design for a makeup brush, as shown and described.

**DESCRIPTION**

FIG. 1 is an isometric view of a front, top, and right side of an ornamental design for a makeup brush;  
FIG. 2 is a front elevational view of the makeup brush of FIG. 1;  
FIG. 3 is a rear elevational view of the makeup brush of FIG. 1;  
FIG. 4 is a right side elevational view of the makeup brush of FIG. 1;  
FIG. 5 is a left side elevational view of the makeup brush of FIG. 1;  
FIG. 6 is a top plan view of the makeup brush of FIG. 1; and, FIG. 7 is a bottom plan view of the makeup brush of FIG. 1.  
The dash-dash-dash-dash lines are for the purpose of illustrating environmental structure and form no part of the claimed design.

**1 Claim, 4 Drawing Sheets**



(56)

References Cited

U.S. PATENT DOCUMENTS

5,542,144 A *	8/1996	Forsline .....	A46D 1/00 132/320	D699,041 S	2/2014	Waitesmith	
D376,696 S	12/1996	Vogel		D706,542 S	6/2014	Lavigne	
D376,910 S	12/1996	Tuchman		D718,060 S	11/2014	Filho et al.	
D386,311 S	11/1997	Moskovich		D718,941 S	12/2014	Matsuishi	
D395,552 S	6/1998	Cunningham		D743,632 S	11/2015	Schlickman	
5,926,903 A *	7/1999	Kim .....	A46B 5/0095 15/176.1	D746,010 S	12/2015	Xavier et al.	
6,039,051 A *	3/2000	Dorf .....	A45D 40/28 132/313	D747,835 S	1/2016	Barnard et al.	
D427,777 S	7/2000	Kim		D749,327 S	2/2016	Thierer et al.	
D430,608 S	9/2000	Kriegelstein et al.		D749,858 S	2/2016	Snook	
D435,349 S	12/2000	Kim		D749,859 S	2/2016	Snook	
D451,285 S	12/2001	Andersson		D750,383 S	3/2016	Serrano	
D452,948 S	1/2002	Andersson		D752,149 S	3/2016	Fairweather	
D458,761 S *	6/2002	Mason .....	D4/135	D756,127 S	5/2016	Nicoline	
6,513,183 B2	2/2003	Dorf		D756,661 S	5/2016	Waitesmith	
D478,213 S	8/2003	Ping		D757,441 S	5/2016	Hwang	
6,779,532 B2	8/2004	Dorf		D757,443 S	5/2016	Waitesmith	
D516,257 S	2/2006	Brackett et al.		D757,447 S	5/2016	White	
D527,188 S	8/2006	Langer		D762,988 S	8/2016	Xavier et al.	
D528,304 S	9/2006	Langer		D763,676 S	8/2016	Filho et al.	
D528,305 S	9/2006	Langer		D764,807 S	8/2016	Waitesmith	
D529,292 S	10/2006	Langer		D765,421 S	9/2016	Cole	
D529,293 S	10/2006	Langer		D766,586 S	9/2016	Hwang	
D529,719 S	10/2006	Langer		D767,903 S	10/2016	Lim	
D530,097 S	10/2006	Langer		D768,998 S	10/2016	Kim et al.	
D530,519 S	10/2006	Langer		D771,389 S	11/2016	Since	
D541,979 S	5/2007	Montoli		D776,440 S	1/2017	Jain	
D571,105 S	6/2008	Godin		D776,941 S *	1/2017	Nicoline .....	D4/138
D571,559 S	6/2008	Riaz		D778,067 S	2/2017	Jain	
D572,010 S	7/2008	Riaz		D778,617 S	2/2017	Jain	
D573,348 S	7/2008	Dumler et al.		D778,618 S	2/2017	Jain	
D573,349 S	7/2008	Dumler et al.		D778,619 S	2/2017	Jain	
D574,154 S	8/2008	Dumler et al.		D778,620 S	2/2017	Jain	
D574,155 S	8/2008	Dumler et al.		D778,621 S	2/2017	Jain	
7,416,080 B1 *	8/2008	Langer .....	A45D 33/00 206/15.2	D778,623 S	2/2017	Jain	
D598,655 S	8/2009	Thorpe		D779,137 S	2/2017	Taylor	
D599,113 S	9/2009	Jackel-Marken		D779,213 S	2/2017	Jain	
RE41,710 E	9/2010	Dumler et al.		D782,138 S	3/2017	Xavier et al.	
RE41,711 E	9/2010	Dumler et al.		D782,198 S	3/2017	Hwang	
D625,522 S	10/2010	Riaz		D782,199 S	3/2017	Hwang	
D627,977 S	11/2010	Magallanes Orozco		D782,201 S	3/2017	Hwang	
D628,811 S	12/2010	Masuyama		D782,730 S *	3/2017	Zhang .....	D28/7
D630,437 S	1/2011	Carey		D782,826 S	4/2017	Kim et al.	
D631,666 S	2/2011	Lim		D783,291 S	4/2017	Lin	
D632,086 S	2/2011	Kulik		9,642,441 B1 *	5/2017	Ajootian .....	A45D 40/262
D634,127 S	3/2011	Burgess et al.		D788,471 S *	6/2017	Dunaway .....	D4/135
D642,805 S	8/2011	Burgess et al.		D793,090 S *	8/2017	Allen .....	D4/127
D645,665 S	9/2011	Del Ponte		D794,966 S *	8/2017	Salm .....	D4/138
D655,006 S	2/2012	Rajaiah et al.		D802,938 S *	11/2017	Nicoline .....	D4/135
D658,385 S	5/2012	Lim et al.		2002/0083953 A1	7/2002	Dort	
8,230,543 B2	7/2012	Shrier		2010/0236004 A1 *	9/2010	Xu .....	A46B 5/0095 15/160
D666,008 S *	8/2012	Boudreau .....	D4/135	2011/0017226 A1 *	1/2011	Choi .....	A45D 20/52 132/120
D676,663 S	2/2013	Ptok et al.		2011/0174680 A1 *	7/2011	Arvin .....	A45D 33/00 206/581
D676,666 S	2/2013	Nelson		2012/0298130 A1 *	11/2012	Telwar .....	A46B 3/08 132/317
D677,904 S	3/2013	Hammer		2016/0128445 A1 *	5/2016	Lim .....	A45D 33/36 132/317
D678,682 S	3/2013	Hammer		2016/0262528 A1 *	9/2016	Telwar .....	A46B 3/10
D678,683 S	3/2013	Hammer		2017/0188691 A1 *	7/2017	Richards .....	A46B 5/0095
D678,684 S	3/2013	Hammer		2017/0265637 A1 *	9/2017	Telwar .....	A46B 9/021

\* cited by examiner

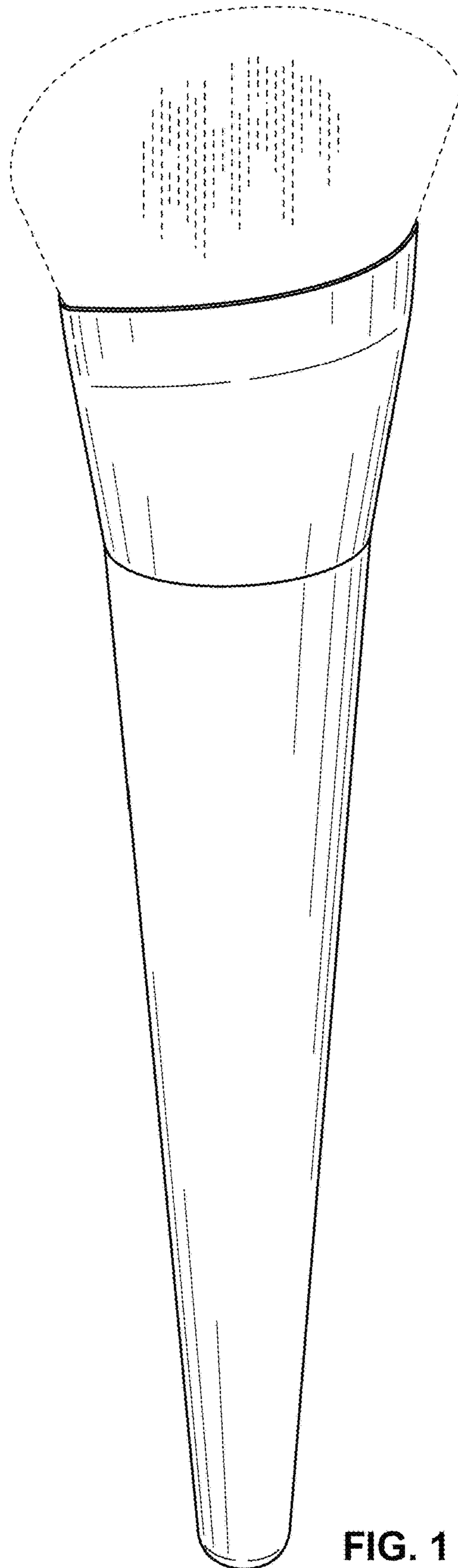


FIG. 1

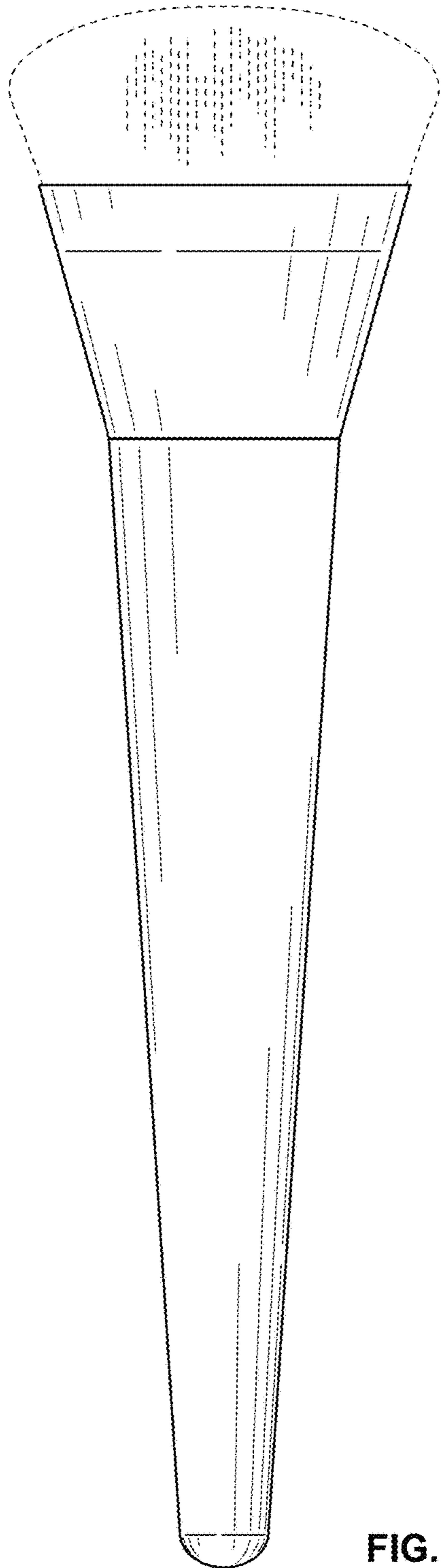


FIG. 2

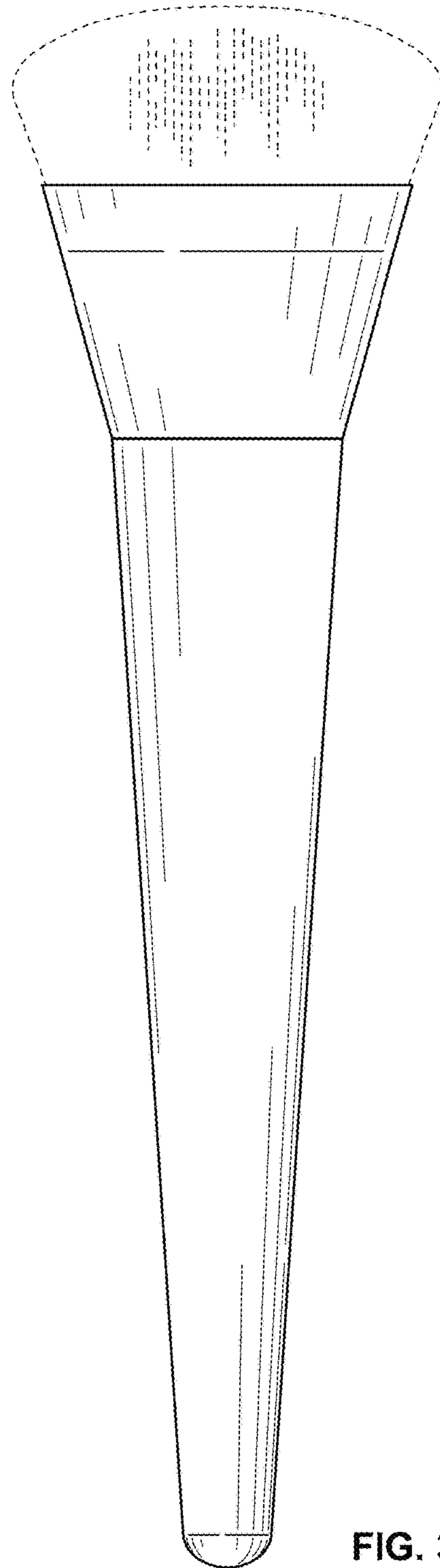


FIG. 3

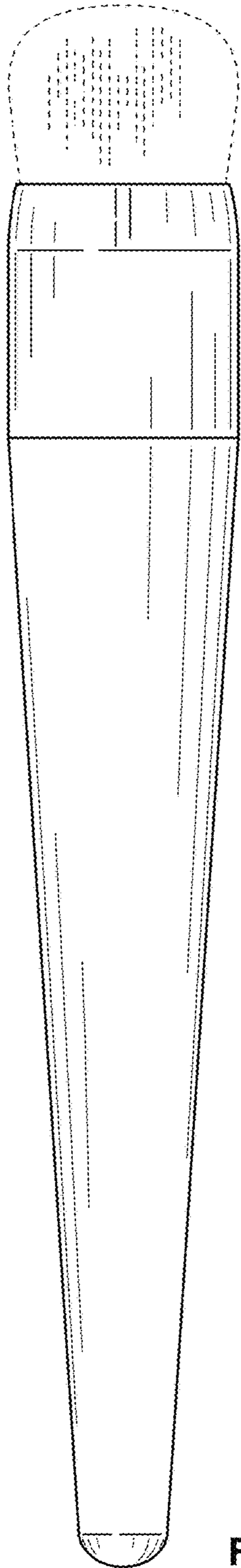


FIG. 4

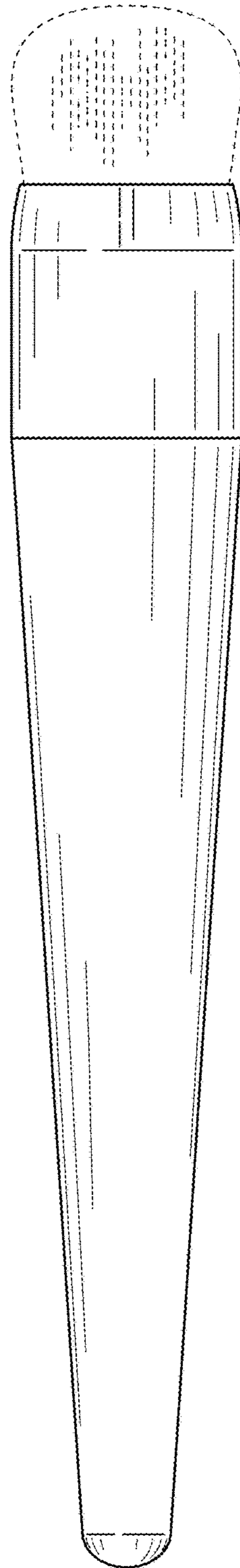
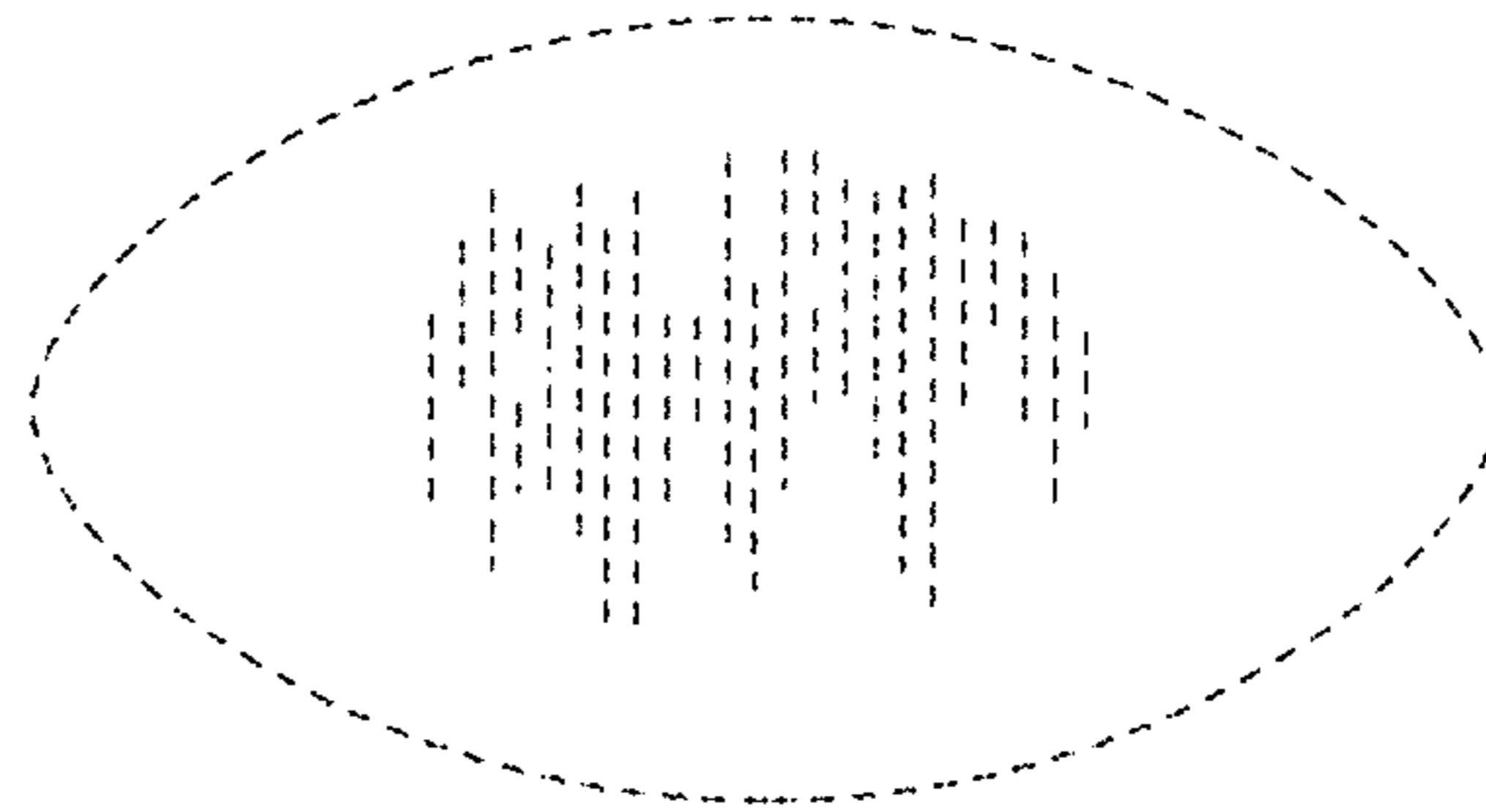
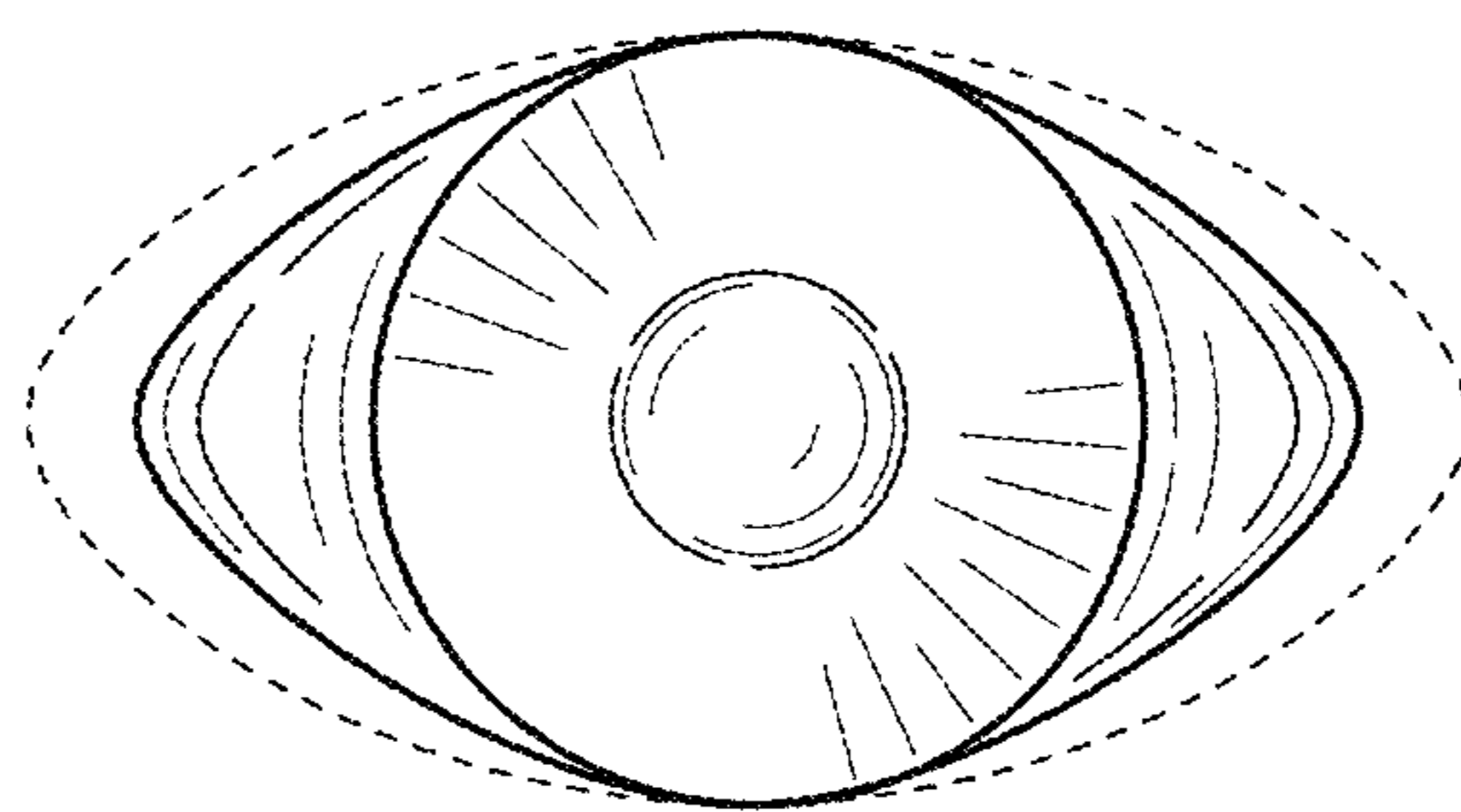


FIG. 5



**FIG. 6**



**FIG. 7**