



US00D827307S

(12) **United States Design Patent** (10) **Patent No.:** **US D827,307 S**
Chitayat et al. (45) **Date of Patent:** **** Sep. 4, 2018**

(54) **HOUSEHOLD DETAIL BRUSH** 7,552,498 B2 * 6/2009 Welsh A46B 5/002
15/143.1
(71) Applicant: **FC Brands Limited**, Central Hong D598,203 S * 8/2009 McNeil D4/134
Kong (HK) D619,811 S * 7/2010 Gringer D4/134
D685,192 S * 7/2013 Tronconi D4/132
D762,392 S * 8/2016 Chitayat D4/118
(72) Inventors: **David Denny Chitayat**, Shanghai D800,457 S * 10/2017 Kaicker D4/138
(CN); **Pieter Schouten**, Berkeley, CA D813,471 S * 3/2018 Razgour D30/159
(US); **Heather Tomasetti Kauffman**, D813,553 S * 3/2018 Ford D4/134
Larchmont, NY (US); **Tal Chitayat**, 2003/0000037 A1 * 1/2003 Carr A46B 5/00
New York, NY (US) 15/159.1

(73) Assignee: **FC Brands Limited**, Central Hong Kong (HK)
(**) Term: **15 Years**
(21) Appl. No.: **29/593,605**
(22) Filed: **Feb. 10, 2017**
(51) **LOC (11) Cl.** **04-99**
(52) **U.S. Cl.**
USPC **D4/134**
(58) **Field of Classification Search**
USPC D4/116, 118, 130, 132, 134, 138;
D32/50, 51, 52; D28/63; D8/DIG. 7,
D8/107; 15/159.1; 132/313; 119/612
CPC A46B 2200/00; A46B 2200/30; A46B
2200/40; A46B 2200/304; A46B
2200/405; A46B 2200/3033; A46B
2200/3046; A46B 2200/3073; Y10S
15/00; Y10S 15/05; Y10S 15/10
See application file for complete search history.

(56) **References Cited**
U.S. PATENT DOCUMENTS
D197,506 S * 2/1964 Lardenois D4/134
D441,962 S * 5/2001 Gringer D4/134
D495,881 S * 9/2004 Berti D4/138
D513,127 S * 12/2005 Hay D4/115
D555,363 S * 11/2007 Arvinte D4/134
D565,846 S * 4/2008 Holcomb D4/114
D575,523 S * 8/2008 Libman D4/132
D575,527 S * 8/2008 Libman D4/134

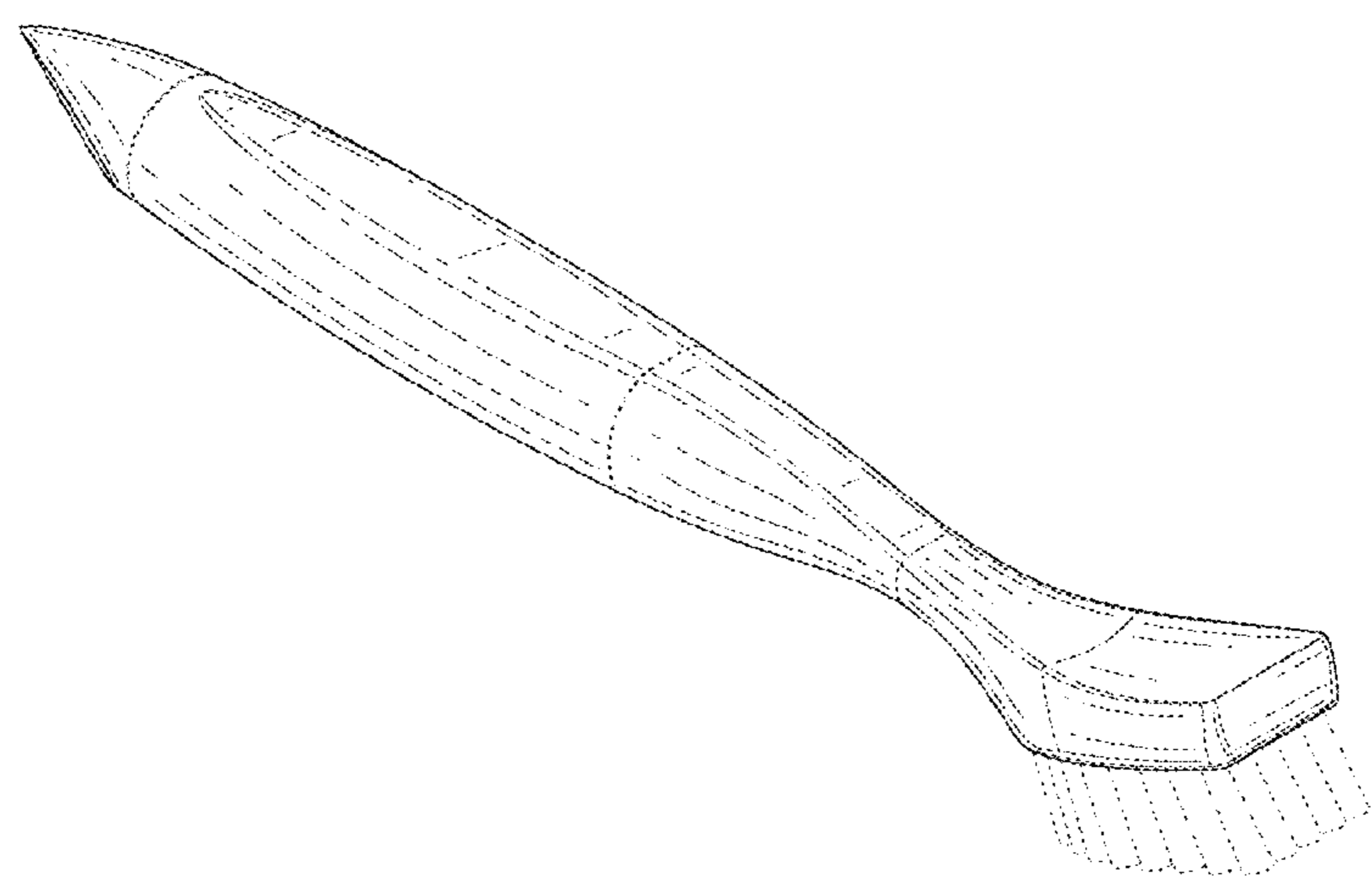
OTHER PUBLICATIONS
OXO Good Grips Deep Clean Brush Set; Retrieved from www.amazon.com; Retrieved on Jun. 27, 2018; https://www.amazon.com/OXO-Grips-Clean-Brush-Orange/dp/B003M8GMS6/ref=sr_1_9?m=ATVPDKIKX0DER&s=honne-garden&ie=UTF8&qid=1530112237&sr=1-9&refinements=p_89%3AOXO; Reviewed Jan. 30, 2013 (Year: 2013).*

* cited by examiner
Primary Examiner — Wan Laymon
Assistant Examiner — Clint A Samuel
(74) *Attorney, Agent, or Firm* — Pierce Atwood LLP

(57) **CLAIM**
The ornamental design for a household detail brush, as shown and described.

DESCRIPTION
FIG. 1 is a front perspective view of a household detail brush showing the design;
FIG. 2 is a left elevation view thereof;
FIG. 3 is a right elevation view thereof;
FIG. 4 is a front elevation view thereof;
FIG. 5 is a rear elevation view thereof;
FIG. 6 is a top plan view thereof; and,
FIG. 7 is a bottom plan view thereof.
Broken lines in the drawings are for the purpose of illustrating environmental structure and form no part of the claimed design.

1 Claim, 4 Drawing Sheets



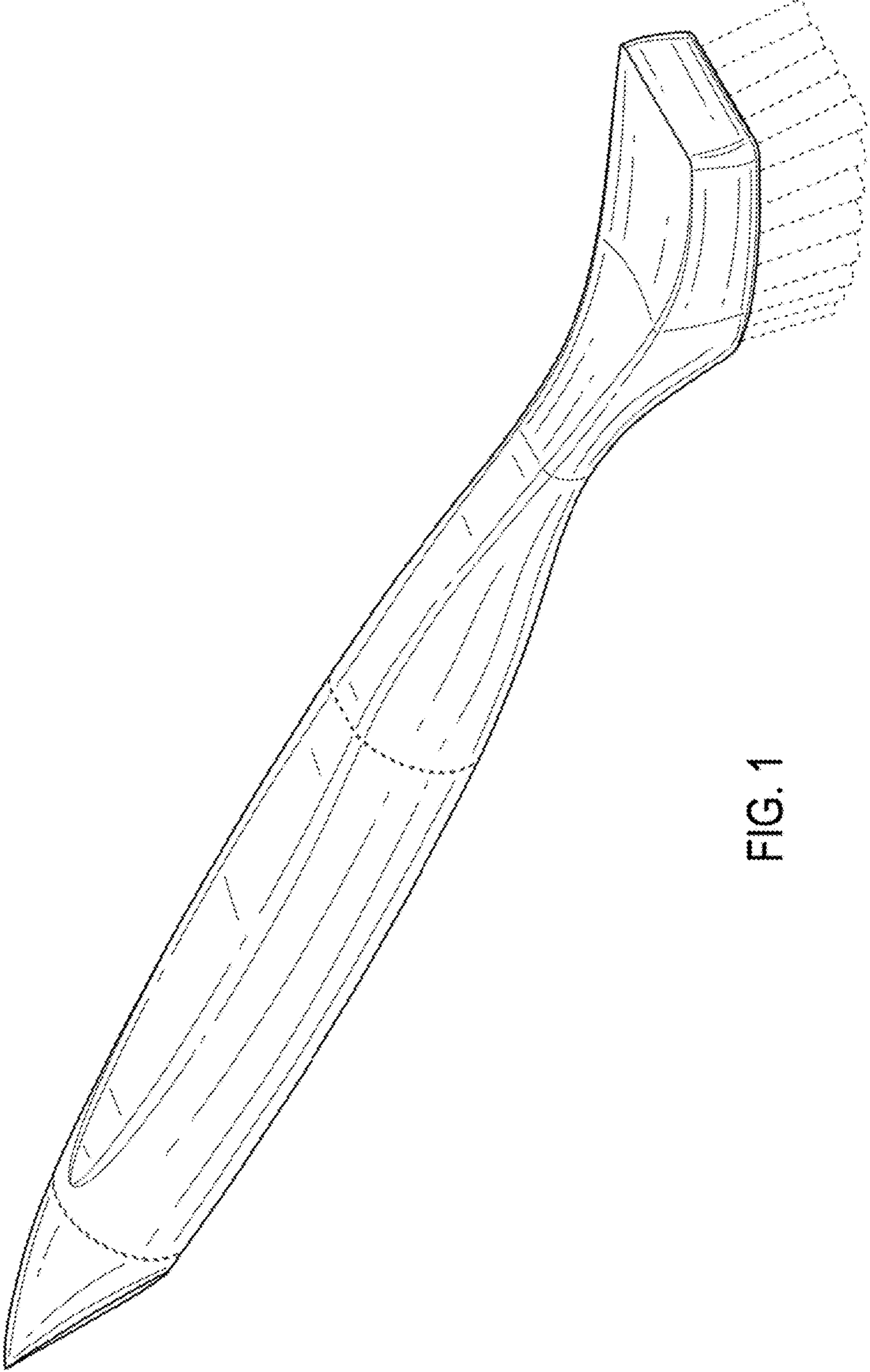


FIG. 1

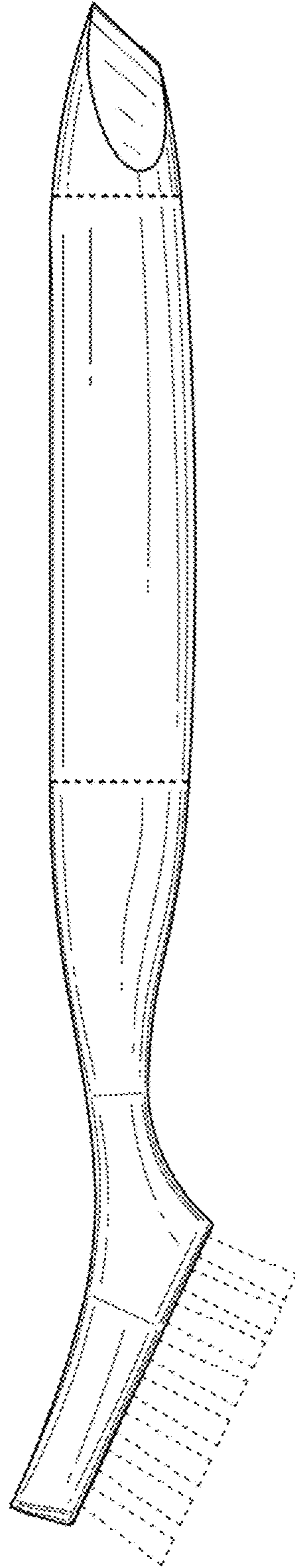


FIG. 2

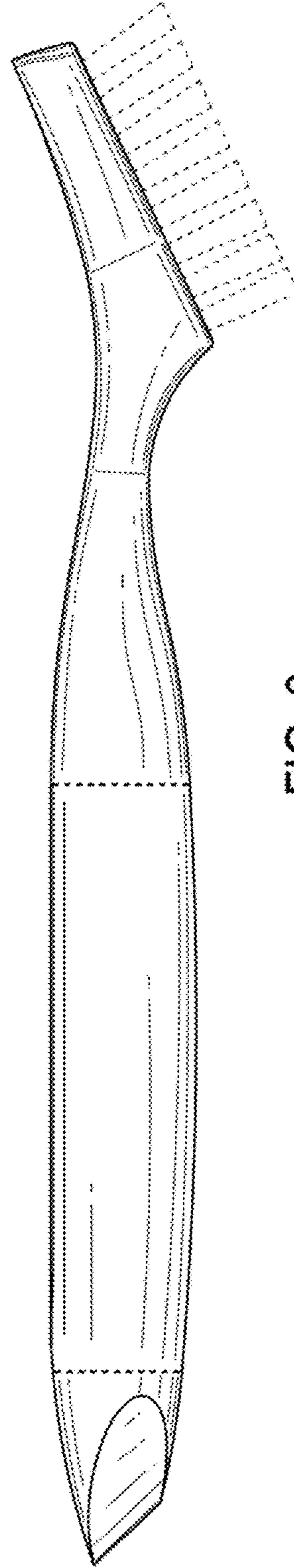


FIG. 3

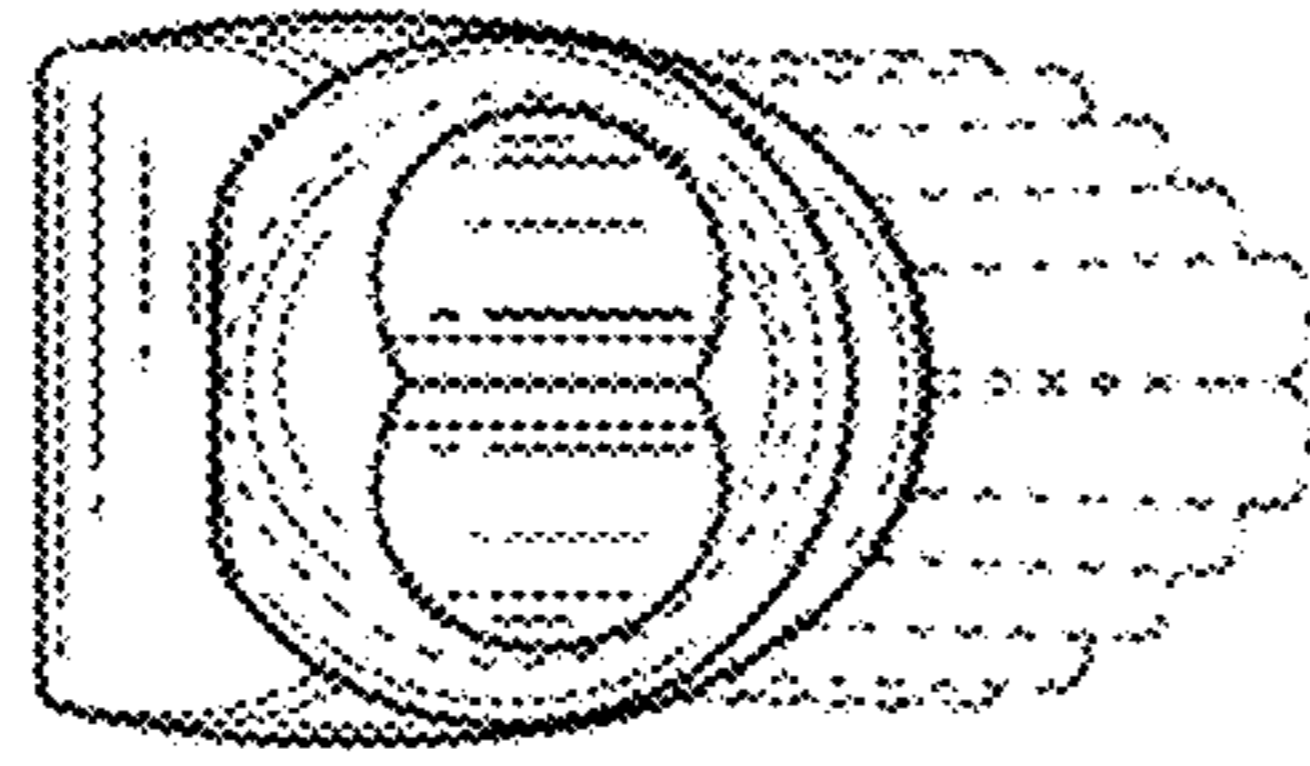


FIG. 5

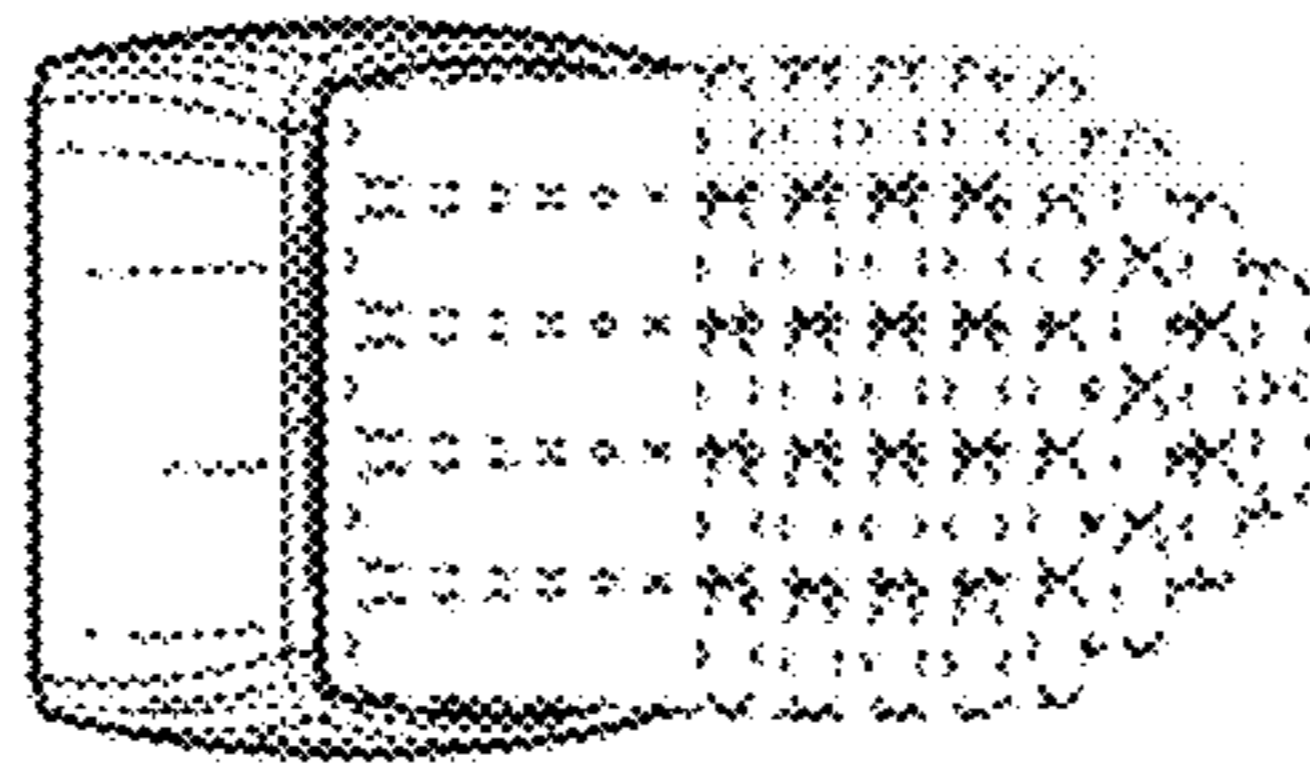


FIG. 4

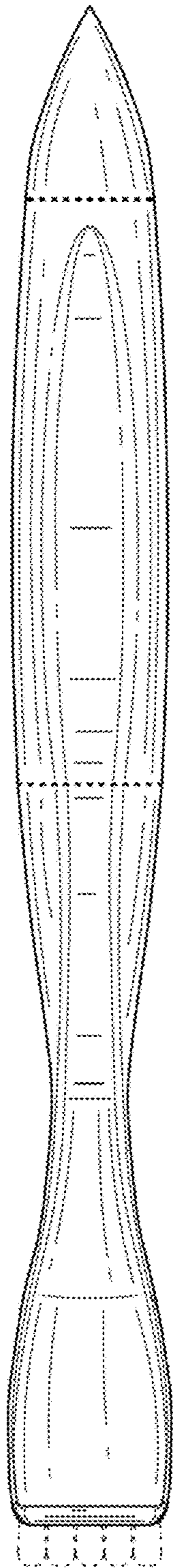


FIG. 6

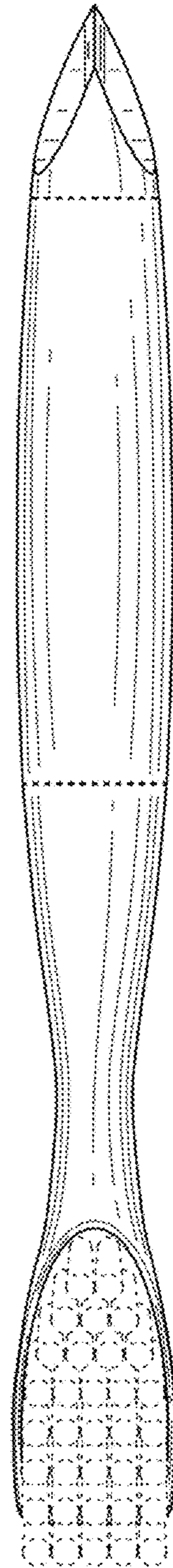


FIG. 7